



US00D780329S

(12) **United States Design Patent** (10) **Patent No.:** **US D780,329 S**
Li (45) **Date of Patent:** **** Feb. 28, 2017**

(54) **GUIDE RAIL FOR SOLAR BRACKET**
(71) Applicant: **Jiangsu Chiko Solar Co., Ltd**, Suqian, Jiangsu (CN)
(72) Inventor: **Jinbei Li**, Jiangsu (CN)
(73) Assignee: **JIANGSU CHIKO SOLAR CO., LTD**, Suqian (CN)
(**) Term: **15 Years**
(21) Appl. No.: **29/536,671**
(22) Filed: **Aug. 19, 2015**

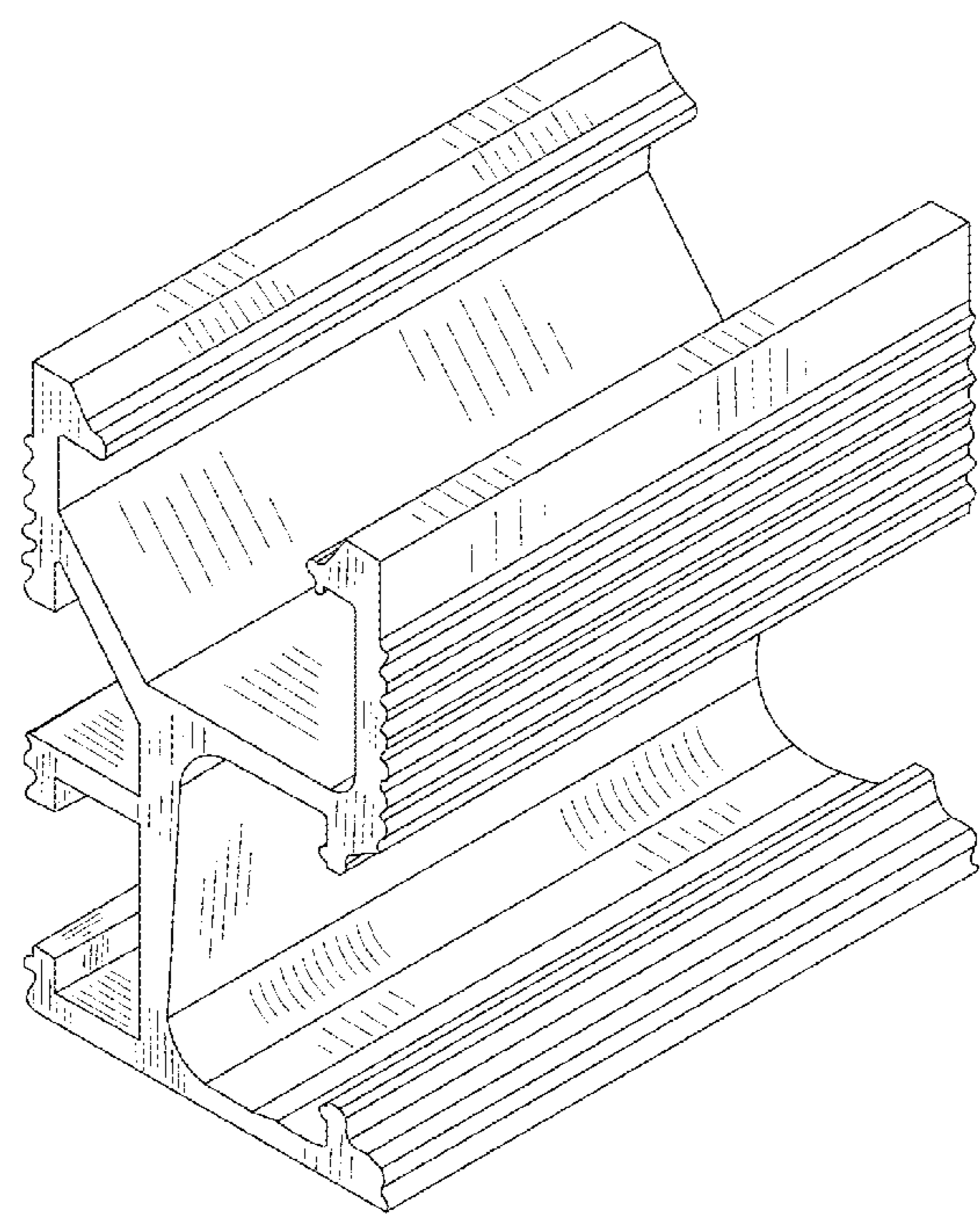
(30) **Foreign Application Priority Data**
Jul. 1, 2015 (CN) 2015 3 0229083
(51) **LOC (10) Cl.** **25-01**
(52) **U.S. Cl.**
USPC **D25/119**
(58) **Field of Classification Search**
USPC D25/119-125, 69, 56, 48.8, 47, 49, 60, D25/141, 138, 58, 38.1, 135, 136, 35, 61; 52/179, 506.06, 506.07, 716.1, 579, 578, 52/506.05, 489.1, 309.14, 518, 555, 52/204.59, 204.5; 40/658, 666, 426, 549, 40/761; 248/226.11, 121, 200, 73, 214, 248/237, 500, 230.2; 136/244; 29/525.01
CPC Y02E 10/47; F24J 2002/4663; F24J 2002/5213; F24J 2/5262
See application file for complete search history.

(56) **References Cited**
U.S. PATENT DOCUMENTS
D423,115 S * 4/2000 Rothschild D25/121
D675,046 S * 1/2013 Kloppers D25/125
8,413,944 B2 * 4/2013 Harberts F24J 2/5205
248/500
8,640,401 B2 * 2/2014 Hong F24J 2/5205
248/230.2
9,249,994 B2 * 2/2016 Zuritis
2007/0204553 A1 * 9/2007 Bunker E06B 3/88
52/716.1
2014/0041202 A1 * 2/2014 Schnitzer F24J 2/5249
29/525.01
2014/0338273 A1 * 11/2014 Stapleton F24J 2/5249
52/173.3
2015/0060619 A1 * 3/2015 Krannich F24J 2/5247
248/237

* cited by examiner
Primary Examiner — Cynthia Ramirez
Assistant Examiner — Gino Colan

(57) **CLAIM**
The ornamental design for a guide rail for solar bracket, as shown and described.

DESCRIPTION
FIG. 1 is a front elevational view of a guide rail for solar bracket showing my new design;
FIG. 2 is a rear elevational view thereof;
FIG. 3 is a first perspective view thereof; and,
FIG. 4 is a second perspective view thereof.
1 Claim, 4 Drawing Sheets



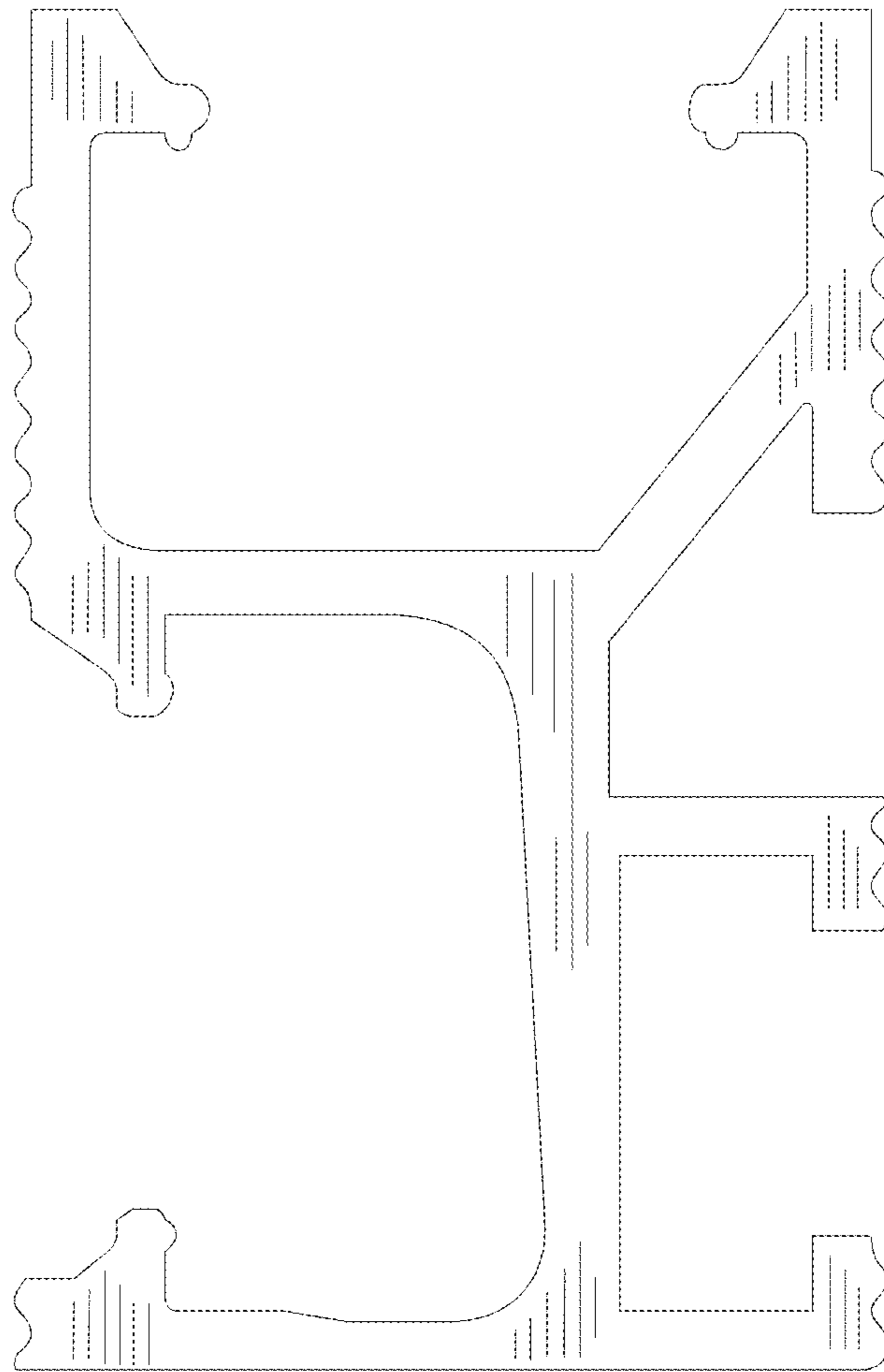


Fig. 1

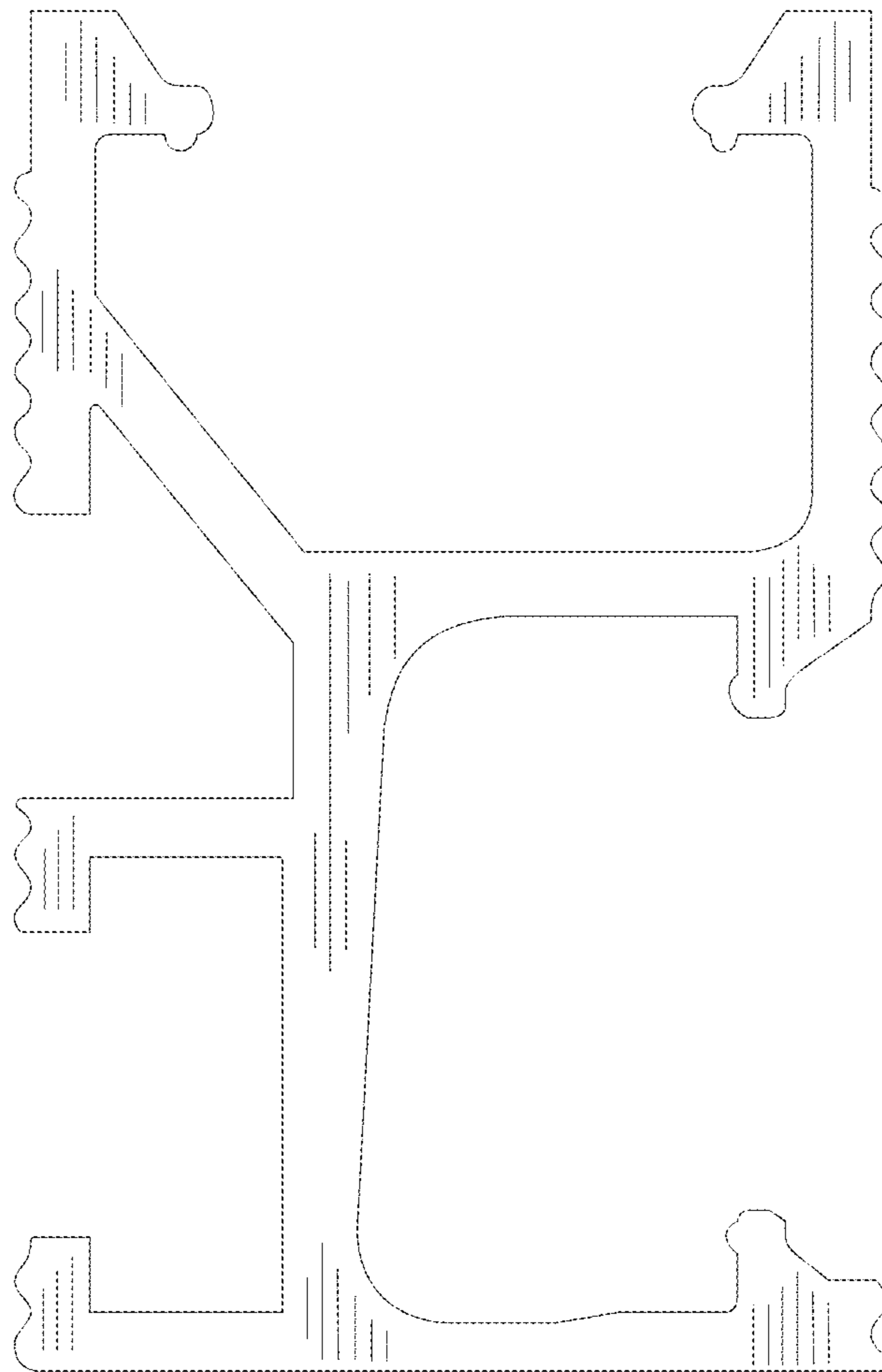


Fig. 2

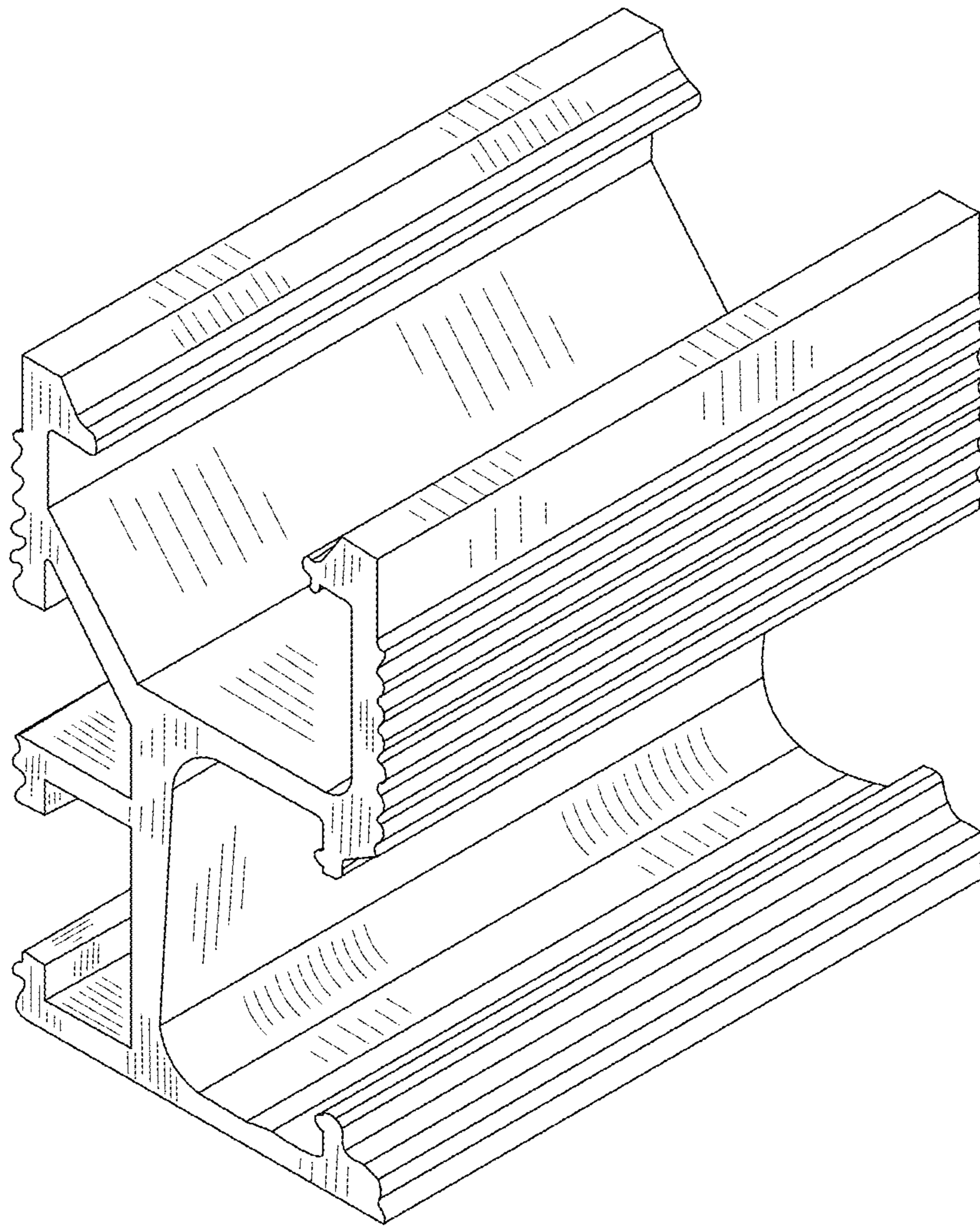


Fig. 3

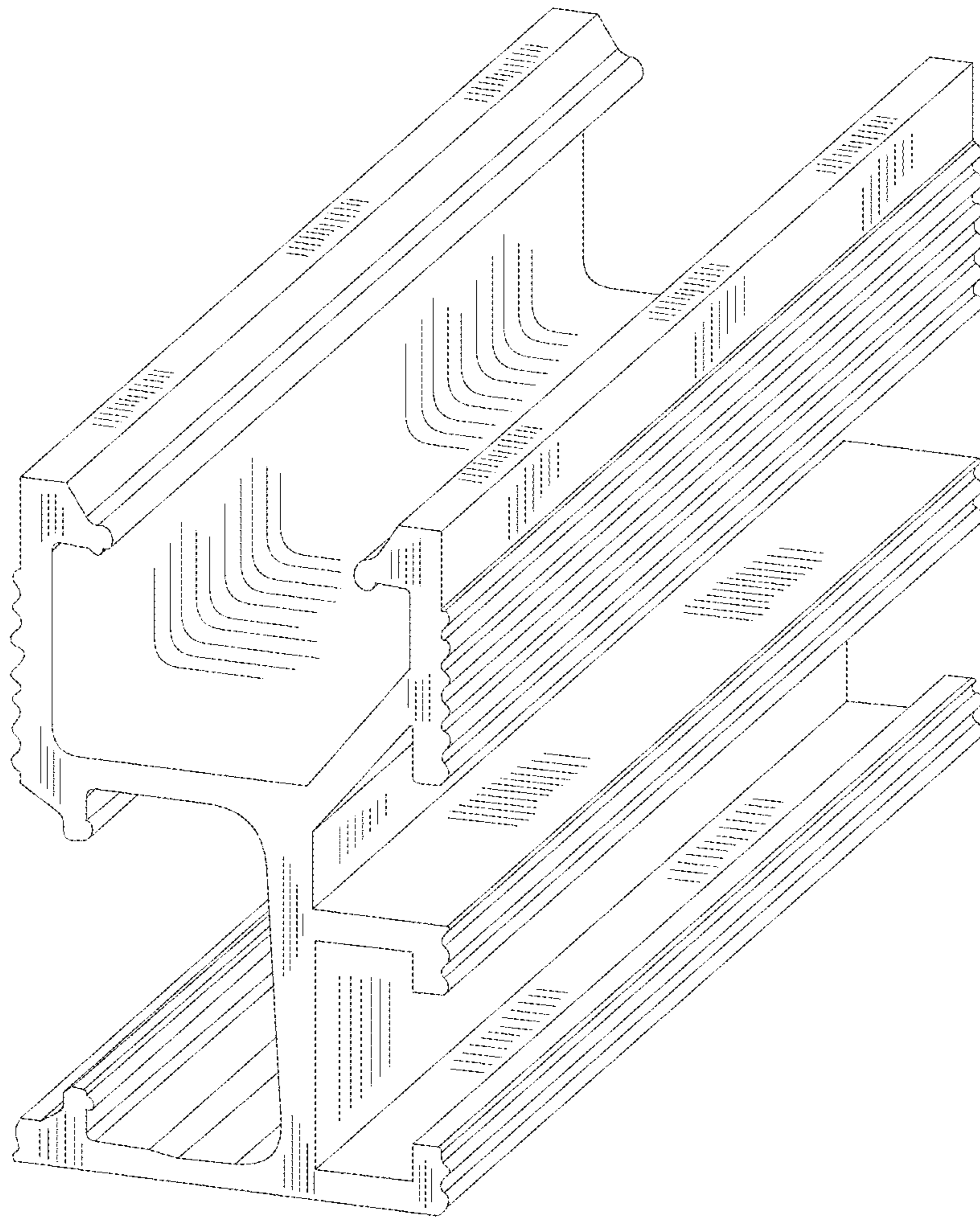


Fig. 4