



US00D780324S

(12) **United States Design Patent** (10) **Patent No.:** **US D780,324 S**  
**Wysock et al.** (45) **Date of Patent:** **\*\* Feb. 28, 2017**

- (54) **DOOR FACING**
- (71) Applicant: **Masonite Corporation**, Tampa, FL (US)
- (72) Inventors: **Gregory J. Wysock**, Huntley, IL (US);  
**Timothy D. Gouge**, Elgin, IL (US);  
**Patrick Ege**, Elmhurst, IL (US)
- (73) Assignee: **Masonite Corporation**, Tampa, FL (US)
- (\*\*) Term: **15 Years**
- (21) Appl. No.: **29/542,336**
- (22) Filed: **Oct. 13, 2015**

D530,431 S	10/2006	Walsh	
D565,744 S *	4/2008	Mock .....	D25/48.4
D576,315 S *	9/2008	Mock .....	D25/138
D582,565 S	12/2008	Colston	
D607,579 S	1/2010	Walsh et al.	
D616,109 S	5/2010	Steiber et al.	
D617,005 S	6/2010	Mullet	
D638,956 S	5/2011	Walsh et al.	
D716,471 S *	10/2014	Wysock .....	D25/48.3
D716,472 S *	10/2014	Wysock .....	D25/48.3
D716,473 S *	10/2014	Wysock .....	D25/48.3
D716,474 S *	10/2014	Wysock .....	D25/48.3
D740,964 S *	10/2015	Wysock .....	D25/48.3
D740,965 S *	10/2015	Wysock .....	D25/48.3

(Continued)

**Related U.S. Application Data**

- (63) Continuation of application No. 29/507,523, filed on Oct. 28, 2014, now Pat. No. Des. 740,965, which is a continuation of application No. 29/471,189, filed on Oct. 29, 2013, now Pat. No. Des. 716,471.
- (51) **LOC (10) Cl.** ..... **25-02**
- (52) **U.S. Cl.**  
USPC ..... **D25/48.3**
- (58) **Field of Classification Search**  
USPC ..... D25/48.3, 48.4, 48.5, 48.6, 48.7, 48.8,  
D25/138; 49/382, 501, 504, 506; 52/207,  
52/208, 311.2, 311.3, 313, 455-458, 474,  
52/475.1, 781, 784.16; 428/45  
CPC ..... E06B 3/72; E06B 3/78; E06B 3/485;  
E06B 3/4636; E06B 2003/7044; E06B  
1/04; E06B 5/00  
See application file for complete search history.

**References Cited**

**U.S. PATENT DOCUMENTS**

4,030,246 A 6/1977 Naylor  
5,614,231 A 3/1997 Rinker

**FOREIGN PATENT DOCUMENTS**

CN 301500424 \* 3/2011  
EM 000274733-0004 \* 3/2005

(Continued)

*Primary Examiner* — Susan Bennett Hattan  
*Assistant Examiner* — Leanne Was  
(74) *Attorney, Agent, or Firm* — Berenato & White, LLC

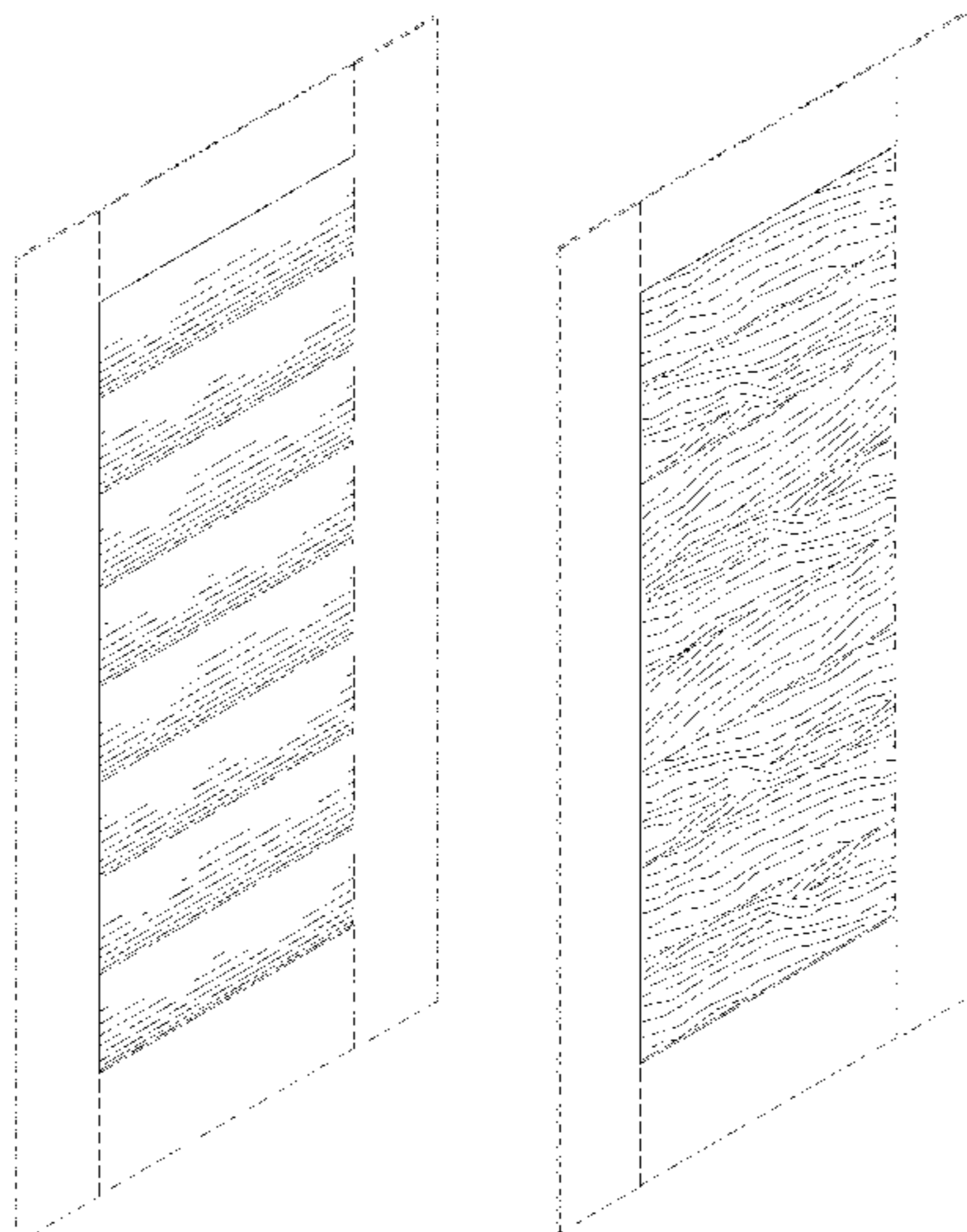
**CLAIM**

(57) The ornamental design for a door facing, as shown and described.

**DESCRIPTION**

FIG. 1 is a front perspective view of our design;  
FIG. 2 is a front elevational view;  
FIG. 3 is an enlarged fragmentary elevational view of a portion of FIG. 2;  
FIG. 4 a front perspective view of a second embodiment of our design;  
FIG. 5 is a front elevational view of FIG. 4; and,  
FIG. 6 is an enlarged fragmentary elevational view of a portion of FIG. 4.  
The broken lines are for environment and form no part of the claimed design.

**1 Claim, 6 Drawing Sheets**



(56)

**References Cited**

U.S. PATENT DOCUMENTS

D741,504 S \* 10/2015 Wysock ..... D25/48.3  
D742,033 S \* 10/2015 Wysock ..... D25/48.3  
2004/0139673 A1 7/2004 Luetgert et al.  
2011/0036036 A1 2/2011 Thompson et al.  
2011/0107703 A1 5/2011 Mullet

FOREIGN PATENT DOCUMENTS

WO D038516-001 \* 2/1997  
WO D038516-004 \* 2/1997

\* cited by examiner

Fig. 1

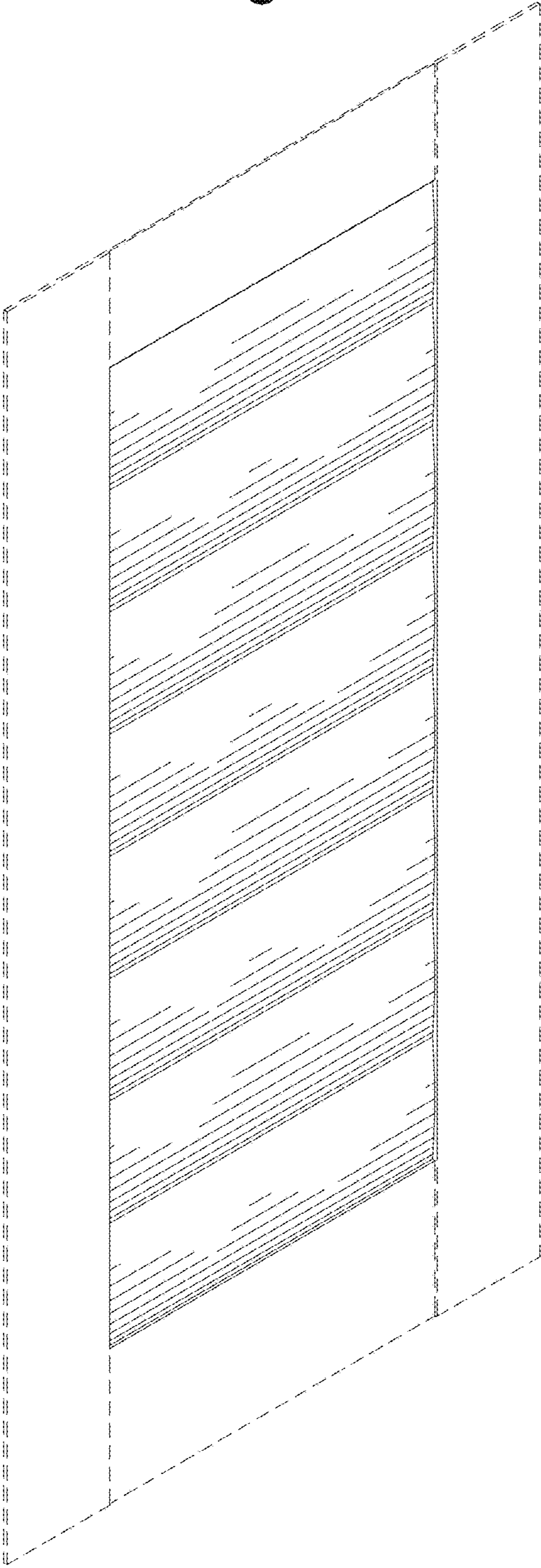


Fig. 2

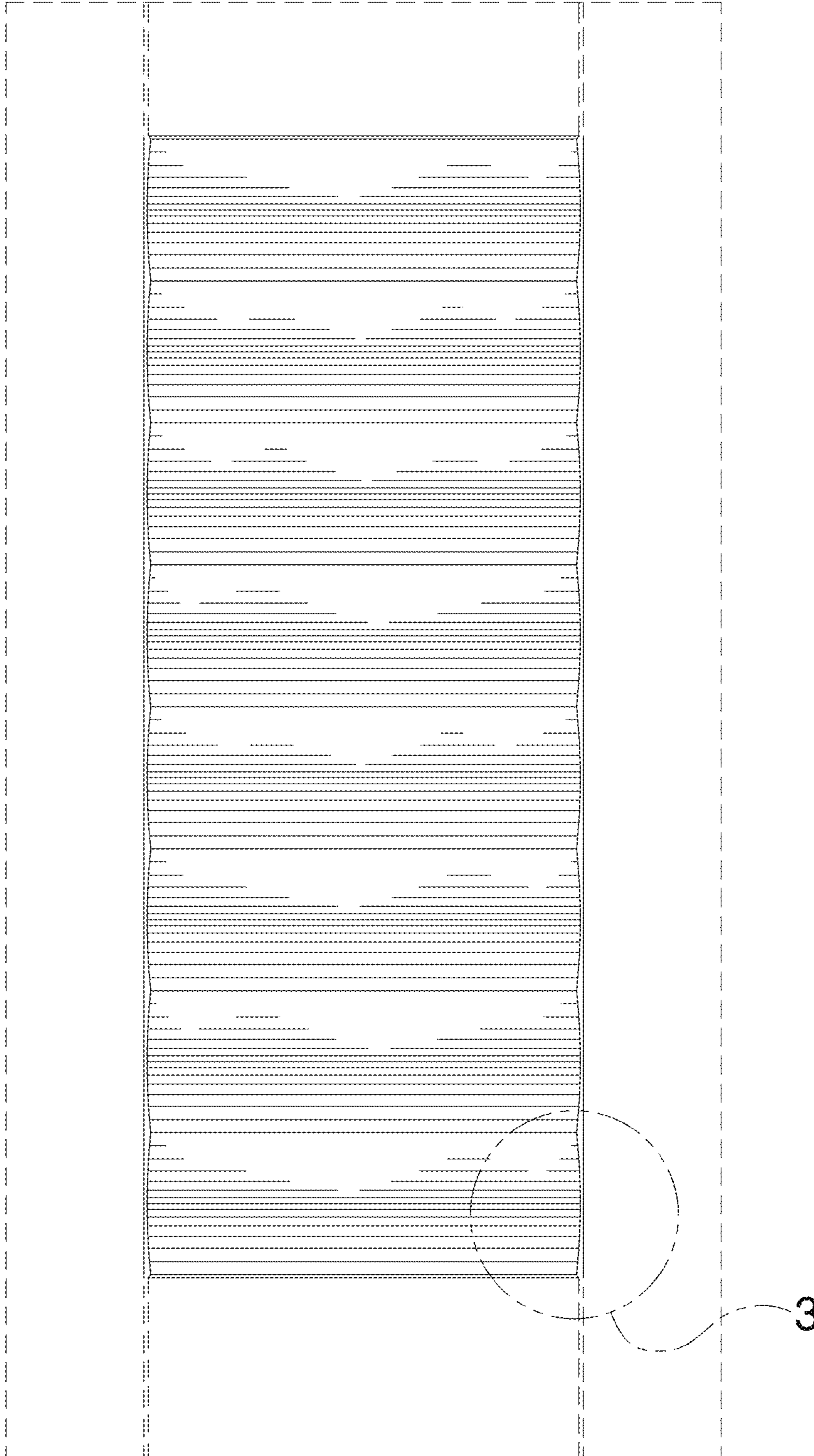


Fig. 3

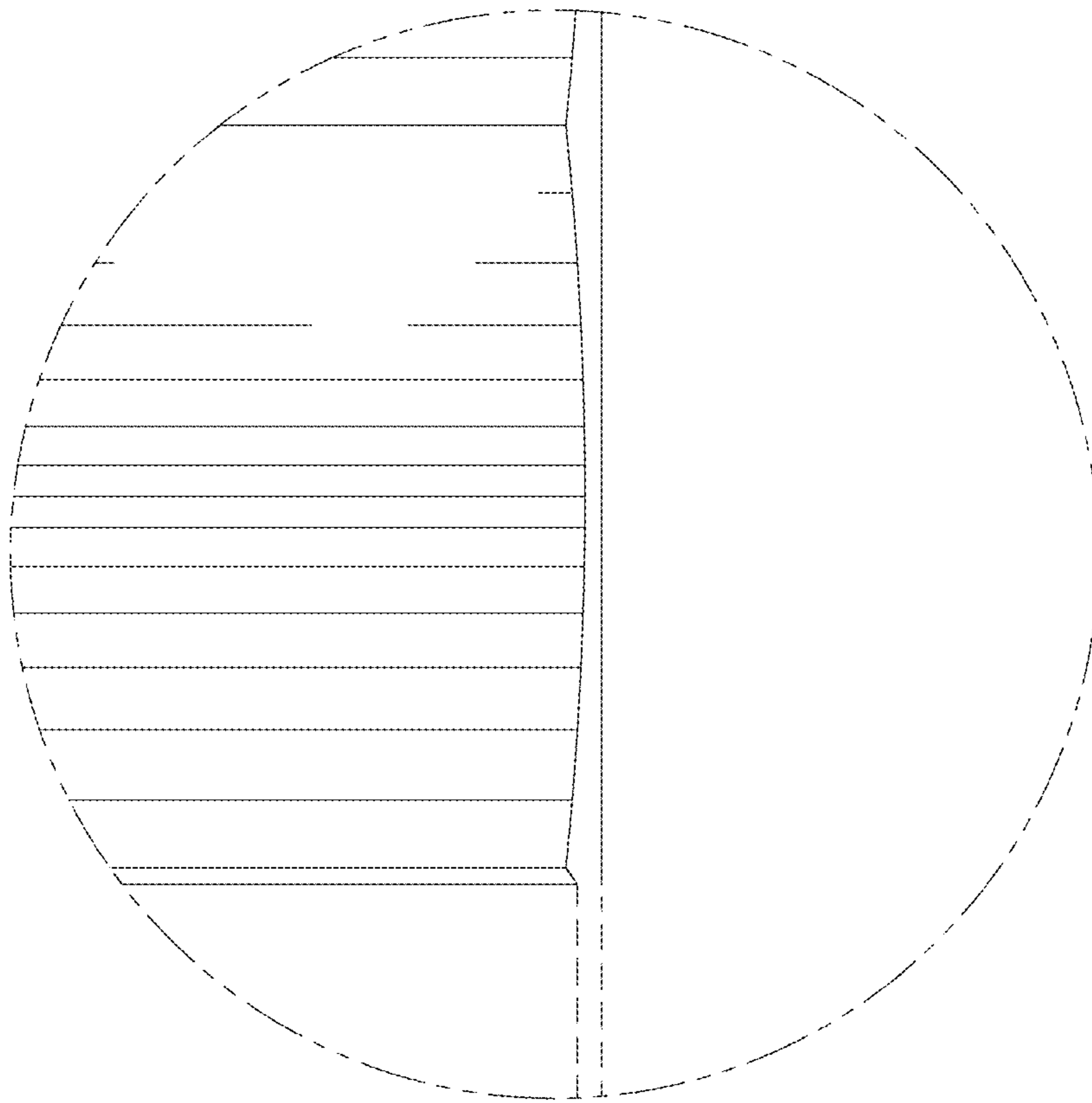




Fig. 4

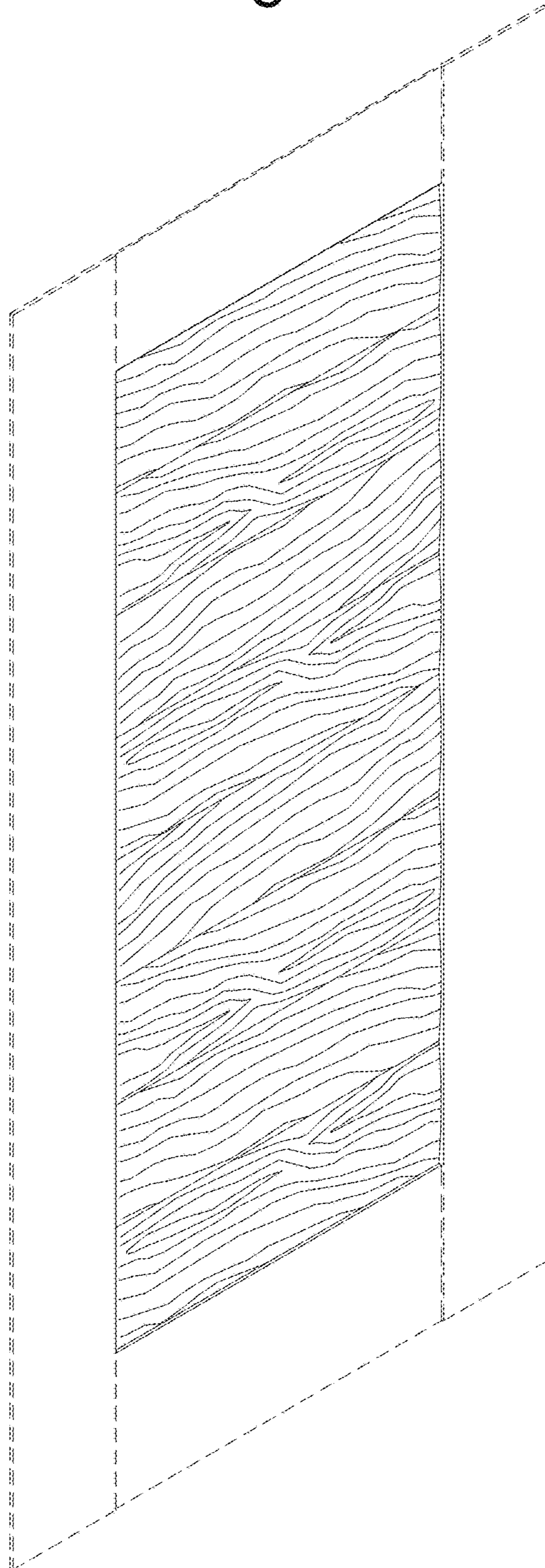


Fig. 5

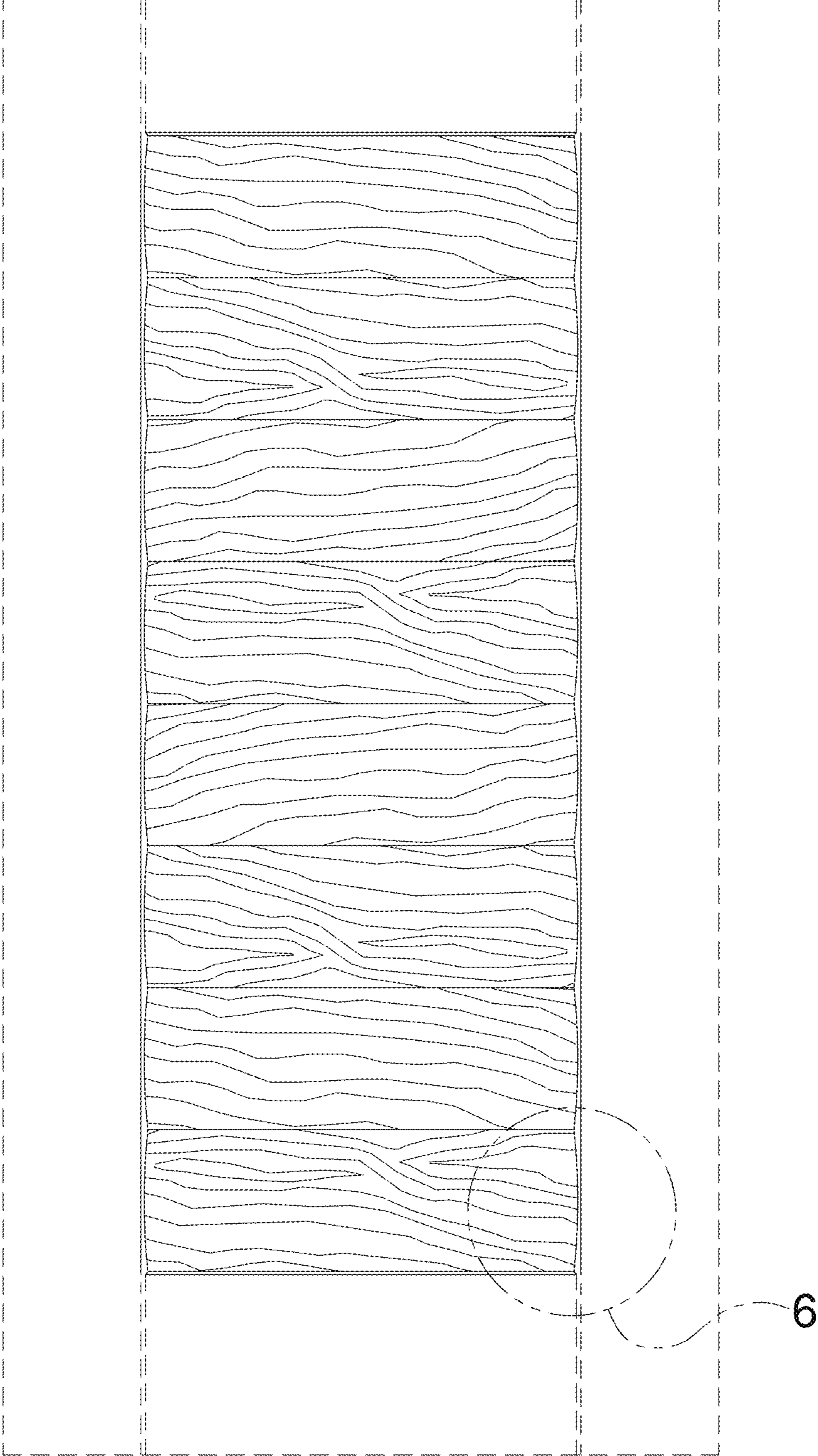


Fig. 6

