



US00D780322S

(12) **United States Design Patent**
Gustason

(10) **Patent No.:** **US D780,322 S**

(45) **Date of Patent:** **** Feb. 28, 2017**

- (54) **SWIM SPA COVER**
- (71) Applicant: **Donald J. Gustason**, Auburn, CA (US)
- (72) Inventor: **Donald J. Gustason**, Auburn, CA (US)
- (73) Assignee: **E2E LLC**, Reno, NV (US)

(**) Term: **15 Years**

(21) Appl. No.: **29/549,243**

(22) Filed: **Dec. 21, 2015**

(51) **LOC (10) Cl.** **23-02**

(52) **U.S. Cl.**
USPC **D24/204**

(58) **Field of Classification Search**
USPC D24/201–205, 213; D23/276–278,
D23/280.1–280.3; D25/2; D6/610, 612
CPC A61H 33/6005; A61H 33/6021; A61H
33/6089; A61H 33/6094; A61H 2035/004;
A61H 35/006; A47K 3/022; A47K 3/062;
E04H 4/06; E04H 4/10; E04H 4/101
See application file for complete search history.

(56) **References Cited**

U.S. PATENT DOCUMENTS

- 5,373,590 A * 12/1994 Svae A61H 33/60
4/498
- 5,685,031 A * 11/1997 Watkins E04H 4/08
4/498
- 6,355,180 B1 * 3/2002 Valentine E04H 4/101
210/167.19
- D571,481 S * 6/2008 Gray D25/2
- D599,483 S * 9/2009 Rosene D24/205

- D674,646 S * 1/2013 Valenta D6/610
- 8,683,621 B1 * 4/2014 Gustason E04H 4/10
4/498
- D708,753 S * 7/2014 Wright D24/204
- 2009/0255049 A1 * 10/2009 Rosenau A61H 33/02
4/584
- 2012/0137425 A1 * 6/2012 Gardenier A61H 33/02
4/557

* cited by examiner

Primary Examiner — Anhdao Doan

(74) *Attorney, Agent, or Firm* — Law Offices of David M. Lan; David M. Lang

(57) **CLAIM**

The ornamental design for a swim spa cover, as shown and described.

DESCRIPTION

FIG. 1 is a perspective view of a swim spa cover showing my new design.

FIG. 2 is a perspective view thereof, illustrating the cover partially rolled up.

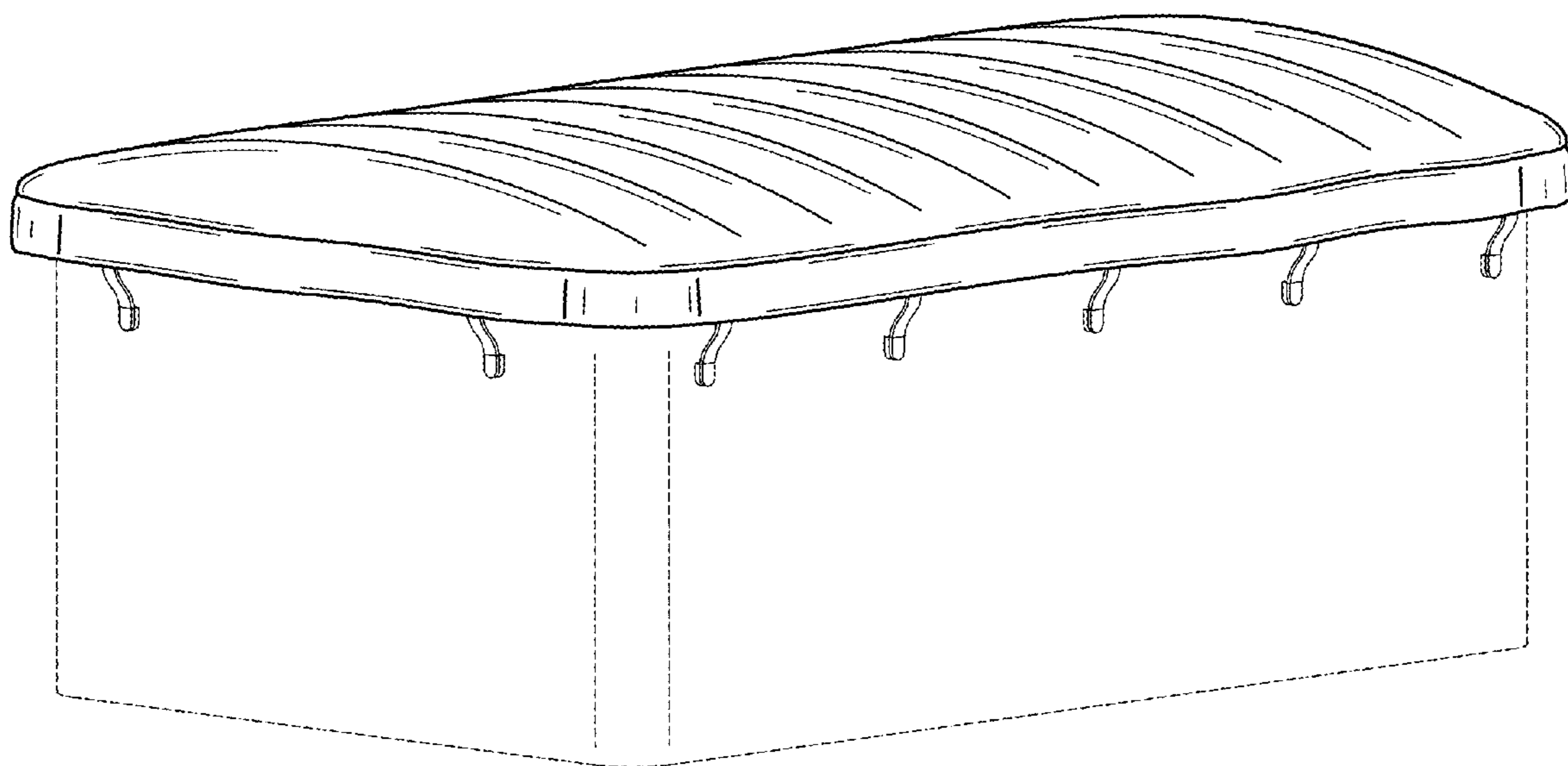
FIG. 3 is a front elevation view thereof, the opposite side being a mirror image thereof.

FIG. 4 is a side elevation view, the opposite side being a mirror image thereof; and,

FIG. 5 is a top view.

In the drawings, the broken lines depict environmental subject matter only and form no part of the claimed design.

1 Claim, 5 Drawing Sheets



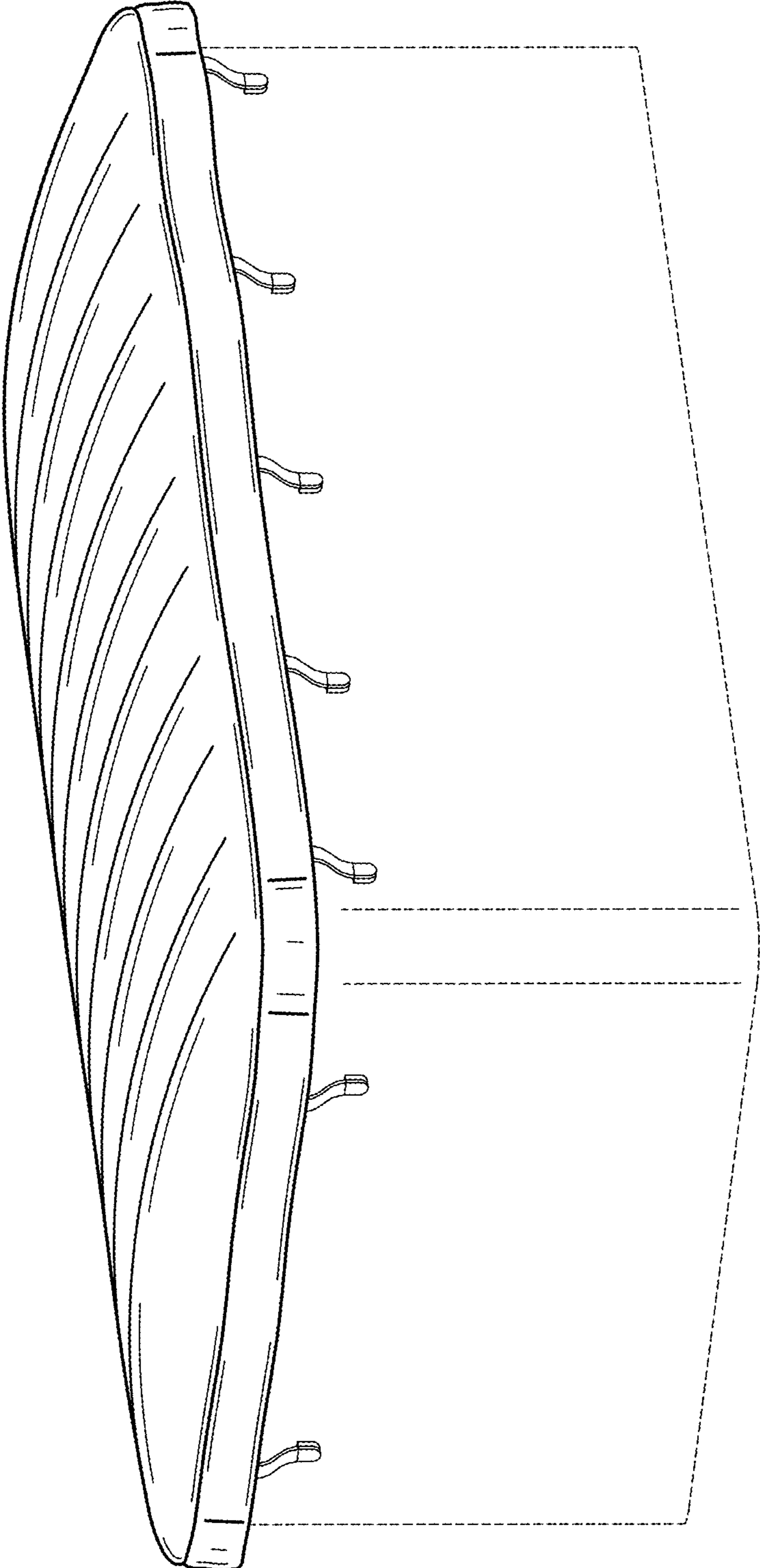


FIG. 1

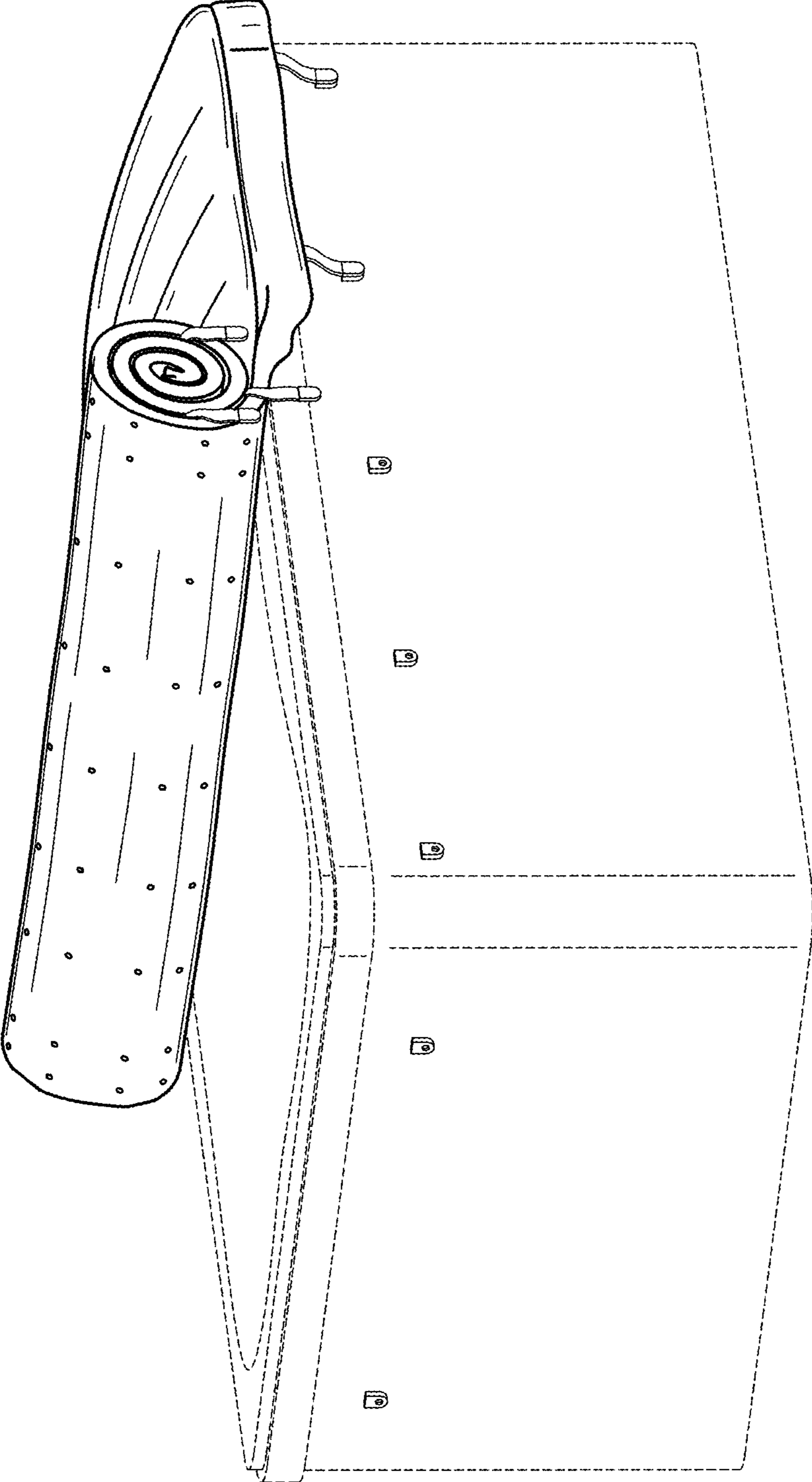


FIG. 2

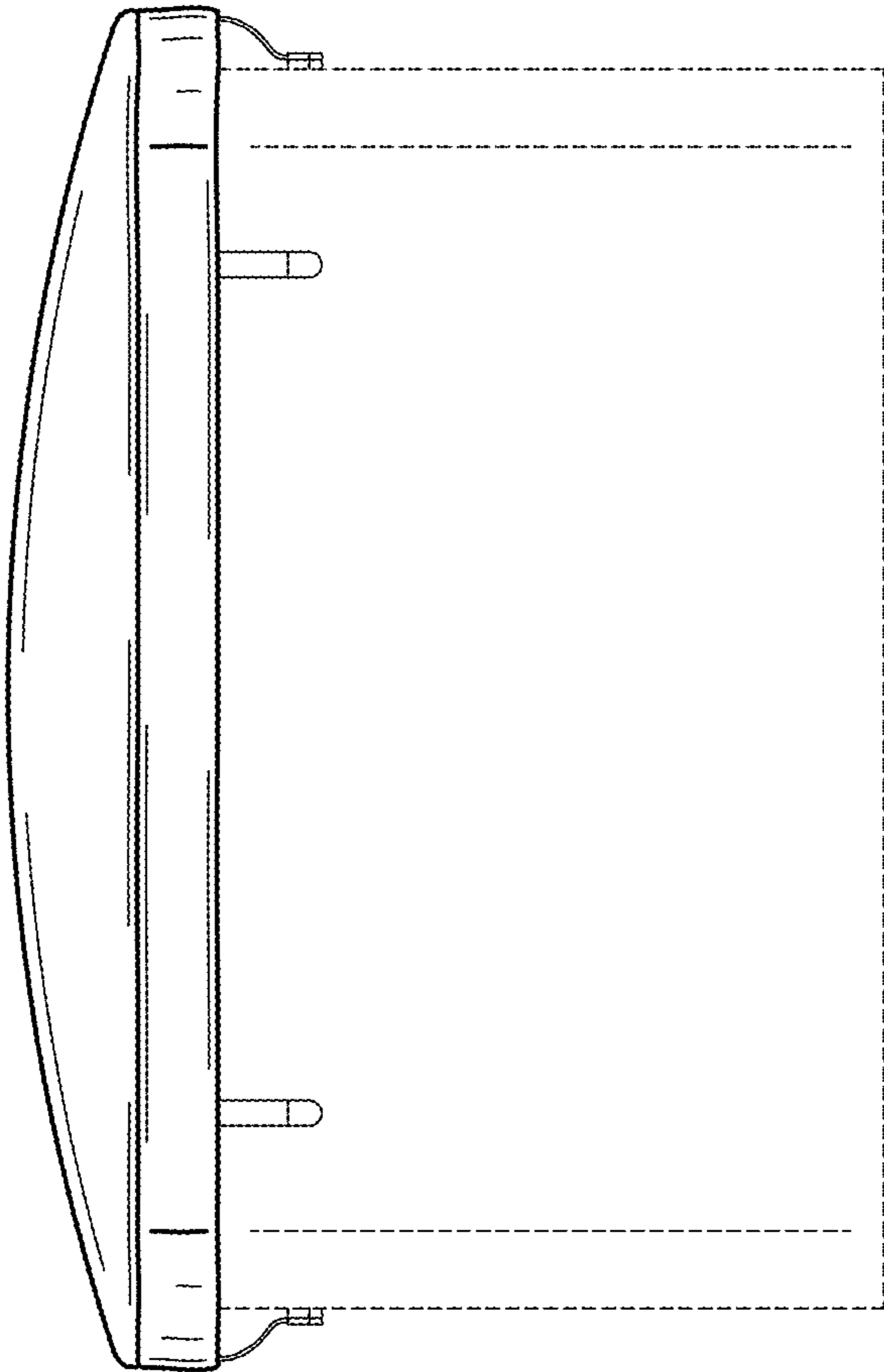


FIG. 3

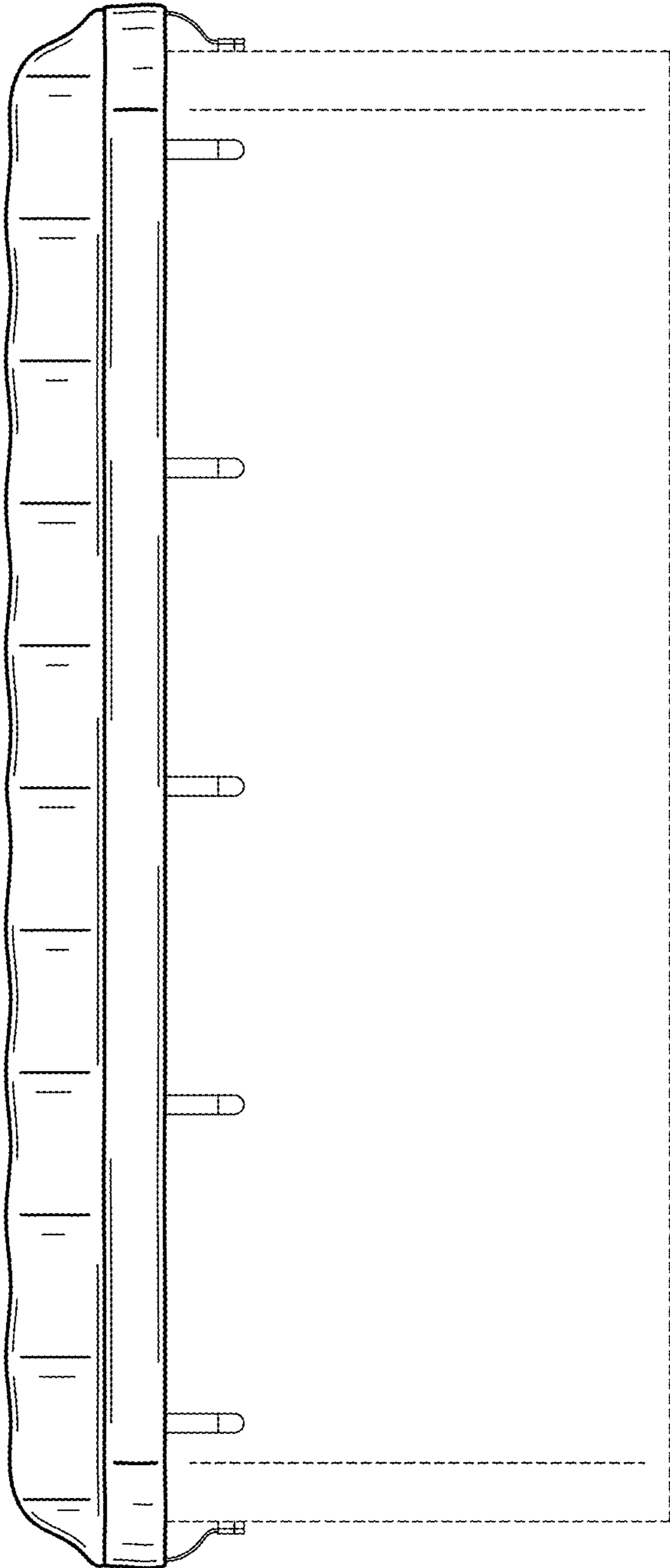


FIG. 4

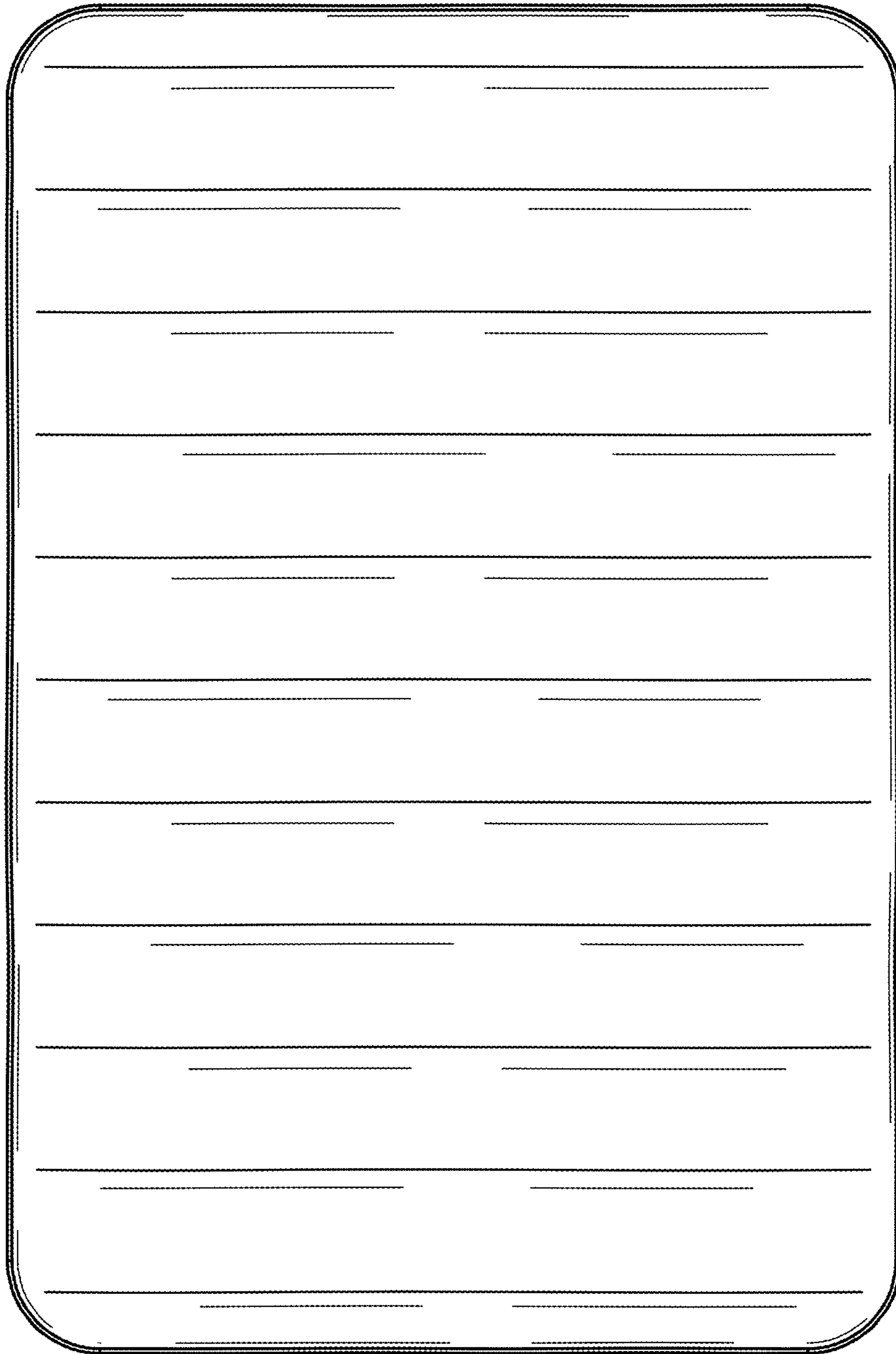


FIG. 5