



US00D780321S

(12) **United States Design Patent**
Larsen et al.

(10) **Patent No.:** **US D780,321 S**

(45) **Date of Patent:** **** Feb. 28, 2017**

(54) **SPA SHELL**

(71) Applicant: **WATKINS MANUFACTURING CORPORATION**, Vista, CA (US)

(72) Inventors: **Christopher Carl Larsen**, Vista, CA (US); **Sage Nathan Baker**, Cardiff, CA (US)

(73) Assignee: **Watkins Manufacturing Corporation**, Vista, CA (US)

(**) Term: **15 Years**

(21) Appl. No.: **29/548,112**

(22) Filed: **Dec. 10, 2015**

(51) **LOC (10) Cl.** **24-02**

(52) **U.S. Cl.**
USPC **D24/204**

(58) **Field of Classification Search**
USPC D24/201–205, 213; D23/276–278,
D23/280.1–280.3; D25/2
CPC A61H 33/6005; A61H 33/6021; A61H
33/6089; A61H 33/6094; A61H 2035/004;
A61H 35/006; A47K 3/022; A47K 3/062
See application file for complete search history.

(56) **References Cited**

U.S. PATENT DOCUMENTS

D527,828 S * 9/2006 Larsen D24/204
D542,925 S * 5/2007 Larsen D24/204

D616,999 S * 6/2010 Larsen D24/204
D620,600 S * 7/2010 Larsen D24/204
D624,657 S * 9/2010 Larsen D24/204
D755,402 S * 5/2016 Larsen D24/204

* cited by examiner

Primary Examiner — Anhdao Doan

(74) *Attorney, Agent, or Firm* — Kirk W. Rudolph

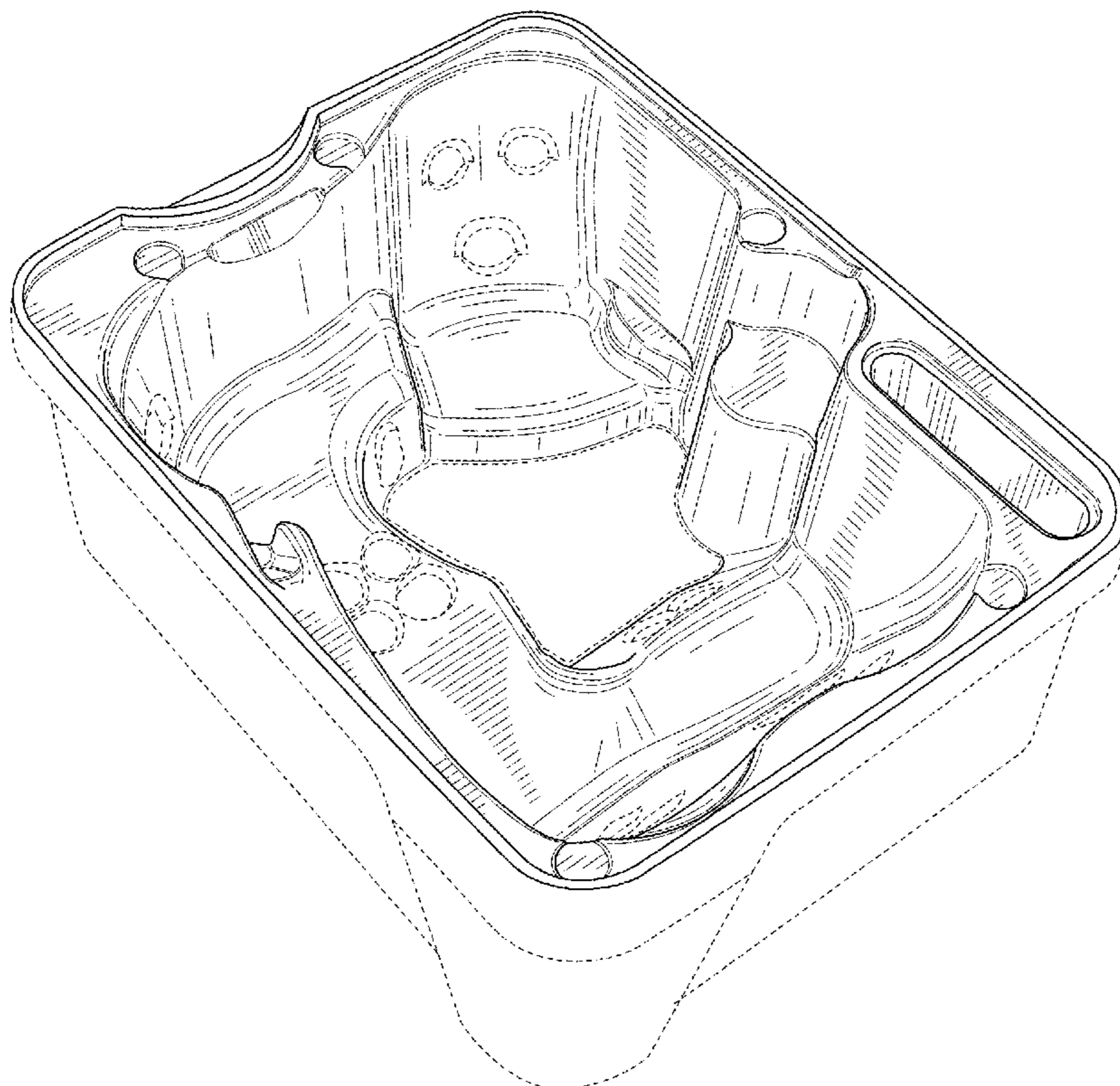
(57) **CLAIM**

The ornamental design for a spa shell, as shown and described.

DESCRIPTION

FIG. 1 is a perspective view of a spa shell showing our new design;
FIG. 2 is another perspective view thereof;
FIG. 3 is a top plan view thereof;
FIG. 4 is a cross-sectional view thereof, taken along line 4-4 of FIG. 3;
FIG. 5 is a cross-sectional view thereof, taken along line 5-5 of FIG. 3;
FIG. 6 is a cross-sectional view thereof, taken along line 6-6 of FIG. 3; and,
FIG. 7 is a cross-sectional view thereof, taken along line 7-7 of FIG. 3.
The broken lines immediately adjacent the shaded areas represent the bounds of the claim, while all other broken lines are directed to environment and are for illustrative purposes only; the broken lines form no part of the claimed design.

1 Claim, 5 Drawing Sheets



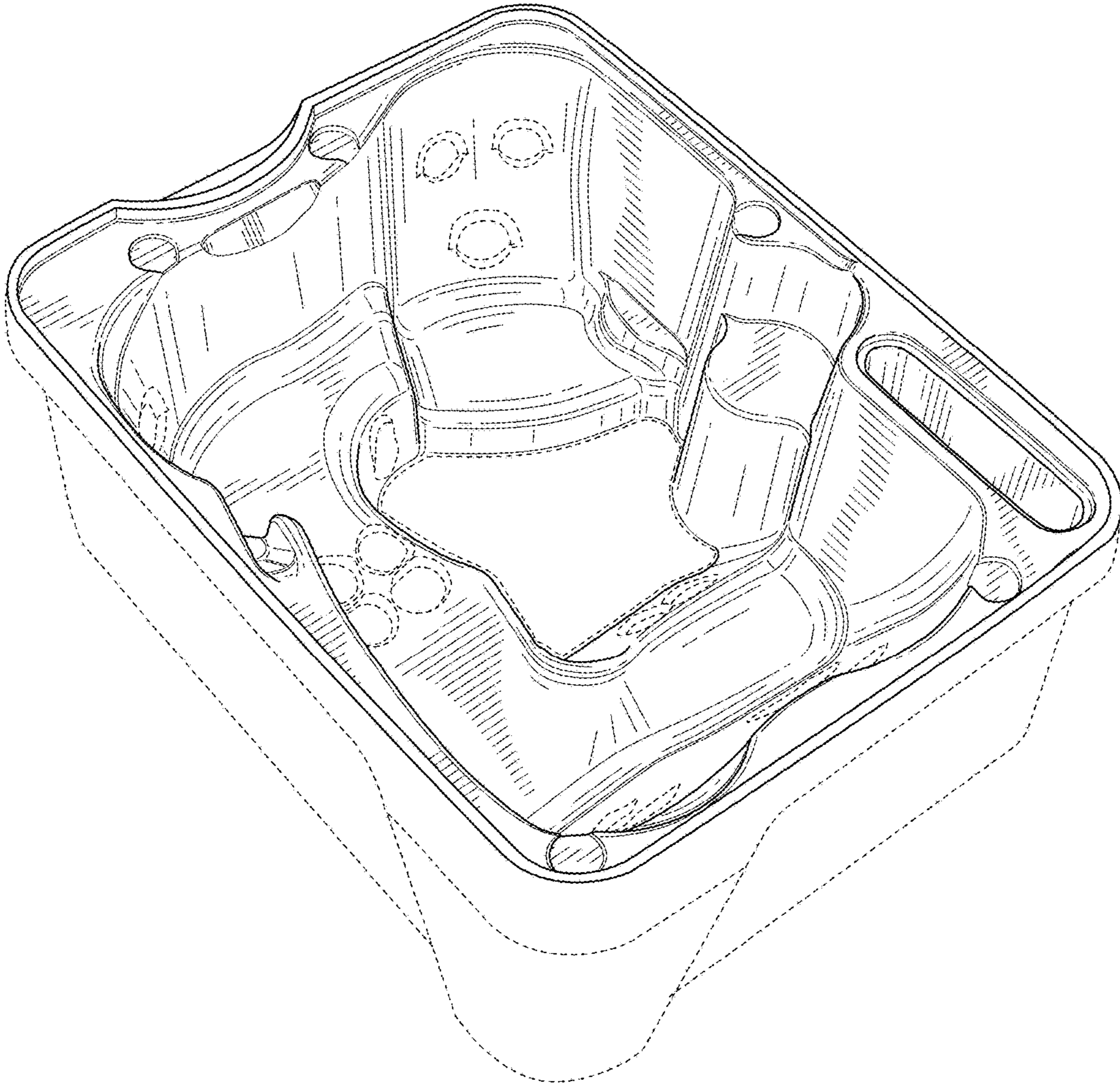


FIG. 1

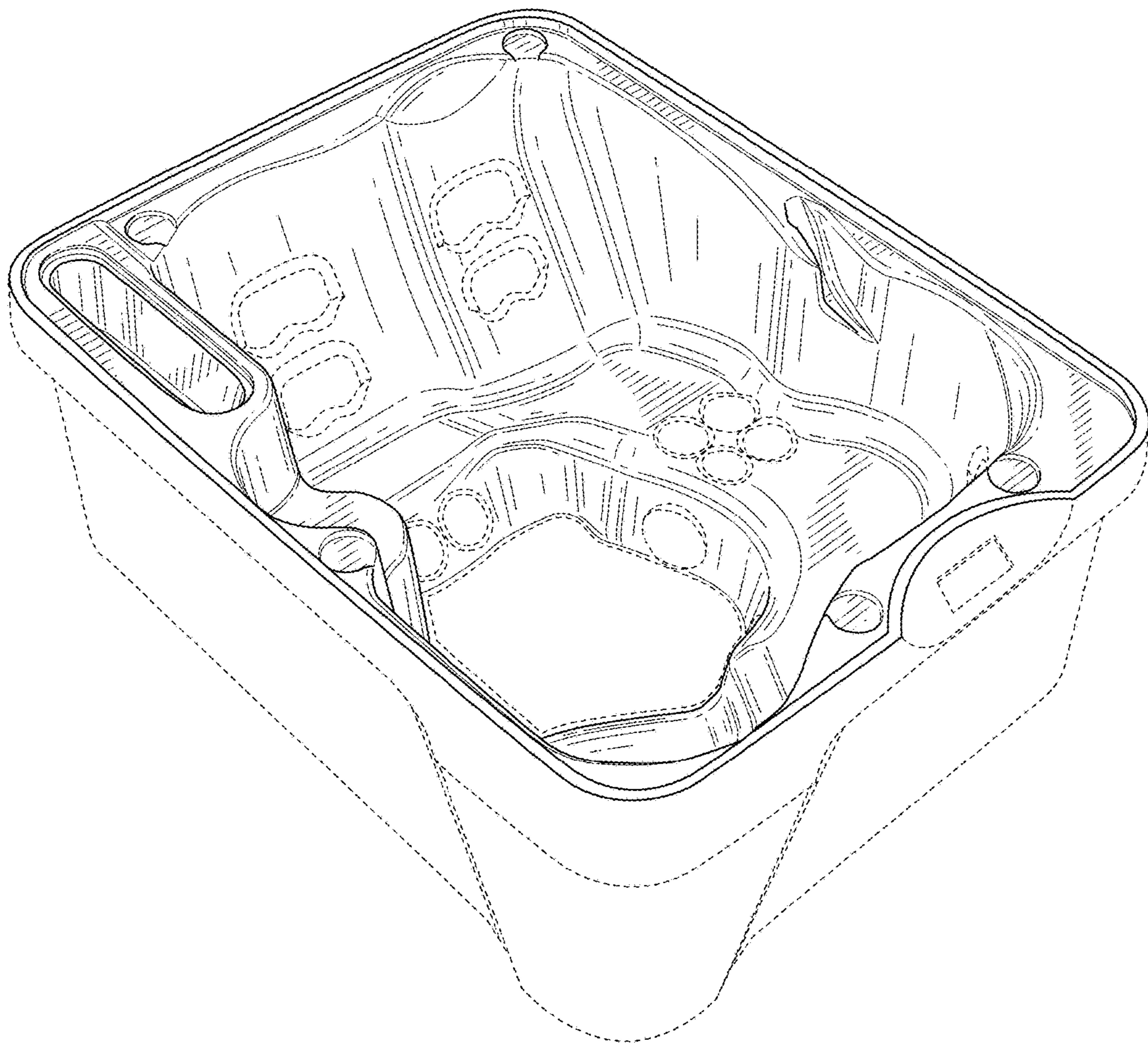


FIG. 2

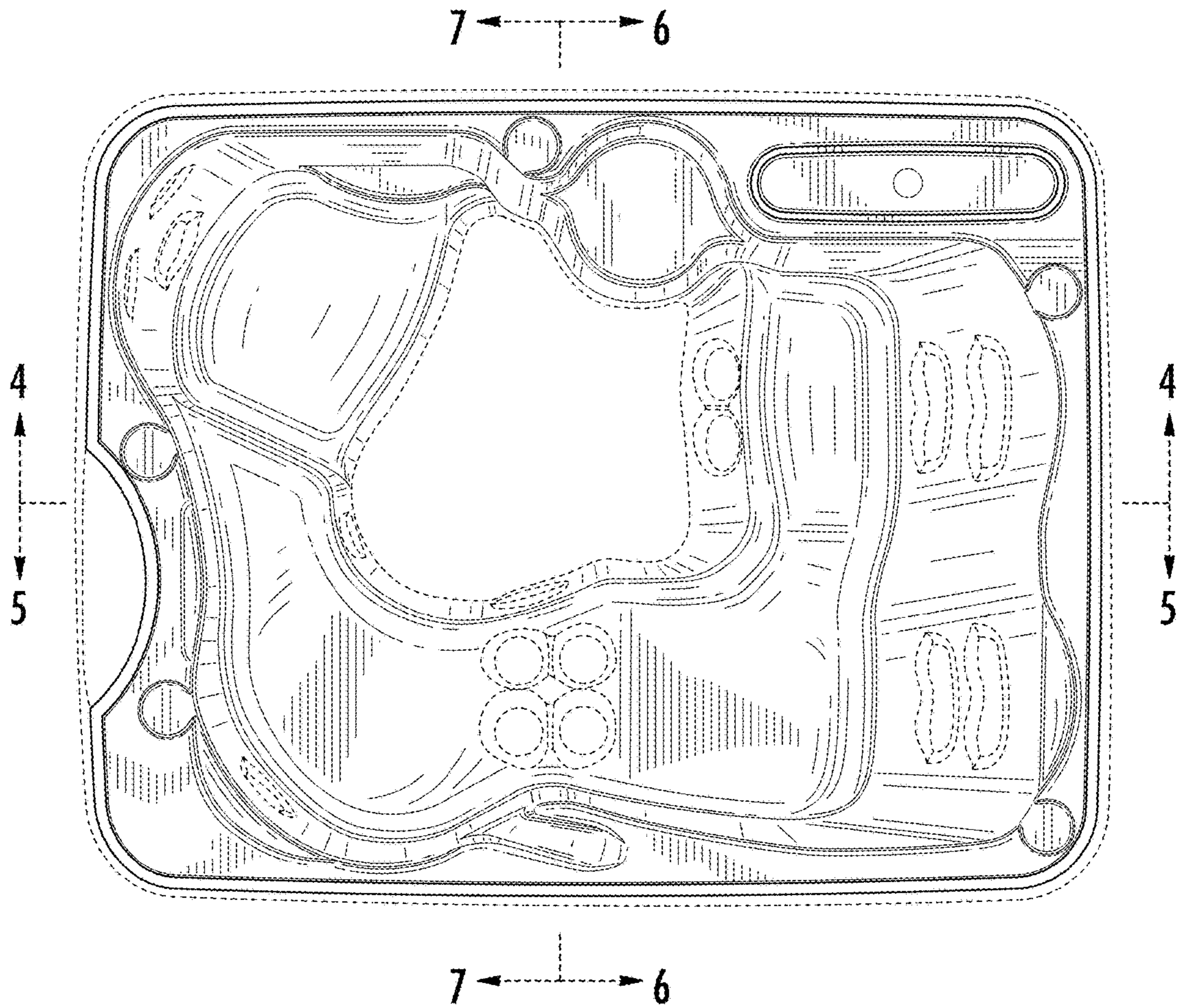


FIG. 3

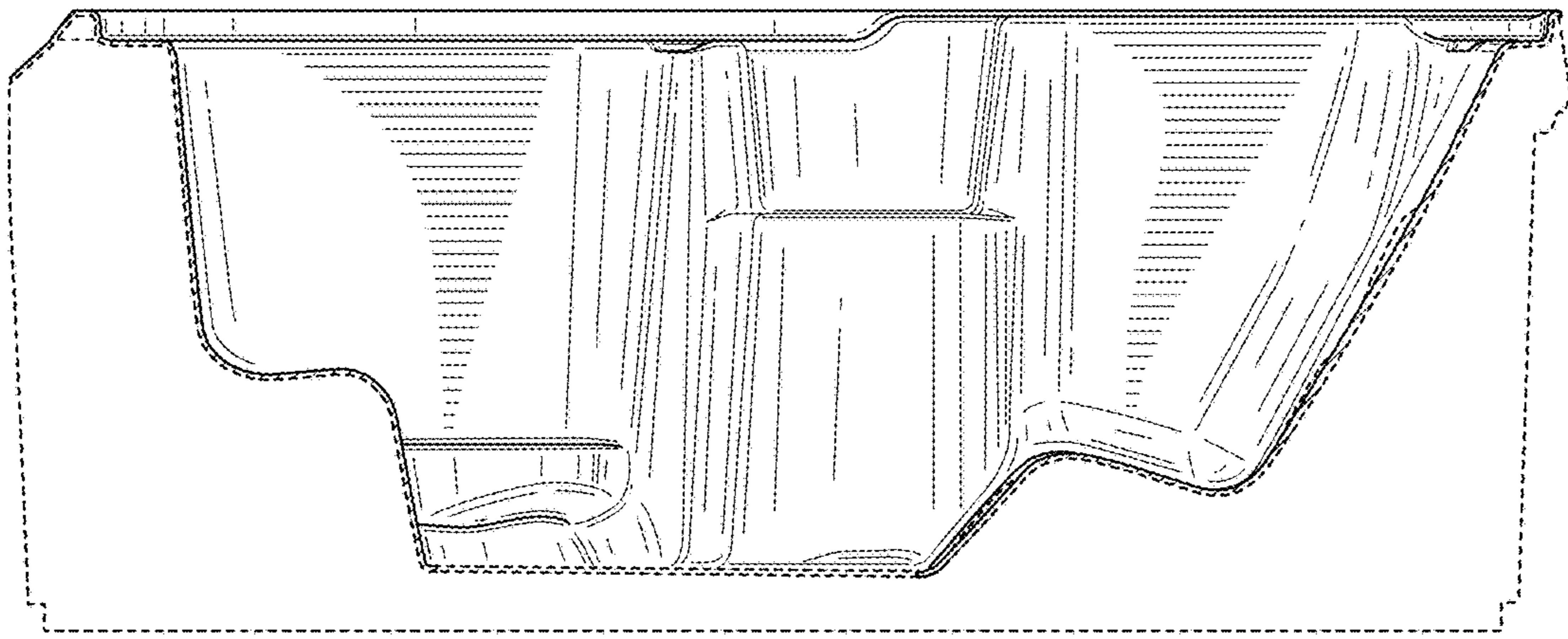


FIG. 4

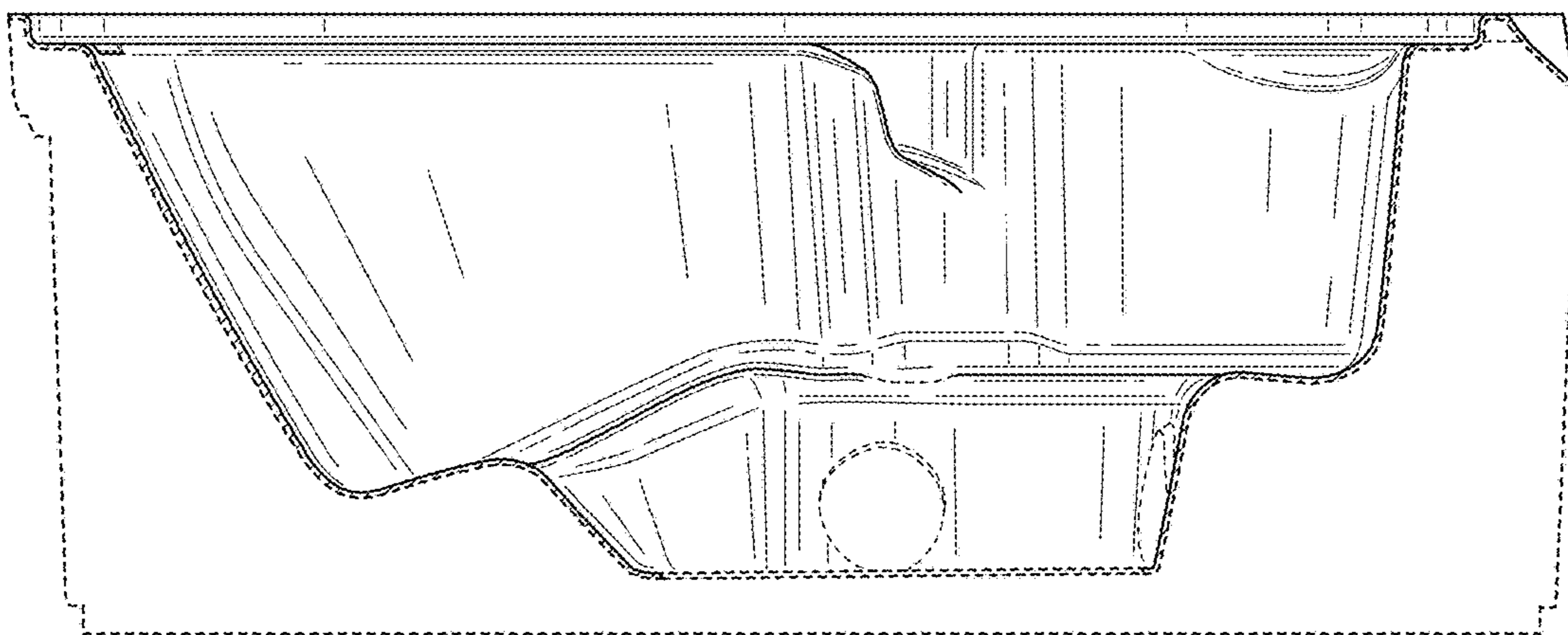


FIG. 5

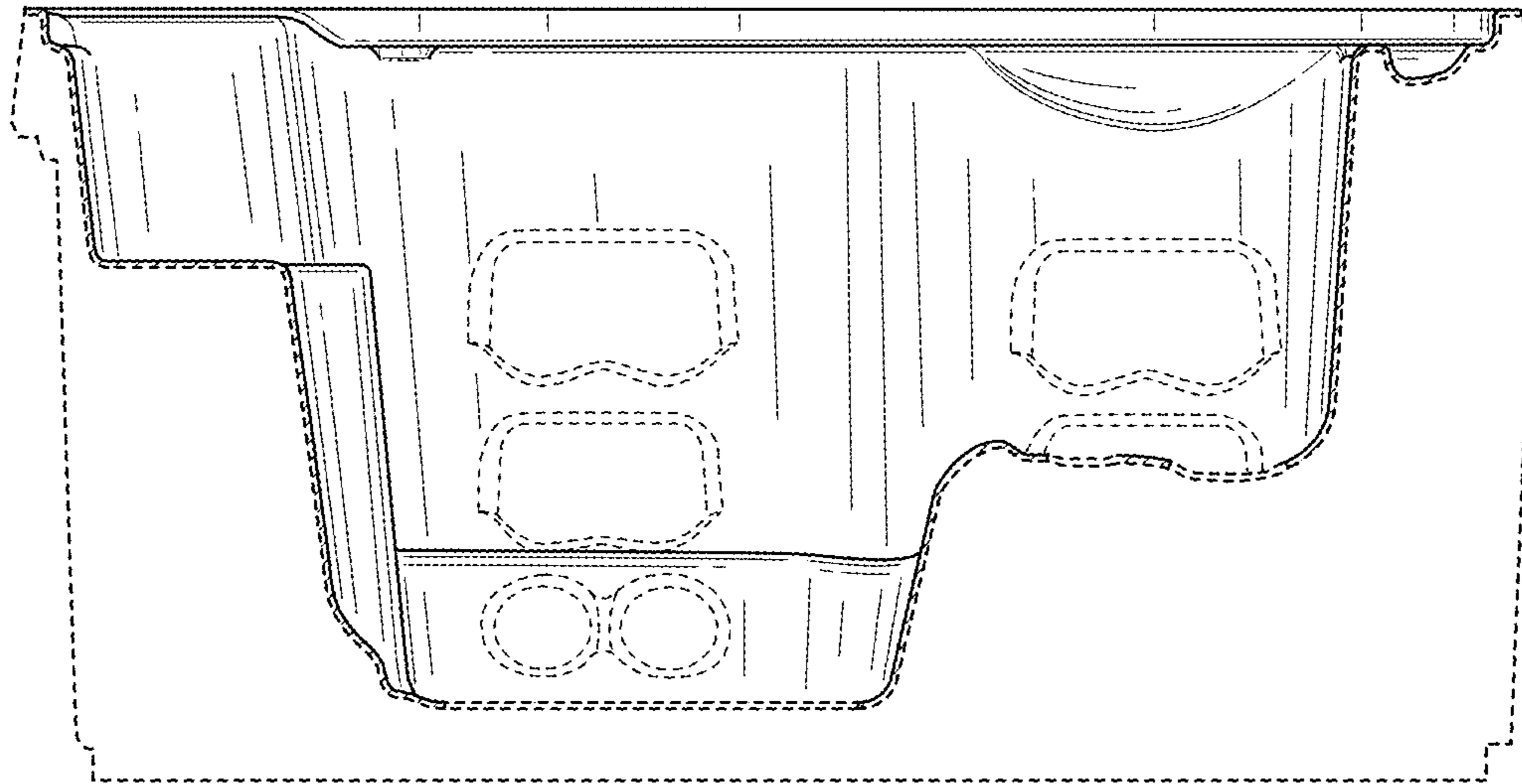


FIG. 6

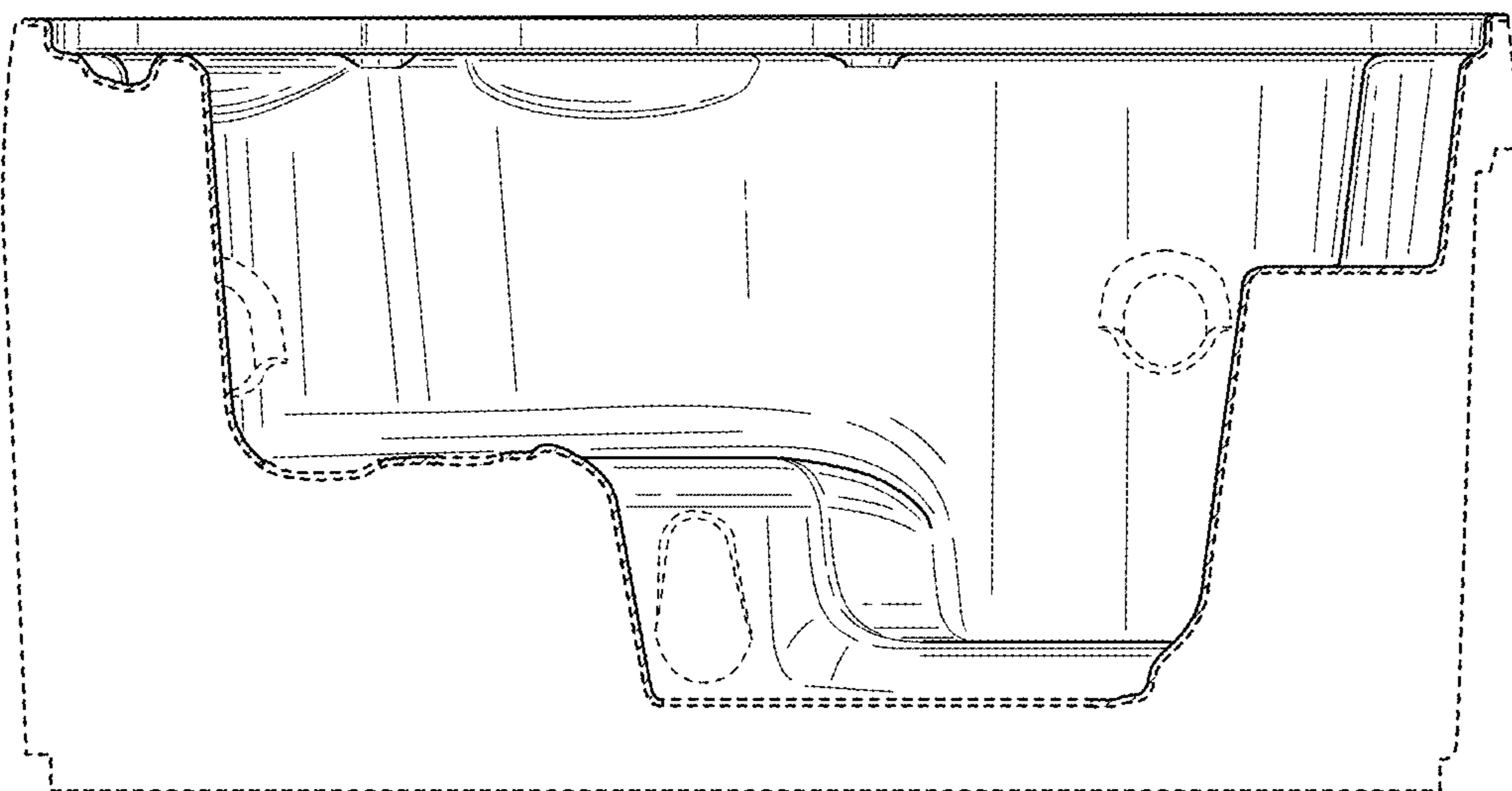


FIG. 7