



US00D780316S

(12) **United States Design Patent**  
**Pukall**

(10) **Patent No.:** **US D780,316 S**

(45) **Date of Patent:** **\*\* Feb. 28, 2017**

(54) **BRACELET FOR MEASURING  
PHYSIOLOGICAL DATA FOR MEDICAL  
PURPOSES**

(71) Applicant: **AVA AG**, Zürich (CH)

(72) Inventor: **Britta Pukall**, Wädenswil (CH)

(\*\*) Term: **15 Years**

(21) Appl. No.: **35/500,202**

(22) Filed: **Sep. 18, 2015**

(80) **Hague Agreement Data**

Int. Filing Date: **Sep. 18, 2015**

Int. Reg. No.: **DM/087728**

Int. Reg. Date: **Sep. 18, 2015**

Int. Reg. Pub. Date: **Oct. 16, 2015**

(51) **LOC (10) Cl.** ..... **24-01**

(52) **U.S. Cl.**

USPC ..... **D24/186**

(58) **Field of Classification Search**

USPC ..... D10/39, 46, 104.2, 70, 104.1, 31;  
D24/186; D11/3

CPC ..... G08B 21/02; G06F 17/40; H04M 1/0233;  
A16B 5/486; A16B 5/6824; G06K  
19/07762

See application file for complete search history.

(56) **References Cited**

**U.S. PATENT DOCUMENTS**

D541,183 S \* 4/2007 Mouclier ..... D10/39

7,423,526 B2 \* 9/2008 Despotis ..... G08B 21/02  
340/517

8,188,868 B2 \* 5/2012 Case, Jr. .... G06F 17/40  
340/5.8  
D675,123 S \* 1/2013 Nunez ..... D11/3  
D710,220 S \* 8/2014 Daniel ..... D10/104.2  
8,947,382 B2 \* 2/2015 Winkler ..... H04M 1/0233  
345/156  
D725,510 S \* 3/2015 Henning ..... D10/70  
9,259,180 B2 \* 2/2016 McCaffrey ..... A61B 5/486  
D750,521 S \* 3/2016 Poesel ..... D10/104.1  
9,295,403 B1 \* 3/2016 Mirov ..... A61B 5/6824  
D758,900 S \* 6/2016 Garner ..... D10/70  
9,367,793 B2 \* 6/2016 Proud ..... G06K 19/07762  
D761,793 S \* 7/2016 Akana ..... D10/31

\* cited by examiner

*Primary Examiner* — George D Kirschbaum

(57) **CLAIM**

The ornamental design for bracelet for measuring physiological data for medical purposes, as shown and described.

**DESCRIPTION**

1. Bracelet for measuring physiological data for medical purposes.

1.1 is a front perspective view;

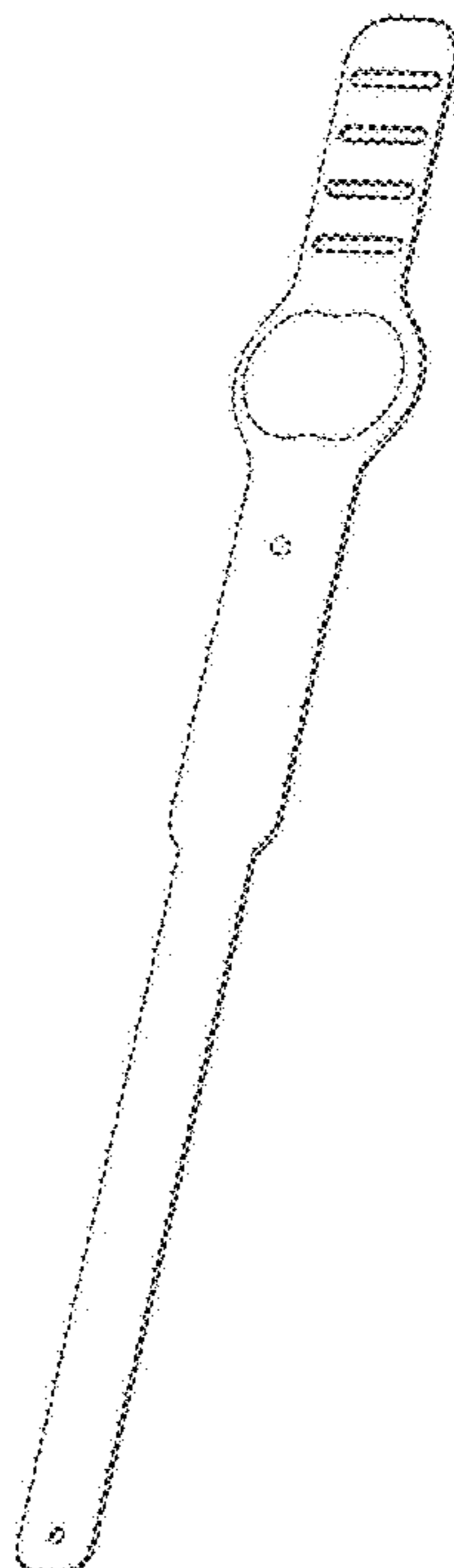
1.2 is a front perspective view showing the design in an alternate position;

1.3 is a front view;

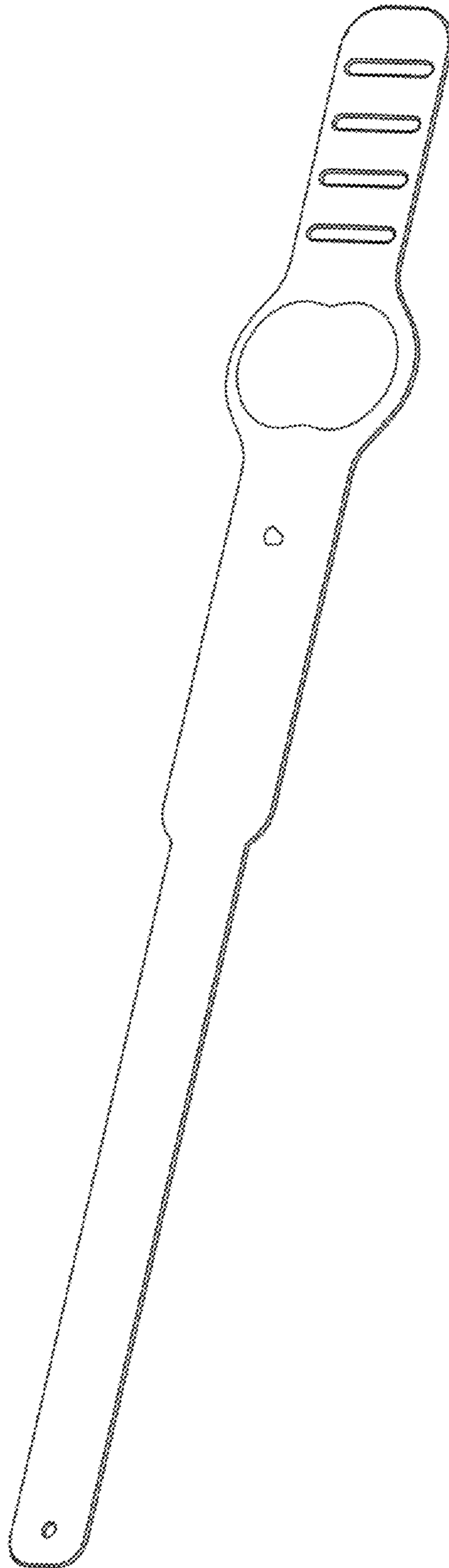
1.4 is a rear view; and,

1.5 is a left side view, the right side being a mirror image thereof.

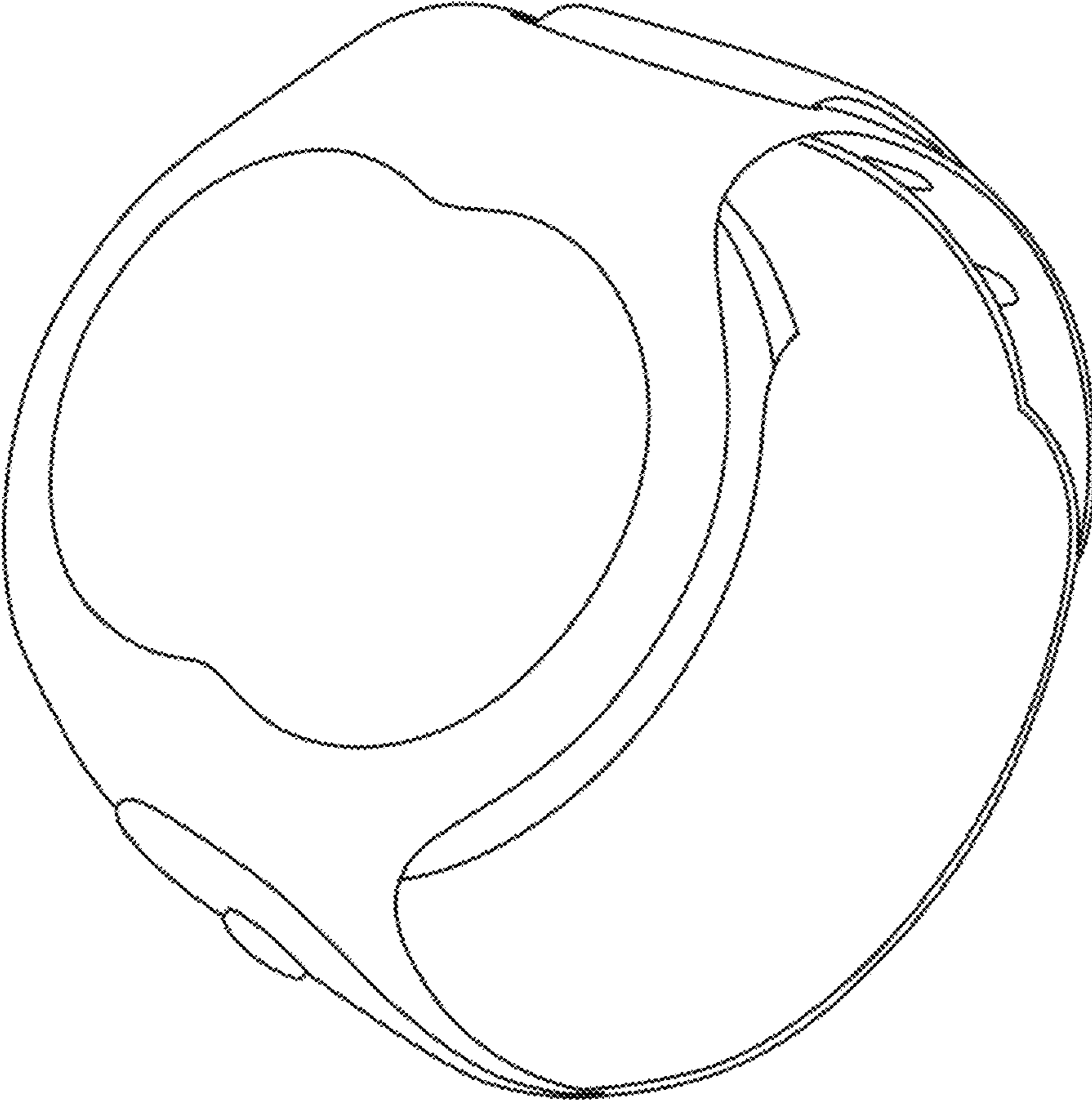
**1 Claim, 5 Drawing Sheets**



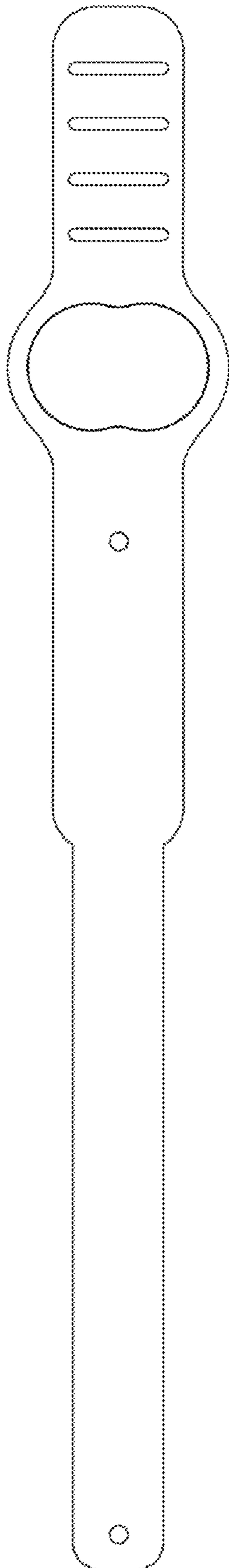
1.1



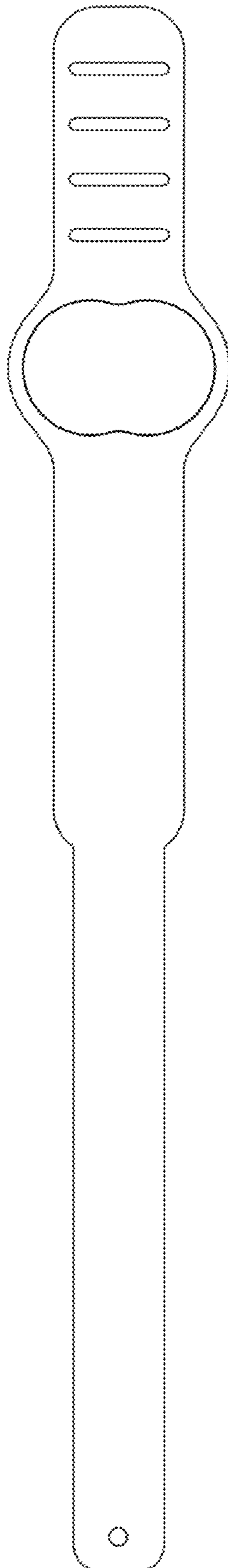
1.2



1.3



1.4



1.5

