



US00D780312S

(12) **United States Design Patent** (10) **Patent No.:** **US D780,312 S**
Perkins et al. (45) **Date of Patent:** **** Feb. 28, 2017**

- (54) **ORTHOPEDIC IMPLANT SIZING DEVICE** 3,191,649 A * 6/1965 Dzus B25B 15/00
81/439
(71) Applicant: **BioMedical Enterprises, Inc.**, San Antonio, TX (US) D229,390 S * 11/1973 Hart D8/85
D302,514 S * 8/1989 Gates D8/105
D344,664 S * 3/1994 Malkinson D8/85
D486,051 S * 2/2004 Parry D8/82
(72) Inventors: **Luke A. Perkins**, Bulverde, TX (US);
Adam T. Knight, San Antonio, TX
(US); **John K. Ellington**, Charlotte, NC
(US) 7,857,851 B2 12/2010 Zannis et al.
D634,010 S * 3/2011 DeCarlo D24/133
D652,144 S * 1/2012 Stotland D24/140
D669,985 S 10/2012 Cheney et al.
8,584,853 B2 11/2013 Knight et al.
D755,964 S * 5/2016 Freudenthal D24/140

* cited by examiner

(**) Term: **14 Years**

Primary Examiner — Charles Hanson

(21) Appl. No.: **29/513,531**

(74) *Attorney, Agent, or Firm* — Christopher L. Makay

(22) Filed: **Dec. 31, 2014**

(57) **CLAIM**

(51) **LOC (10) Cl.** **24-02**

The ornamental design for an orthopedic implant sizing device, as shown and described.

(52) **U.S. Cl.**
USPC **D24/155**

(58) **Field of Classification Search**
USPC D24/155–157, 140; D8/85, 26
CPC A61B 17/0642; A61B 17/0682; A61B
17/0644; A61B 90/06; A61B 2090/061;
B25B 15/00; A61F 2/4657; A61F
2002/4668; A61F 2002/4658; A61F
2220/0025

DESCRIPTION

See application file for complete search history.

FIG. 1 is a perspective view illustrating a first embodiment of the orthopedic implant sizing device;
FIG. 2 is a front view thereof;
FIG. 3 is a rear view thereof;
FIG. 4 is a left side view thereof;
FIG. 5 is a right side view thereof;
FIG. 6 is a top view thereof; and,
FIG. 7 is a bottom view thereof.

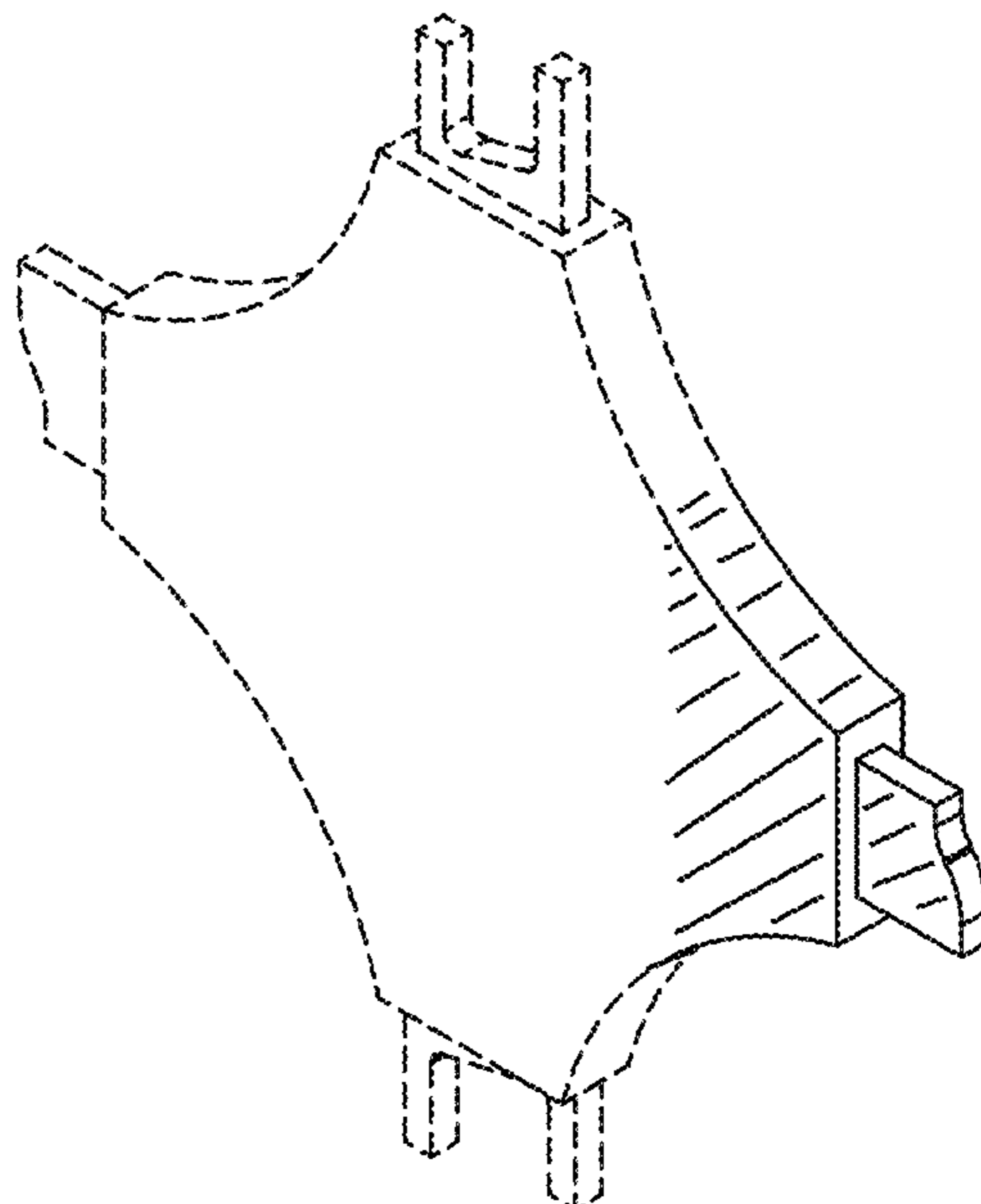
The broken lines shown in FIGS. 1-7 represent additional portions of the orthopedic implant sizing device according to the first embodiment that form no part of the claimed design.

(56) **References Cited**

U.S. PATENT DOCUMENTS

- 2,788,816 A * 4/1957 Dargols B25B 13/56
7/165
D197,915 S * 4/1964 Ayars 7/164

1 Claim, 4 Drawing Sheets



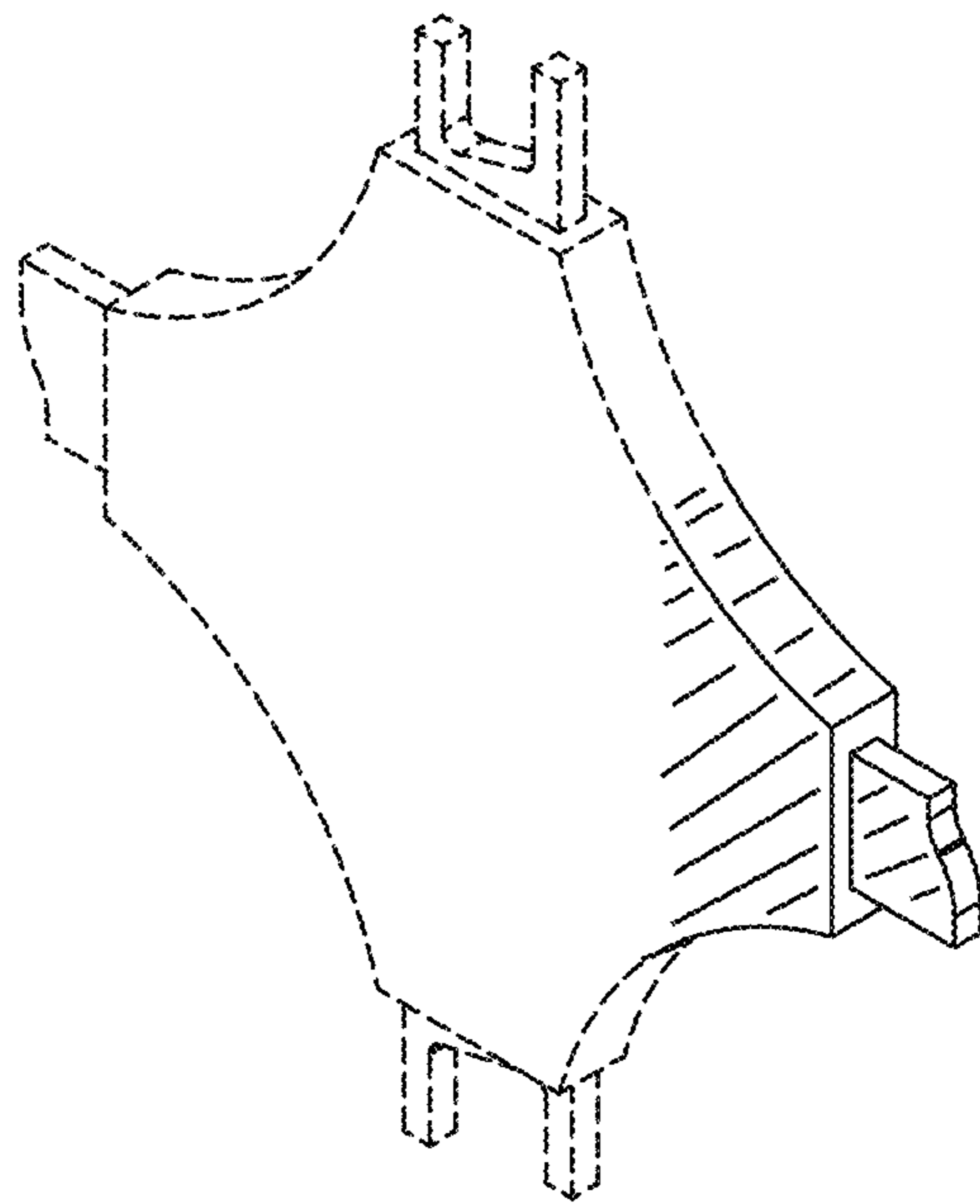


FIG. 1

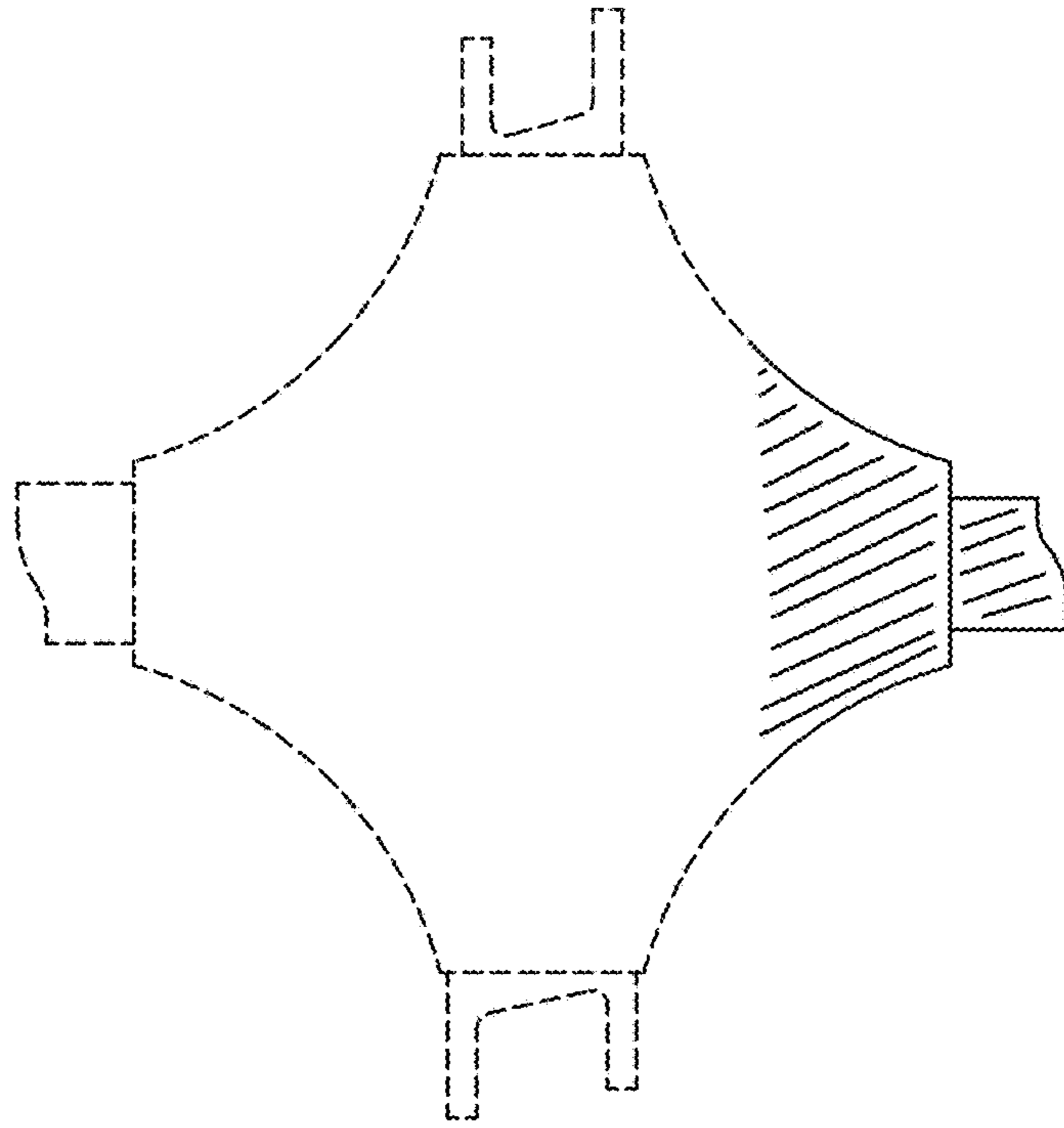


FIG. 2

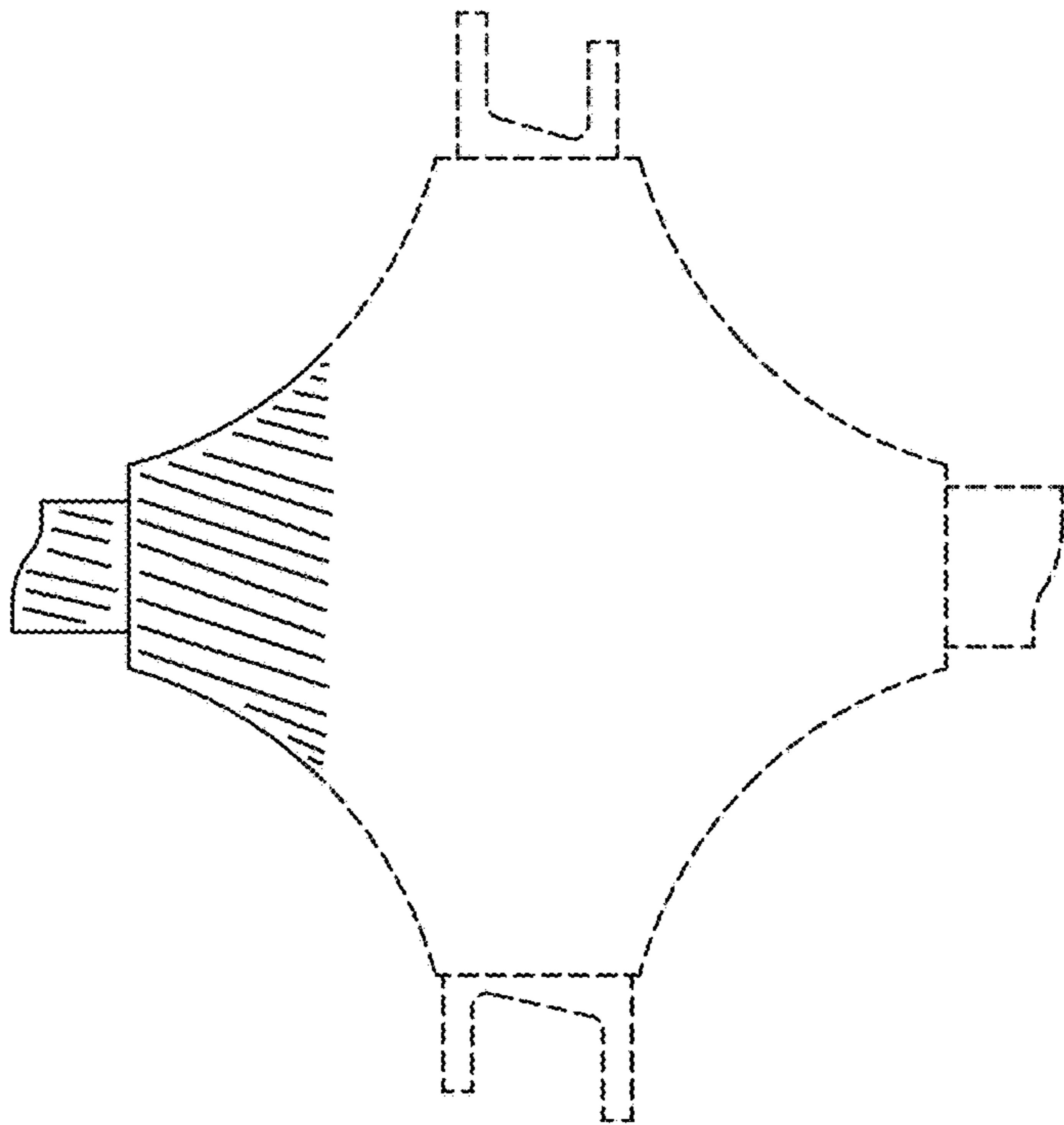


FIG. 3



FIG. 4



FIG. 5

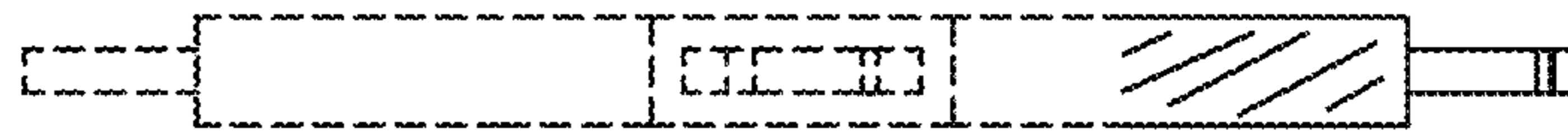


FIG. 6

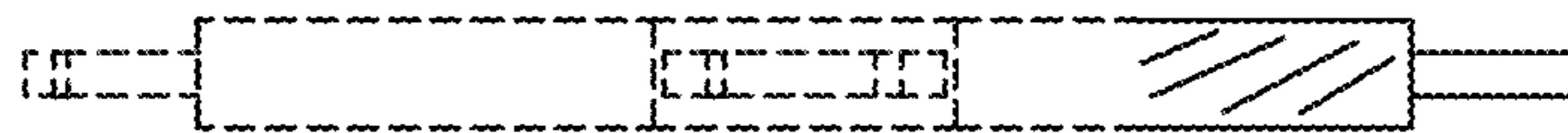


FIG. 7