



US00D780311S

(12) **United States Design Patent** (10) **Patent No.:** **US D780,311 S**
Cheney et al. (45) **Date of Patent:** **** Feb. 28, 2017**

(54) **ORTHOPEDIC IMPLANT**

6,001,110 A 12/1999 Adams
6,638,297 B1 10/2003 Huitema
D484,032 S * 12/2003 Del Re D8/390
(Continued)

(71) Applicant: **BioMedical Enterprises, Inc.**, San Antonio, TX (US)

(72) Inventors: **Daniel F. Cheney**, San Antonio, TX (US); **Mark S. Myerson**, Baltimore, MD (US); **John Kent Ellington**, Charlotte, NC (US); **Thomas J. Chang**, Santa Rosa, CA (US); **J. Chris Coetzee**, Eagan, MN (US); **Bryan D. Den Hartog**, Urbandale, IA (US); **Anish R. Kadakia**, Glenview, IL (US)

FOREIGN PATENT DOCUMENTS

EP 0061867 B1 9/1987
EP 0682920 A1 2/1995
(Continued)

(73) Assignee: **BioMedical Enterprises, Inc.**, San Antonio, TX (US)

OTHER PUBLICATIONS

BME Sales Brochure covering Continuous Activation Implant System introduced Mar. 2011.
(Continued)

(**) Term: **14 Years**

Primary Examiner — Charles Hanson
(74) *Attorney, Agent, or Firm* — Christopher L. Makay

(21) Appl. No.: **29/509,747**

(57) **CLAIM**

The ornamental design for an orthopedic implant, as shown and described.

(22) Filed: **Nov. 20, 2014**

DESCRIPTION

(51) **LOC (10) Cl.** **24-02**

(52) **U.S. Cl.**
USPC **D24/155**

(58) **Field of Classification Search**
USPC D24/155-157; D8/390
CPC A61B 17/0642; A61B 17/0682; A61B 17/0644; F16B 15/06
See application file for complete search history.

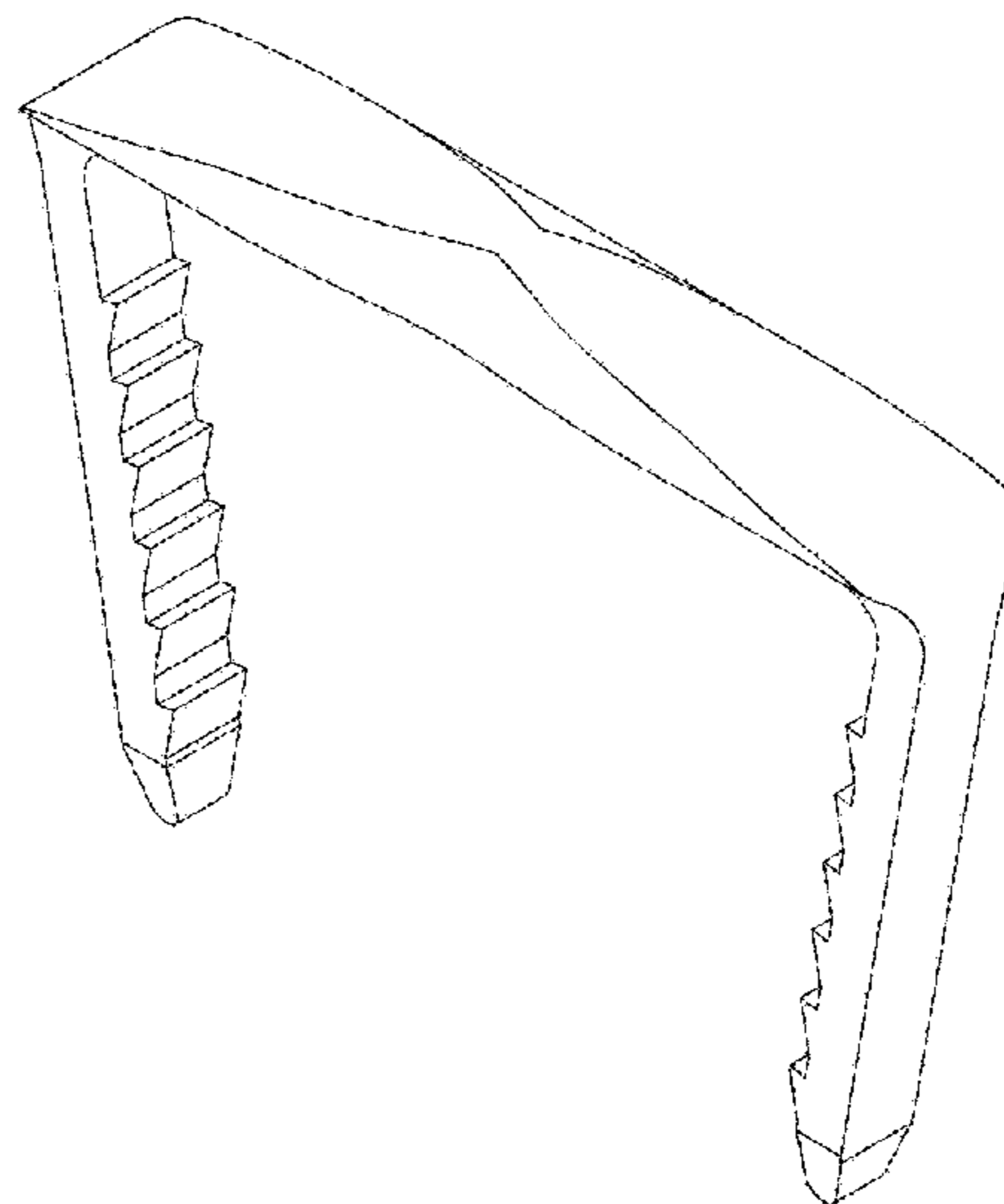
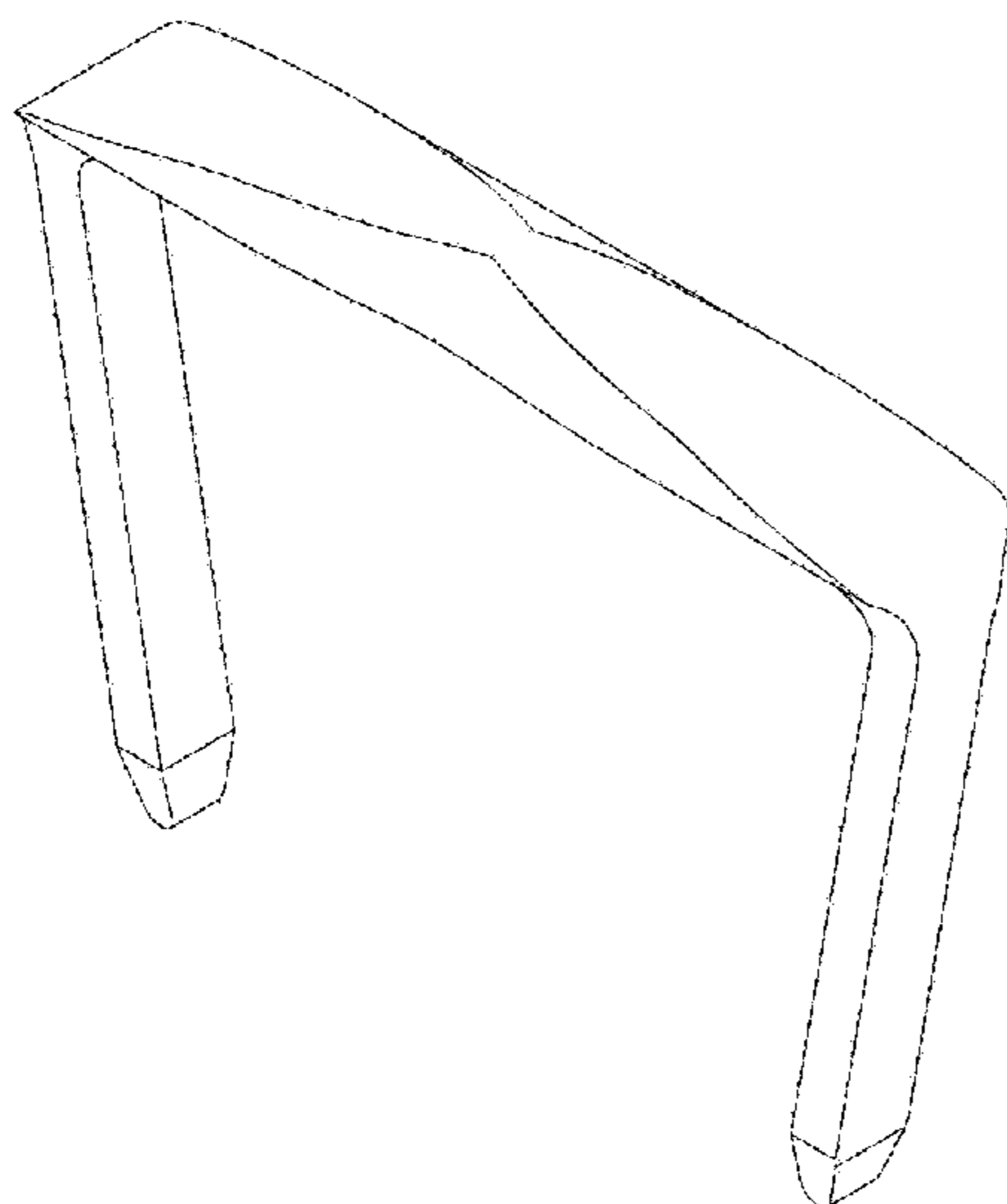
FIG. 1 is a perspective view of the orthopedic implant according to a first embodiment;
FIG. 2 is a front view thereof;
FIG. 3 is a rear view thereof;
FIG. 4 is a top view thereof;
FIG. 5 is a bottom view thereof;
FIG. 6 is a left side view thereof;
FIG. 7 is a right side view thereof;
FIG. 8 is a perspective view of the orthopedic implant according to a second embodiment;
FIG. 9 is a front view thereof;
FIG. 10 is a rear view thereof;
FIG. 11 is a top view thereof;
FIG. 12 is a bottom view thereof;
FIG. 13 is a left side view thereof; and,
FIG. 14 is a right side view thereof.

(56) **References Cited**

U.S. PATENT DOCUMENTS

1,106,241 A 8/1914 Richardson
2,544,492 A 3/1947 Downing
3,939,828 A 2/1976 Mohr et al.
4,014,244 A * 3/1977 Larson F16B 15/06
411/451.3
D281,814 S * 12/1985 Pratt D24/145

1 Claim, 10 Drawing Sheets



(56)

References Cited

U.S. PATENT DOCUMENTS

6,685,708 B2 2/2004 Monassevitch et al.
 6,783,531 B2 8/2004 Allen
 7,398,907 B2* 7/2008 Racenet A61B 17/0644
 227/176.1
 D625,417 S * 10/2010 Fox D24/171
 8,137,351 B2 3/2012 Prandi
 8,584,853 B2 11/2013 Knight et al.
 8,596,514 B2 12/2013 Miller et al.
 9,017,331 B2* 4/2015 Fox A61B 17/0642
 606/75
 9,107,661 B2* 8/2015 Euteneuer A61B 17/0642
 9,271,726 B2* 3/2016 Euteneuer A61B 17/0642
 9,295,463 B2* 3/2016 Viola A61B 17/0057
 9,402,624 B1* 8/2016 Scott A61B 17/0642
 2005/0096660 A1 5/2005 Allen
 2009/0062800 A1 3/2009 Shano
 2010/0133316 A1 6/2010 Lizee et al.
 2012/0024937 A1 2/2012 Allen
 2013/0026206 A1 1/2013 Fox

2013/0026207 A1 1/2013 Fox
 2013/0030437 A1 1/2013 Fox
 2013/0030438 A1 1/2013 Fox
 2013/0184768 A1 7/2013 McIff et al.
 2014/0018809 A1 1/2014 Allen
 2014/0097228 A1 4/2014 Taylor et al.

FOREIGN PATENT DOCUMENTS

EP 0857462 A1 1/1998
 EP 0826340 A3 3/1998
 EP 1870042 B1 12/2007
 WO 2008129061 A1 10/2008
 WO 2013055824 A1 4/2013

OTHER PUBLICATIONS

Scott M. Russell, Design Considerations for Nitinol Bone Staples, Journals of Materials Engineering and Performance, vol. 18(5-6), Aug. 2009, USA.

* cited by examiner

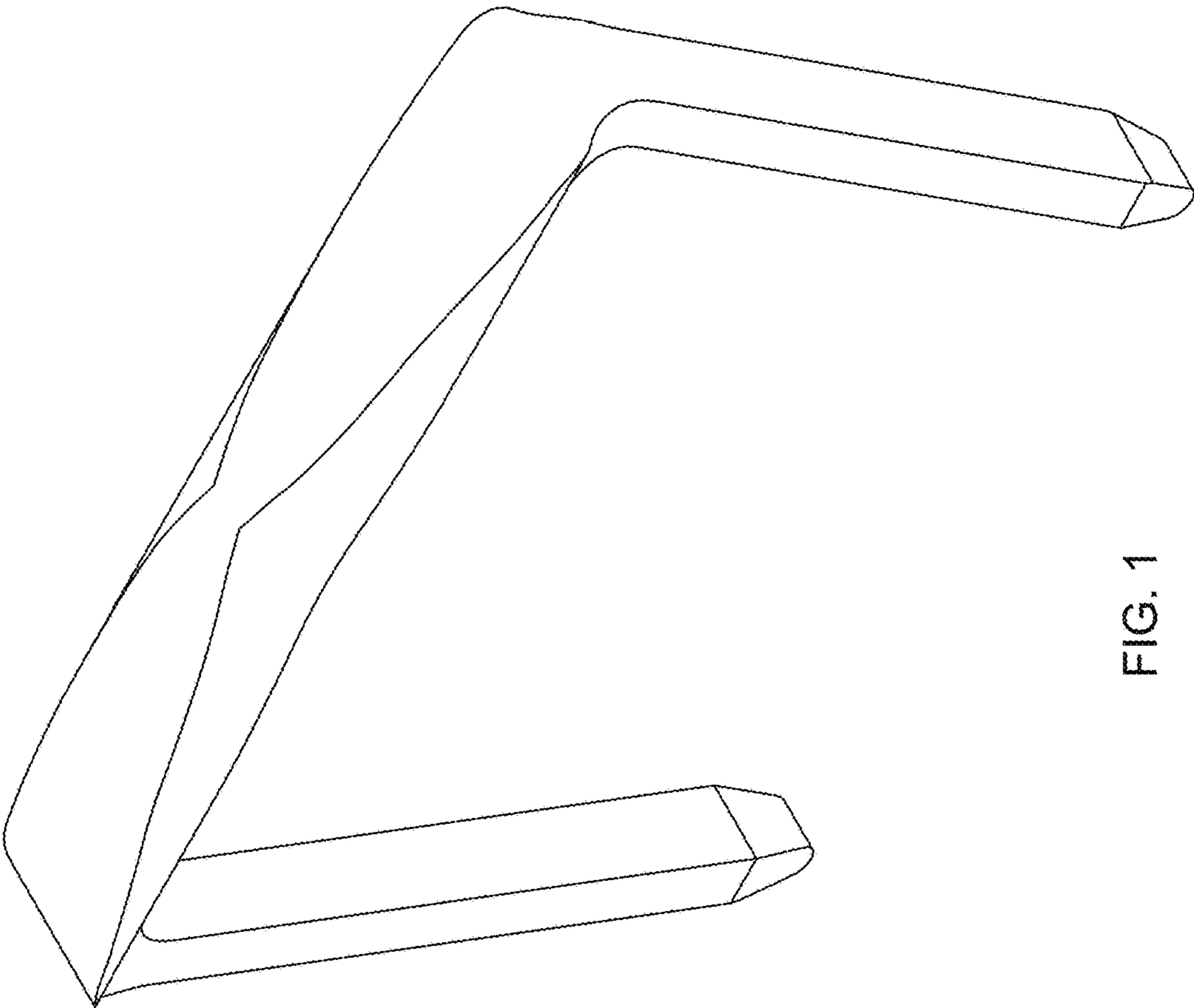


FIG. 1

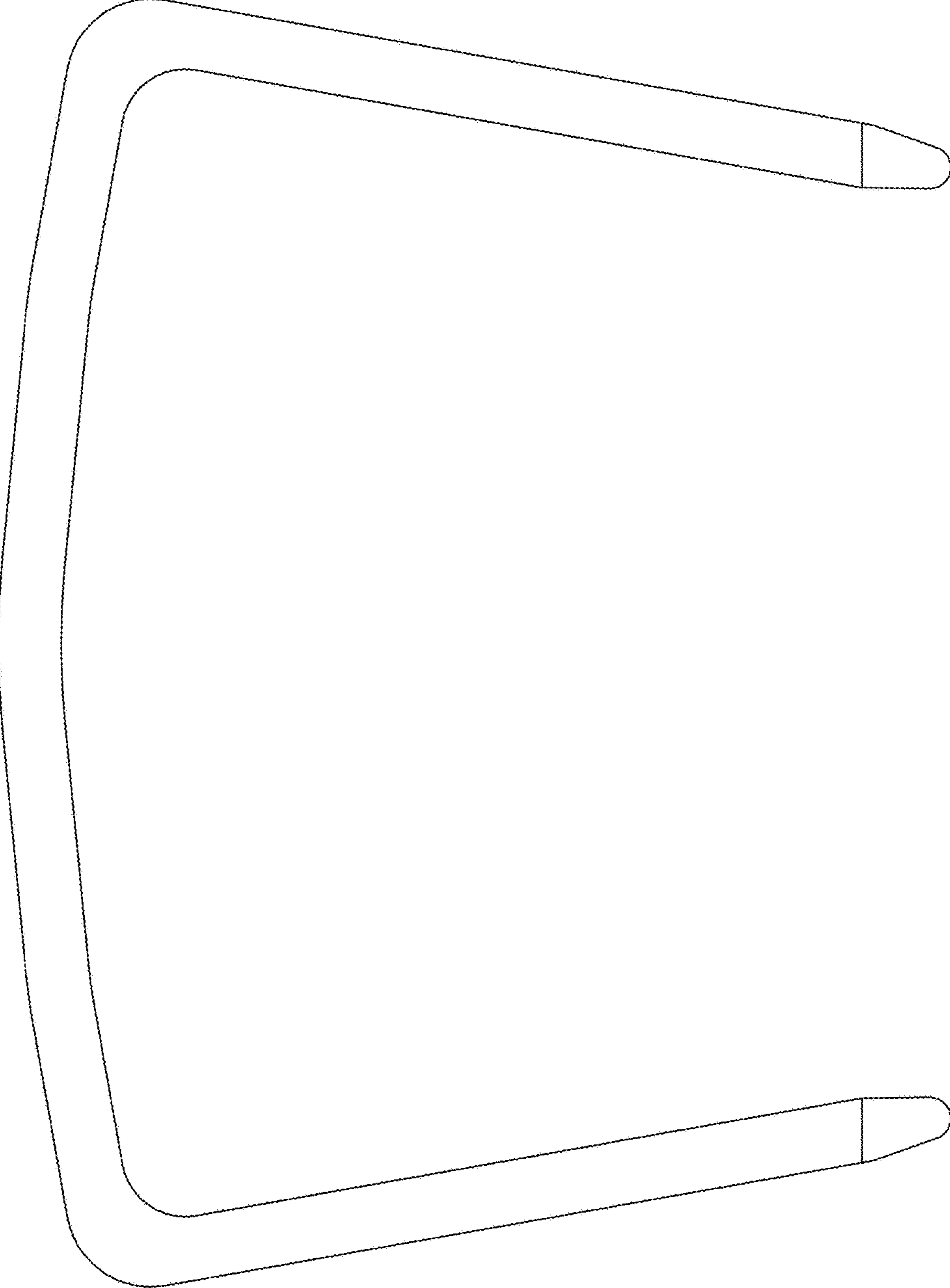


FIG. 2

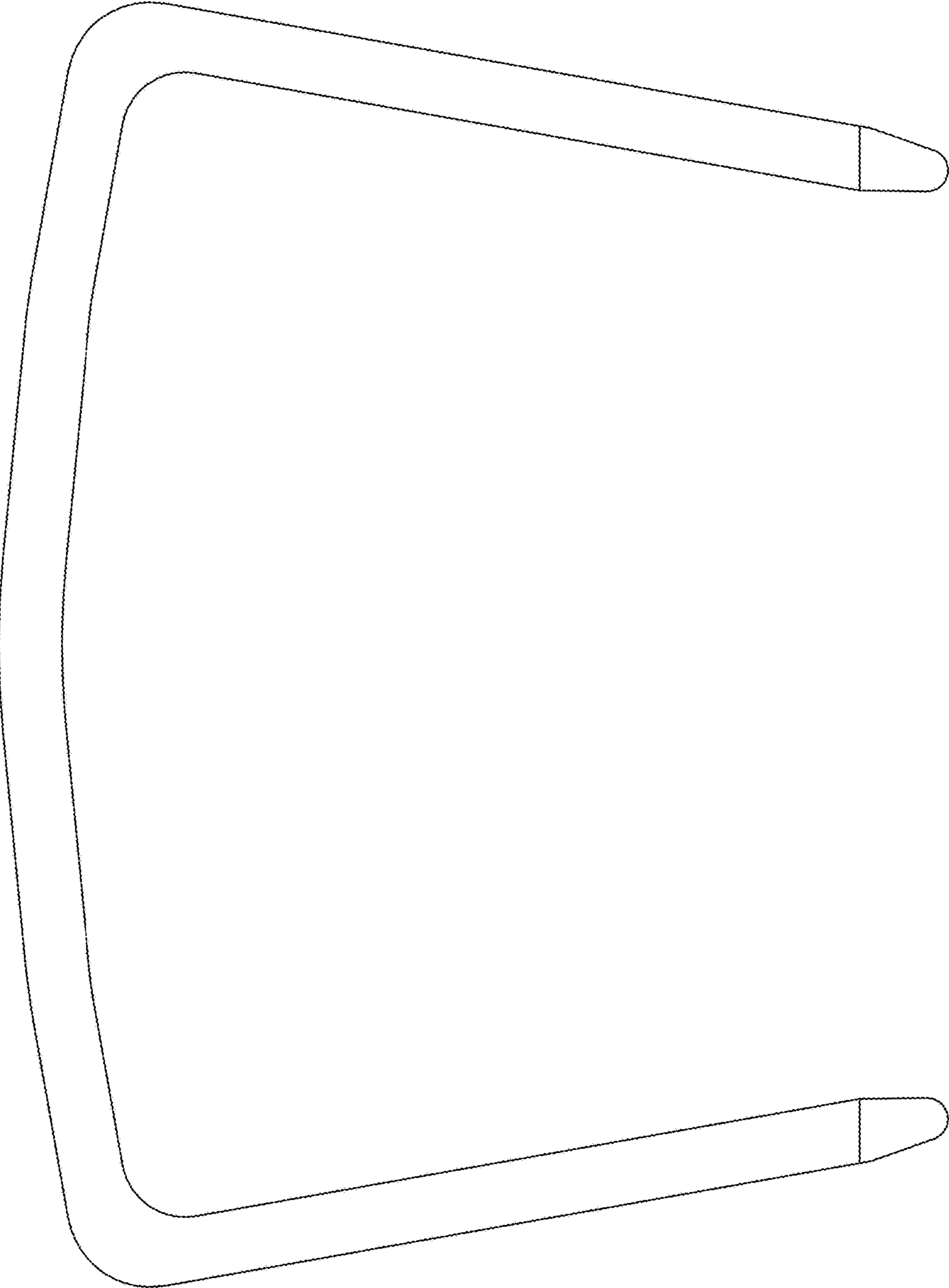


FIG. 3

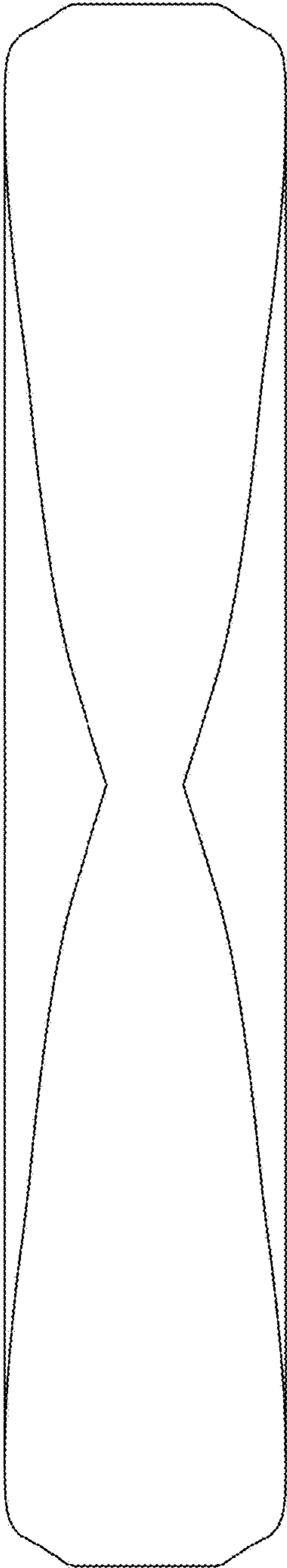


FIG. 4

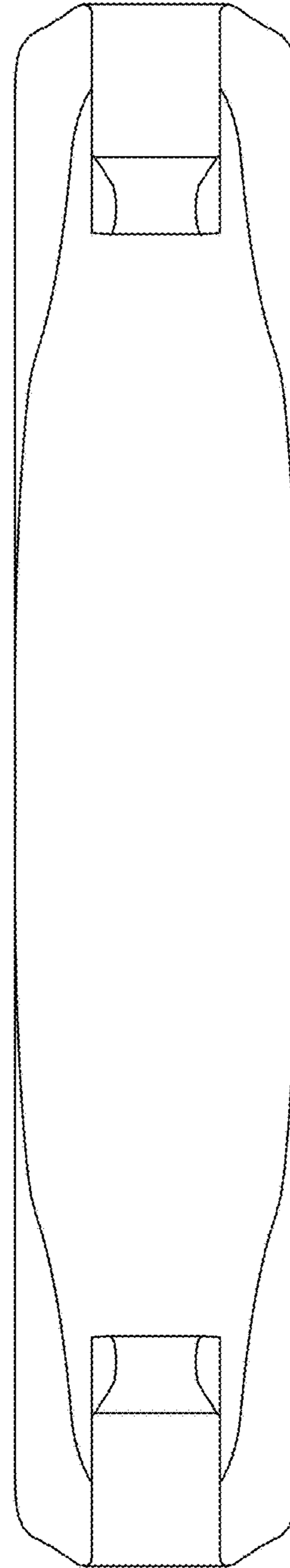


FIG. 5

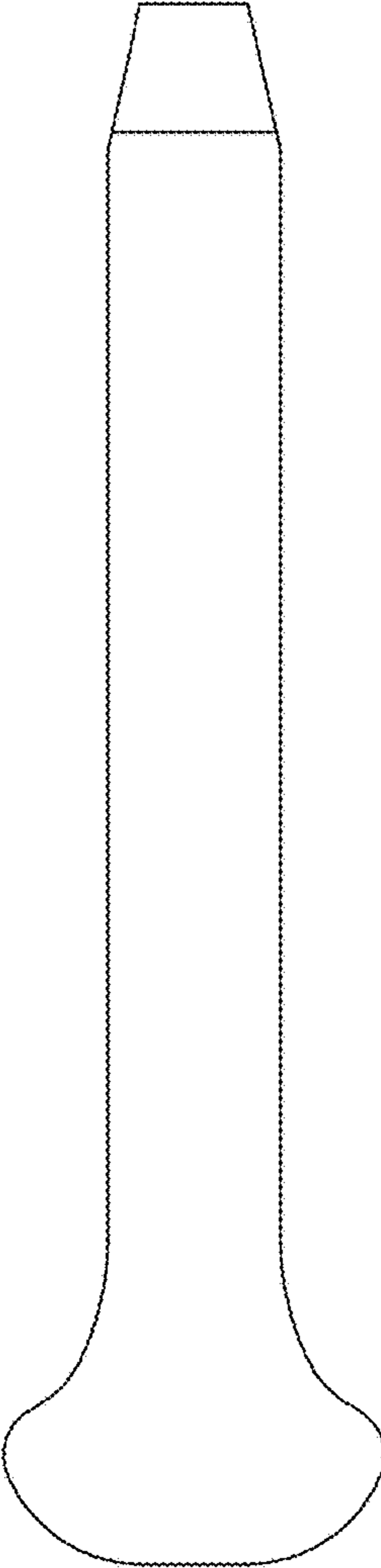


FIG. 6

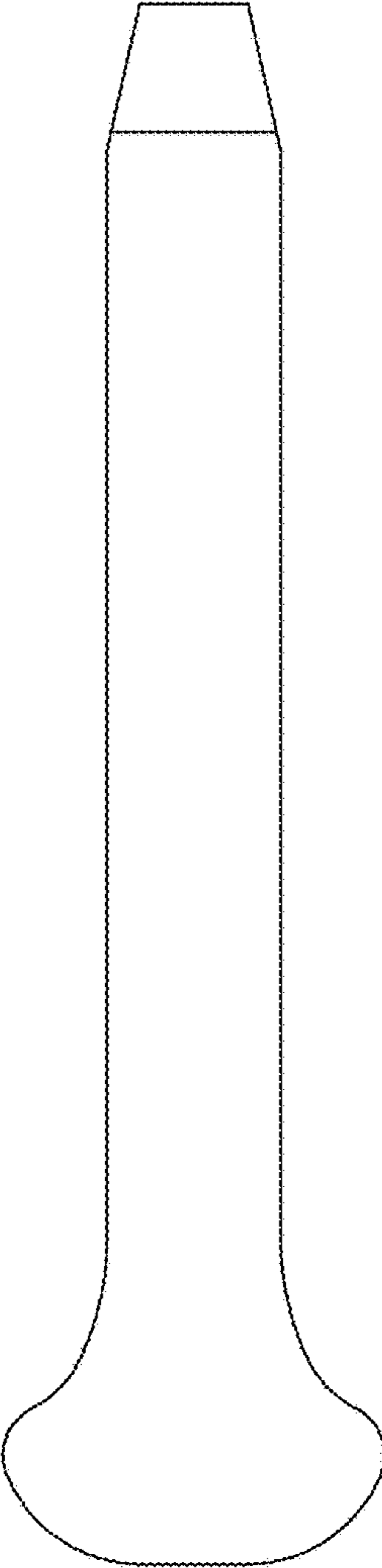


FIG. 7

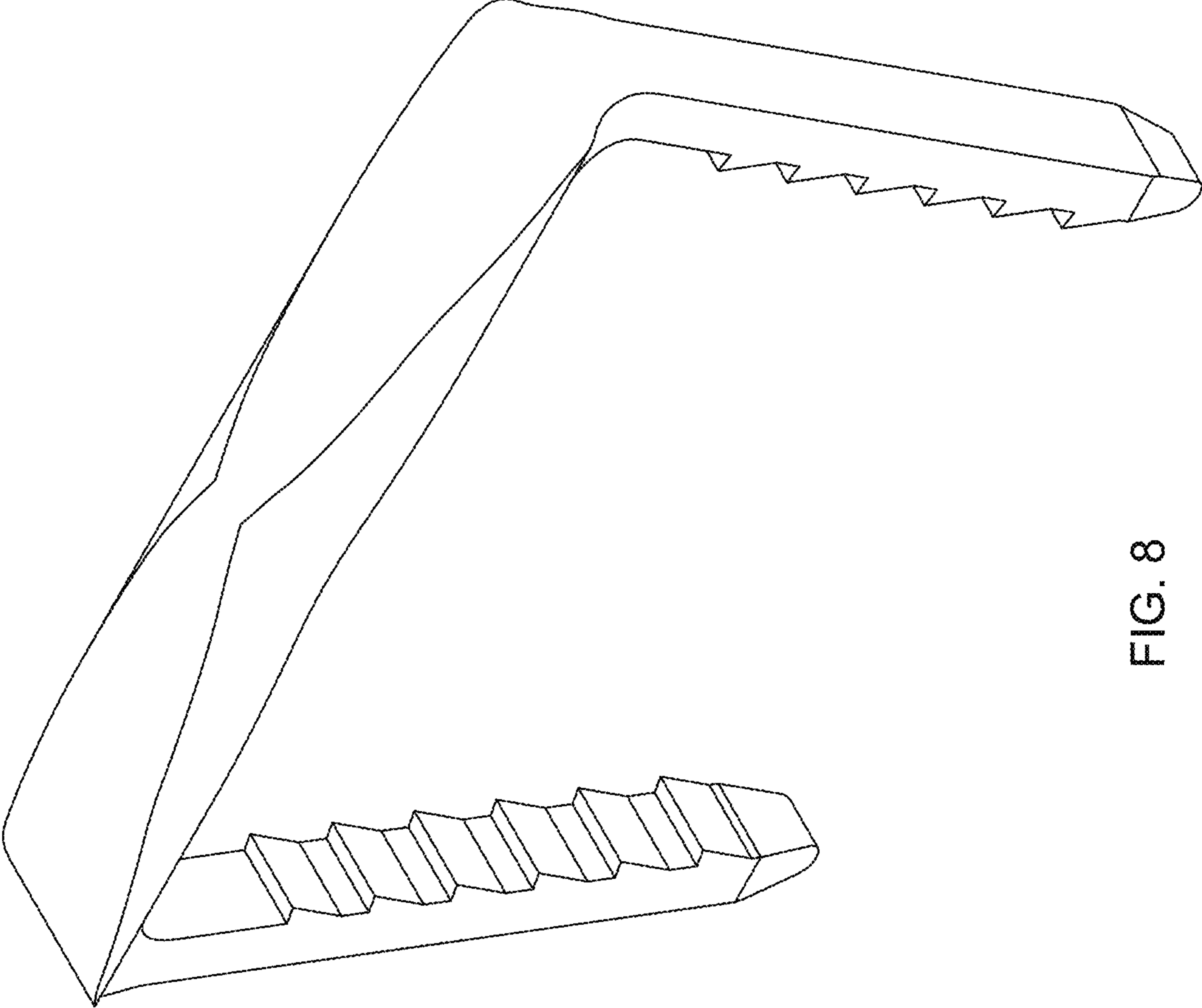


FIG. 8

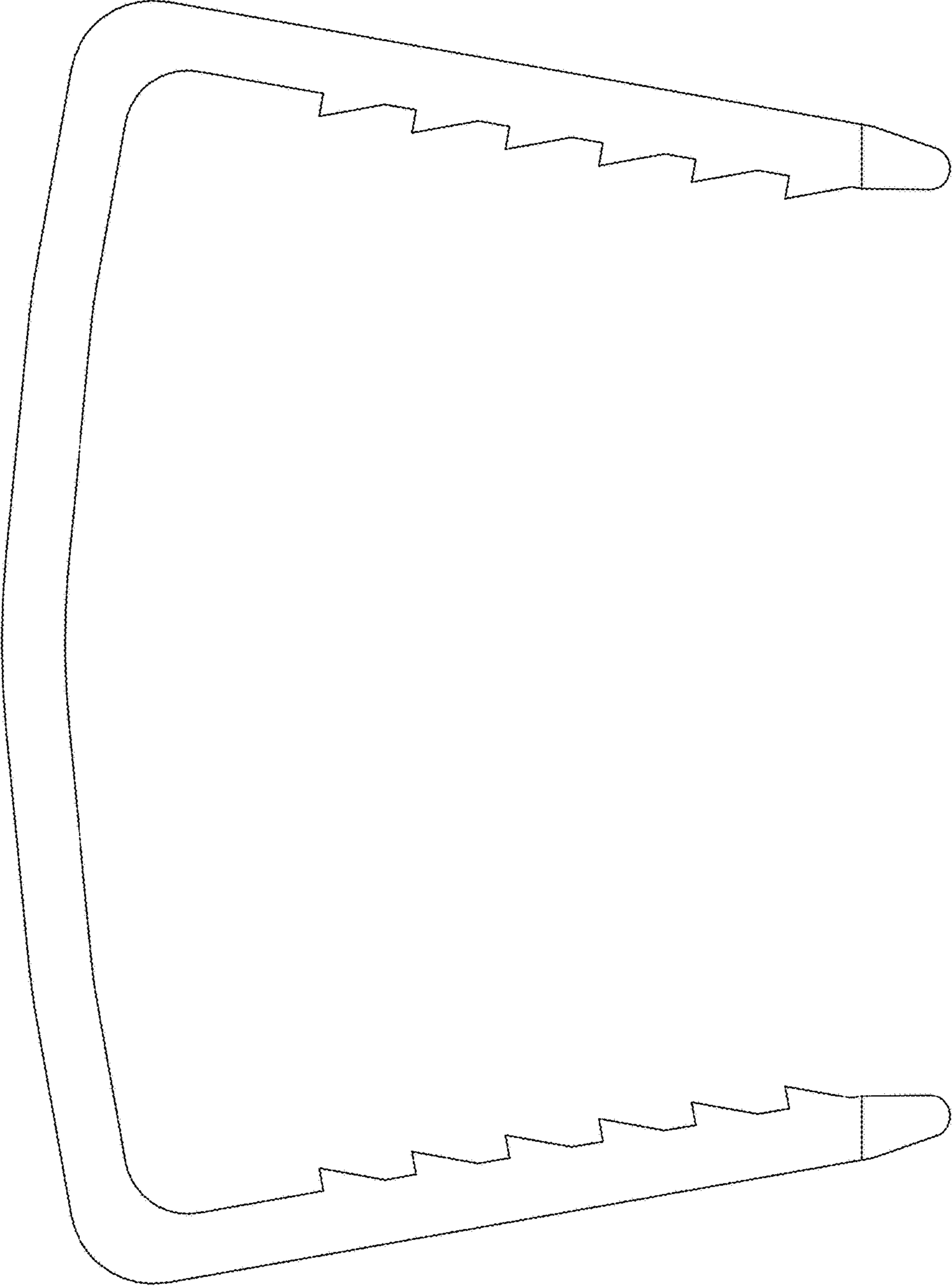


FIG. 9

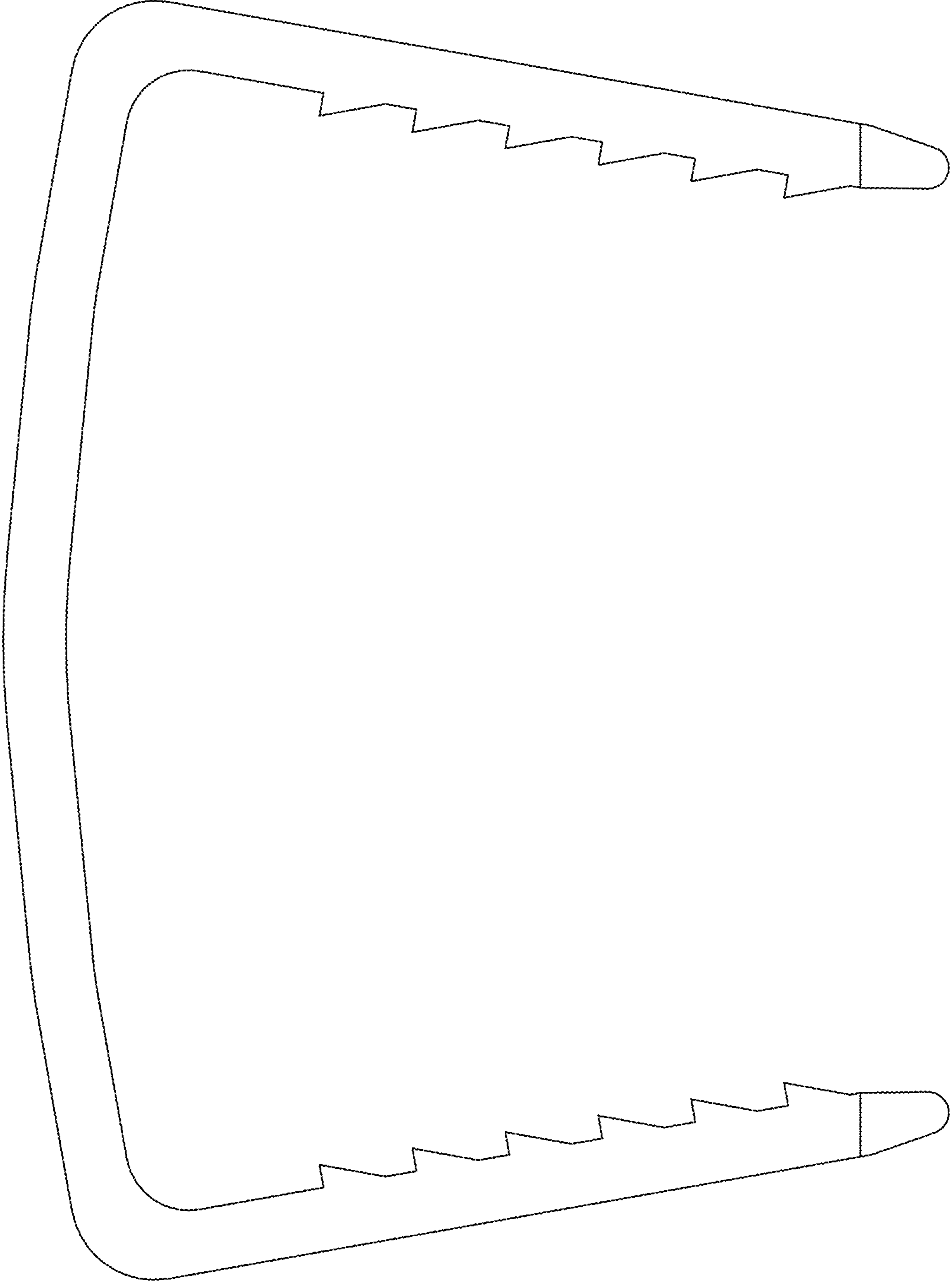


FIG. 10

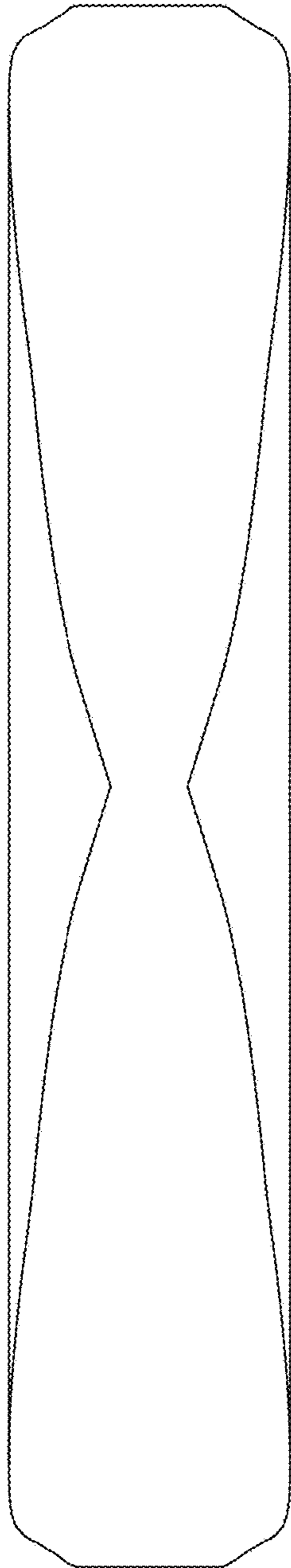


FIG. 11

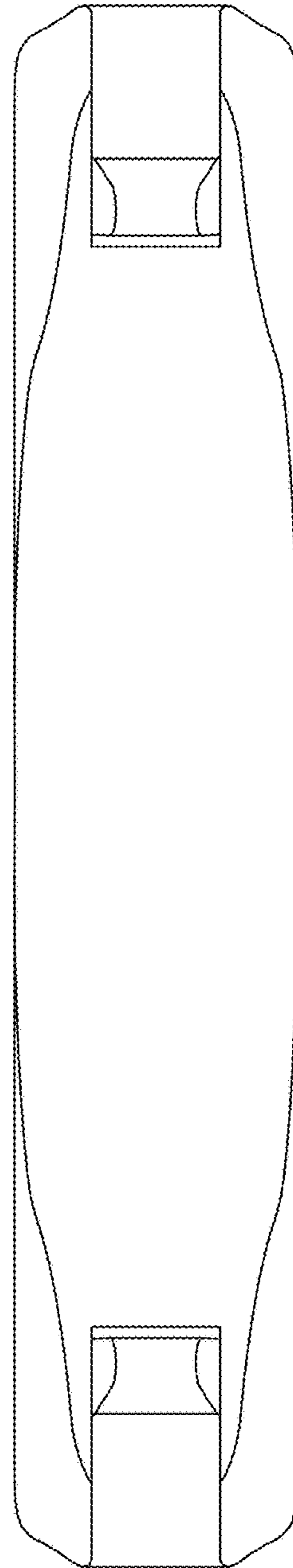


FIG. 12

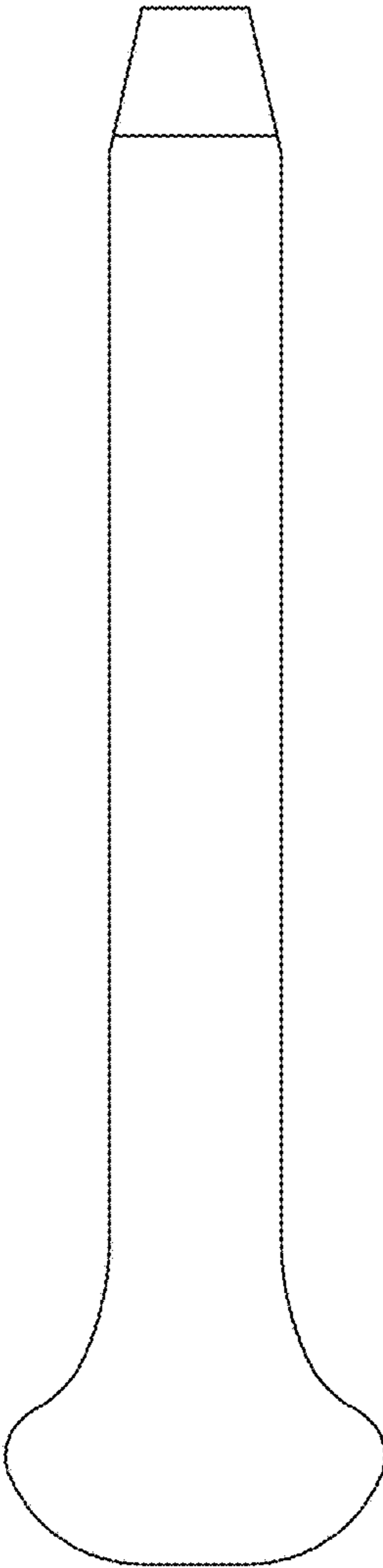


FIG. 13

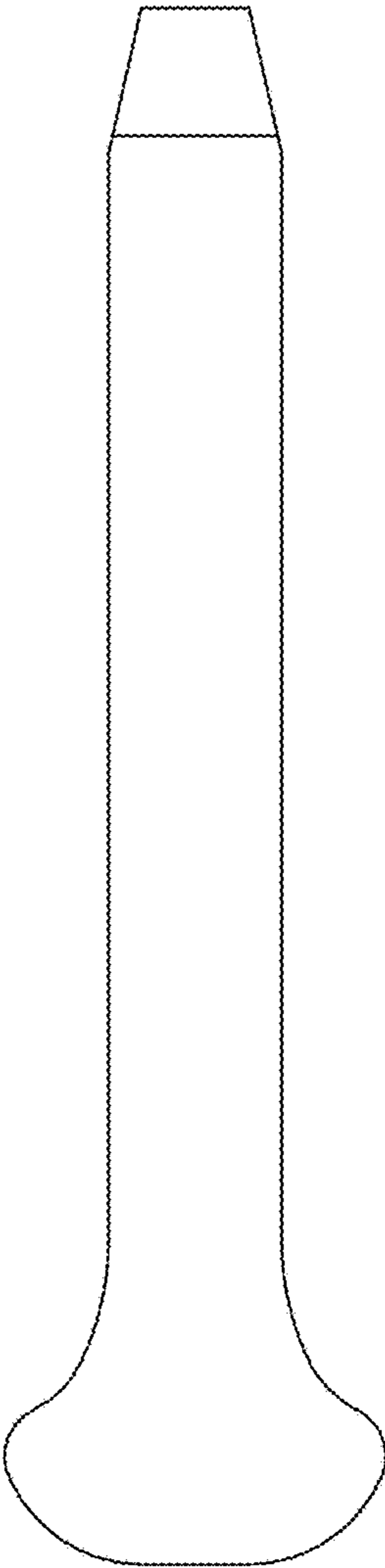


FIG. 14