



US00D780310S

(12) **United States Design Patent**
Garrison et al.

(10) **Patent No.:** **US D780,310 S**
(45) **Date of Patent:** **** Feb. 28, 2017**

(54) **DENTAL WEDGE**

DESCRIPTION

- (71) Applicant: **Garrison Dental Solutions, LLC**,
Spring Lake, MI (US)
- (72) Inventors: **Thomas D. Garrison**, Spring Lake, MI
(US); **Robert W. Anderson**, Spring
Lake, MI (US)
- (73) Assignee: **Garrison Dental Solutions, LLC**,
Spring Lake, MI (US)
- (**) Term: **15 Years**
- (21) Appl. No.: **29/548,627**
- (22) Filed: **Dec. 15, 2015**

Related U.S. Application Data

- (63) Continuation of application No. 29/510,166, filed on
Nov. 25, 2014, now Pat. No. Des. 745,676.
- (51) **LOC (10) Cl.** **24-02**
- (52) **U.S. Cl.**
USPC **D24/152**
- (58) **Field of Classification Search**
USPC D24/147, 152; 433/39-40, 72, 148-149
(Continued)

(56) **References Cited**

U.S. PATENT DOCUMENTS

- 3,815,243 A * 6/1974 Eames A61C 5/127
433/149
- 5,743,738 A * 4/1998 Baffelli A61C 5/127
433/149

(Continued)

Primary Examiner — Wan Laymon

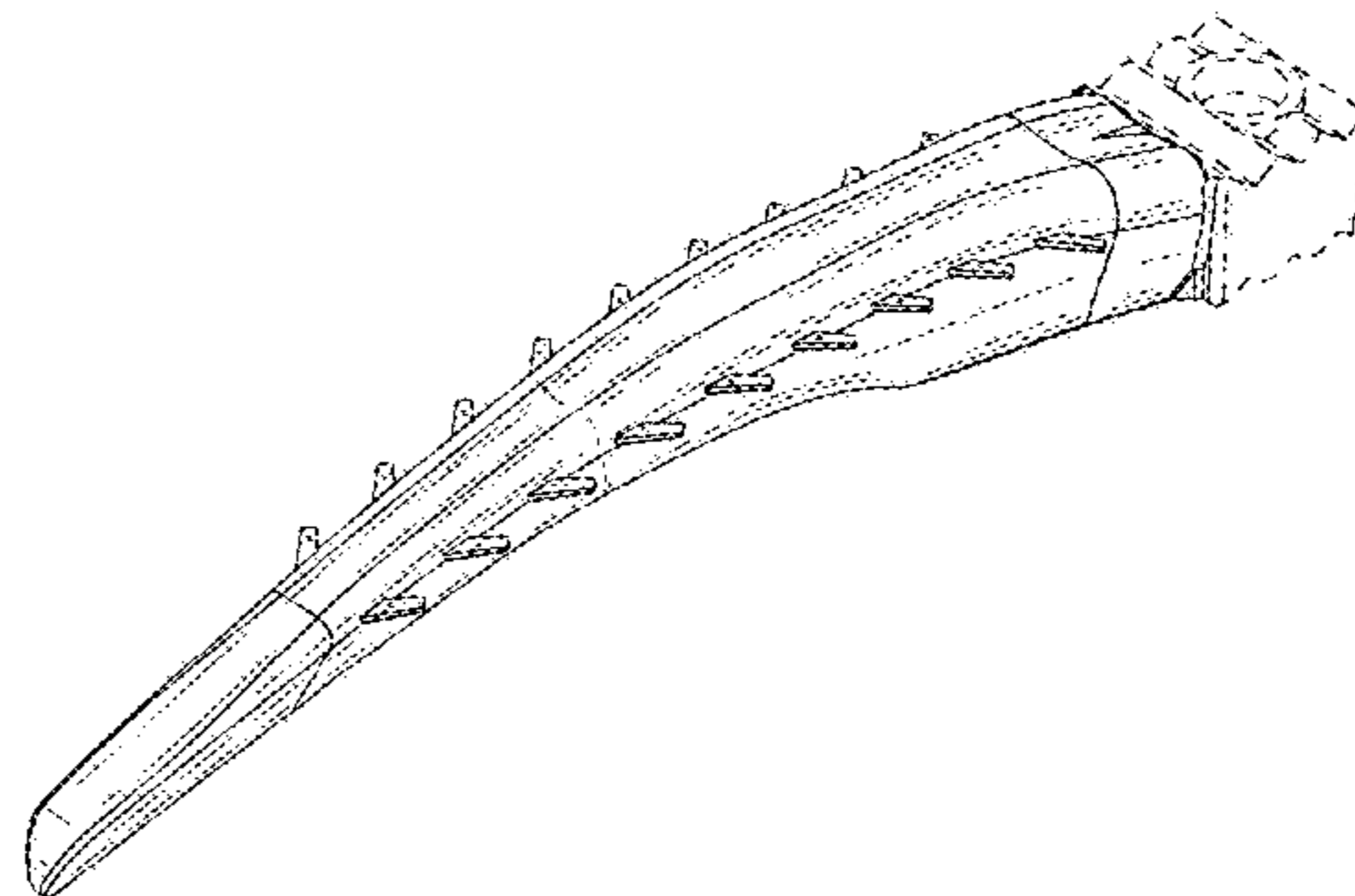
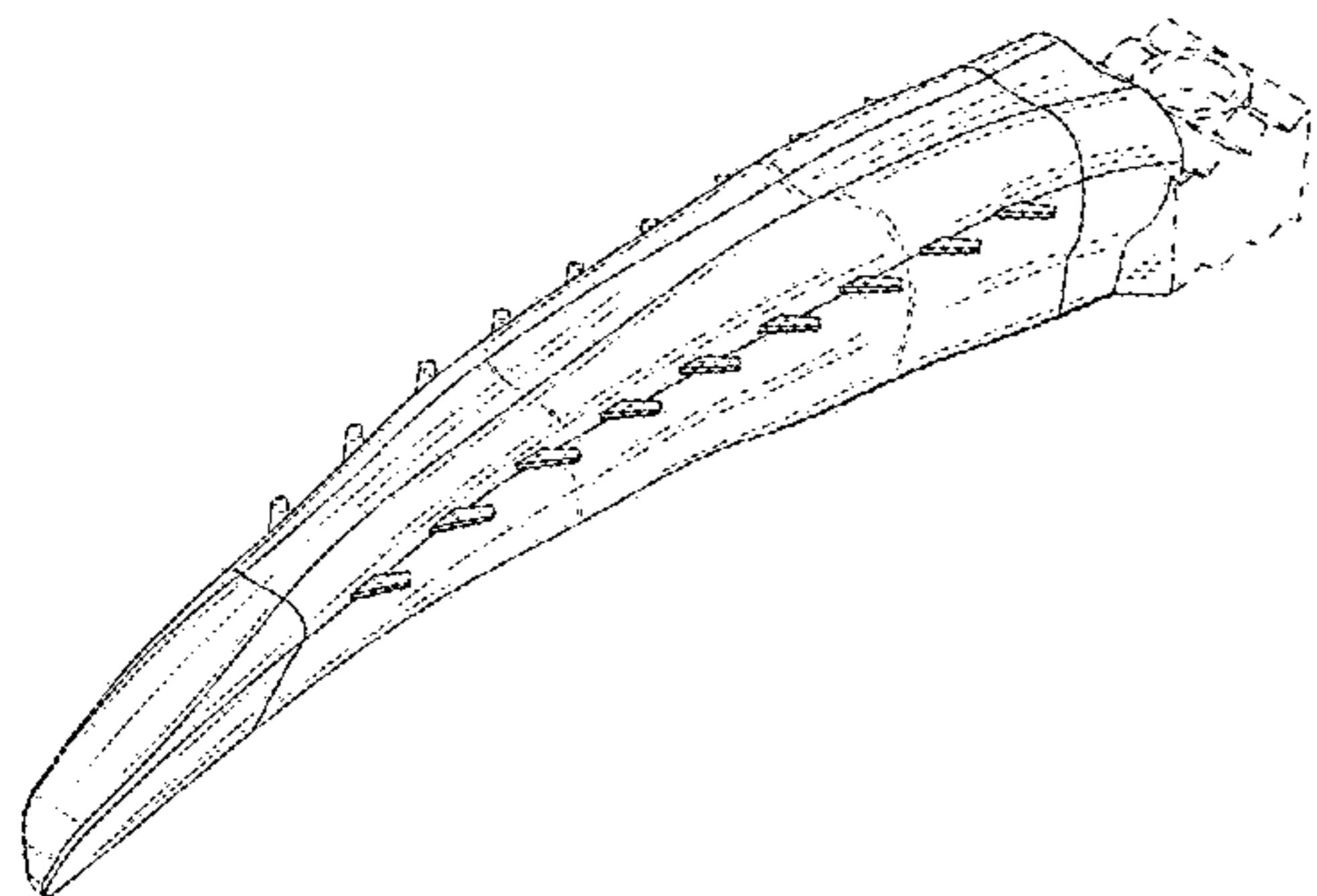
(74) *Attorney, Agent, or Firm* — Warner Norcross & Judd
LLP

(57) **CLAIM**

The ornamental design for a dental wedge, as shown and
described.

FIG. 1 is a perspective view of a dental wedge showing my new design;
 FIG. 2 is a top plan view thereof;
 FIG. 3 is a bottom plan view thereof;
 FIG. 4 is a first side elevation view thereof;
 FIG. 5 is a second side elevation view thereof;
 FIG. 6 is a first end view thereof;
 FIG. 7 is a second end view thereof;
 FIG. 8 is a perspective view of another embodiment of a dental wedge;
 FIG. 9 is a top plan view of the dental wedge of FIG. 8;
 FIG. 10 is a bottom plan view of the dental wedge of FIG. 8;
 FIG. 11 is a first side view of the dental wedge of FIG. 8;
 FIG. 12 is a second side view of the dental wedge of FIG. 8;
 FIG. 13 is a first end view of the dental wedge of FIG. 8;
 FIG. 14 is a second end view of the dental wedge of FIG. 8;
 FIG. 15 is a perspective view of another embodiment of the dental wedge;
 FIG. 16 is a top plan view of the dental wedge of FIG. 15;
 FIG. 17 is a bottom plan view of the dental wedge of FIG. 15;
 FIG. 18 is a first side view of the dental wedge of FIG. 15;
 FIG. 19 is a second side view of the dental wedge of FIG. 15;
 FIG. 20 is a first end view of the dental wedge of FIG. 15;
 FIG. 21 is a second end view of the dental wedge of FIG. 15;
 FIG. 22 is a perspective view of another embodiment of the dental wedge;
 FIG. 23 is a top plan view of the dental wedge of FIG. 22;
 FIG. 24 is a bottom plan view of the dental wedge of FIG. 22;
 FIG. 25 is a first side view of the dental wedge of FIG. 22;
 FIG. 26 is a second side view of the dental wedge of FIG. 22;
 FIG. 27 is a first end view of the dental wedge of FIG. 22;
 and,
 FIG. 28 is a second end view of the dental wedge of FIG. 22.

(Continued)



The broken lines shown in the figures are included for the purpose of illustrating portions of the dental wedge and form no part of the claimed design.

1 Claim, 8 Drawing Sheets

(58) **Field of Classification Search**

CPC A61C 5/125; A61C 5/127; A61C 15/00;
A61C 15/02

See application file for complete search history.

(56) **References Cited**

U.S. PATENT DOCUMENTS

6,074,210	A *	6/2000	Garrison	A61C 5/127 433/149
6,468,080	B1 *	10/2002	Fischer	A61C 5/127 433/149
7,223,101	B2 *	5/2007	Garrison	A61C 5/127 433/149
8,425,228	B2 *	4/2013	McDonald	A61C 5/127 433/148
2014/0342311	A1 *	11/2014	McDonald	A61C 5/127 433/138
2014/0356811	A1 *	12/2014	Erskine-Smith	A61C 5/127 433/149

* cited by examiner

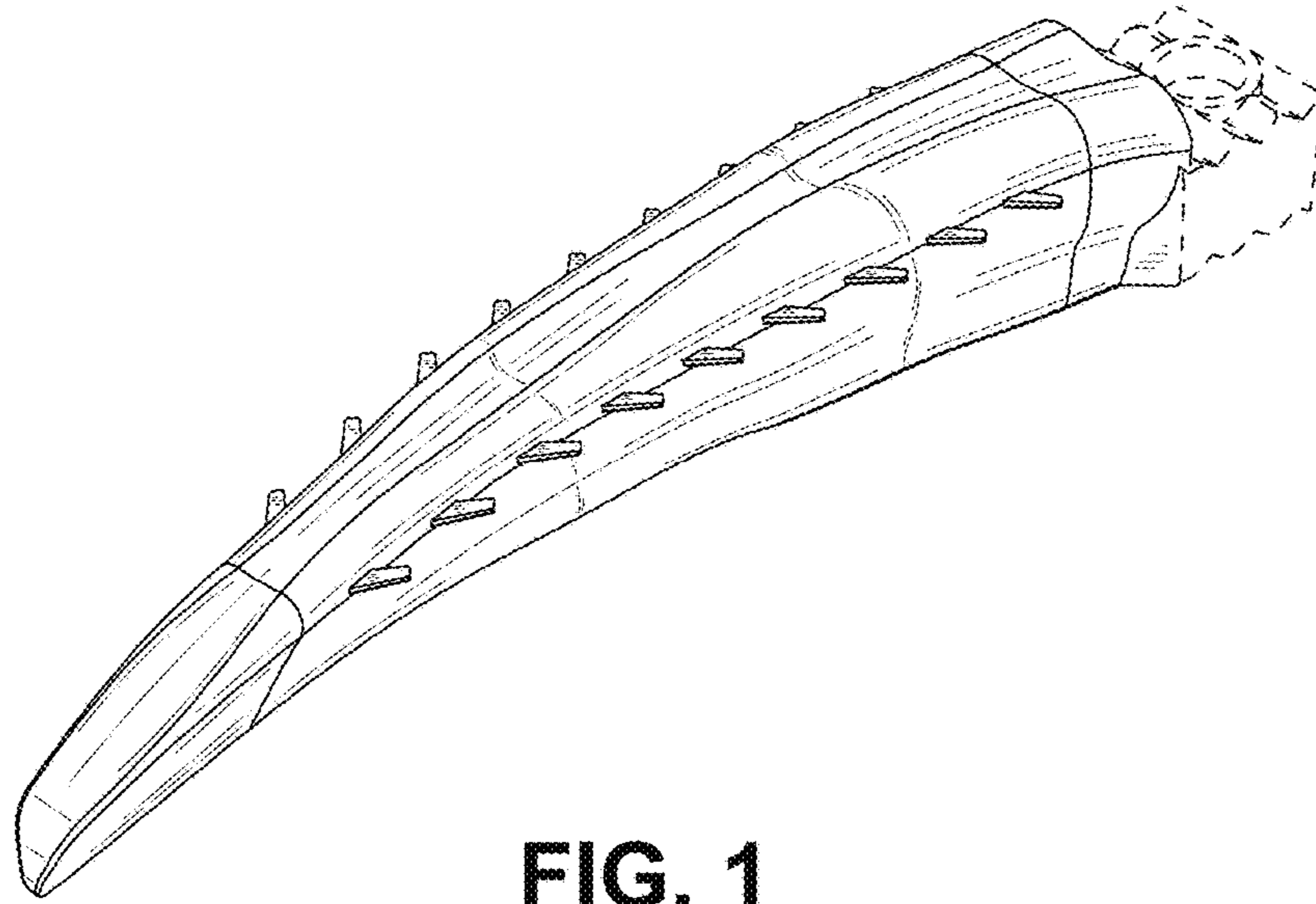


FIG. 1

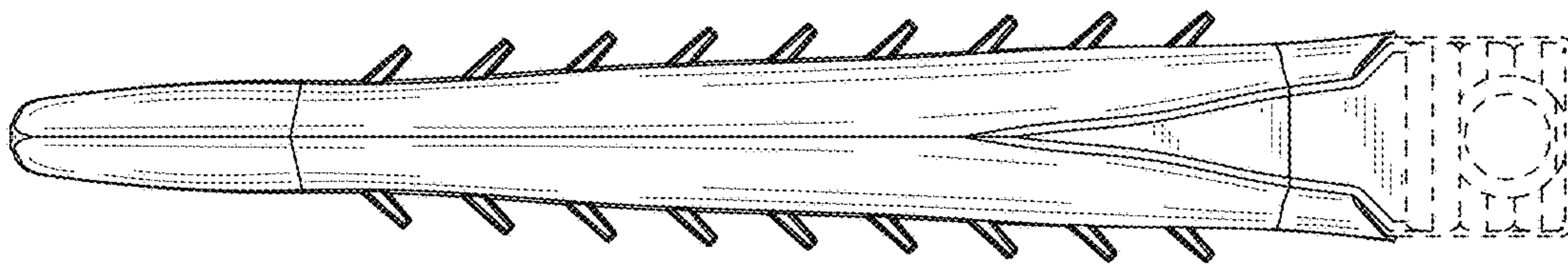


FIG. 2

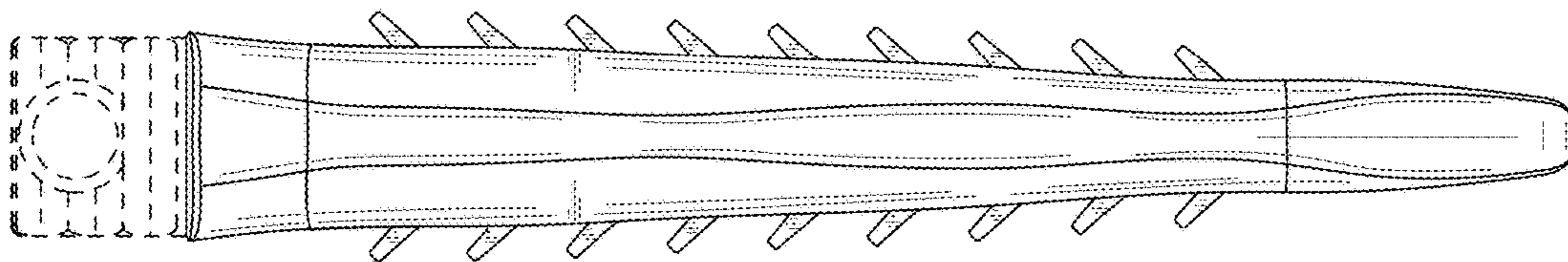


FIG. 3

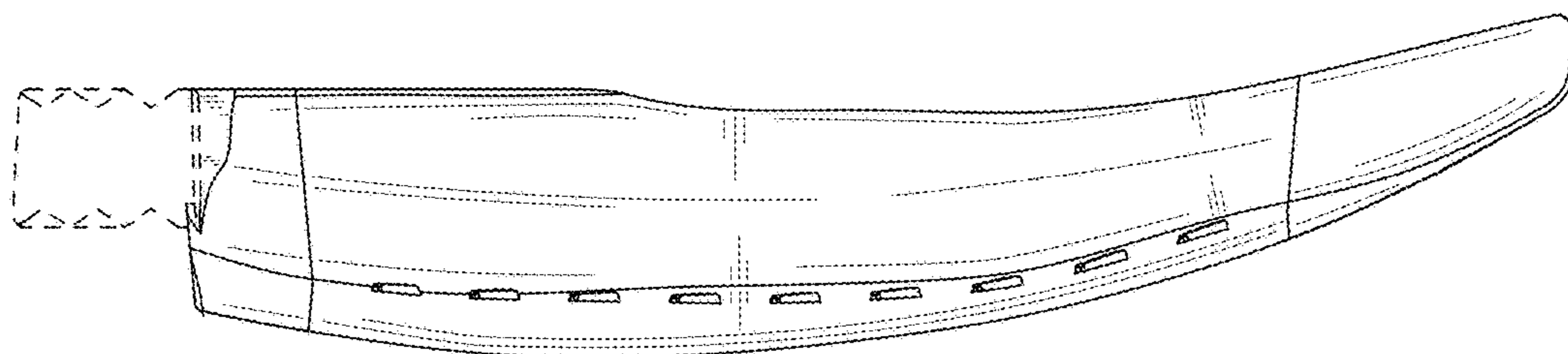


FIG. 4

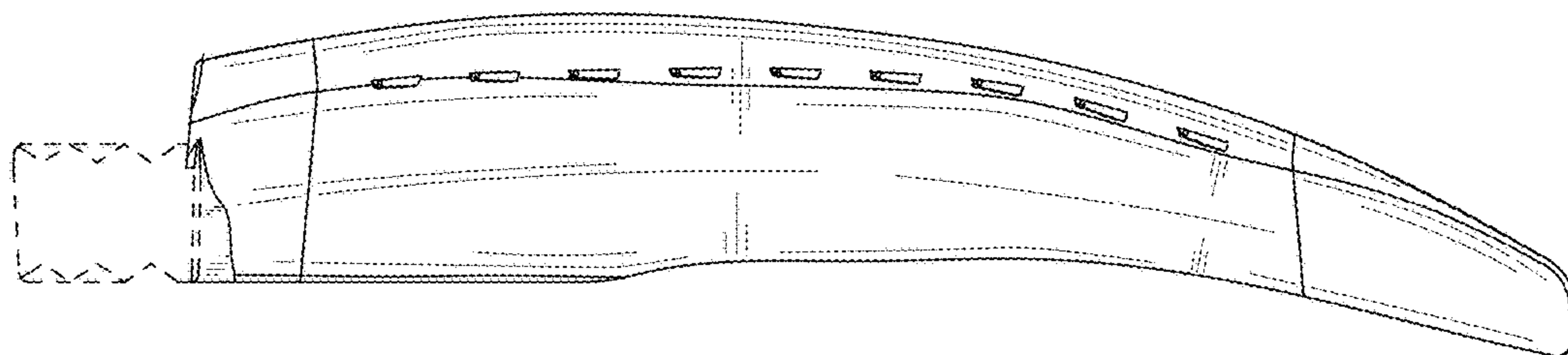


FIG. 5

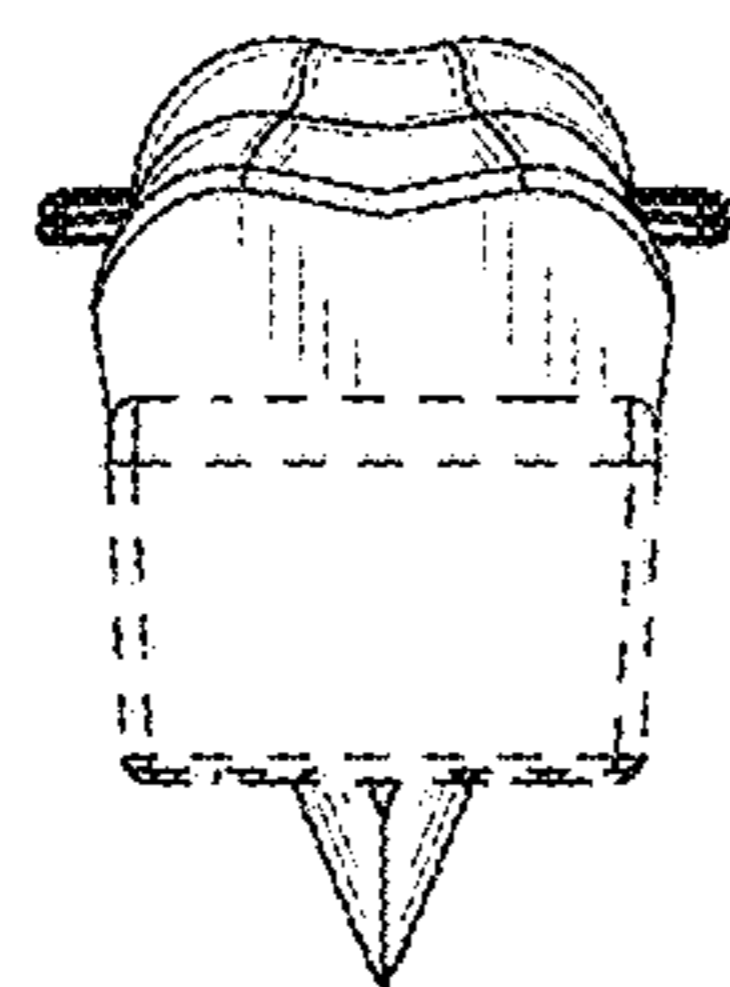


FIG. 6

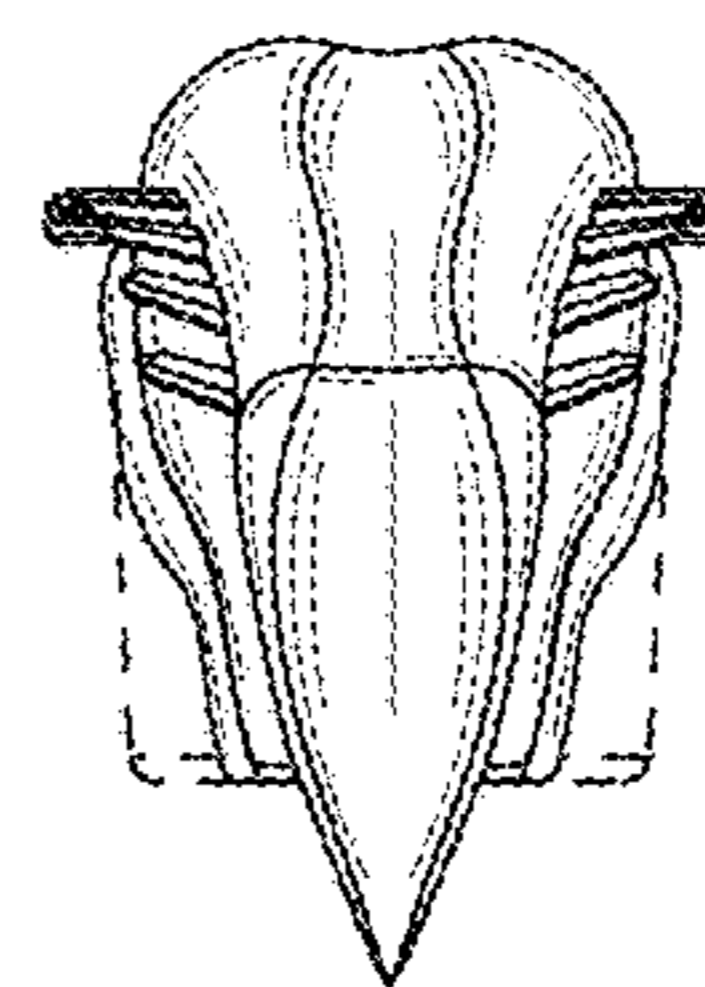


FIG. 7

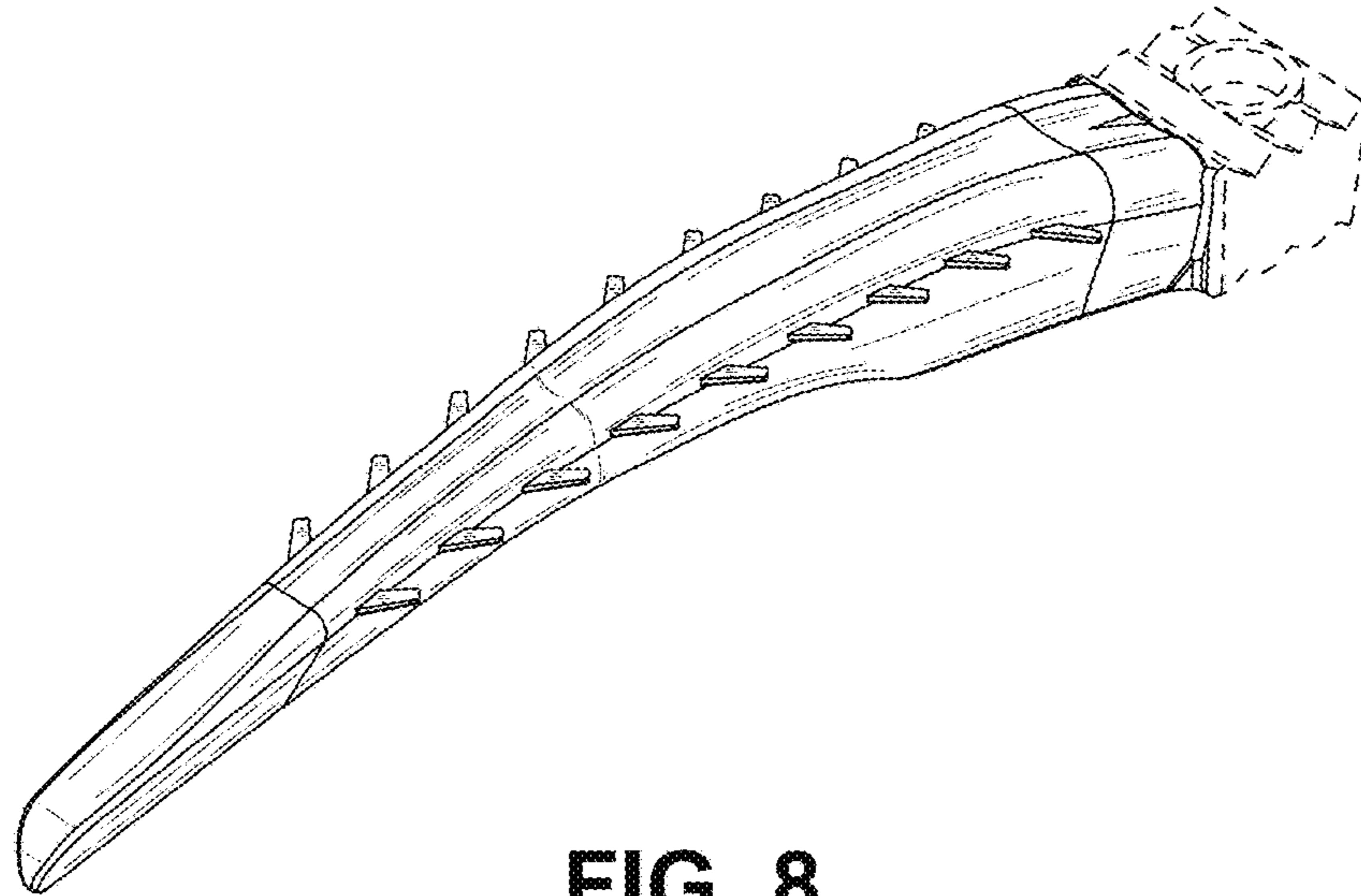


FIG. 8

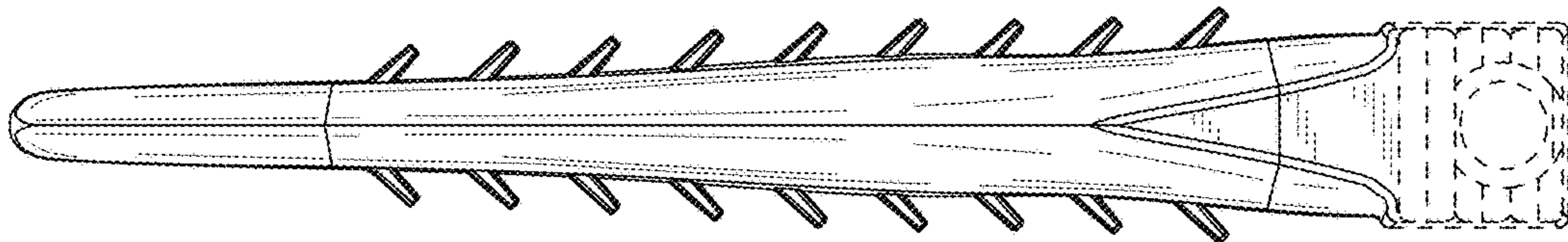


FIG. 9

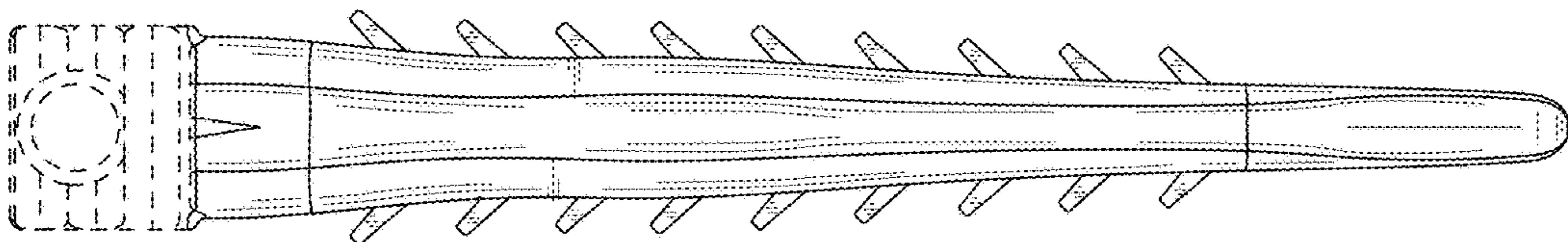


FIG. 10

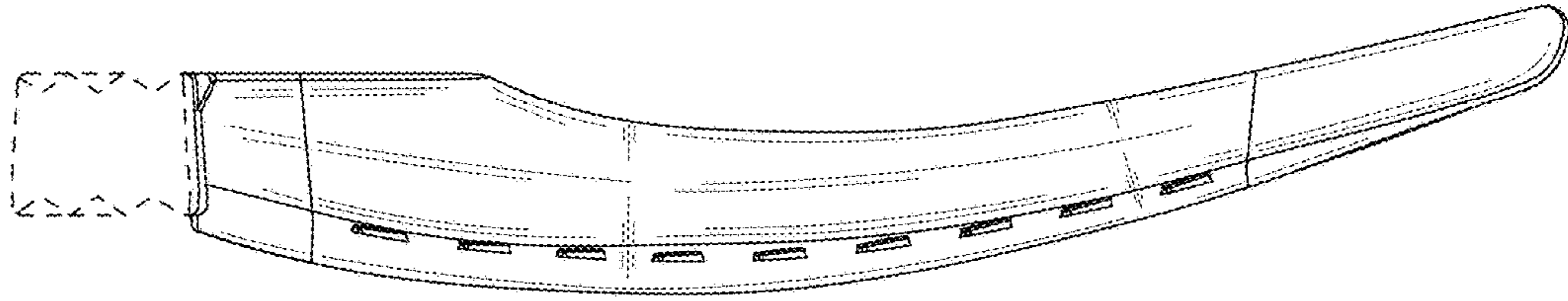


FIG. 11

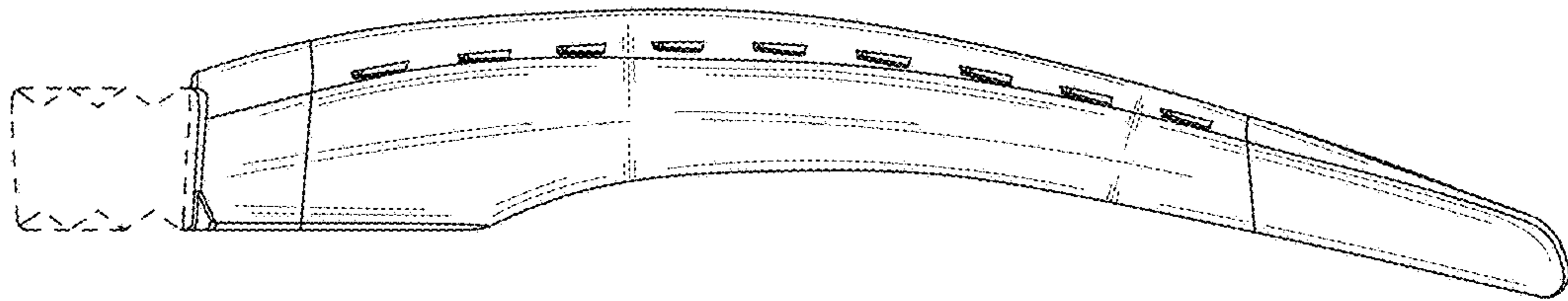


FIG. 12

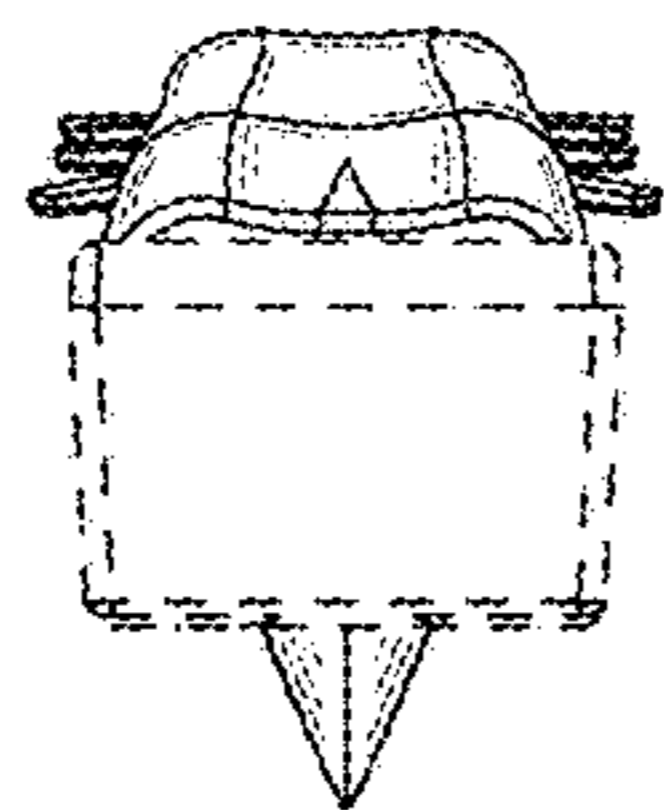


FIG. 13

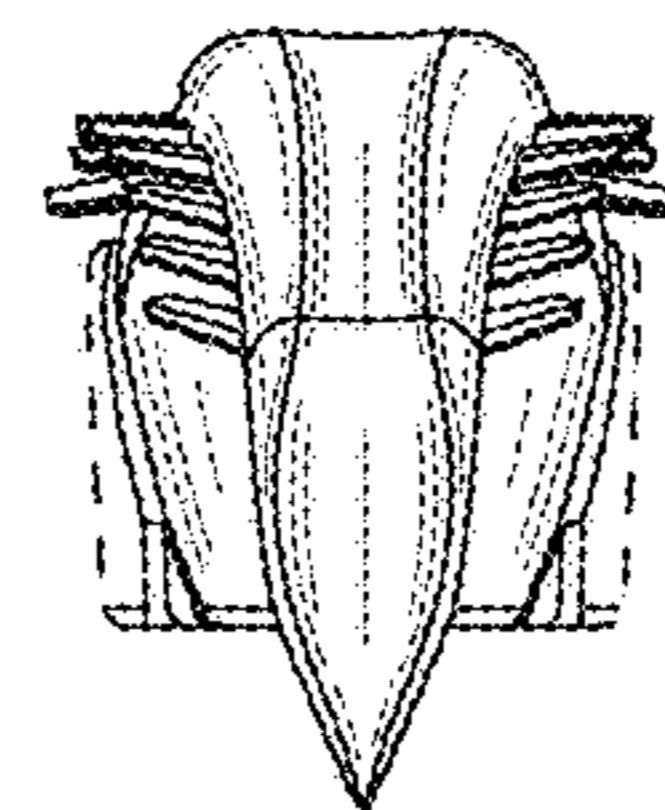


FIG. 14

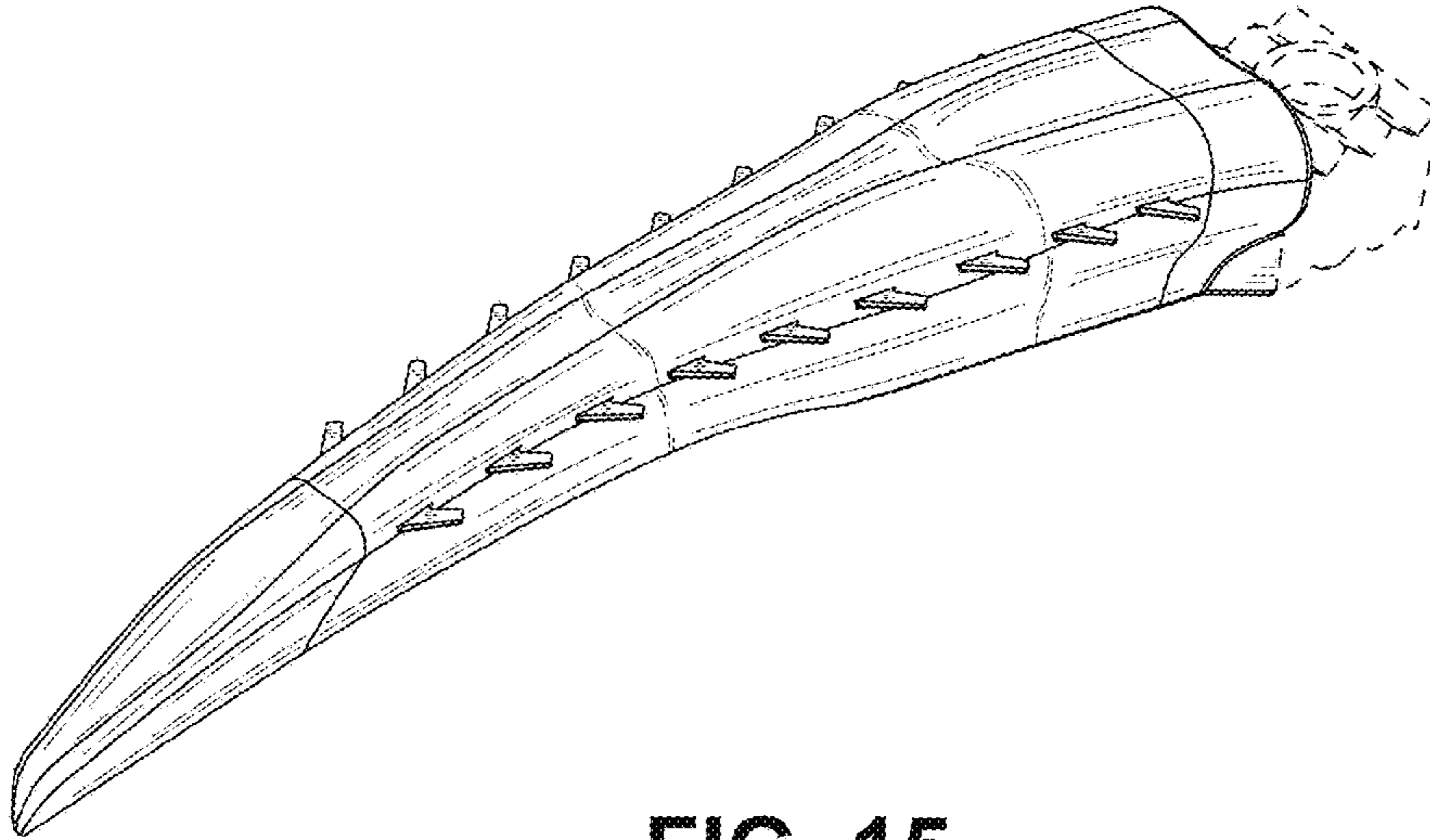


FIG. 15

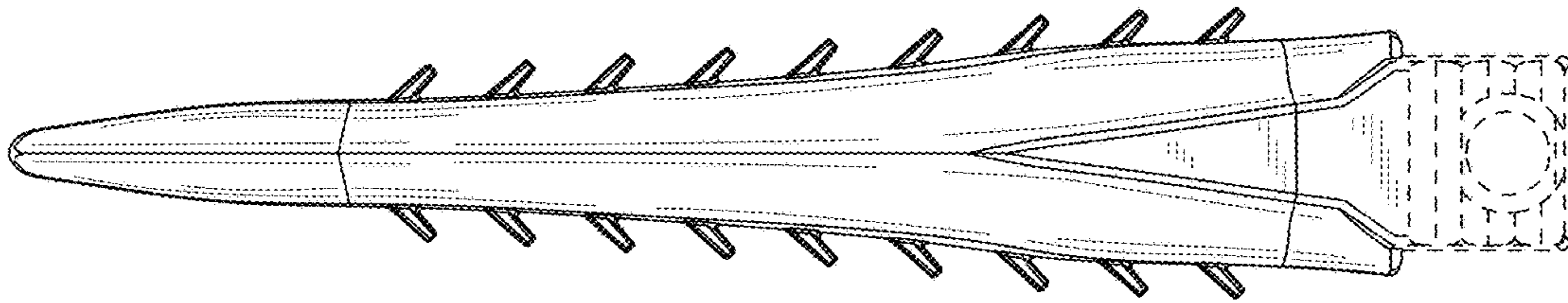


FIG. 16

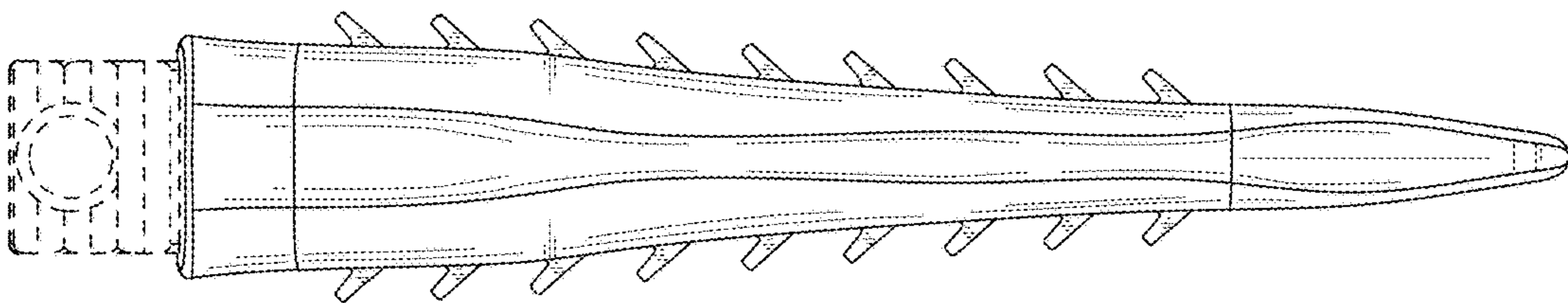


FIG. 17

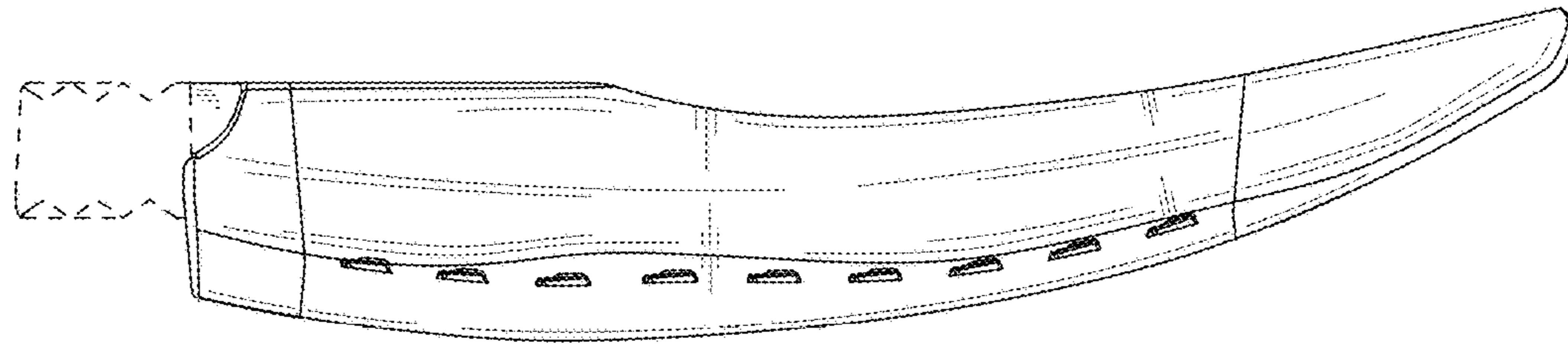


FIG. 18

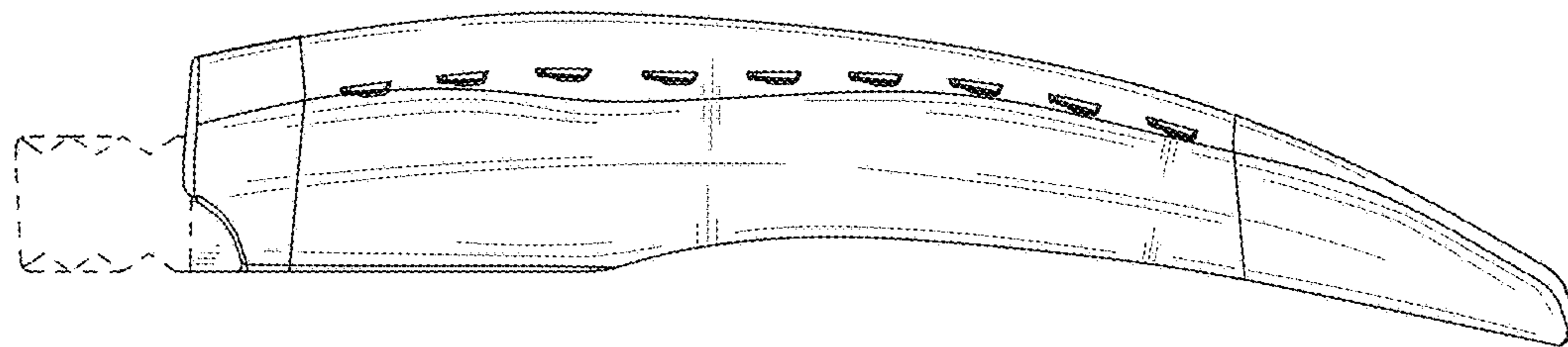


FIG. 19

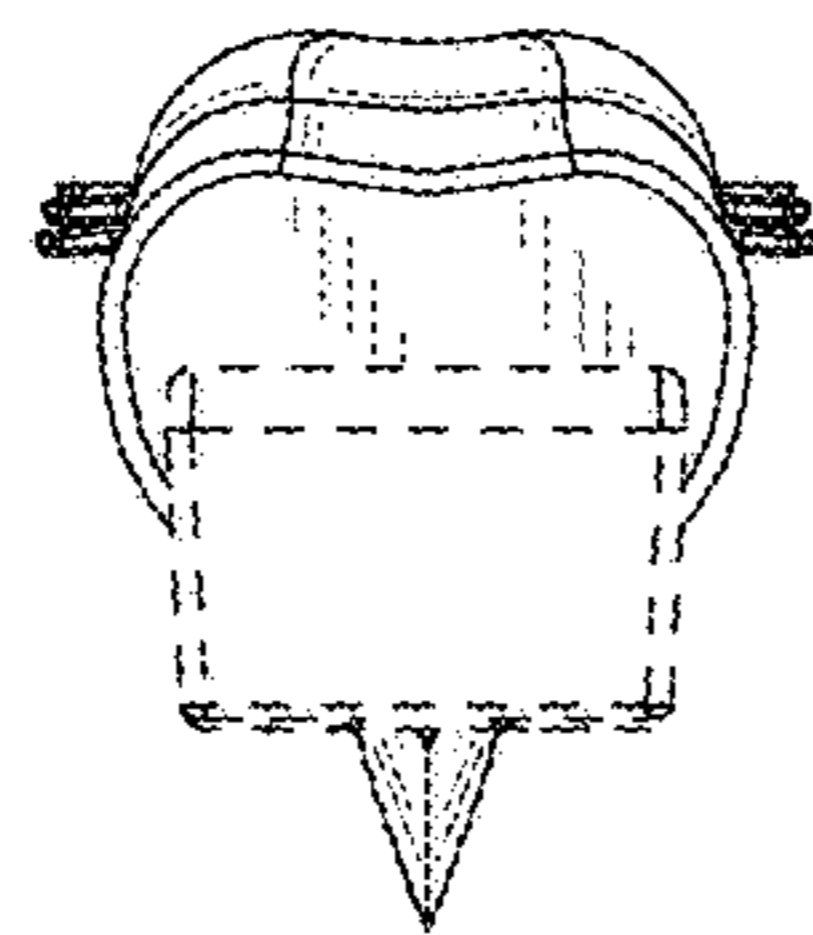


FIG. 20

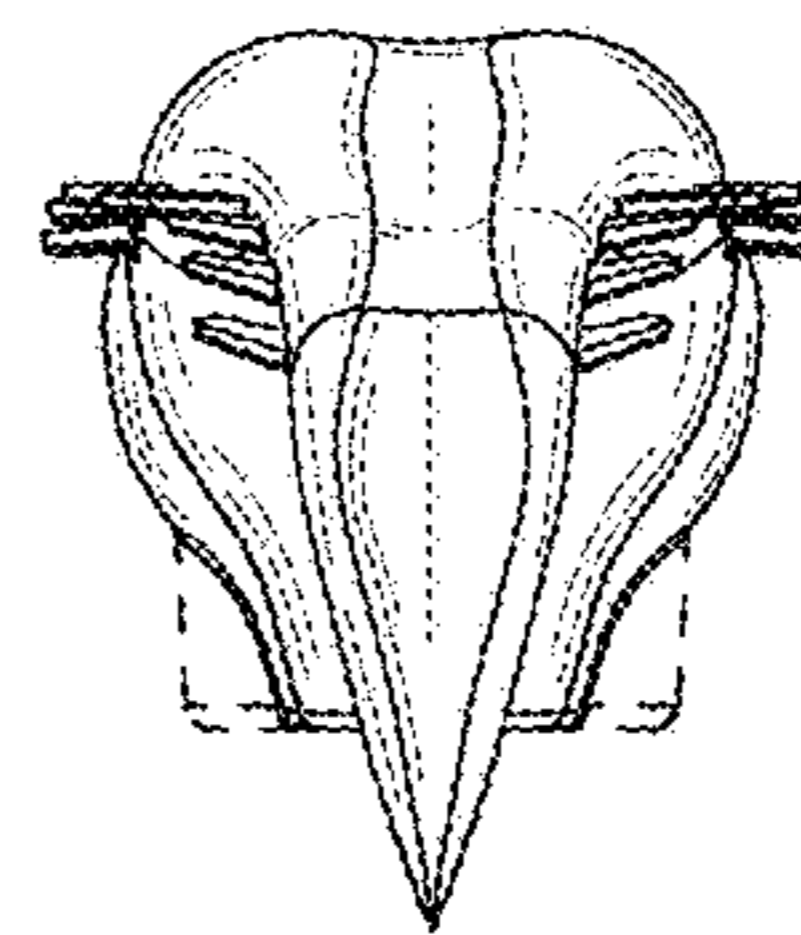


FIG. 21

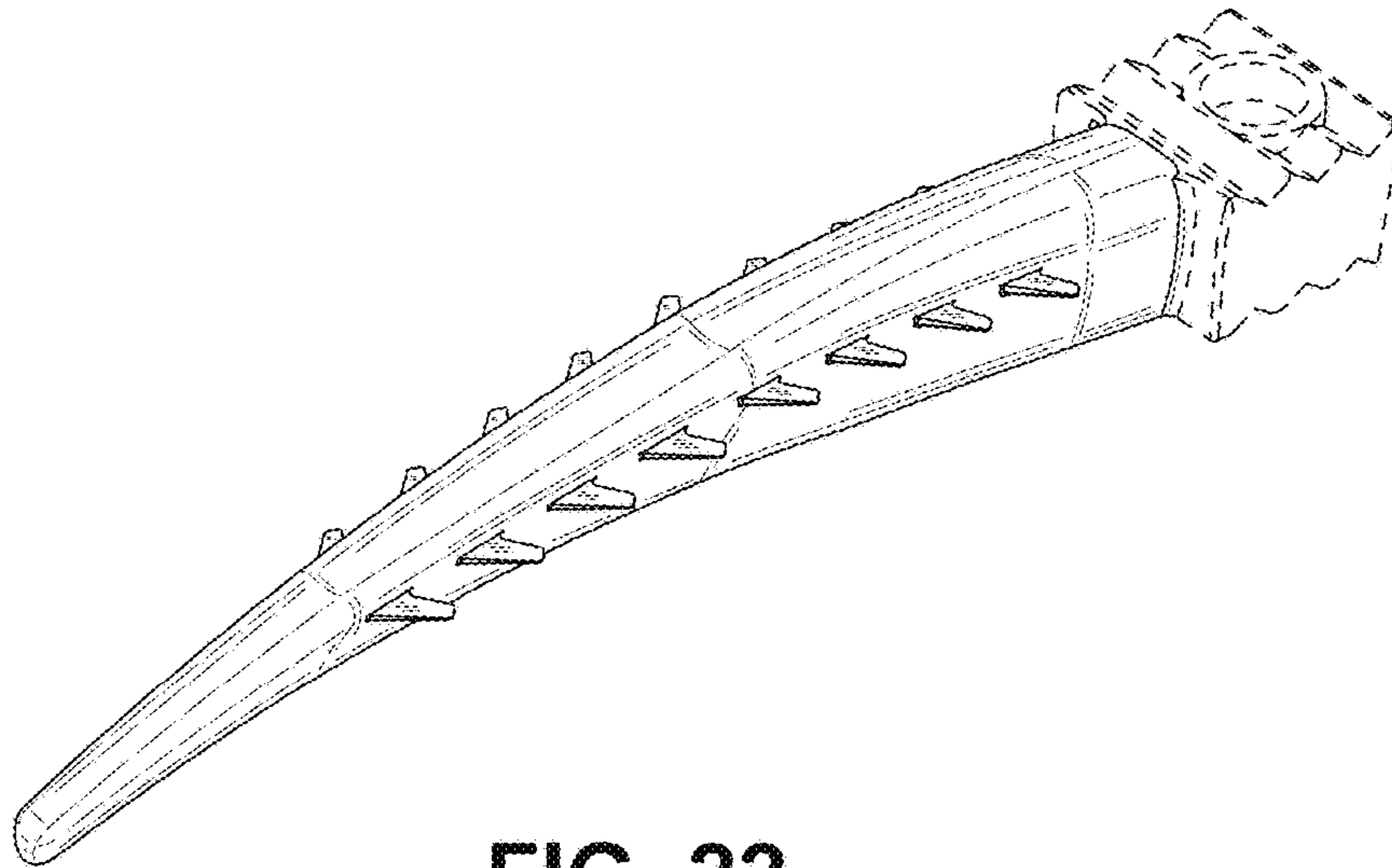


FIG. 22

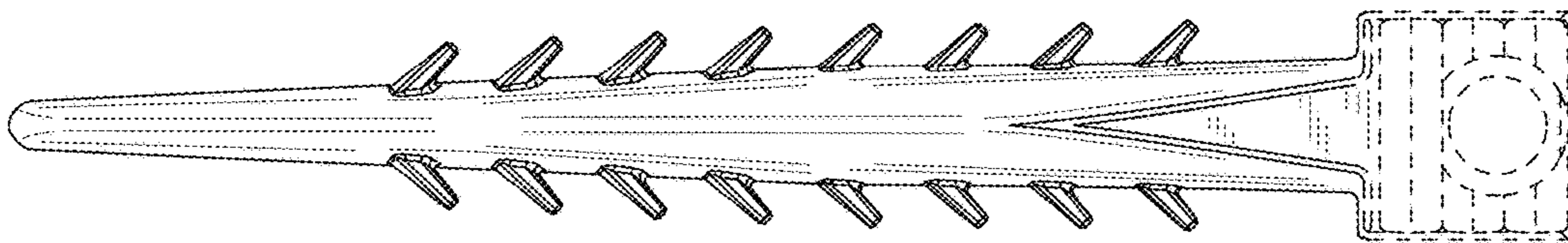


FIG. 23

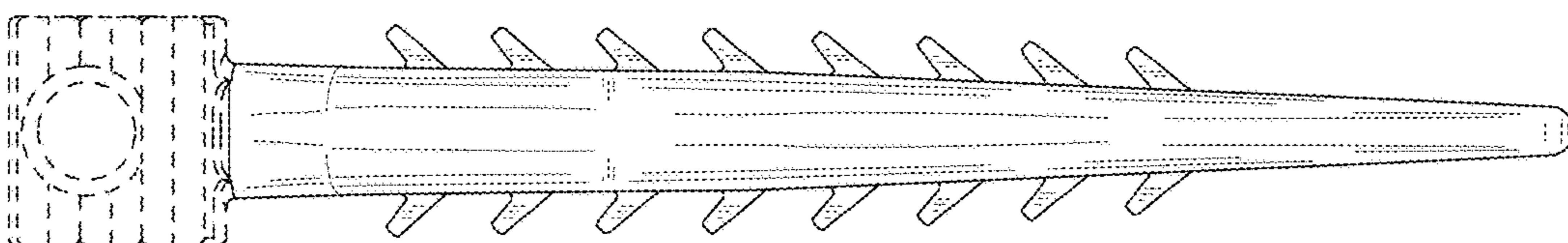


FIG. 24

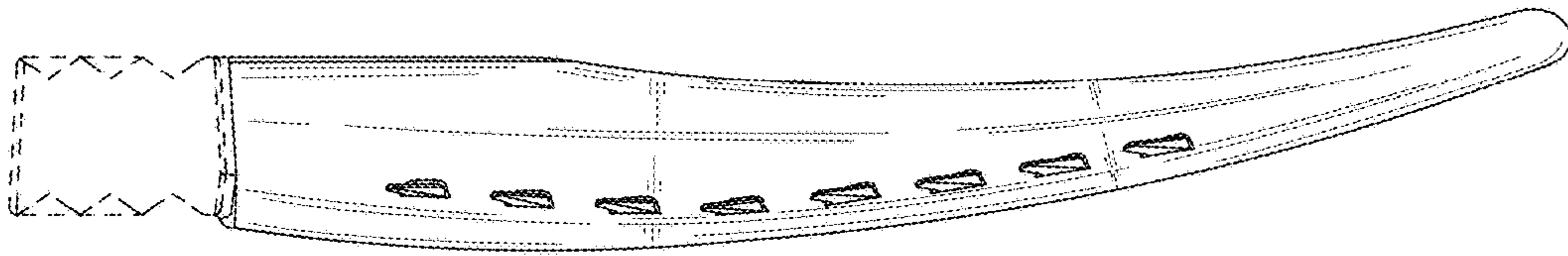


FIG. 25

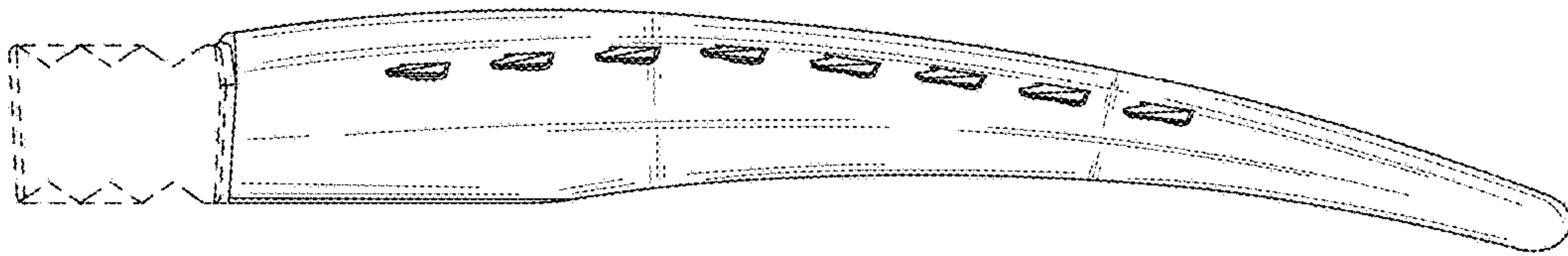


FIG. 26

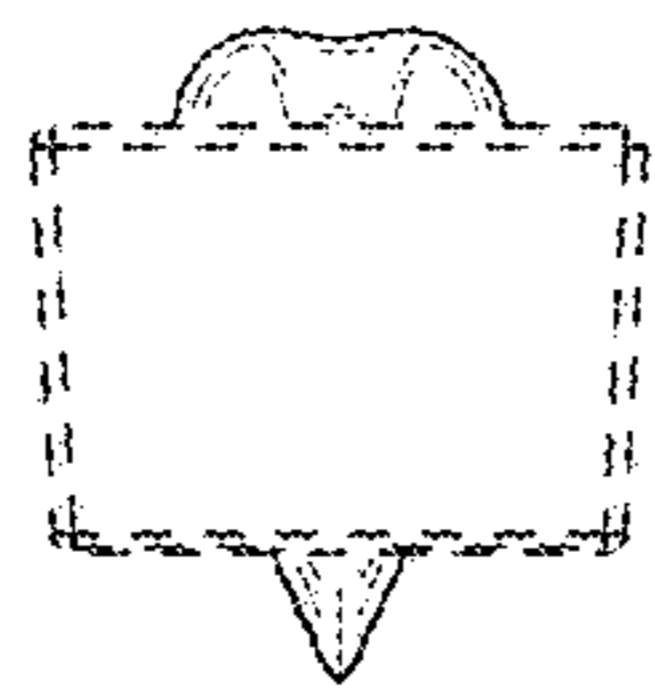


FIG. 27

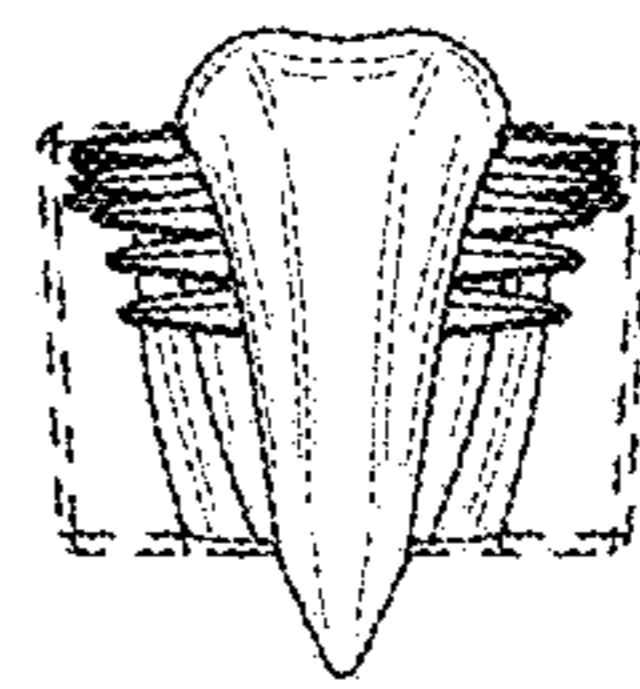


FIG. 28