



US00D780309S

(12) **United States Design Patent** (10) **Patent No.:** **US D780,309 S**  
**Norton et al.** (45) **Date of Patent:** **\*\* Feb. 28, 2017**

(54) **SINGLE SITE SURGICAL UNIPOINT**

(71) Applicant: **Access Instruments, Inc.**, Tyler, TX (US)

(72) Inventors: **Michael J. Norton**, Tyler, TX (US);  
**Noel D. Ischy**, Tyler, TX (US)

(73) Assignee: **Access Instruments, Inc.**, Tyler, TX (US)

(\*\*) Term: **14 Years**

(21) Appl. No.: **29/524,055**

(22) Filed: **Apr. 16, 2015**

(51) **LOC (10) Cl.** ..... **24-02**

(52) **U.S. Cl.**  
USPC ..... **D24/135**

(58) **Field of Classification Search**  
USPC ..... D24/135, 138, 133, 140, 137  
CPC ..... A61B 17/3423; A61B 2017/3445;  
A61B 2017/3447; A61B 2017/3492; A61B 17/0218; A61B 17/3462; A61B 2017/3464; A61B 2017/3466

See application file for complete search history.

(56) **References Cited**

**U.S. PATENT DOCUMENTS**

D269,547 S \* 6/1983 Rosenthal ..... D24/133  
6,454,783 B1 9/2002 Piskun  
D664,654 S \* 7/2012 Cuschieri ..... D24/135  
8,602,983 B2 \* 12/2013 Kleyman ..... A61B 17/3423  
600/208  
D721,806 S \* 1/2015 Higgins ..... D24/140  
D736,372 S \* 8/2015 Anderson ..... D24/133  
D747,804 S \* 1/2016 Rehman ..... D24/140  
D752,746 S \* 3/2016 Teufel ..... D24/146

D756,512 S \* 5/2016 Oberlaender ..... D24/133  
9,421,032 B2 \* 8/2016 Kleyman ..... A61B 17/3423  
2006/0020241 A1 1/2006 Piskun et al.

(Continued)

**FOREIGN PATENT DOCUMENTS**

CA 2534515 A1 \* 8/2006 ..... A61F 5/0056  
CA 2768464 A1 \* 9/2012 ..... A61B 17/3423  
WO WO 2010028227 A1 \* 3/2010 ..... A61B 17/3421

*Primary Examiner* — Bridget L Eland

*Assistant Examiner* — Lauren McVey

(57) **CLAIM**

The ornamental design for a “single site surgical unipoint,” as shown and described.

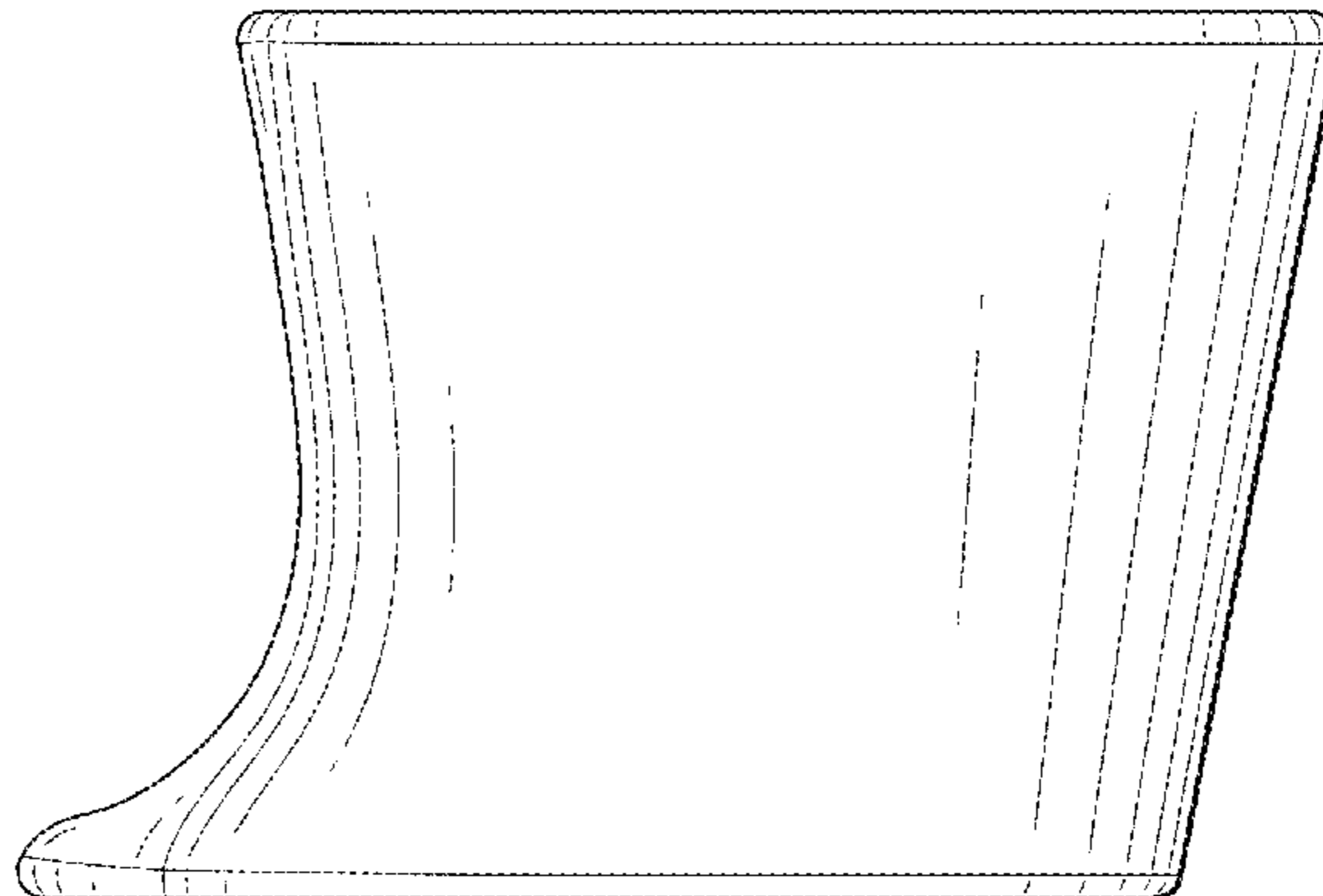
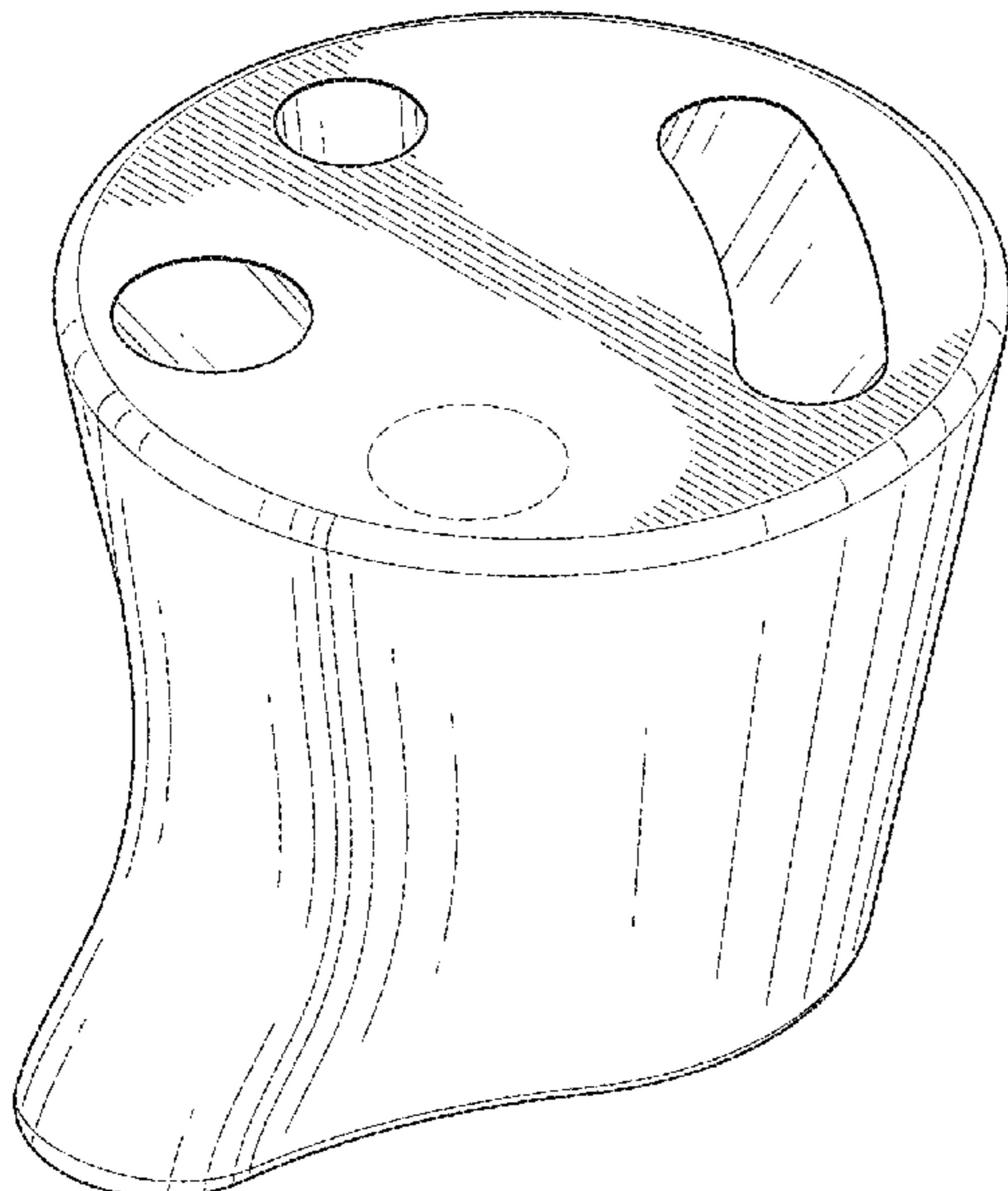
**DESCRIPTION**

This is a design application that claims the benefit of, U.S. patent application Ser. No. 12/220,248 filed on Jul. 23, 2008, now U.S. Pat. No. 9,011,319 issued Apr. 21, 2015, entitled “Conical Laparoscopic Apparatus for Minimally Invasive Surgery”; which is a continuation-in-part of U.S. patent application Ser. No. 11/710,388 filed on Feb. 23, 2007. The above application is commonly assigned with this National Stage application and is incorporated herein by reference in its entirety

FIG. 1 is a front perspective view of the single site surgical unipoint showing our new design;  
FIG. 2 is a left side view thereof;  
FIG. 3 is a right side view thereof;  
FIG. 4 is a front side view thereof;  
FIG. 5 is a back side view thereof;  
FIG. 6 is a top plan view thereof; and,  
FIG. 7 is a bottom plan view thereof.

The broken lines immediately adjacent the shaded areas represent the bounds of the claimed design while all other broken lines are directed to environment and are for illustrative purposes only; the broken lines form no part of the claimed design.

**1 Claim, 4 Drawing Sheets**



(56)

**References Cited**

U.S. PATENT DOCUMENTS

2007/0208312 A1\* 9/2007 Norton ..... A61B 17/3421  
604/284  
2009/0012477 A1\* 1/2009 Norton ..... A61B 17/3421  
604/174  
2010/0249523 A1\* 9/2010 Spiegel ..... A61B 17/3423  
600/206  
2015/0216562 A1\* 8/2015 Norton ..... A61B 17/3423  
600/204

\* cited by examiner

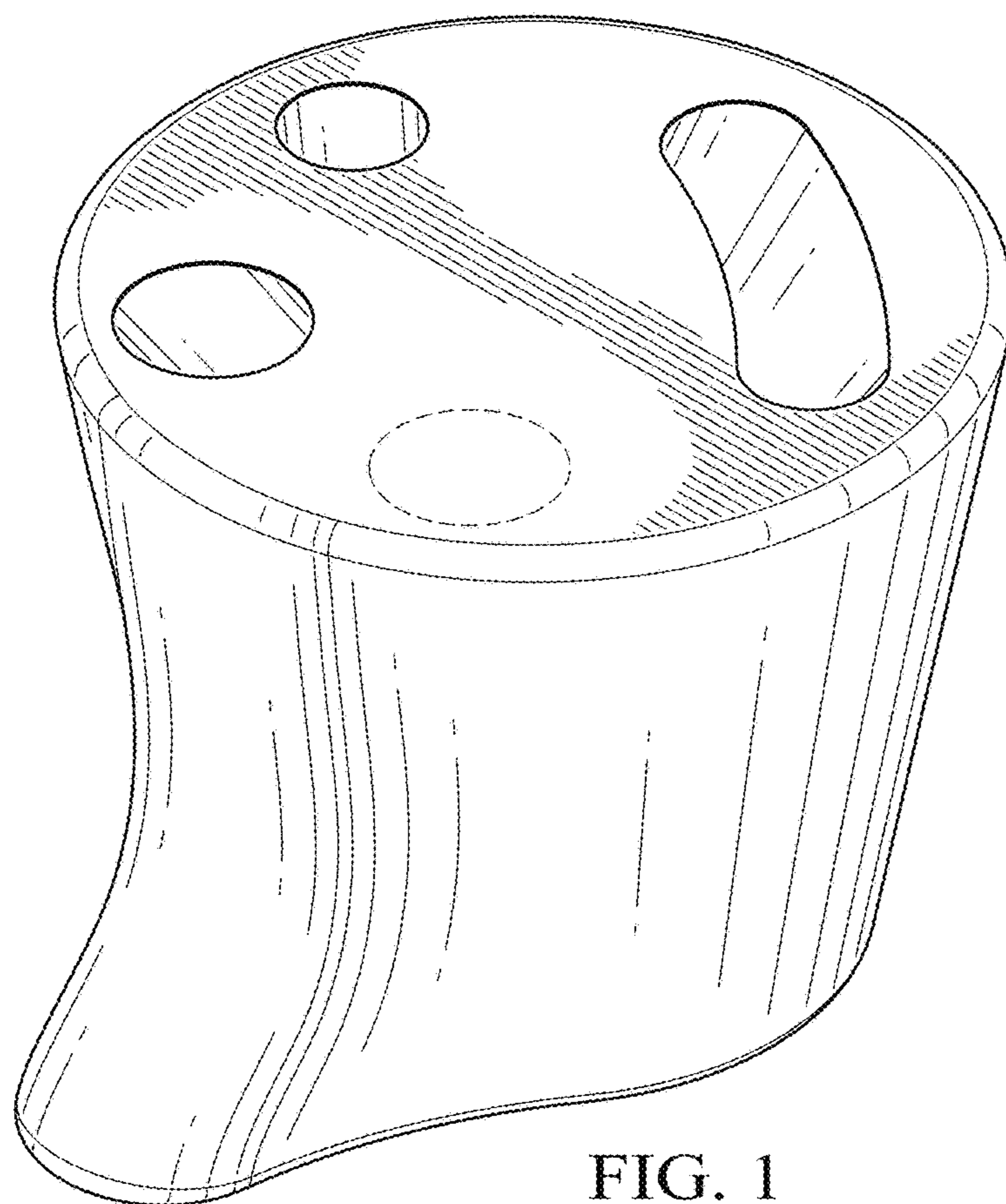


FIG. 1

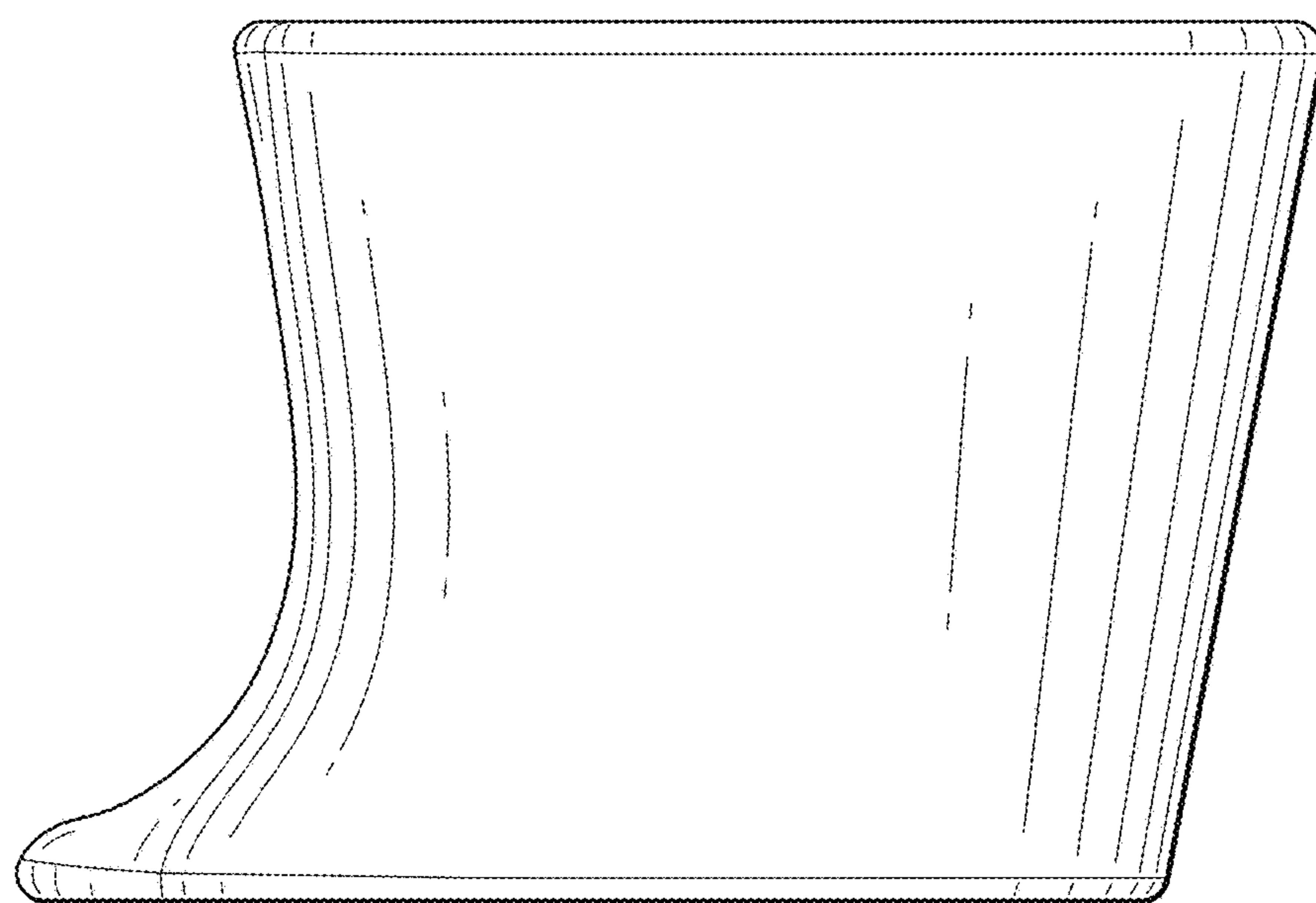


FIG. 2

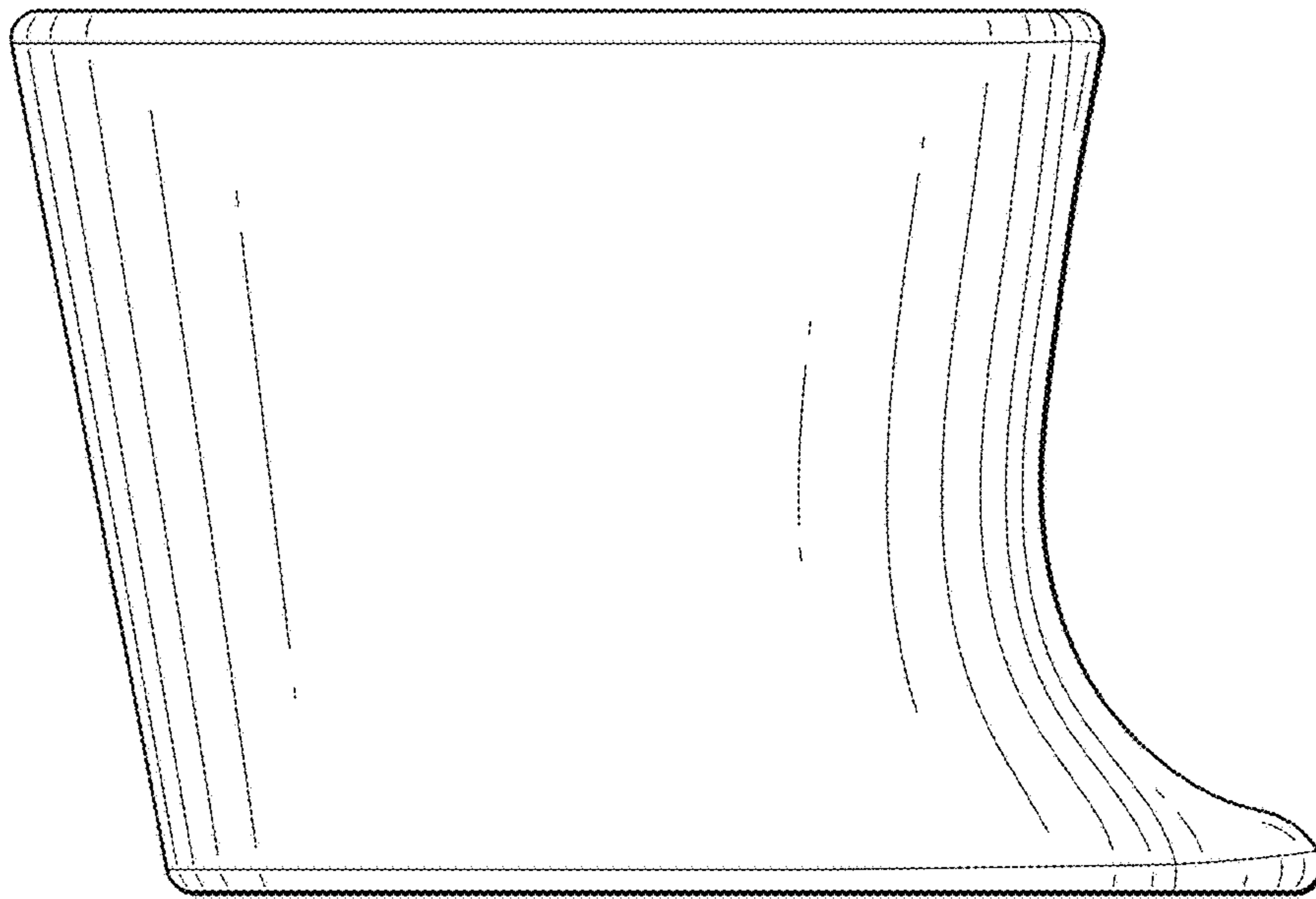


FIG. 3

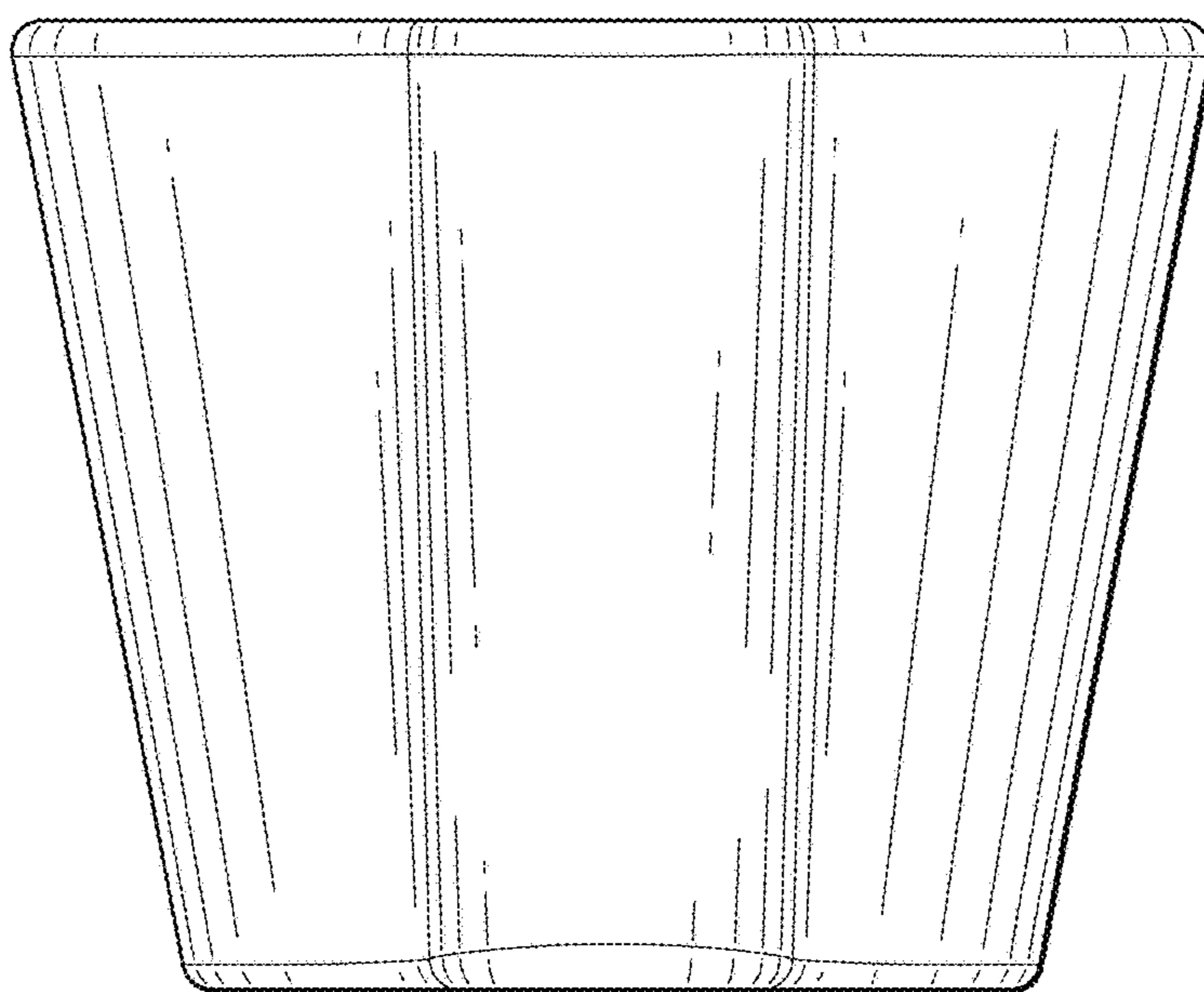


FIG. 4

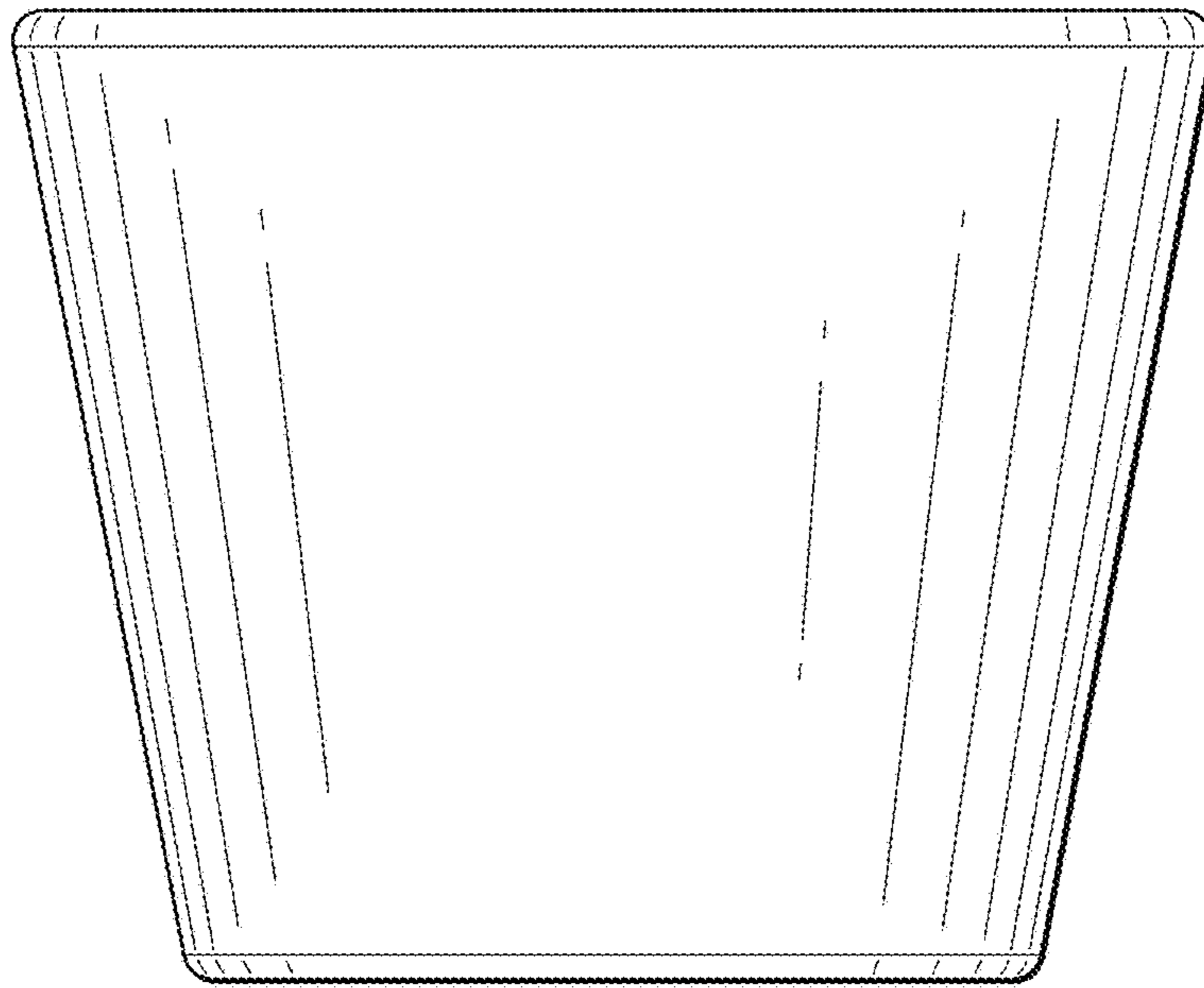


FIG. 5

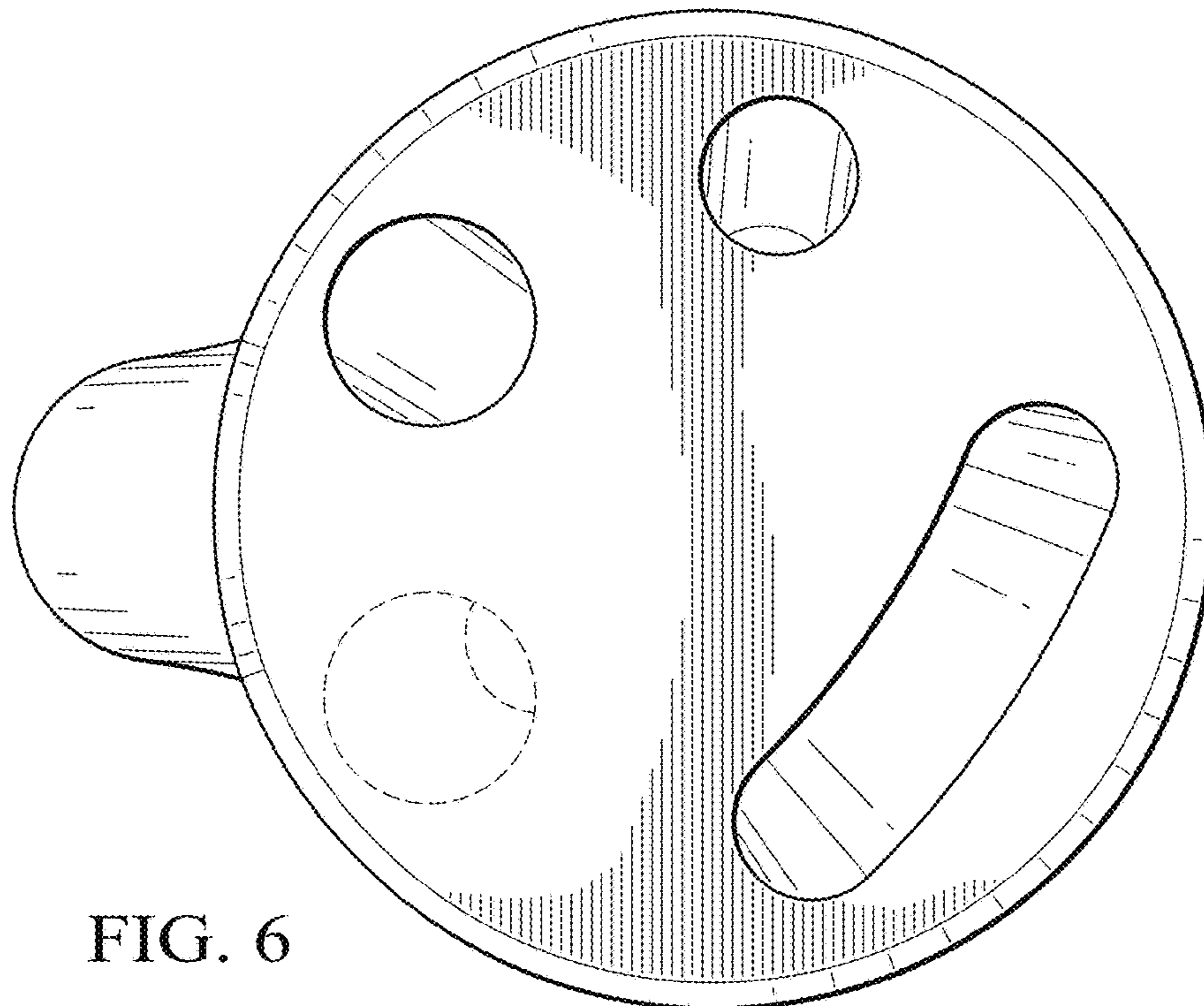


FIG. 6

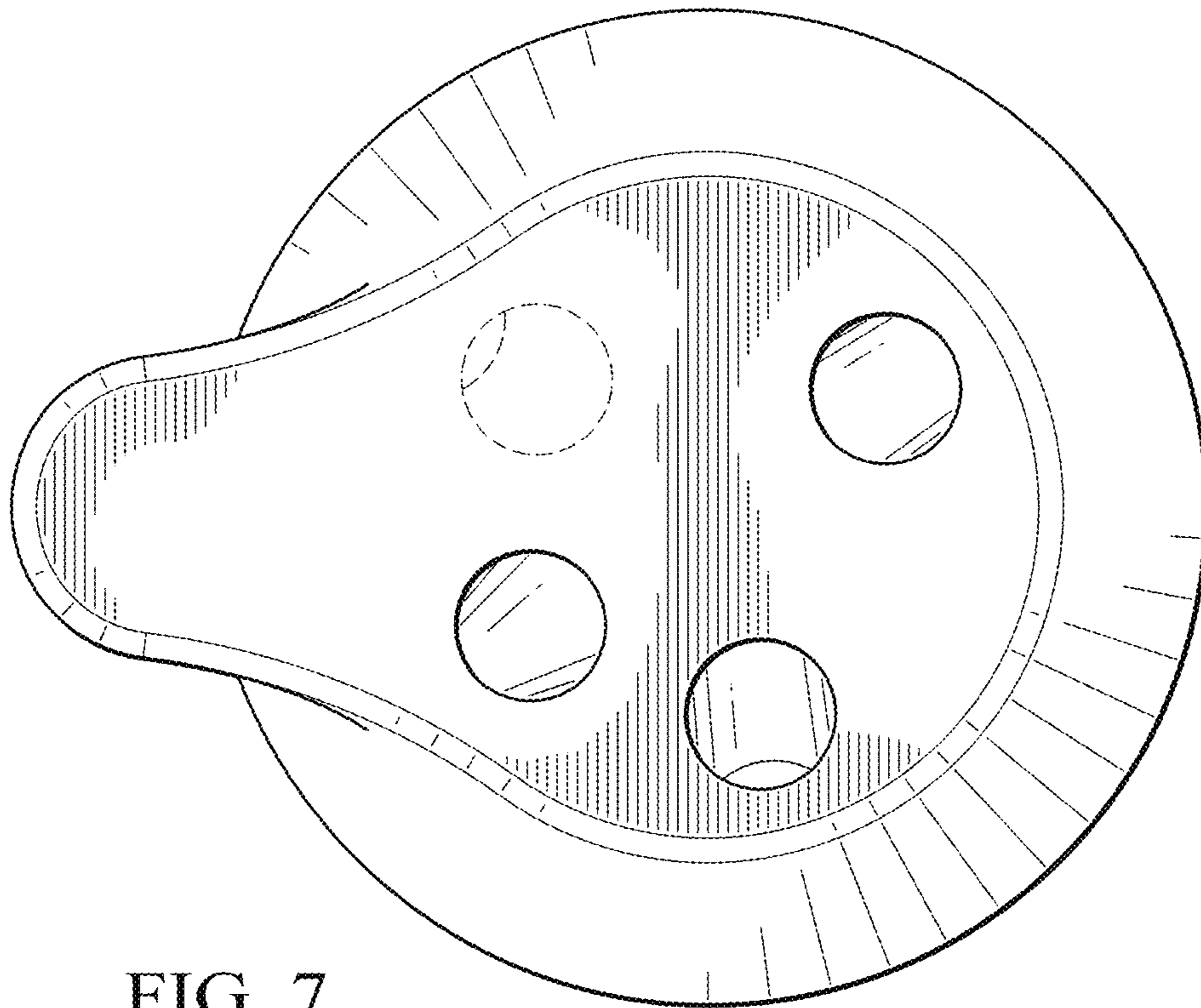


FIG. 7