



US00D780308S

(12) **United States Design Patent**
Hovermale

(10) **Patent No.:** **US D780,308 S**

(45) **Date of Patent:** **** Feb. 28, 2017**

(54) **FLEXIBLE PORTABLE URINAL ATTACHMENT**

(71) Applicant: **Rachael Hovermale**, Richmond, KY (US)

(72) Inventor: **Rachael Hovermale**, Richmond, KY (US)

(**) Term: **14 Years**

(21) Appl. No.: **29/514,551**

(22) Filed: **Jan. 14, 2015**

(51) **LOC (10) Cl.** **24-02**

(52) **U.S. Cl.**
USPC **D24/122**

(58) **Field of Classification Search**
USPC D24/121-123, 224; 4/144.1-144.4, 459, 4/460; 604/329, 317, 318, 334; 600/573, 600/574; D7/700

CPC A61G 9/00; A61G 9/006
See application file for complete search history.

(56) **References Cited**

U.S. PATENT DOCUMENTS

2,600,478	A	6/1952	Butcher	
3,163,869	A *	1/1965	Johnson	A61G 9/006 4/144.1
3,956,778	A *	5/1976	Tanaka	A47K 11/06 4/144.1
4,202,058	A *	5/1980	Anderson	A61F 5/455 4/144.3
4,832,238	A *	5/1989	Taylor	B65D 25/48 141/337
D304,294	S *	10/1989	Grenda	D7/700
4,921,147	A *	5/1990	Poirier	B65D 25/44 138/121
D310,172	S *	8/1990	Parker	D7/700

D340,467	S *	10/1993	Pollak	D15/150
5,331,689	A *	7/1994	Haq	A47K 11/12 4/144.1
5,778,461	A *	7/1998	Attaway	A61G 9/003 4/450
D520,807	S *	5/2006	Morgan	D7/368
7,846,143	B1 *	12/2010	Abbato	A61G 9/006 137/512.15
8,424,125	B2 *	4/2013	Anderson	A47K 11/12 4/144.1

* cited by examiner

Primary Examiner — David Muller

(74) *Attorney, Agent, or Firm* — James M. Francis

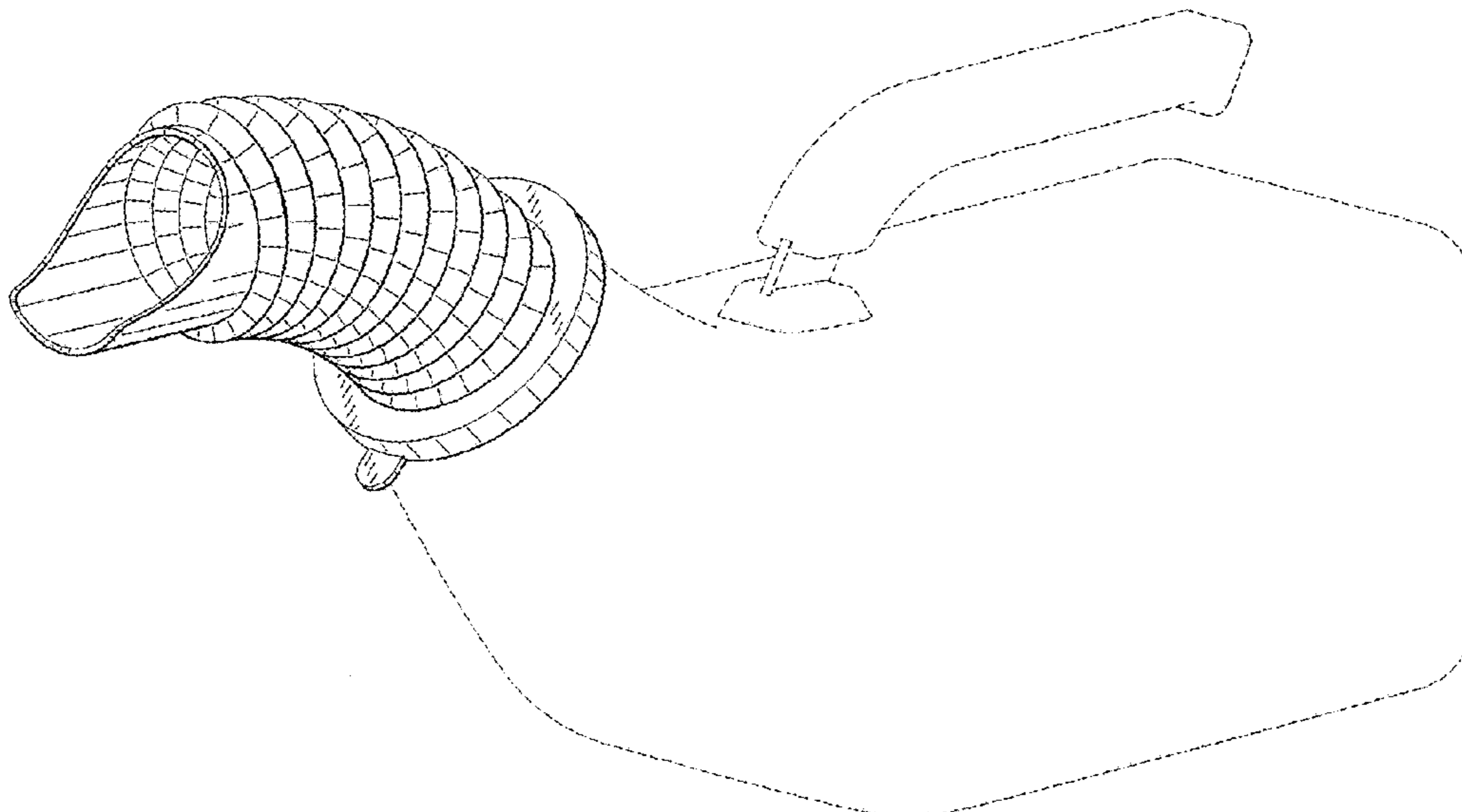
(57) **CLAIM**

The ornamental design for a flexible portable urinal attachment, as shown and described.

DESCRIPTION

FIG. 1 is a perspective view of a flexible portable urinal attachment showing my new design;
 FIG. 2 is a front view thereof;
 FIG. 3 is a back view thereof;
 FIG. 4 is a right side view thereof;
 FIG. 5 is a left side view thereof;
 FIG. 6 is a top view thereof;
 FIG. 7 is a bottom view thereof; and,
 FIG. 8 is another perspective view of a flexible portable urinal attachment as in FIG. 1 showing the lid in a compressed configuration.
 In the drawings, the broken lines represent unclaimed environment subject matter and form no part of the claimed design.

1 Claim, 5 Drawing Sheets



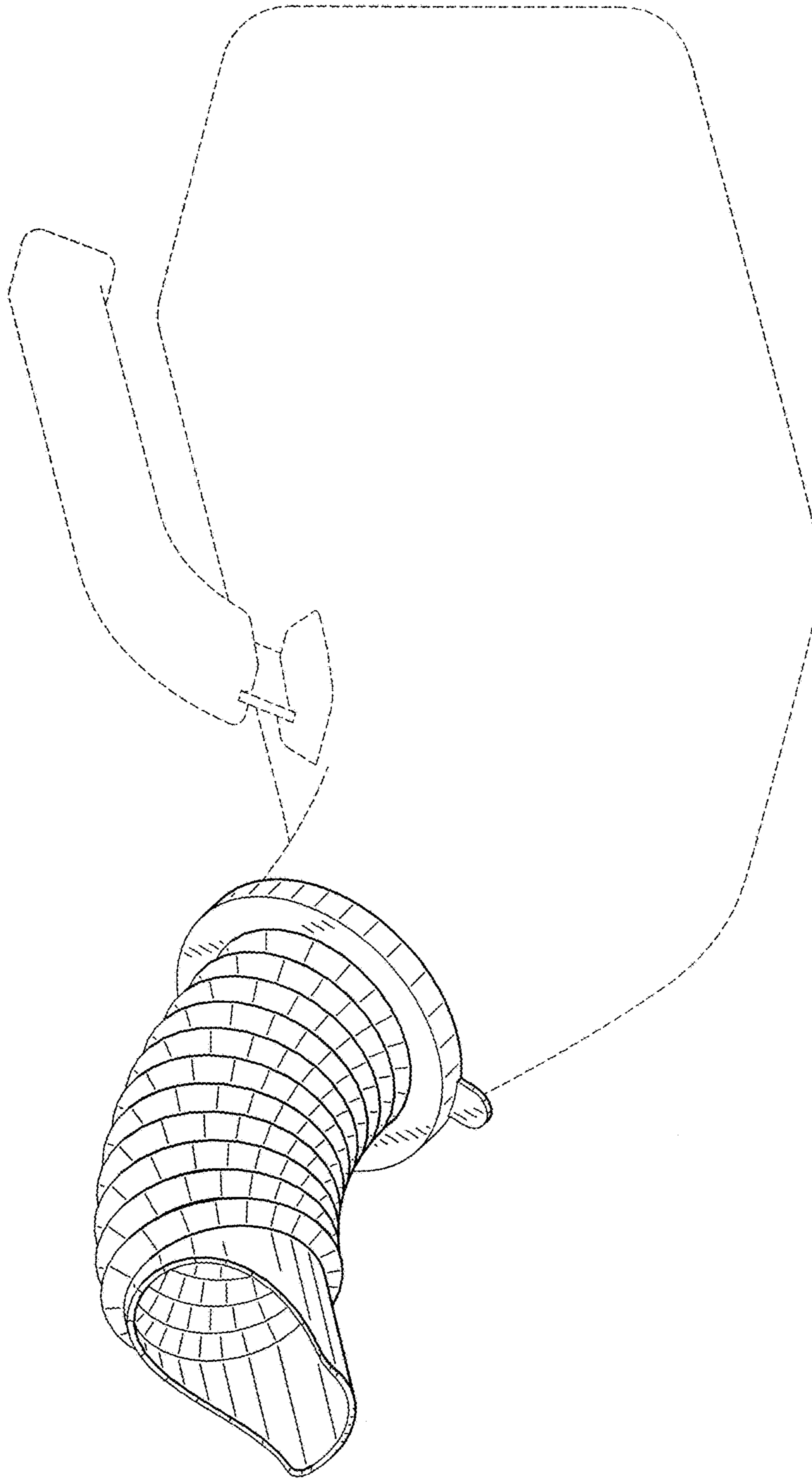


FIG. 1

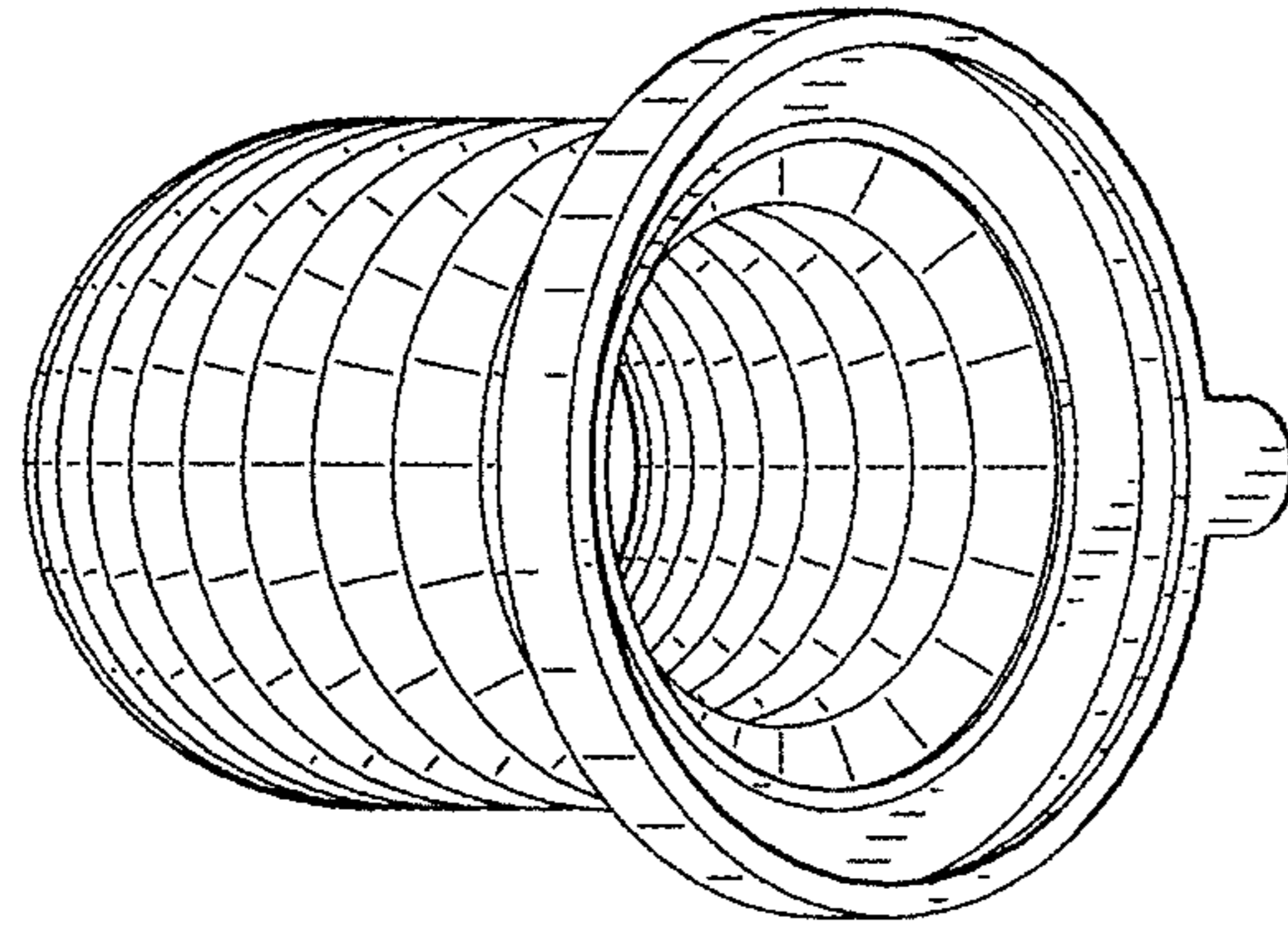


FIG. 3

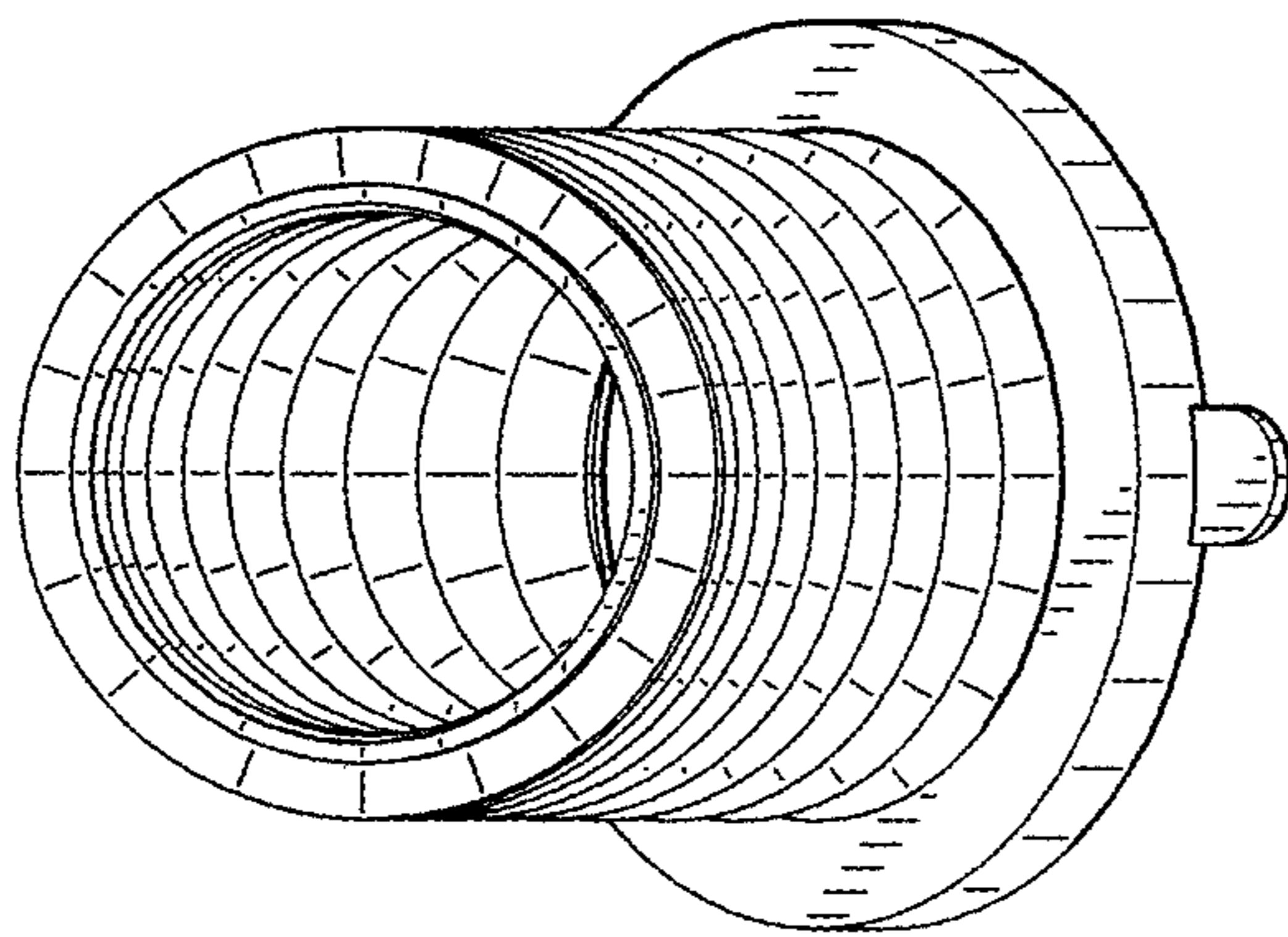


FIG. 2

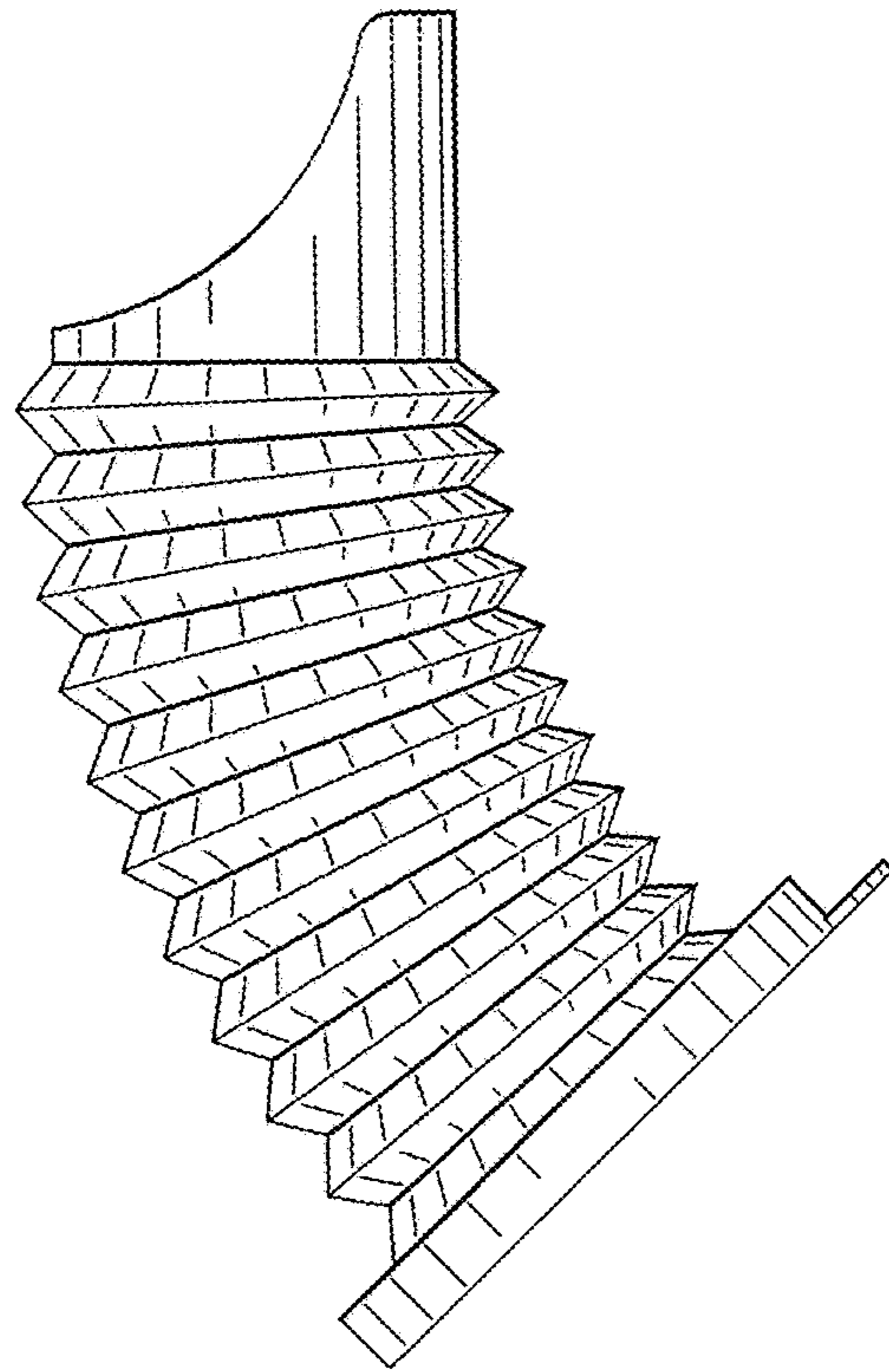


FIG. 5

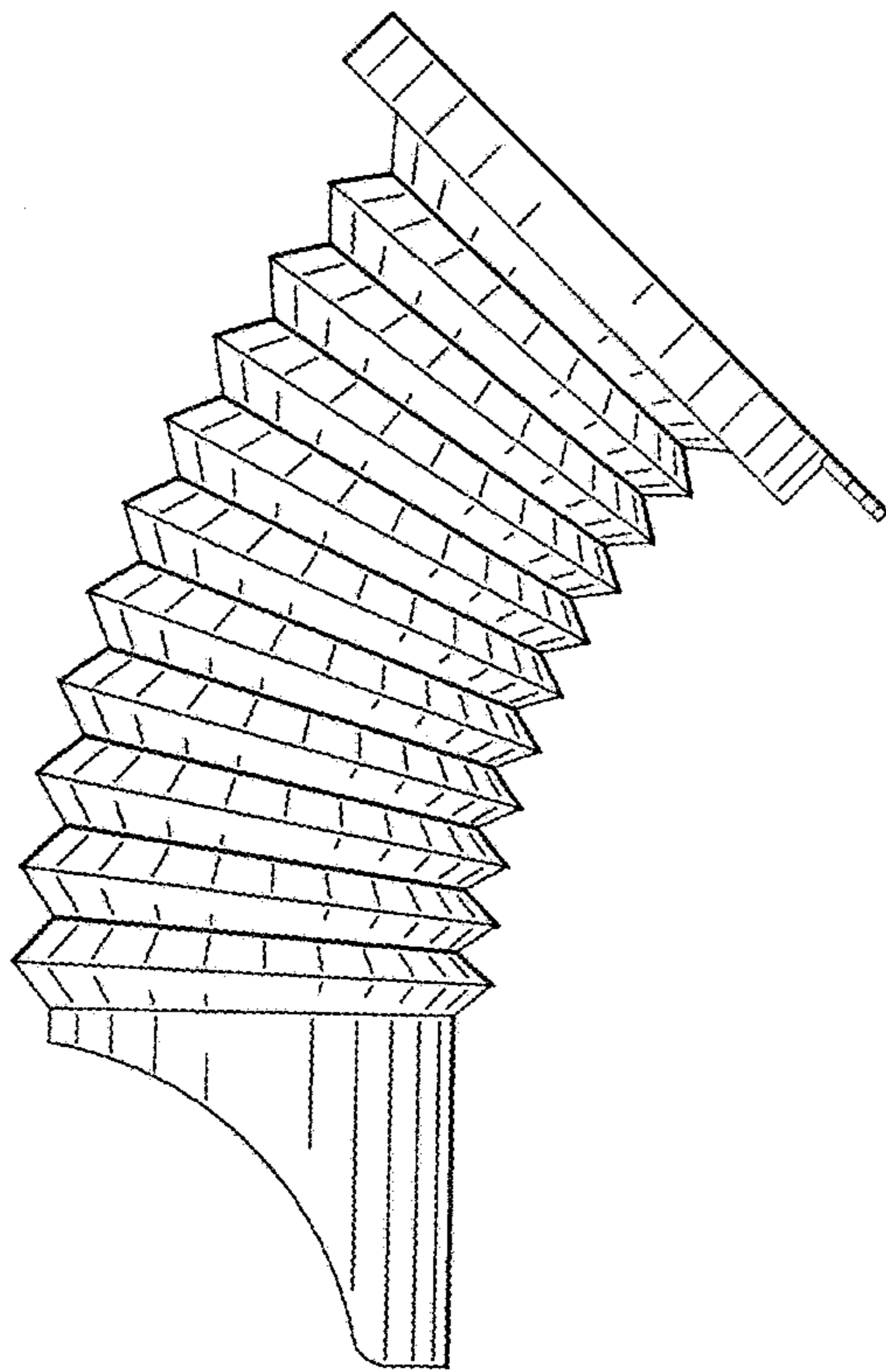


FIG. 4

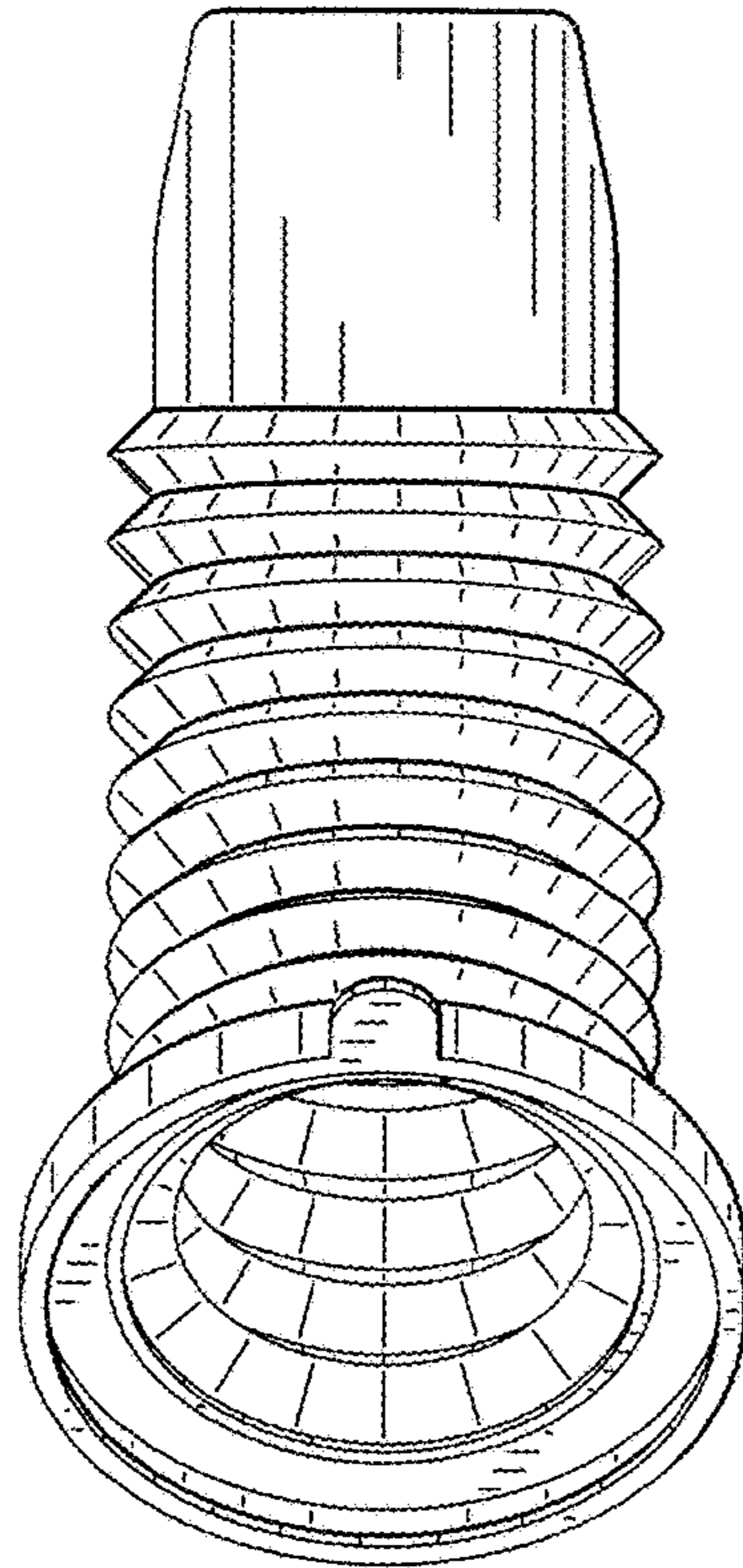


FIG. 7

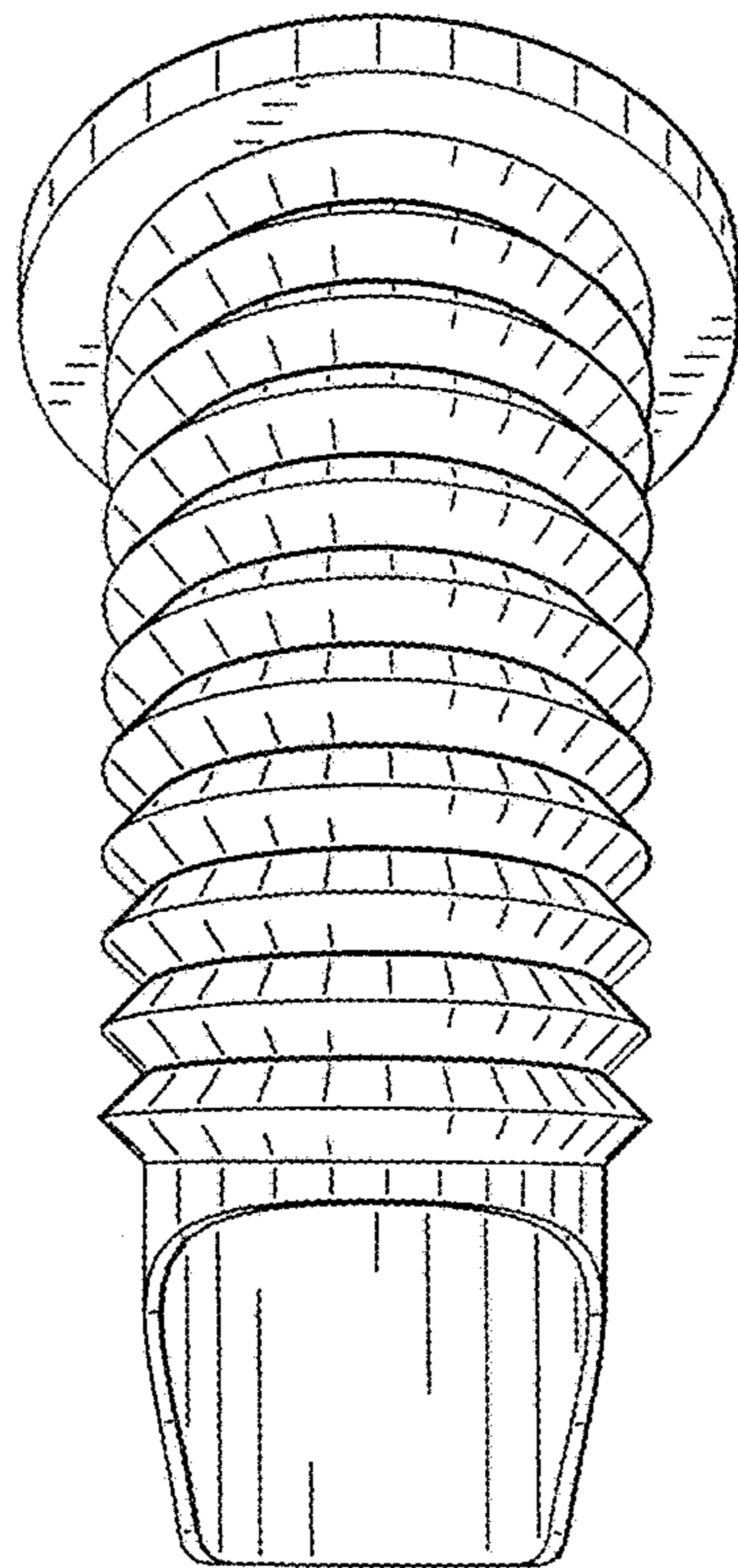


FIG. 6

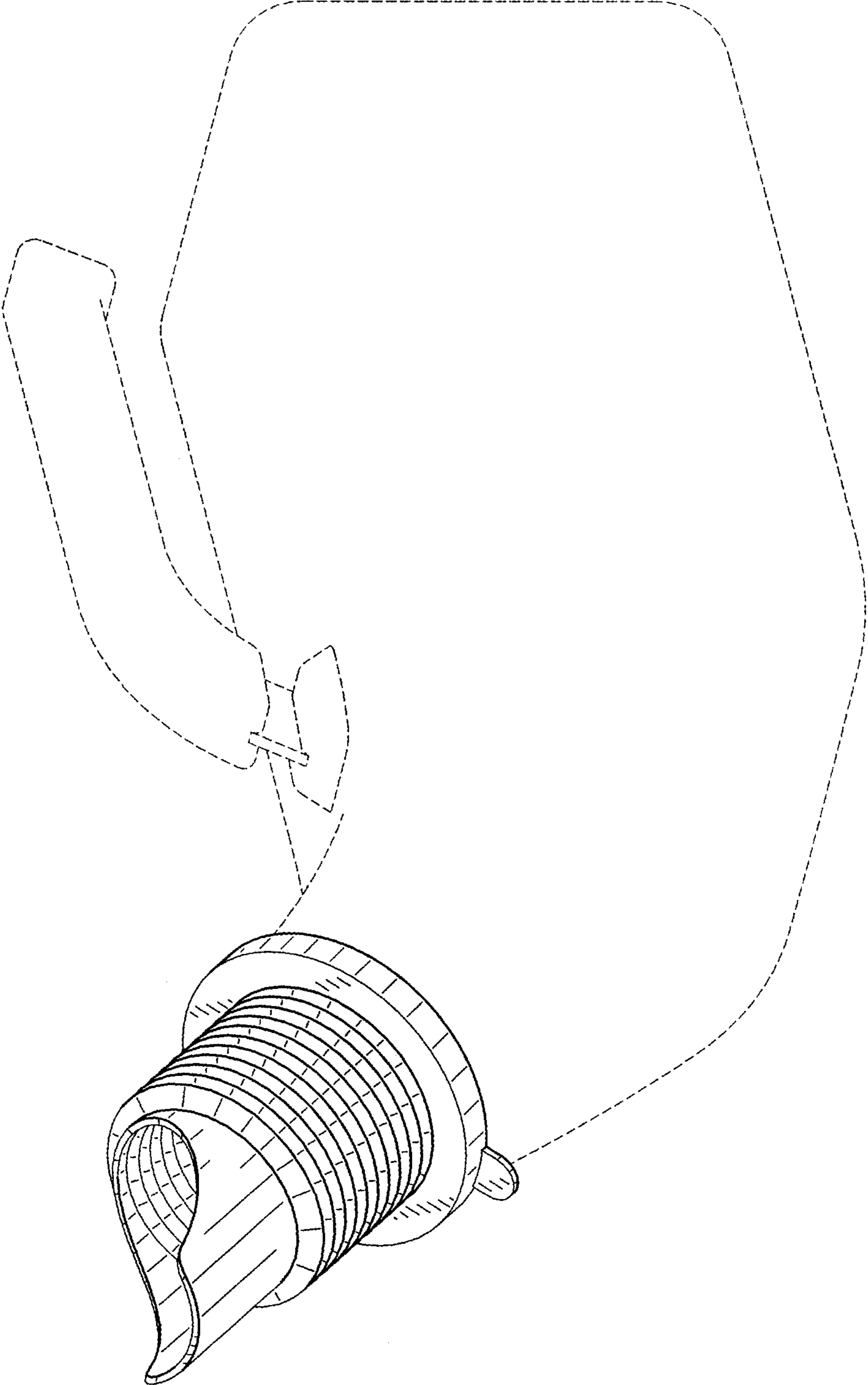


FIG. 8