



US00D780307S

(12) **United States Design Patent**
Mingione et al.

(10) **Patent No.:** **US D780,307 S**

(45) **Date of Patent:** **** Feb. 28, 2017**

- (54) **ANTISEPTIC APPLICATOR**
- (71) Applicant: **CAREFUSION 2200, INC**, San Diego, CA (US)
- (72) Inventors: **Louis Mingione**, Chicago, IL (US);
Charlie Beuchat, Anaheim Hills, CA (US)
- (73) Assignee: **Carefusion 2200, Inc.**, San Diego, CA (US)
- (**) Term: **15 Years**
- (21) Appl. No.: **29/542,503**
- (22) Filed: **Oct. 14, 2015**
- (51) **LOC (10) Cl.** **24-02**
- (52) **U.S. Cl.**
USPC **D24/119**
- (58) **Field of Classification Search**
USPC D24/119, 133; 424/443, 672; D28/7;
401/132
See application file for complete search history.

- 2013/0251439 A1* 9/2013 Guzman A61M 35/003
401/132
- 2015/0098861 A1* 4/2015 Degala A61L 2/18
422/28
- 2016/0166816 A1* 6/2016 Mingione A61M 35/003
401/133
- 2016/0199631 A1* 7/2016 Mingione A61M 35/003
604/310

* cited by examiner

Primary Examiner — Garth Rademaker
Assistant Examiner — Samantha Q Lawrence
(74) *Attorney, Agent, or Firm* — Arent Fox LLP

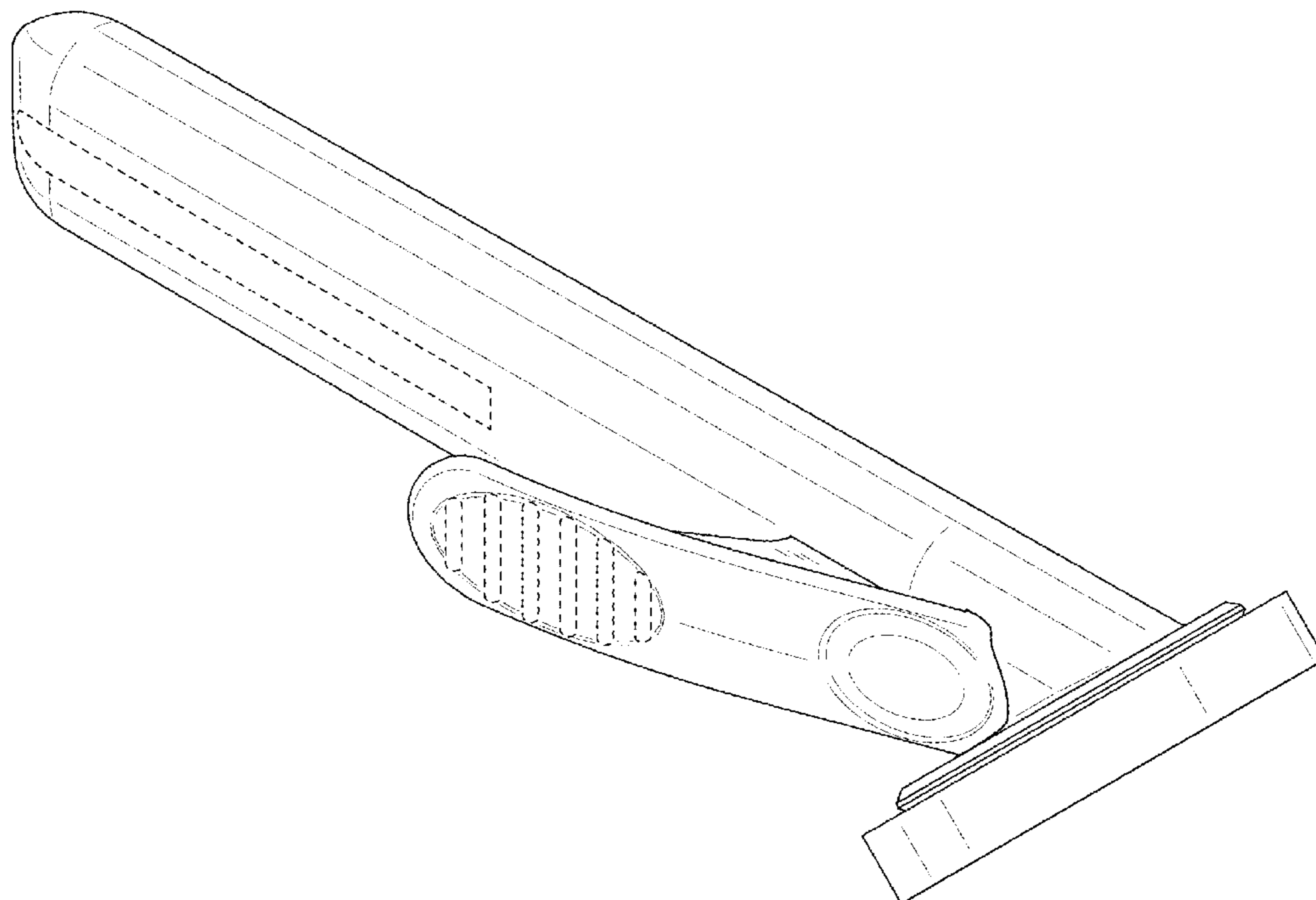
(57) **CLAIM**

The ornamental design for an antiseptic applicator, as shown and described.

DESCRIPTION

FIG. 1 is a top perspective view of an antiseptic applicator showing my new design;
FIG. 2 is a bottom perspective view of the design shown in FIG. 1;
FIG. 3 is a right side view of the design shown in FIG. 1;
FIG. 4 is a left side view of the design shown in FIG. 1;
FIG. 5 is a rear view of the design shown in FIG. 1;
FIG. 6 is a front view of the design shown in FIG. 1;
FIG. 7 is a top view of the design shown in FIG. 1; and
FIG. 8 is a bottom view of the design shown in FIG. 1.
The broken lines shown in FIGS. 1, 3, and 5-8 illustrate portions of the antiseptic applicator that form no part of the claimed design.

1 Claim, 8 Drawing Sheets



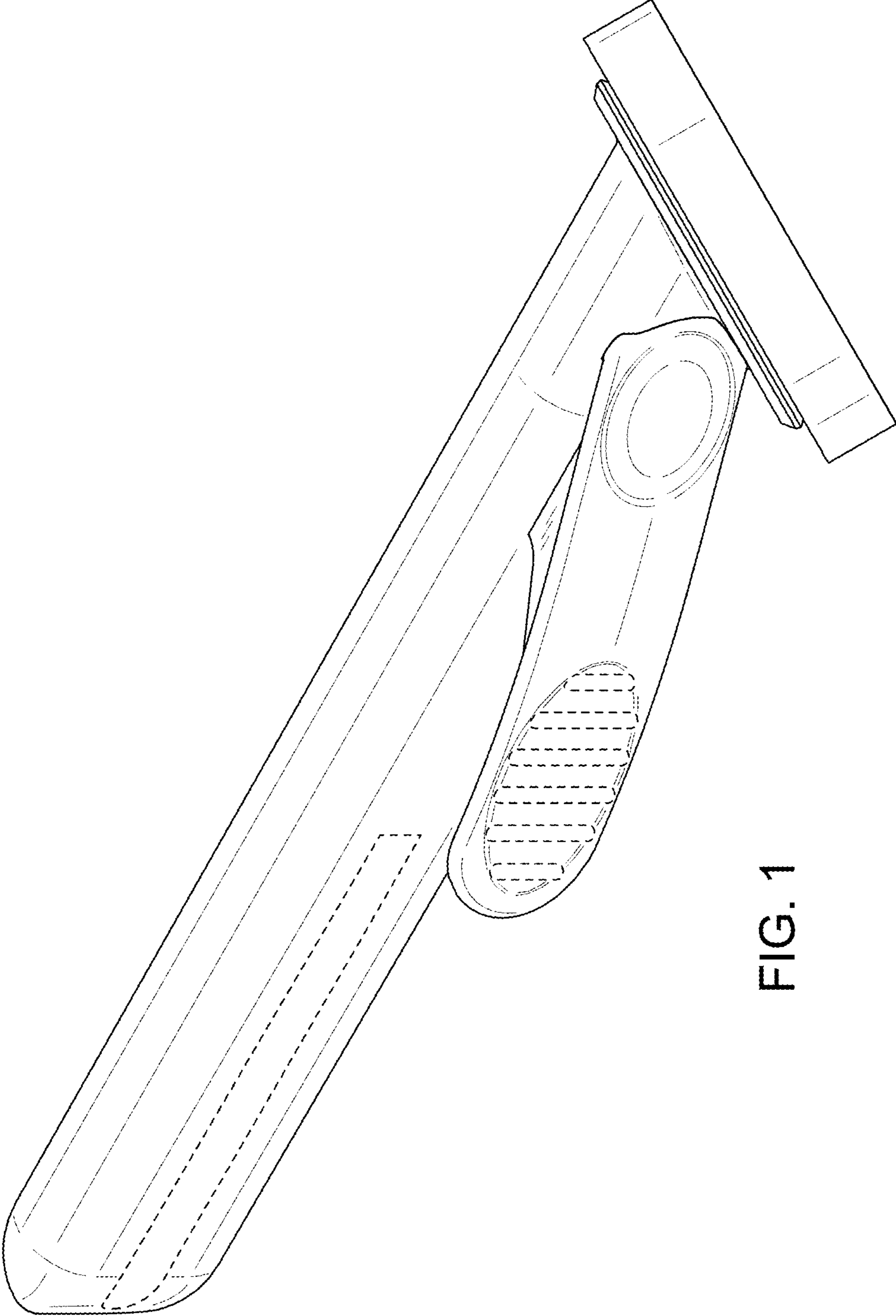


FIG. 1

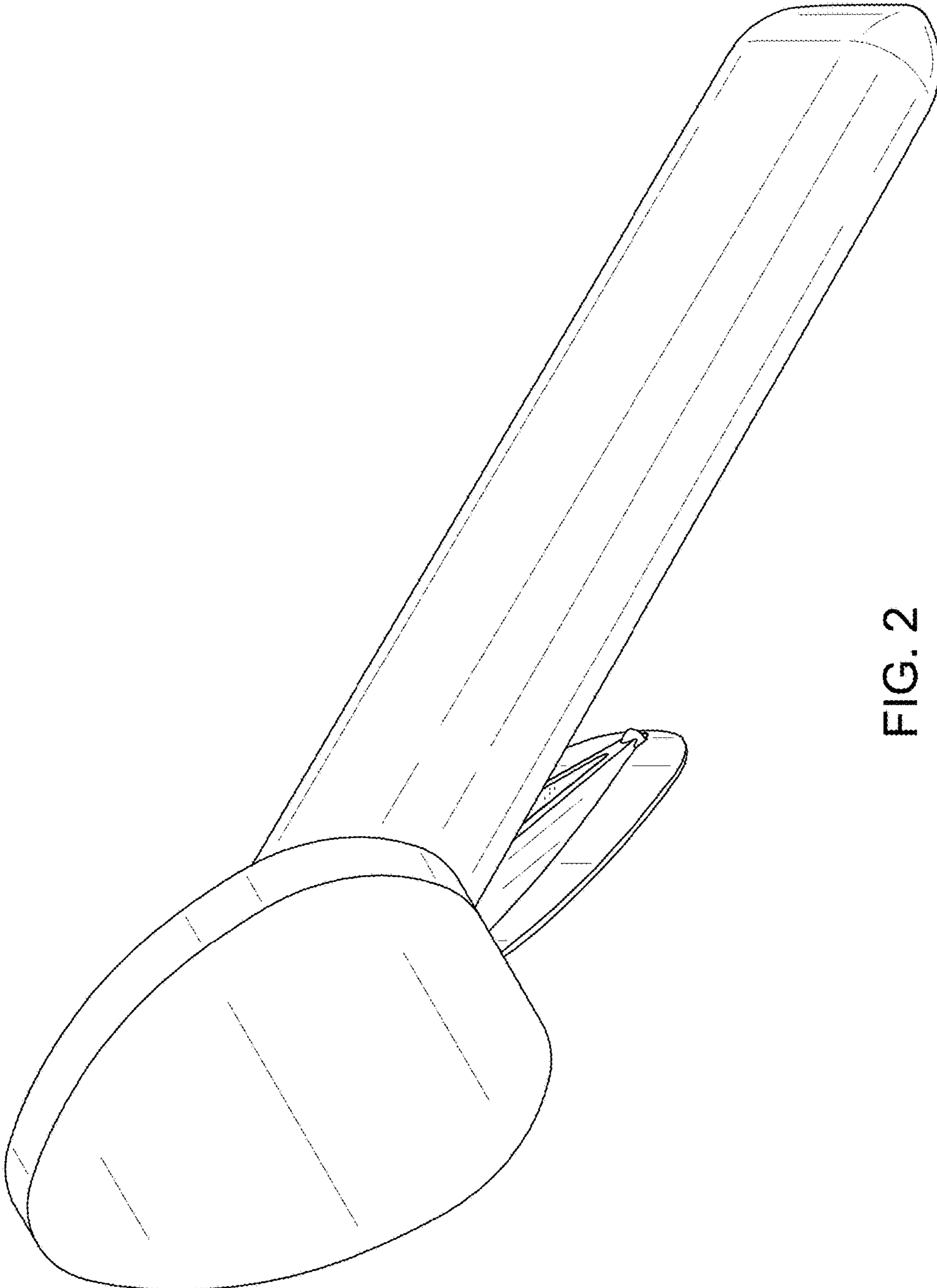


FIG. 2

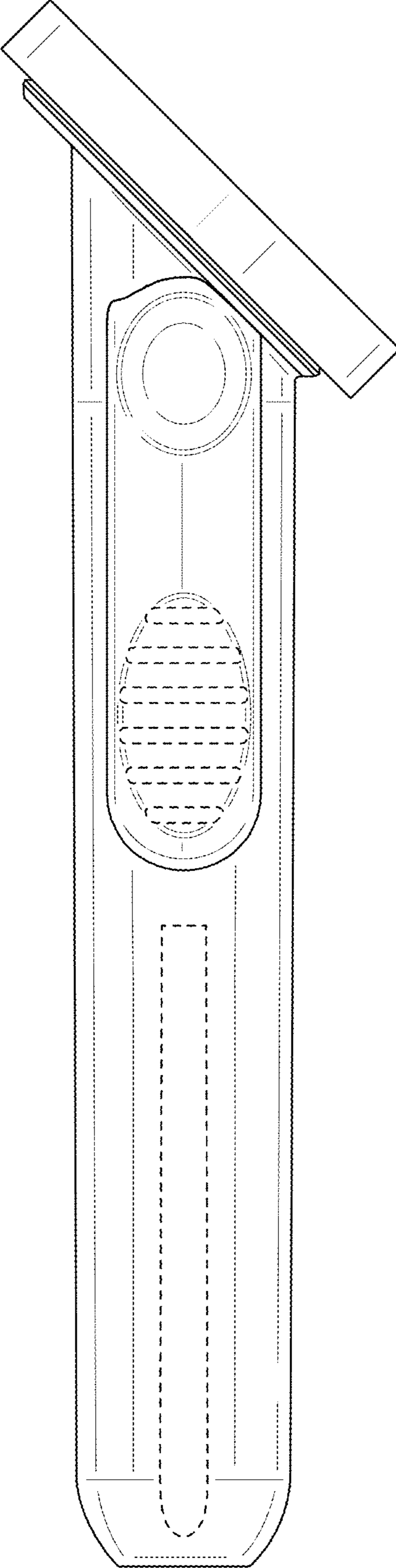


FIG. 3

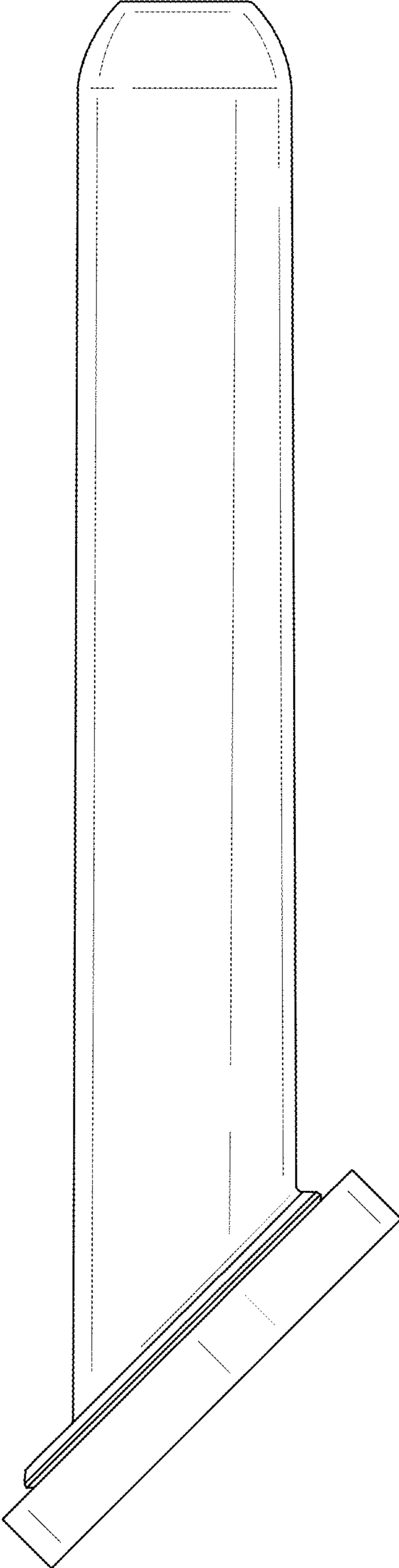


FIG. 4

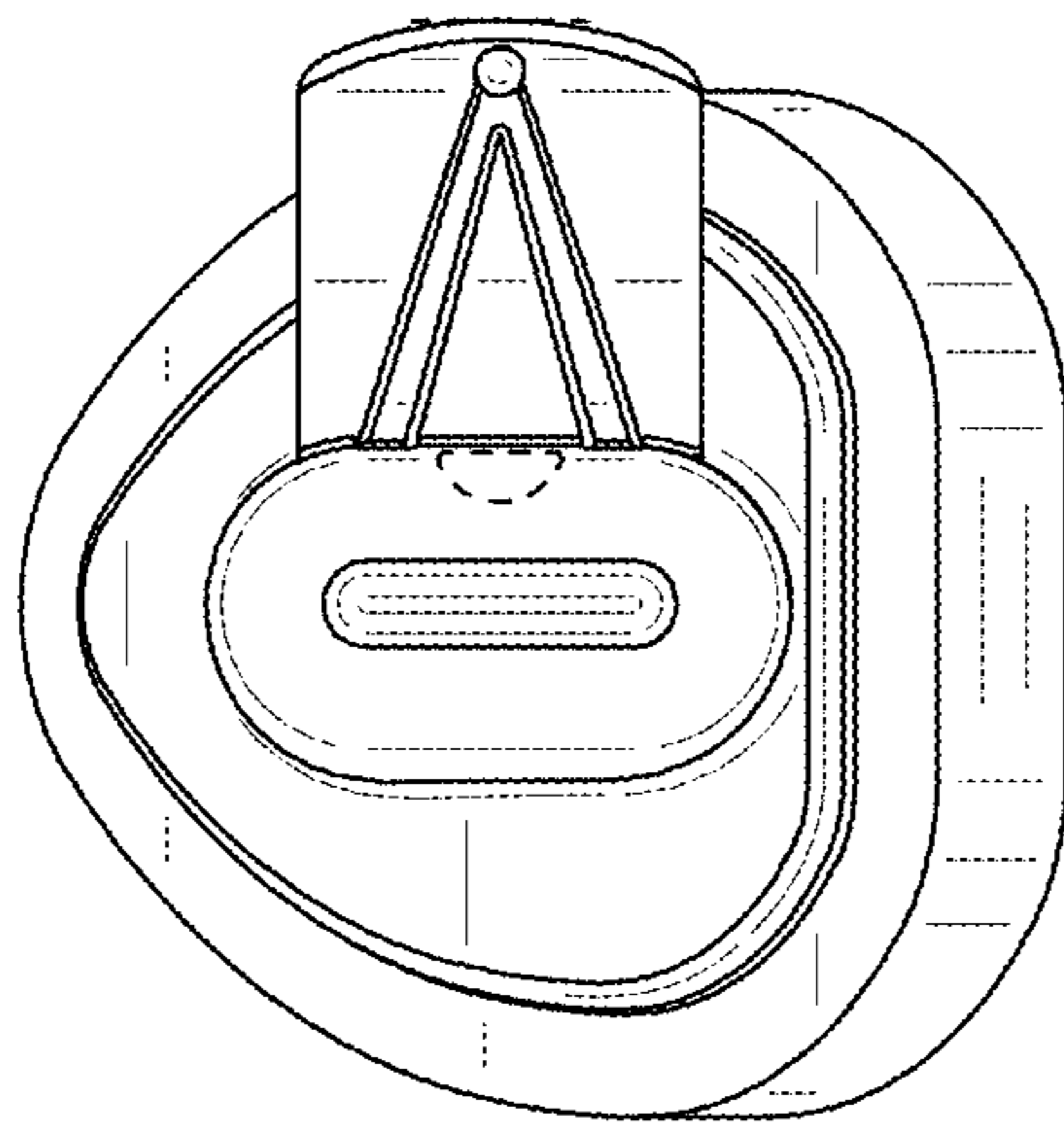


FIG. 5

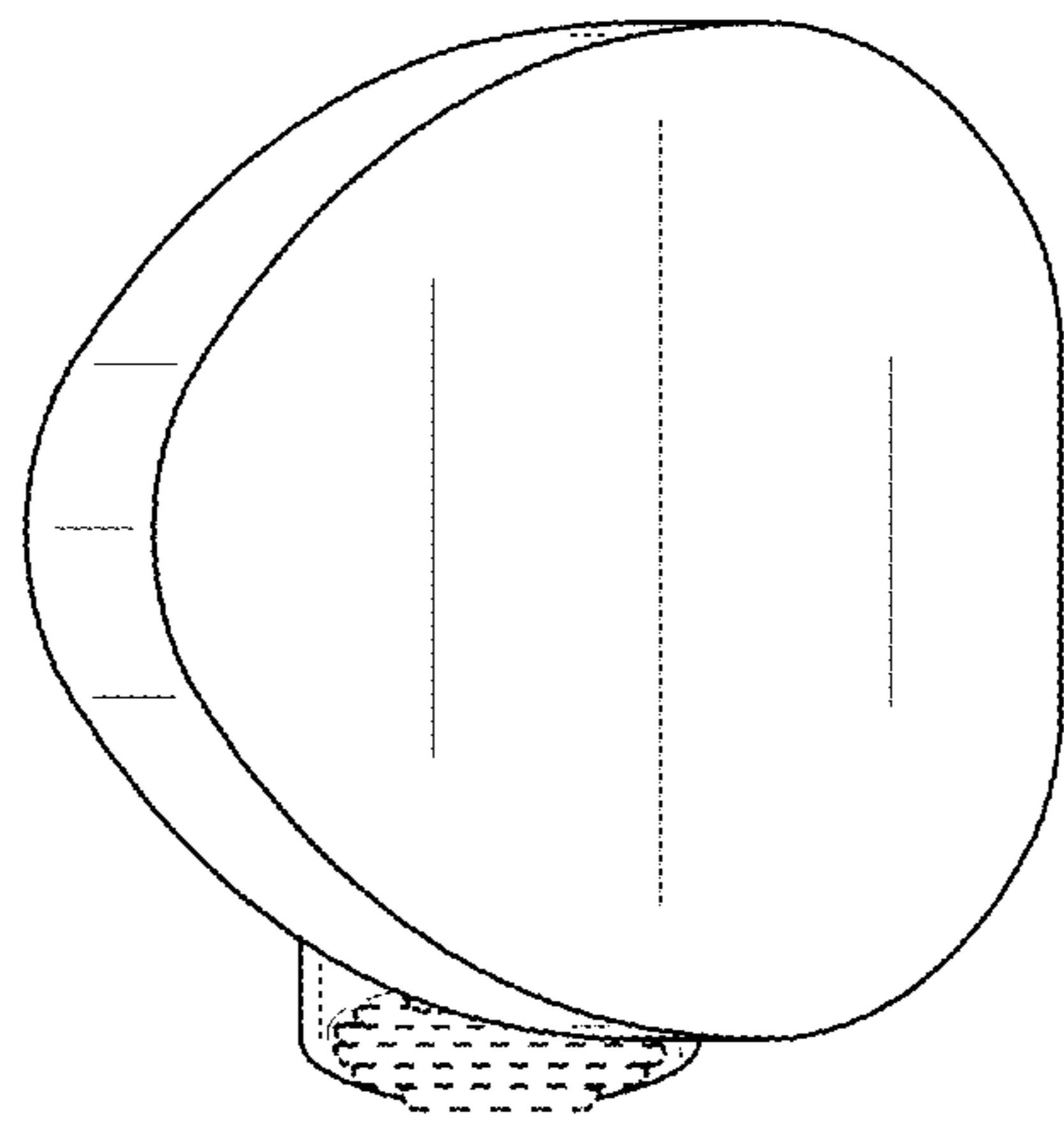


FIG. 6

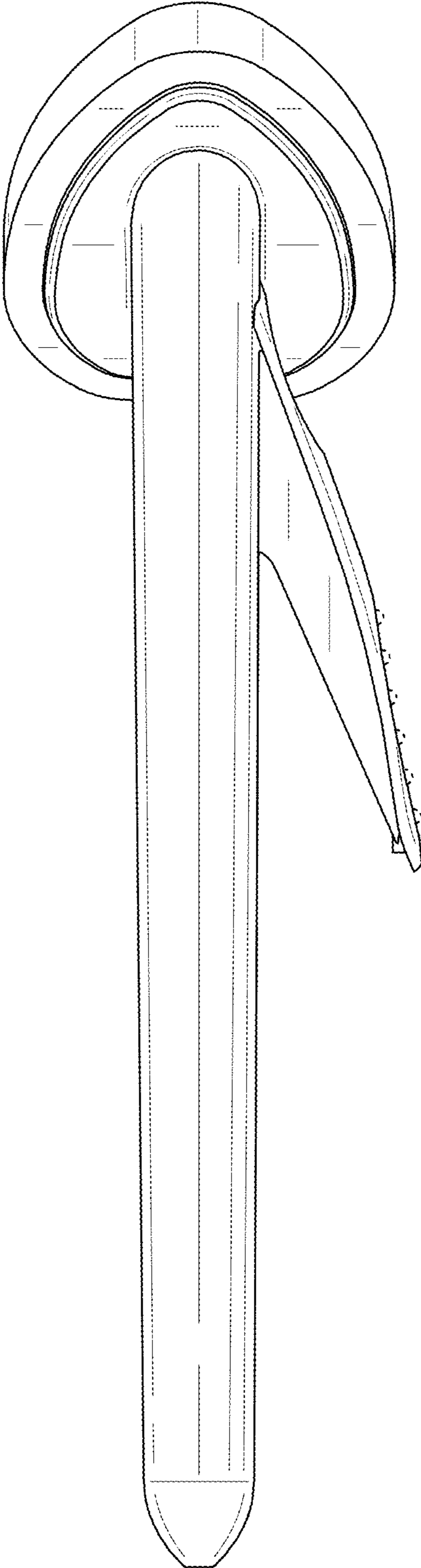


FIG. 7

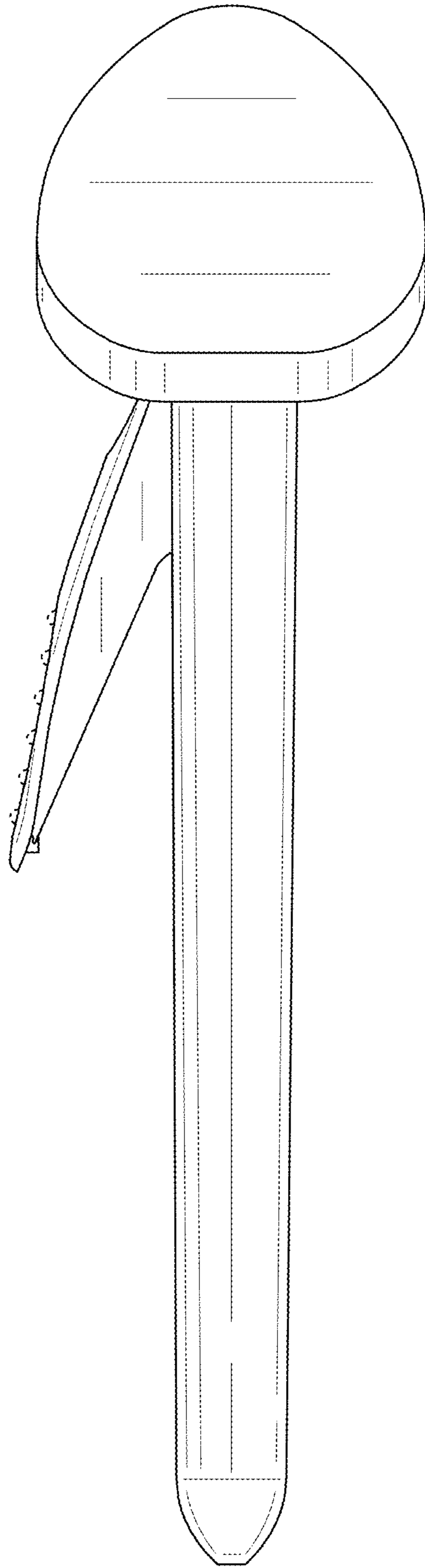


FIG. 8