



US00D780306S

(12) **United States Design Patent** (10) **Patent No.:** **US D780,306 S**
Bow (45) **Date of Patent:** **** Feb. 28, 2017**

(54) **SUCTION HANDLE**
(71) Applicant: **Medline Industries, Inc.**, Mundelein, IL (US)
(72) Inventor: **Clark F. Bow**, Dandridge, TN (US)
(73) Assignee: **Medline Industries, Inc.**, Northfield, IL (US)

D387,862 S 12/1997 Mainiero
5,984,907 A 11/1999 McGee
6,129,547 A 10/2000 Cise
6,500,142 B1 12/2002 Harreld
6,588,427 B1 7/2003 Carlsen
D483,475 S 12/2003 Kirwan
D498,846 S * 11/2004 Hayamizu D24/138
D512,147 S 11/2005 Barker
D518,175 S 3/2006 Hardin, Jr.
(Continued)

(**) Term: **15 Years**

FOREIGN PATENT DOCUMENTS

(21) Appl. No.: **29/546,735**

WO 2008075241 A2 6/2008

(22) Filed: **Nov. 25, 2015**

OTHER PUBLICATIONS

Related U.S. Application Data

Kimberly-Clark“KimVent” Oral Care q4 Kit & Individual Componets/Packs, Kimberly Clark, 2008, 6 pages.

(63) Continuation of application No. 29/446,358, filed on Feb. 22, 2013, now Pat. No. Des. 744,638, which is a continuation of application No. 29/402,947, filed on Sep. 29, 2011, now Pat. No. Des. 678,512.

(Continued)

(51) **LOC (10) Cl.** **24-02**

Primary Examiner — David Muller

(52) **U.S. Cl.**
USPC **D24/112**

(74) *Attorney, Agent, or Firm* — Fitch, Even, Tabin & Flannery LLP

(58) **Field of Classification Search**
USPC D24/111–114, 133, 186, 130, 127, 108, D24/146, 147, 129, 138, 176; 606/181, 606/185; 604/30, 34, 35, 39, 119, 161, 604/500, 902, 264; 600/101, 139, 143; 128/200.24, 207.14, 207.15; 433/91
CPC A61M 1/008; A61C 17/043; A61B 1/015
See application file for complete search history.

(57) **CLAIM**

I claim the ornamental design for a suction handle, as shown and described.

(56) **References Cited**

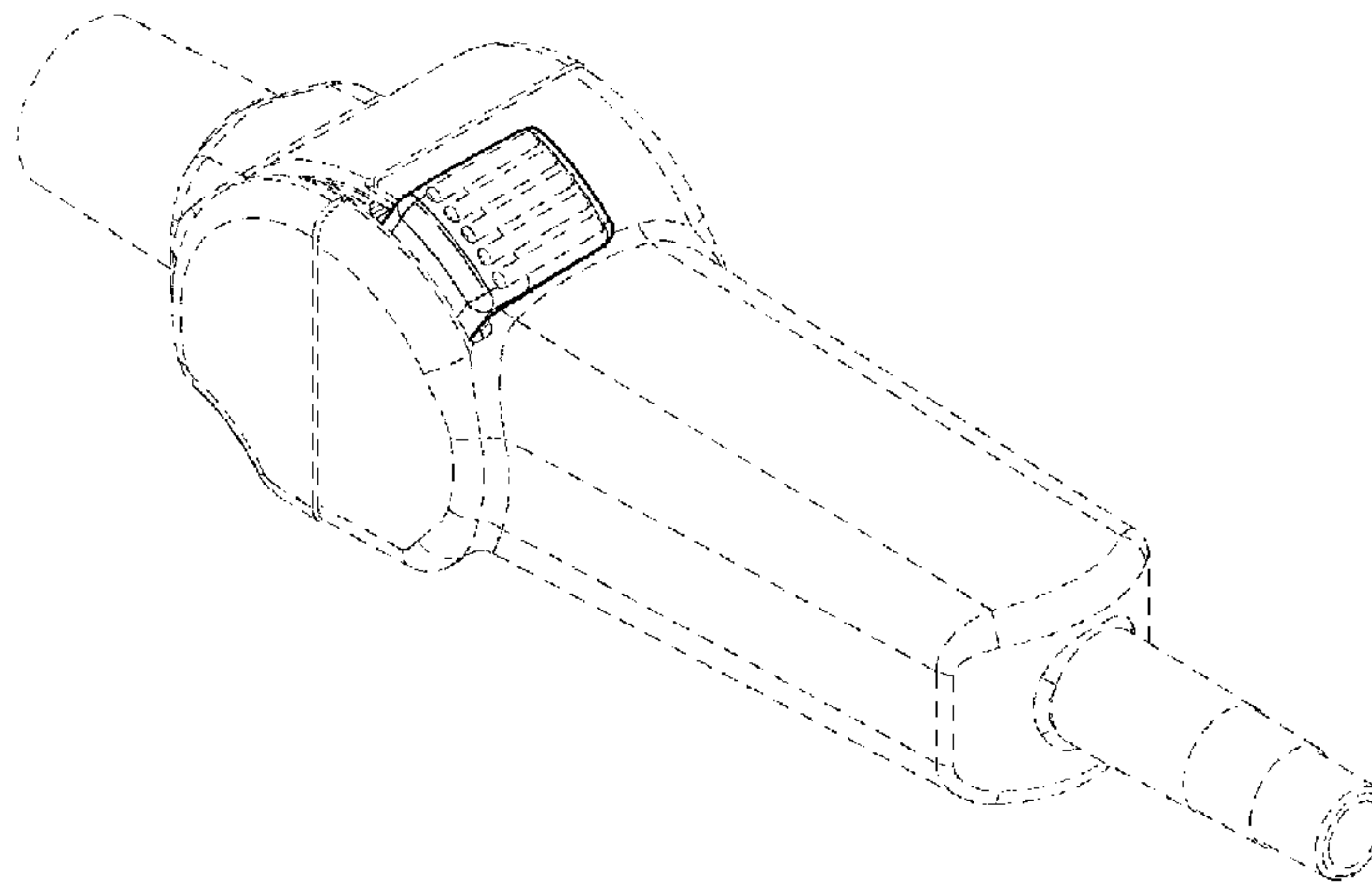
DESCRIPTION

U.S. PATENT DOCUMENTS

FIG. 1 is a perspective view of an ornamental design for a suction handle;
FIG. 2 is a second perspective view thereof;
FIG. 3 is a top plan view thereof;
FIG. 4 is a bottom plan view thereof;
FIG. 5 is a right side elevational view thereof;
FIG. 6 is a left side elevational view thereof;
FIG. 7 is a rear elevational view thereof; and,
FIG. 8 is a front elevational view thereof.
The broken lines shown in the drawings are included for the purpose of illustrating use and environment and form no part of the claimed design.

3,749,090 A 7/1973 Stewart
D279,924 S 7/1985 Osgood
D282,285 S 1/1986 Levy
D326,714 S 6/1992 Funakoshi
5,203,769 A 4/1993 Clement
D351,652 S 10/1994 Thompson
D357,064 S 4/1995 Bartlett

1 Claim, 3 Drawing Sheets



(56)

References Cited

U.S. PATENT DOCUMENTS

D518,573 S 4/2006 French
 D535,393 S * 1/2007 Pilvisto D16/202
 D545,439 S 6/2007 Draudt
 D564,093 S 3/2008 Marchand
 D571,458 S 6/2008 Kataoka
 D576,725 S 9/2008 Shumer
 D581,052 S 11/2008 Root
 D585,993 S 2/2009 Kousuge
 D606,651 S 12/2009 Bukoski
 7,625,207 B2 12/2009 Hershey
 D622,842 S 8/2010 Benoit
 D630,728 S 1/2011 Dombrowski
 7,866,477 B2 1/2011 Sturm
 7,867,190 B2 1/2011 Ponsi
 D632,783 S * 2/2011 Maesarapu D24/129
 D653,329 S 1/2012 Lee-Sepsick
 D669,578 S 10/2012 Burgess
 D678,512 S 3/2013 Bow
 D698,441 S 1/2014 Meguro
 D709,184 S 7/2014 Lee-Sepsick
 8,764,731 B2 7/2014 Burgess
 8,834,407 B2 9/2014 Greeson, Jr.
 D715,429 S 10/2014 Yu
 D718,437 S 11/2014 Osypka
 D718,445 S 11/2014 Yoshida
 D719,651 S 12/2014 Hoffmann

8,986,363 B2 * 3/2015 McHugo A61F 2/95
 604/61
 9,173,725 B2 11/2015 Thorp
 D744,638 S 12/2015 Bow
 D749,717 S * 2/2016 Kobida D24/108
 9,248,228 B2 2/2016 Bono
 9,295,551 B2 * 3/2016 Straubinger A61F 2/2436
 D753,291 S * 4/2016 Ratjen D24/112
 D753,296 S * 4/2016 Gill D24/138
 D753,823 S * 4/2016 Hayamizu D24/138
 9,314,356 B2 * 4/2016 McHugo A61F 2/966
 D756,517 S * 5/2016 Sagalovich D24/137
 9,332,973 B2 * 5/2016 McWeeney A61B 10/0283
 9,345,633 B2 * 5/2016 Fuhr A61H 1/008
 2002/0103419 A1 8/2002 Christopher
 2004/0006380 A1 1/2004 Buck
 2008/0132760 A1 6/2008 Takeuchi
 2010/0240956 A1 9/2010 Secrest
 2011/0082431 A1 4/2011 Burgess
 2011/0098644 A1 4/2011 Ponsi
 2014/0207056 A1 7/2014 Bono
 2015/0258257 A1 9/2015 Kidman
 2015/0343121 A1 12/2015 Kobida

OTHER PUBLICATIONS

Suzanne M. Pear, 'VAP Prevention: Critical Techniques and Tools.'
 Healthcare Purchasing News, May 2008, pp. 40-41.

* cited by examiner

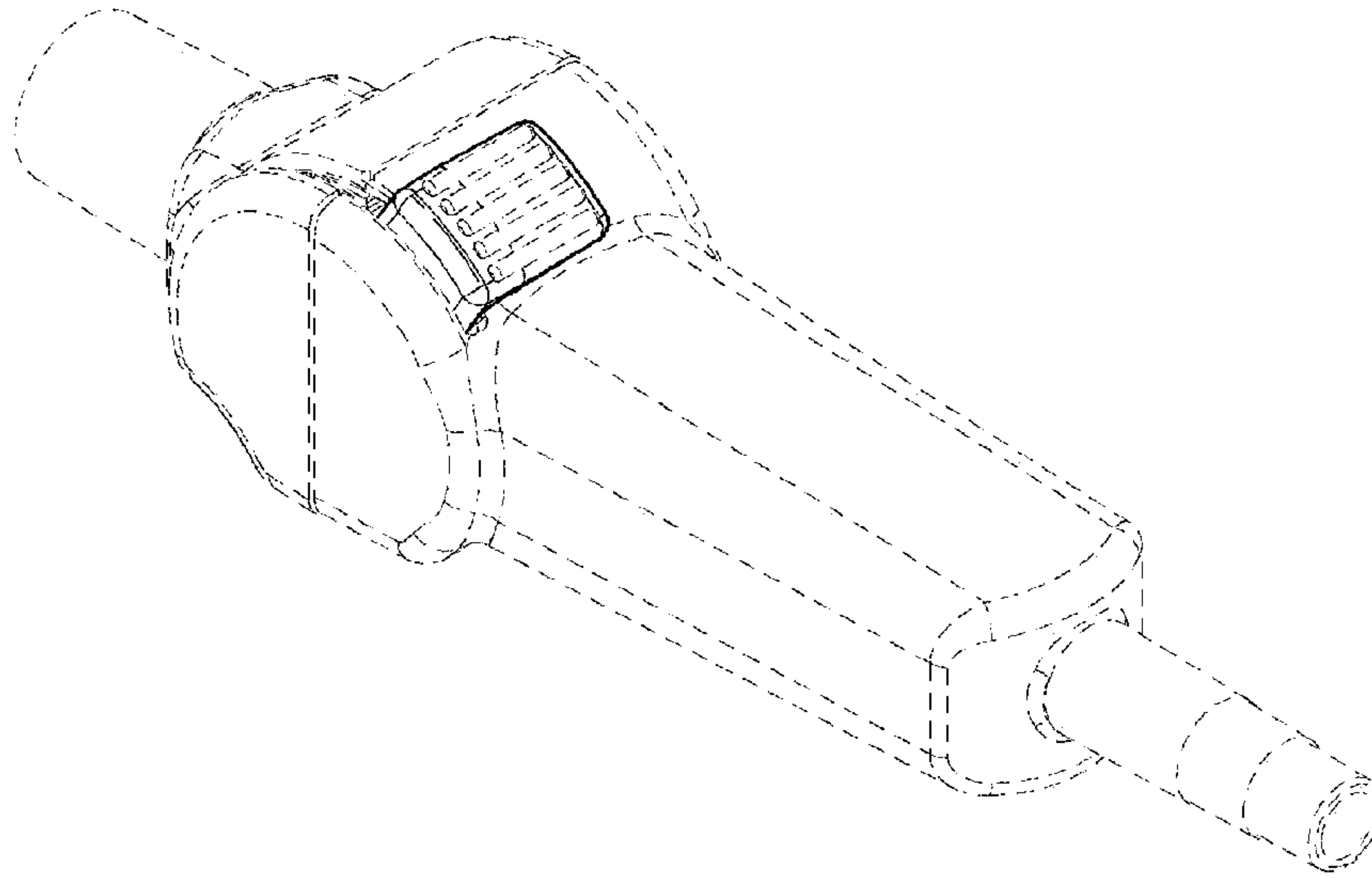


FIG. 1

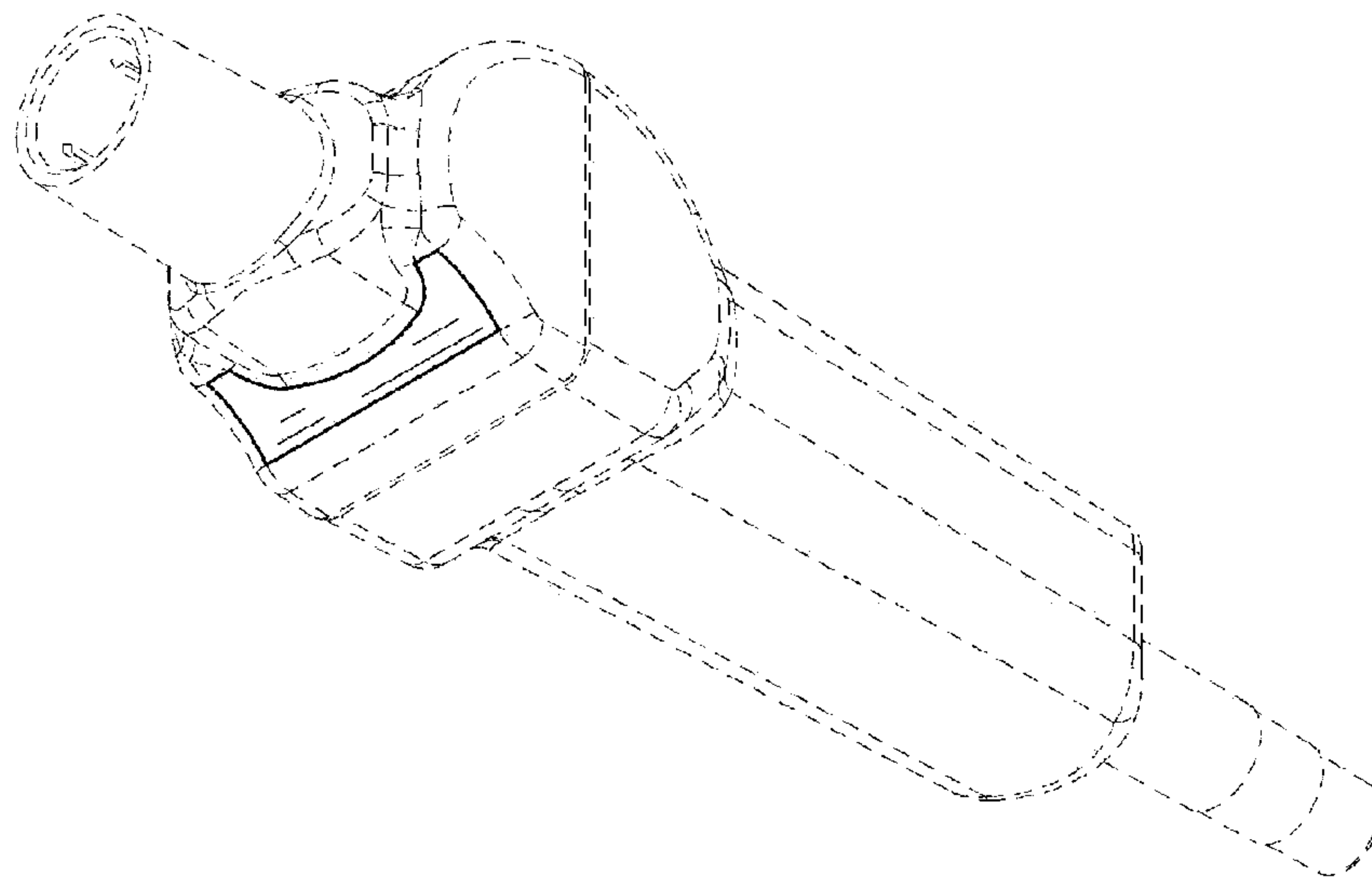


FIG. 2

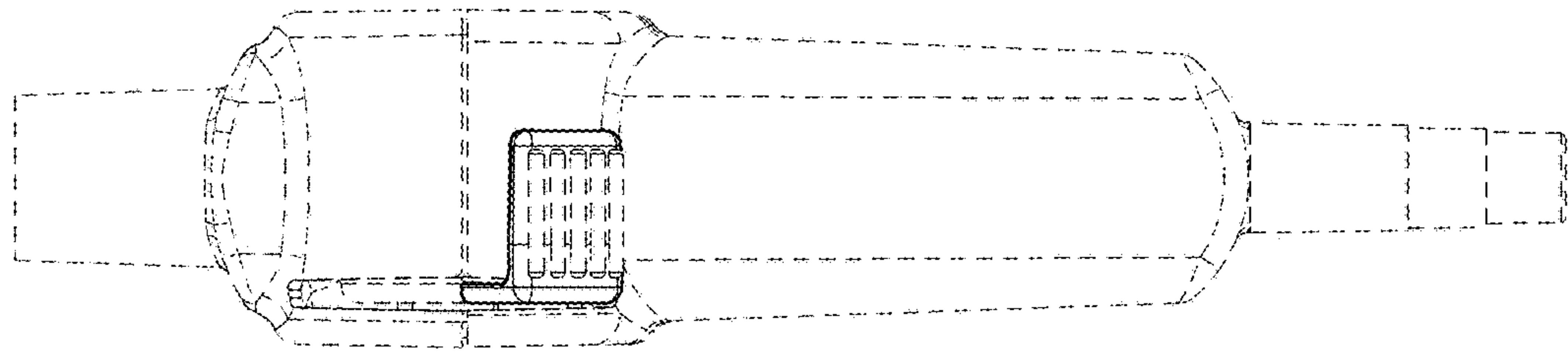


FIG. 3

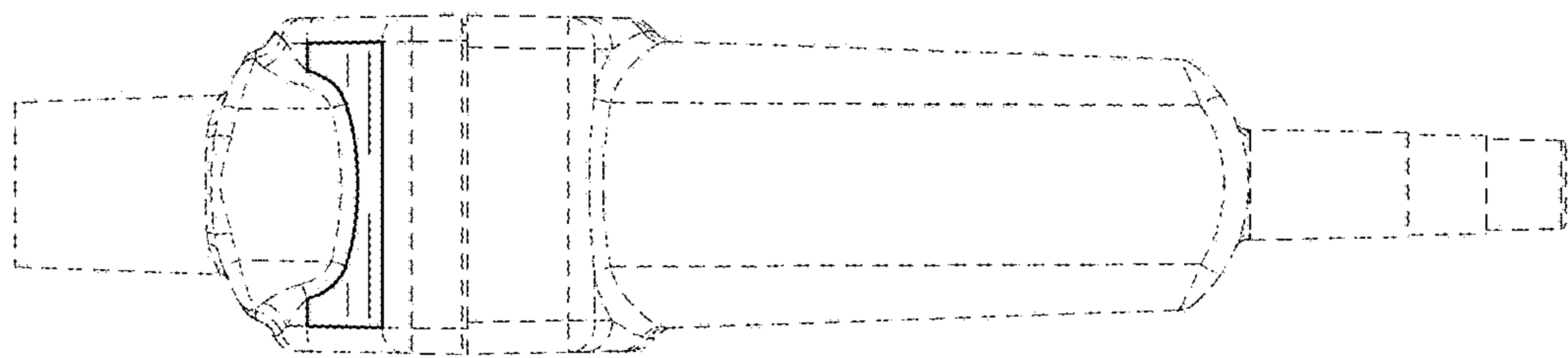


FIG. 4

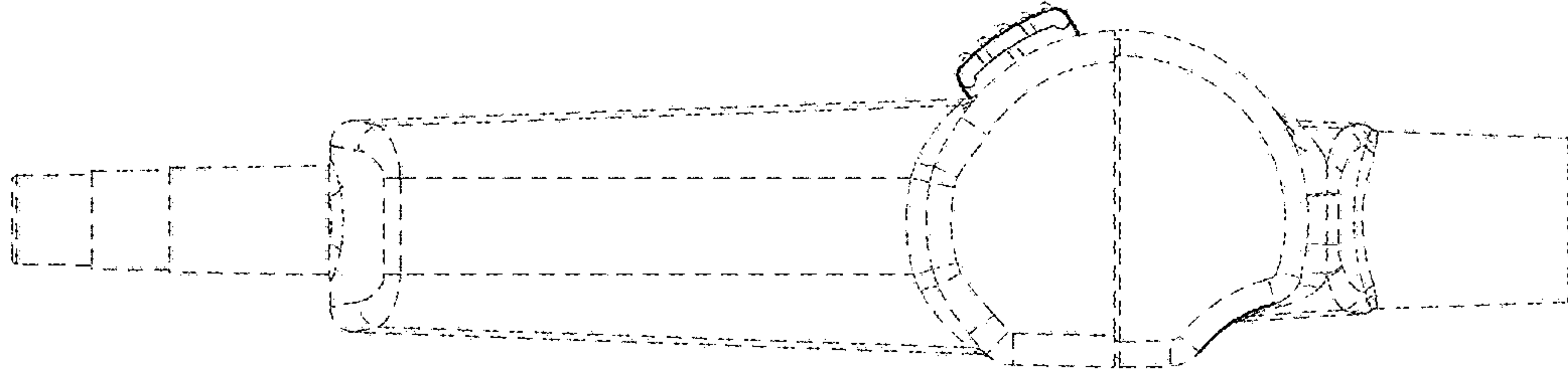


FIG. 5

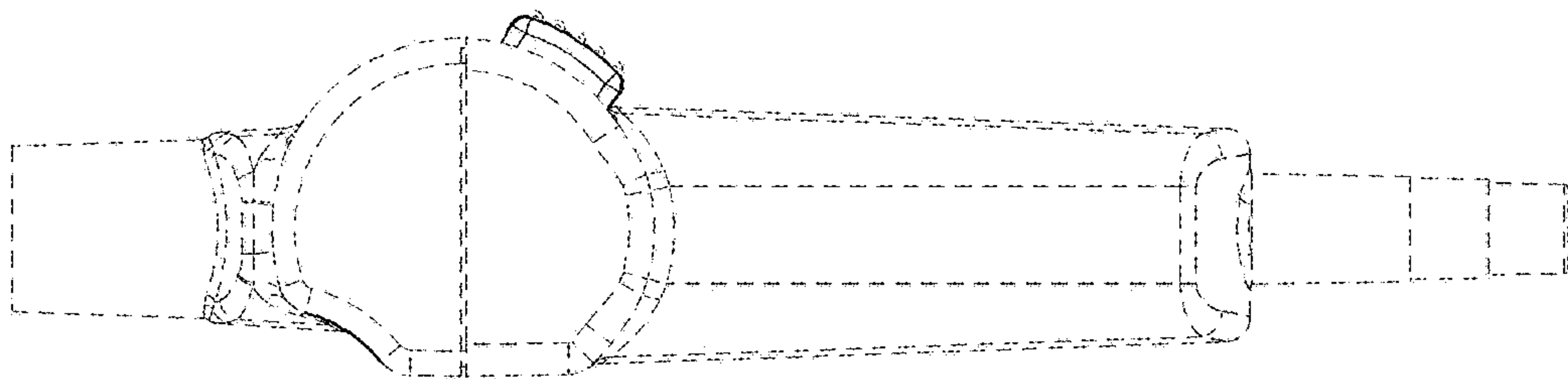


FIG. 6

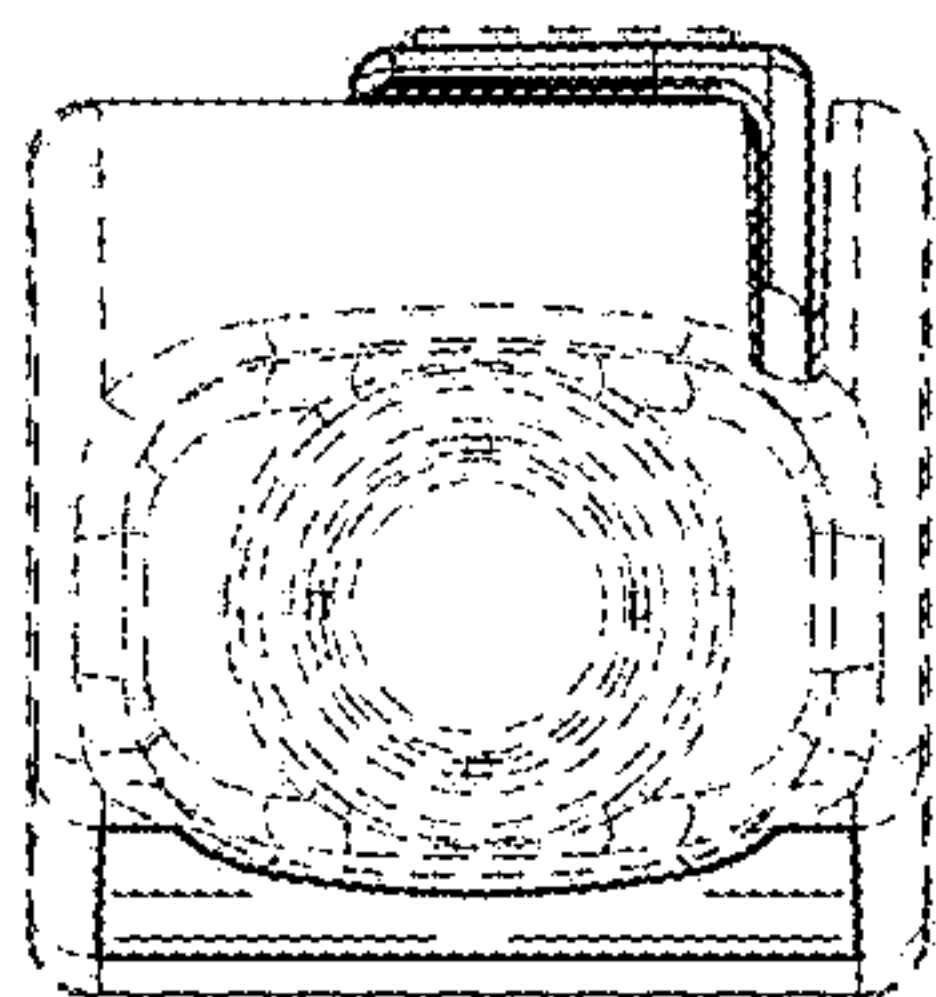


FIG. 7

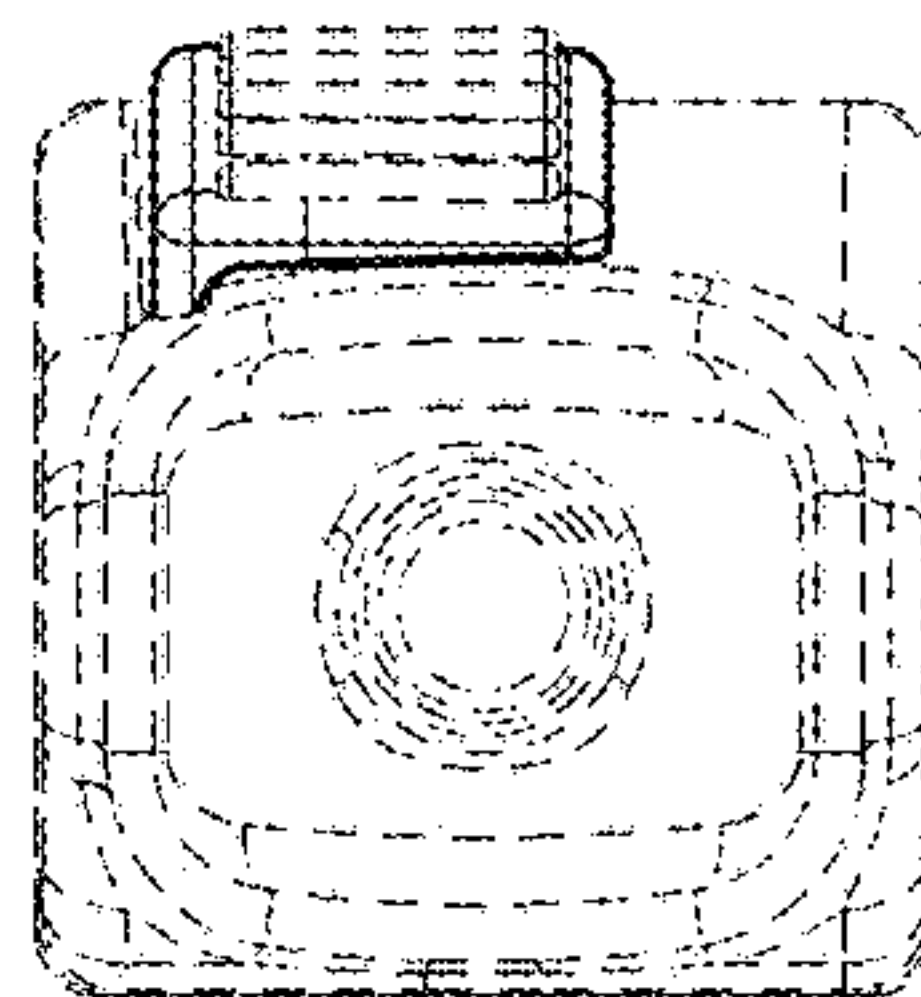


FIG. 8