



US00D780304S

(12) **United States Design Patent** (10) **Patent No.:** **US D780,304 S**
Veliss et al. (45) **Date of Patent:** **** Feb. 28, 2017**

(54) **CUSHION FOR A RESPIRATORY MASK**

(56) **References Cited**

(71) Applicant: **ResMed Limited**, Bella Vista, New South Wales (AU)

U.S. PATENT DOCUMENTS

(72) Inventors: **Lee James Veliss**, Rotterdam (NL); **Amal Shirley Amarasinghe**, Sydney (AU); **Bart Jeremy Caffin**, Sydney (AU); **Joshua Adam Gudiksen**, Sydney (AU); **Eric Siu**, Sydney (AU); **Ian Frederick Johnson**, Sydney (AU); **Richard Sokolov**, Sydney (AU)

2,763,263 A	9/1956	Ellman	
3,513,844 A	5/1970	Smith	
4,782,832 A	11/1988	Trimble et al.	
4,915,105 A	4/1990	Lee	
5,687,715 A	11/1997	Landis et al.	
6,119,694 A	9/2000	Correa et al.	
6,135,109 A *	10/2000	Blasdell	A61M 16/0616 128/206.21
6,431,172 B1	8/2002	Bordewick	
6,595,215 B2	7/2003	Wood	
D485,905 S	1/2004	Moore et al.	

(73) Assignee: **ResMed Limited**, Bella Vista (AU)

(Continued)

(**) Term: **15 Years**

OTHER PUBLICATIONS

(21) Appl. No.: **29/550,509**

Veliss et al., parent U.S. Appl. No. 29/487,923, filed Apr. 14, 2014.
U.S. Appl. No. 29/458,093, filed Jun. 2013, Veliss et al.

(22) Filed: **Jan. 5, 2016**

Primary Examiner — Barbara Fox
Assistant Examiner — Lilyana Bekic
(74) *Attorney, Agent, or Firm* — Nixon & Vanderhye P.C.

Related U.S. Application Data

(62) Division of application No. 29/487,923, filed on Apr. 14, 2014, now Pat. No. Des. 757,250, which is a division of application No. 29/458,093, filed on Jun. 17, 2013, now Pat. No. Des. 706,413, which is a division of application No. 29/371,591, filed on May 5, 2011, now Pat. No. Des. 685,463.

(57) **CLAIM**

The ornamental design for a cushion for respiratory mask, as shown.

(51) **LOC (10) Cl.** **29-02**

(52) **U.S. Cl.**
USPC **D24/110.4**

DESCRIPTION

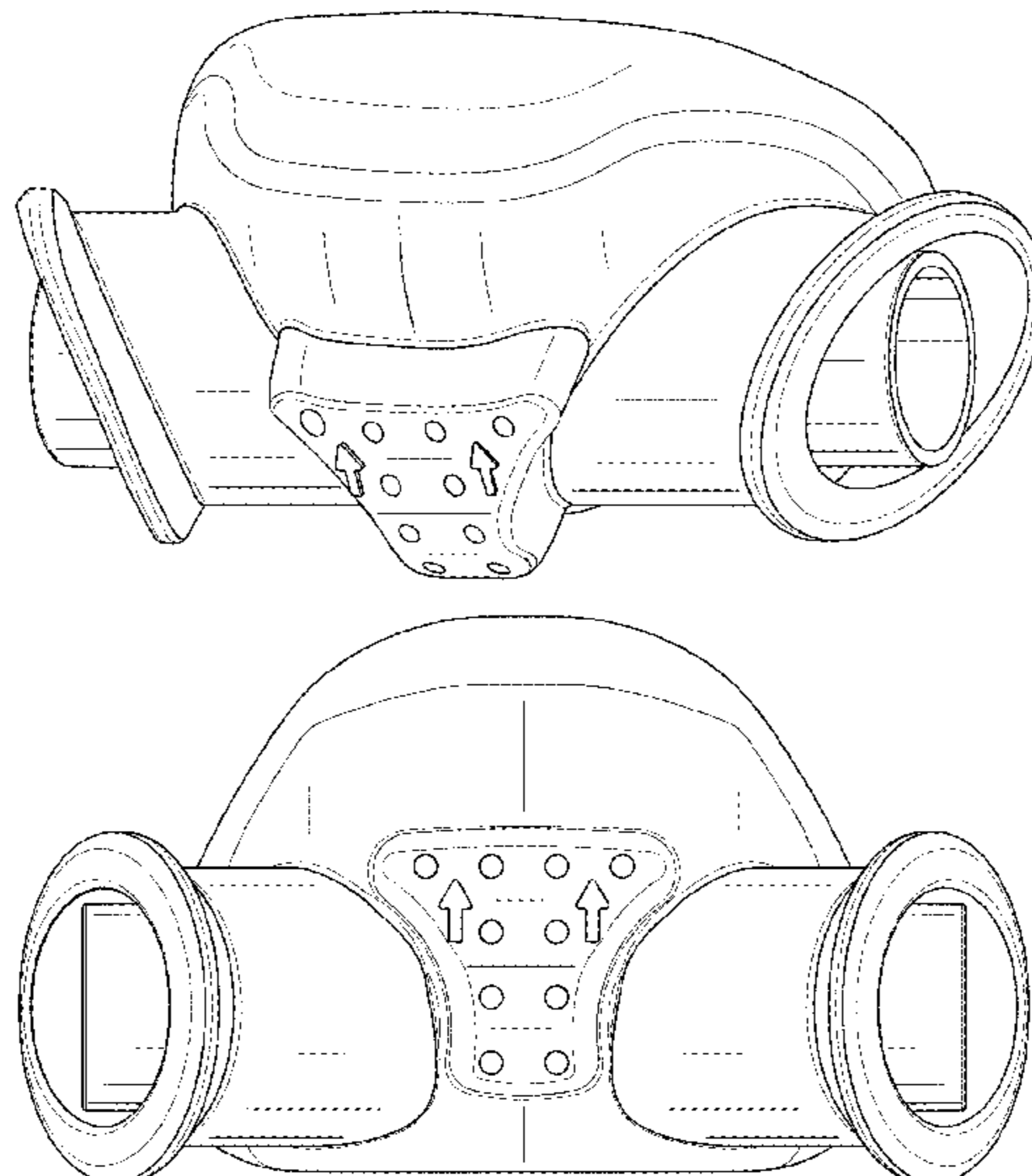
(58) **Field of Classification Search**
USPC D24/110-110.5, 127, 164
CPC A61M 16/0622; A61M 16/0616; A61M 16/0816; A61M 16/08; A61M 16/0633; A61M 16/06; A61M 16/0666; A61M 2210/0618; A61M 16/0683

FIG. 1 is a front perspective view of a cushion for respiratory mask showing our new design;
FIG. 2 is a front view thereof;
FIG. 3 is a rear view thereof;
FIG. 4 is a top view thereof;
FIG. 5 is a bottom view thereof;
FIG. 6 is a right side view thereof; and,
FIG. 7 is a left side view thereof.

The broken lines in the drawings illustrate portions of the cushion for respiratory mask that form no part of the claimed design.

See application file for complete search history.

1 Claim, 4 Drawing Sheets



(56)

References Cited

U.S. PATENT DOCUMENTS

D496,098 S	9/2004	Guney		D685,463 S	7/2013	Veliss et al.	
6,889,689 B1	5/2005	Neuman		D689,602 S	9/2013	Amirav	
D507,348 S	7/2005	Moore		D691,712 S	10/2013	Judson	
D535,742 S *	1/2007	VonDohlen	D24/110.4	D693,459 S	11/2013	Prentice et al.	
D542,912 S	5/2007	Gunaratnam et al.		D696,396 S	12/2013	Eves	
D545,961 S	7/2007	Hitchcock et al.		D696,767 S	12/2013	Scheiner et al.	
D546,441 S	7/2007	Hitchcock et al.		D706,413 S	6/2014	Veliss et al.	
D556,899 S	12/2007	Veliss		D708,736 S	7/2014	Judson	
D557,409 S	12/2007	Veliss		D709,181 S	7/2014	Henry	
7,318,437 B2	1/2008	Gunaratnam et al.		8,839,791 B2 *	9/2014	Allum	A61M 16/0666 128/201.13
D580,048 S	11/2008	Guney		9,038,634 B2 *	5/2015	Brambilla	A61M 16/0666 128/201.13
D586,907 S	2/2009	Judson et al.		9,038,635 B2 *	5/2015	Brambilla	A61M 16/0666 128/201.13
D586,911 S	2/2009	McAuley et al.		9,327,092 B2 *	5/2016	Brambilla	A61M 16/0666
D588,258 S	3/2009	Judson et al.		2003/0196655 A1	10/2003	Ging et al.	
D591,419 S	4/2009	Chandran et al.		2004/0226566 A1	11/2004	Gunaratnam	
D595,841 S	7/2009	McAuley et al.		2005/0172969 A1	8/2005	Ging et al.	
D600,343 S	9/2009	Degabriele		2005/0199242 A1	9/2005	Matula, Jr.	
D612,481 S	3/2010	Reid		2005/0241644 A1	11/2005	Gunaratnam	
D612,482 S	3/2010	Degabriele		2006/0137690 A1	6/2006	Gunaratnam et al.	
D623,288 S	9/2010	Lubke et al.		2009/0044808 A1	2/2009	Guney et al.	
D637,279 S	5/2011	Scheiner et al.		2009/0126739 A1	5/2009	Ng et al.	
7,942,150 B2 *	5/2011	Guney	A61M 16/06 128/207.13	2009/0139527 A1	6/2009	Ng et al.	
D648,845 S	11/2011	Omura		2009/0151729 A1	6/2009	Judson	
D648,846 S	11/2011	Omura et al.		2009/0183739 A1	7/2009	Wondka	
D650,064 S	12/2011	Gunaratnam et al.		2009/0241961 A1	10/2009	McAuley et al.	
D656,607 S	3/2012	Gunaratnam et al.		2010/0313891 A1	12/2010	Veliss	
D665,494 S	8/2012	Stallard et al.		2011/0265796 A1	11/2011	Amarasinghe	
D668,328 S	10/2012	Hill et al.		2012/0067349 A1	3/2012	Barlow	
D673,259 S	12/2012	Davidson et al.		2012/0325218 A1 *	12/2012	Brambilla	A61M 16/0666 128/205.25
D681,191 S	4/2013	Shick		2013/0220327 A1	8/2013	Barlow	
D683,446 S	5/2013	Eves					
D683,447 S	5/2013	Olsen					

* cited by examiner

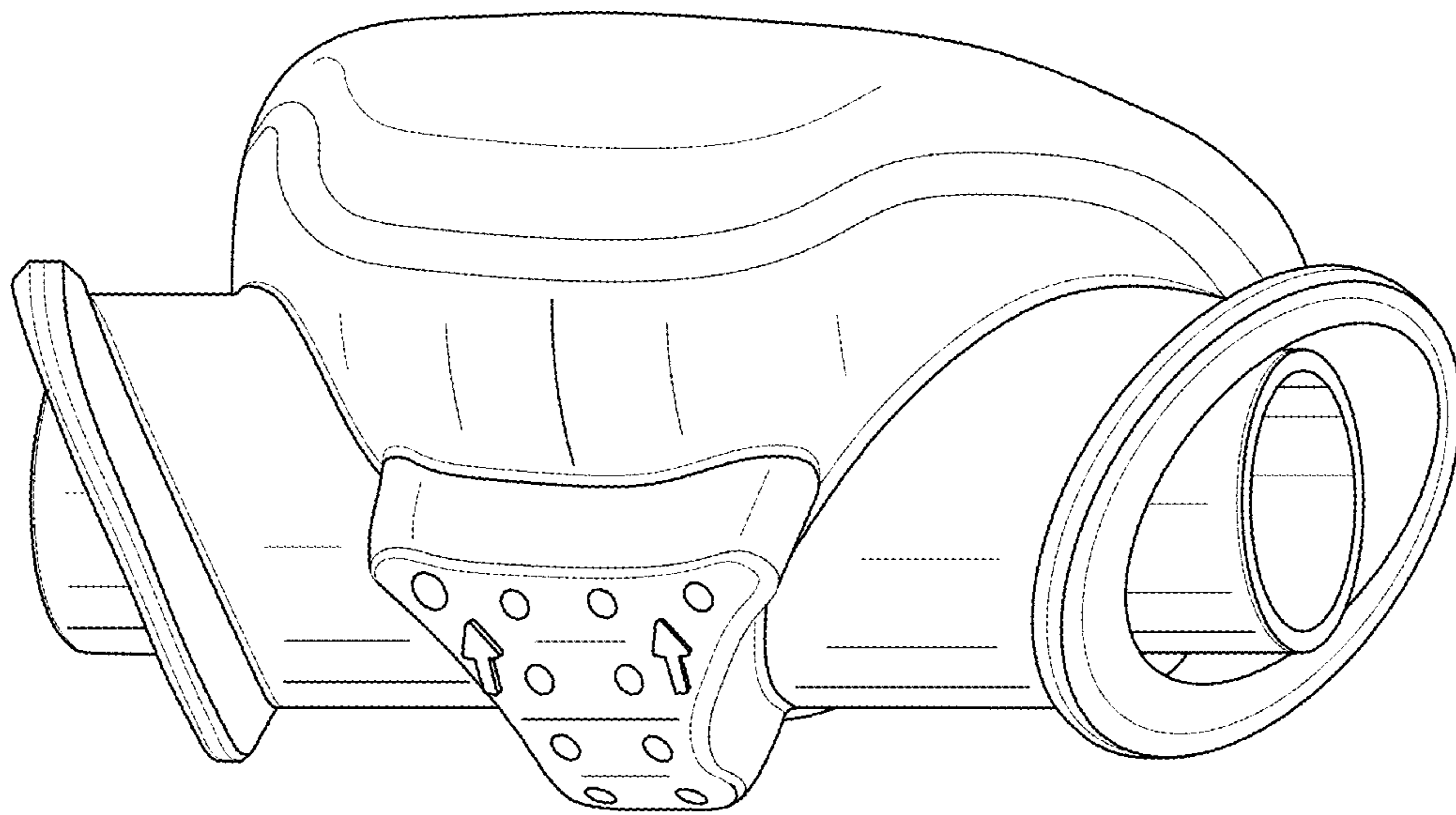


Figure 1

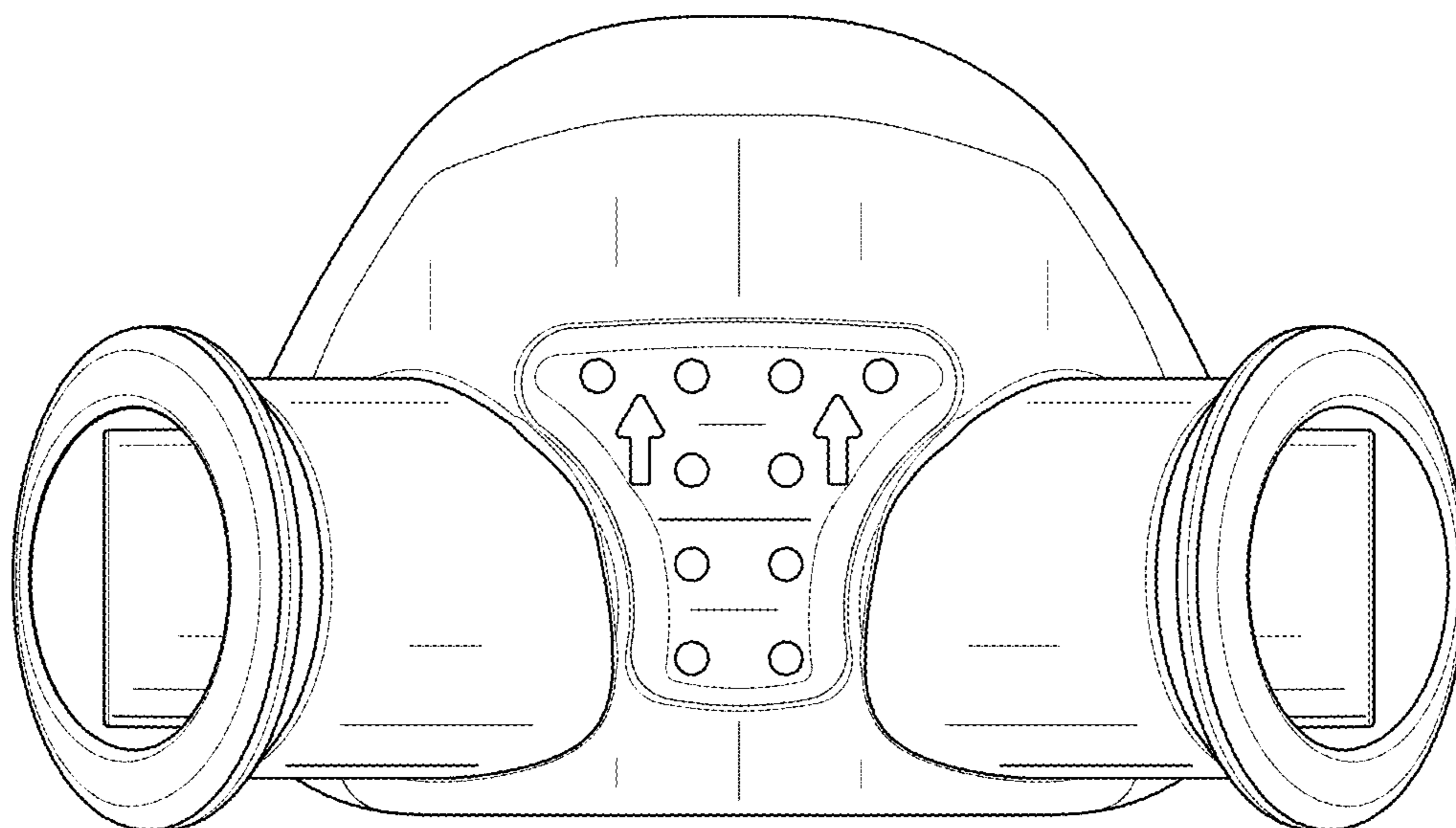


Figure 2

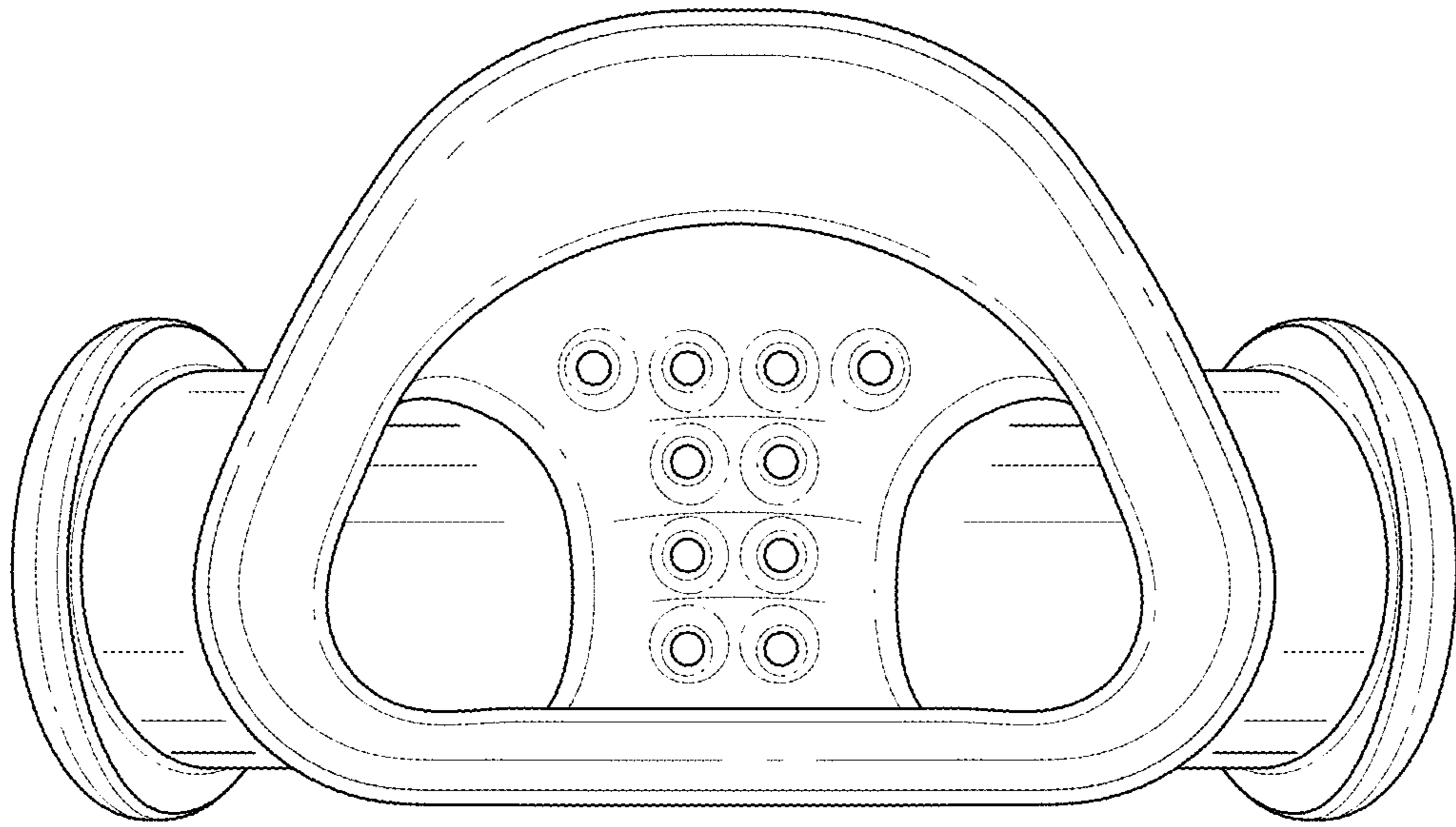


Figure 3

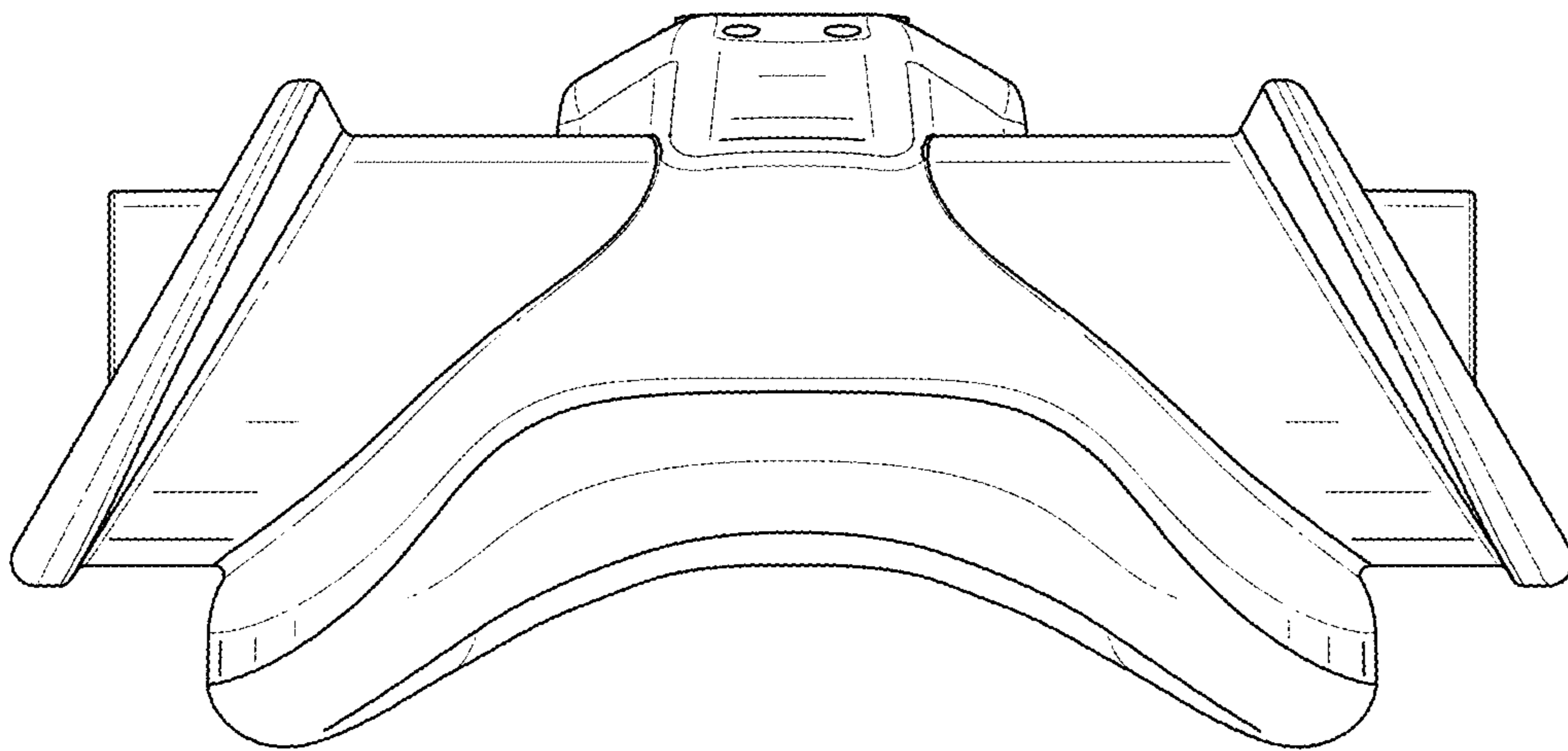


Figure 4

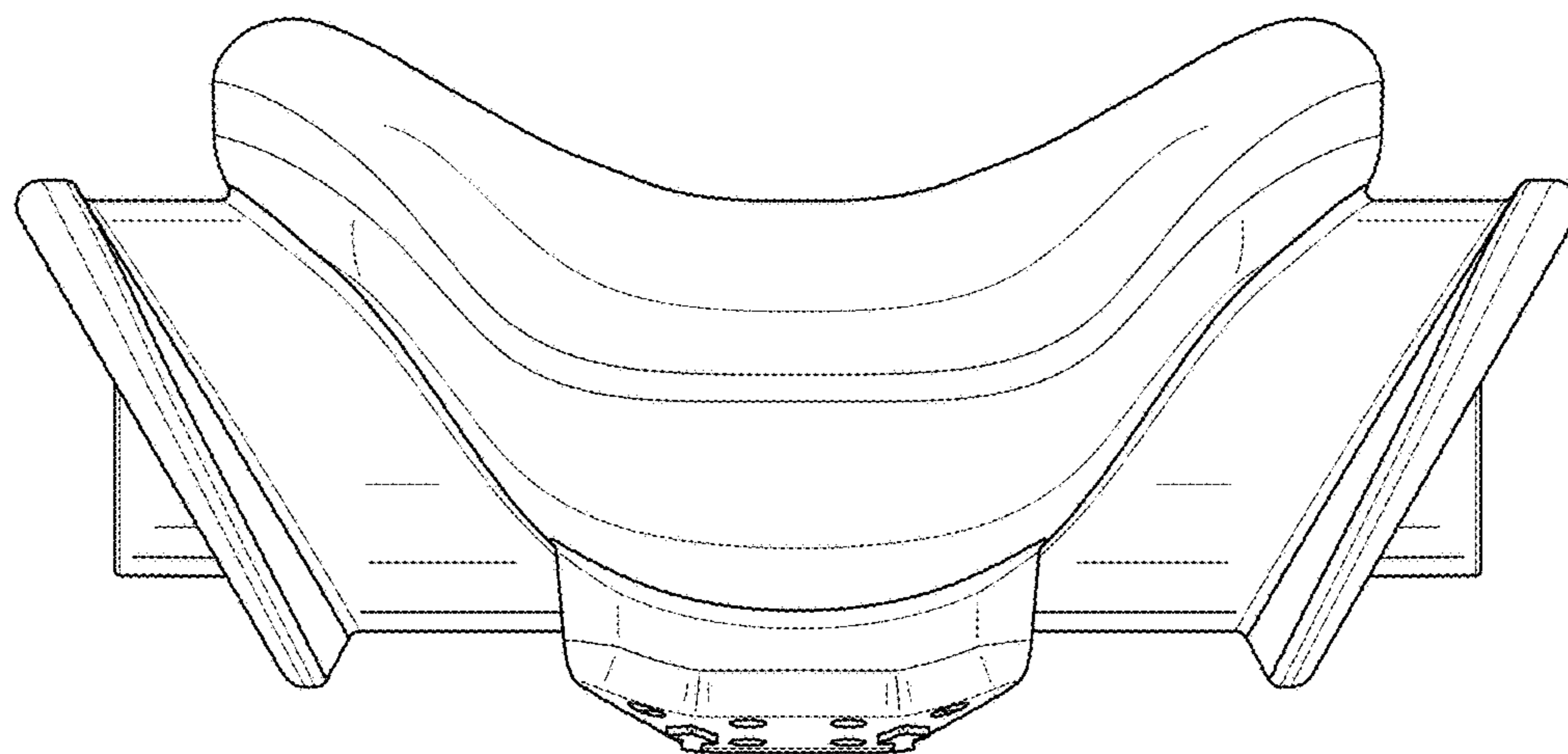


Figure 5

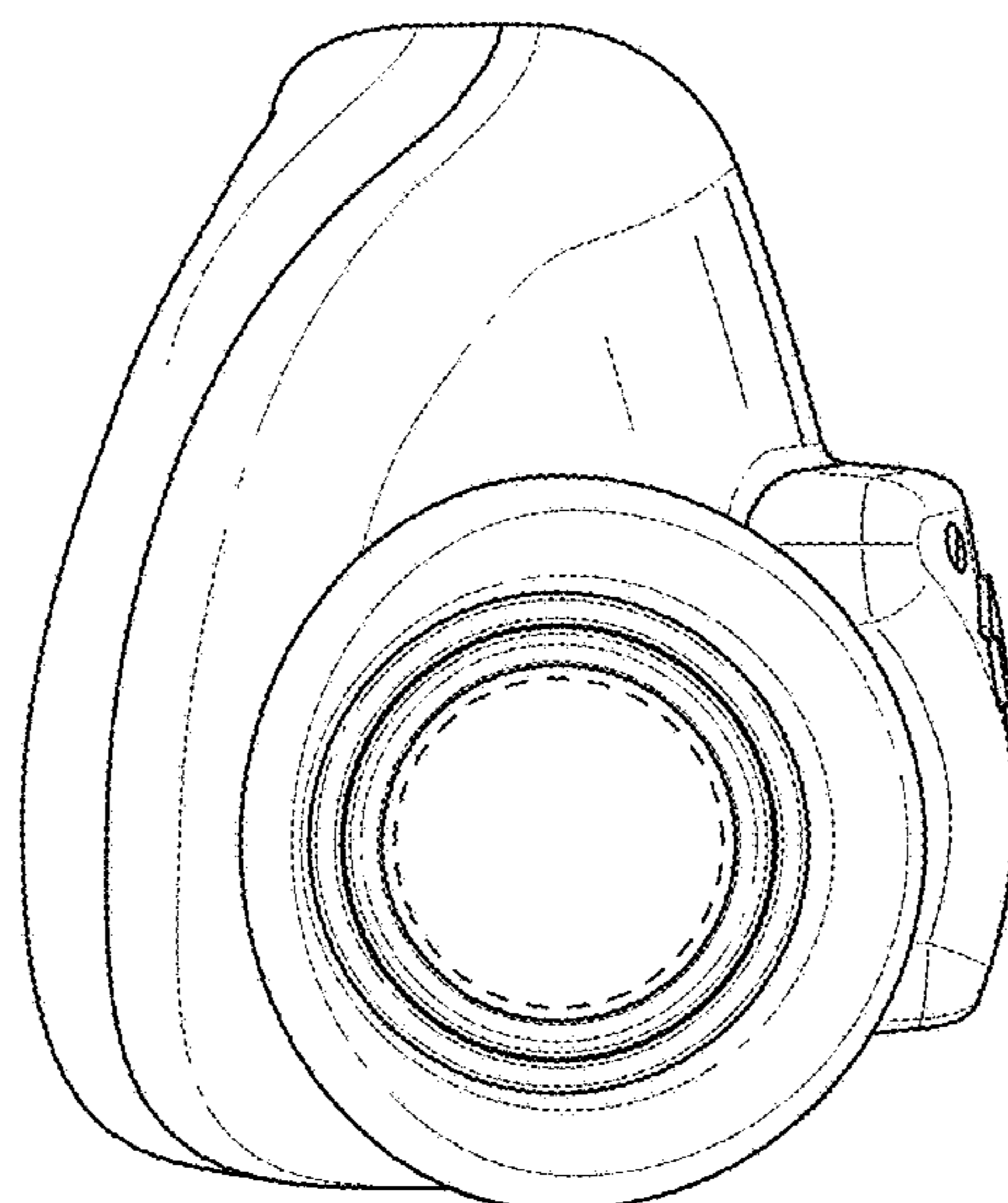


Figure 6

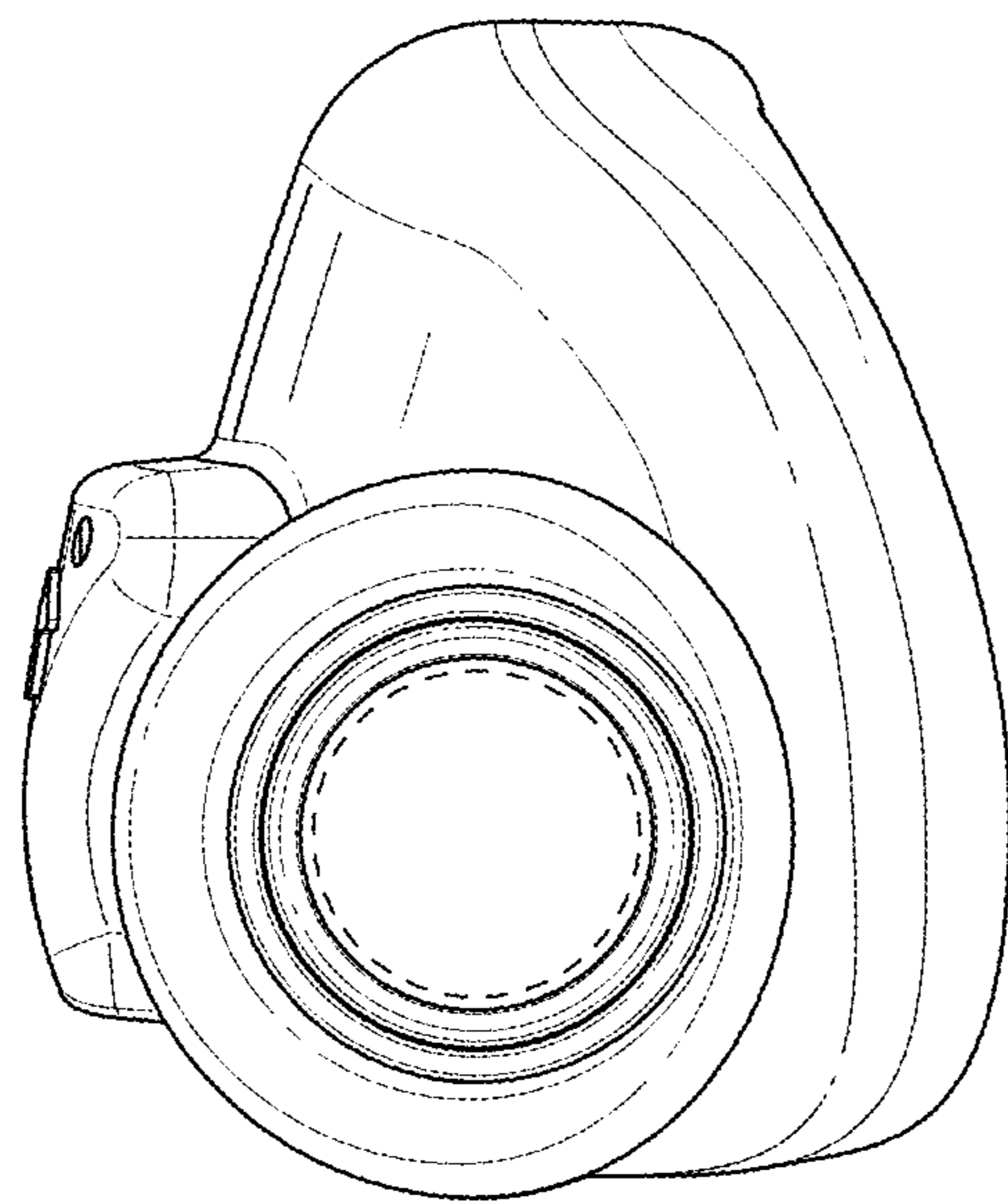


Figure 7