



US00D780302S

(12) **United States Design Patent**
Merritt

(10) **Patent No.:** **US D780,302 S**

(45) **Date of Patent:** **** Feb. 28, 2017**

- (54) **VENTED CHIMNEY CAP ASSEMBLY**
- (71) Applicant: **Matthew H. Merritt**, Ponte Vedra Beach, FL (US)
- (72) Inventor: **Matthew H. Merritt**, Ponte Vedra Beach, FL (US)
- (**) Term: **15 Years**
- (21) Appl. No.: **29/527,479**
- (22) Filed: **May 19, 2015**
- (51) **LOC (10) Cl.** **23-04**
- (52) **U.S. Cl.**
USPC **D23/374; D7/402**
- (58) **Field of Classification Search**
USPC D23/370-387, 411-414, 365, 355, 342, D23/332, 328, 337, 335, 314, 393; 415/60, 66, 68, 208.1, 213.1, 214.1, 415/209.3; 310/257; 361/695; 126/299 D, 299 R; D7/402; 454/5
CPC F01D 9/042; F04D 25/08; F04D 29/70; F04D 29/34; F04D 19/00; F24F 7/007; F24F 13/082; F24F 7/065; F24F 13/078; A47J 37/07
See application file for complete search history.

- (56) **References Cited**
U.S. PATENT DOCUMENTS
D135,628 S * 5/1943 Heiman D23/374
D191,018 S * 8/1961 Kearney et al. D23/376
D259,208 S * 5/1981 McCullough D23/376
D259,951 S * 7/1981 Briedert D23/376
D269,456 S * 6/1983 McDermott D23/376

- 6,143,341 A * 11/2000 Sikes A47J 37/07
126/369.1
- D689,738 S * 9/2013 Hobbs D7/402
- D720,056 S * 12/2014 Maki D23/322
- D753,956 S * 4/2016 Yang D7/402
- D766,419 S * 9/2016 Merritt D23/374
- 2013/0225057 A1* 8/2013 Merritt A47J 36/38
454/5

* cited by examiner

Primary Examiner — Susan Bennett Hattan
Assistant Examiner — Janice Hallmark
(74) *Attorney, Agent, or Firm* — Mark Young P.A.

(57) **CLAIM**

The ornamental design for a vented chimney cap assembly, as shown and described.

DESCRIPTION

FIG. 1 is a side, top-perspective view showing my new design;
FIG. 2 is a side, bottom-perspective view thereof with the vents partially closed;
FIG. 3 is a side, bottom-perspective view thereof with the vents partially opened;
FIG. 4 is a side, bottom-perspective view thereof with the vents fully closed;
FIG. 5 is a top view;
FIG. 6 is a bottom view;
FIG. 7 is a side view with the vents partially open;
FIG. 8 is another side view with the vents partially open;
FIG. 9 is another side view with the vents partially open; and,
FIG. 10 is another side view with the vents partially open.

1 Claim, 8 Drawing Sheets

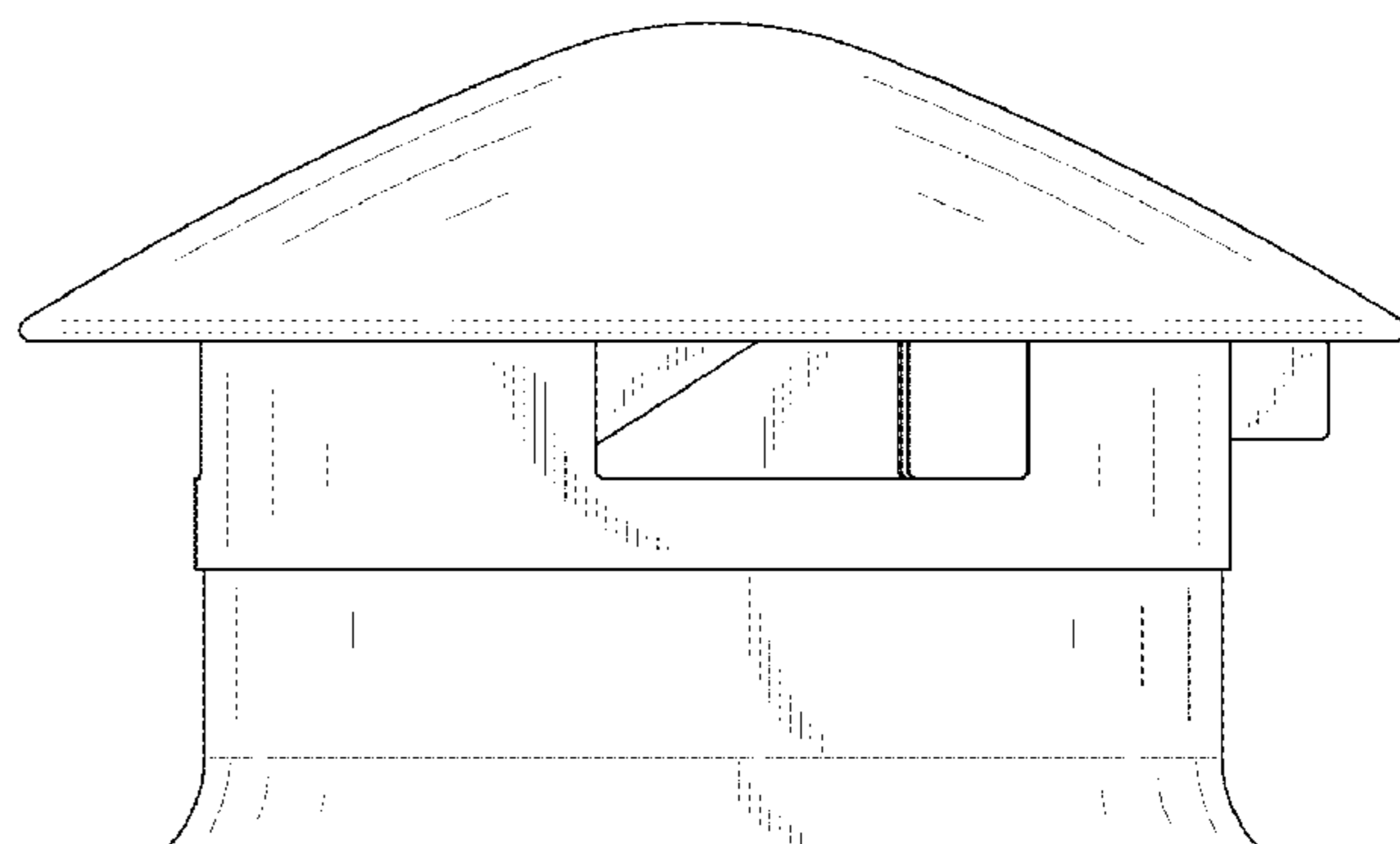
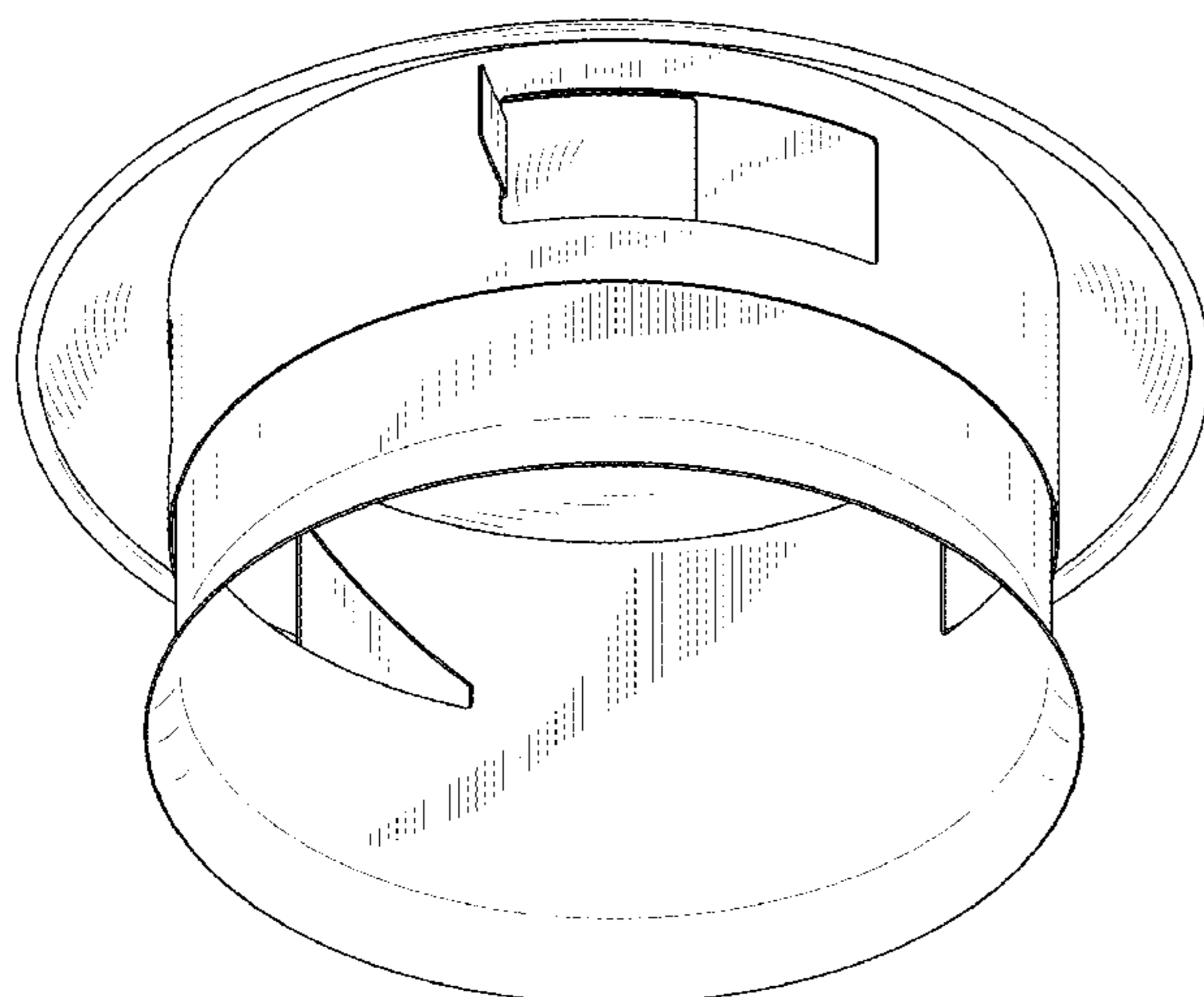


FIG. 1

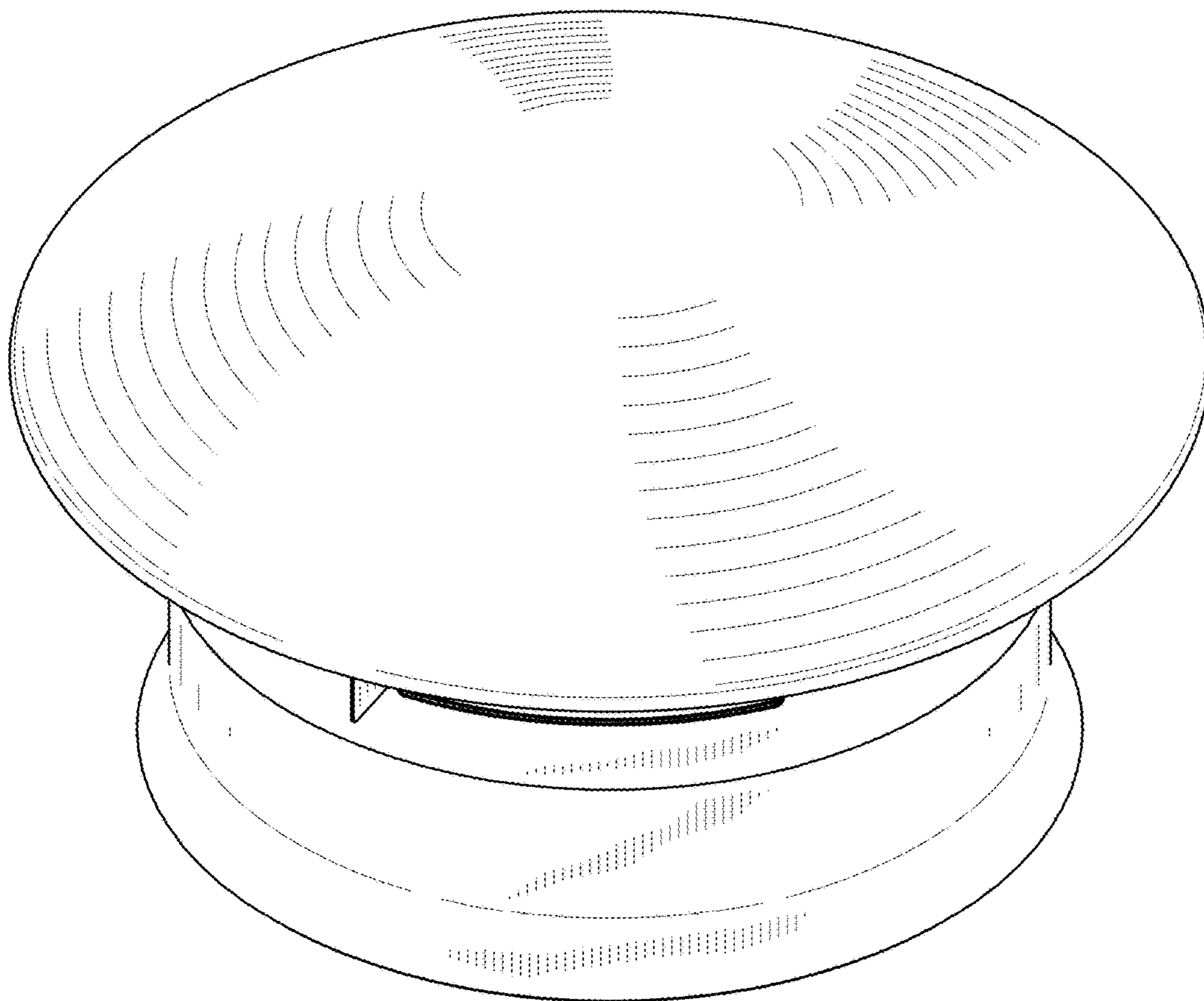


FIG. 2

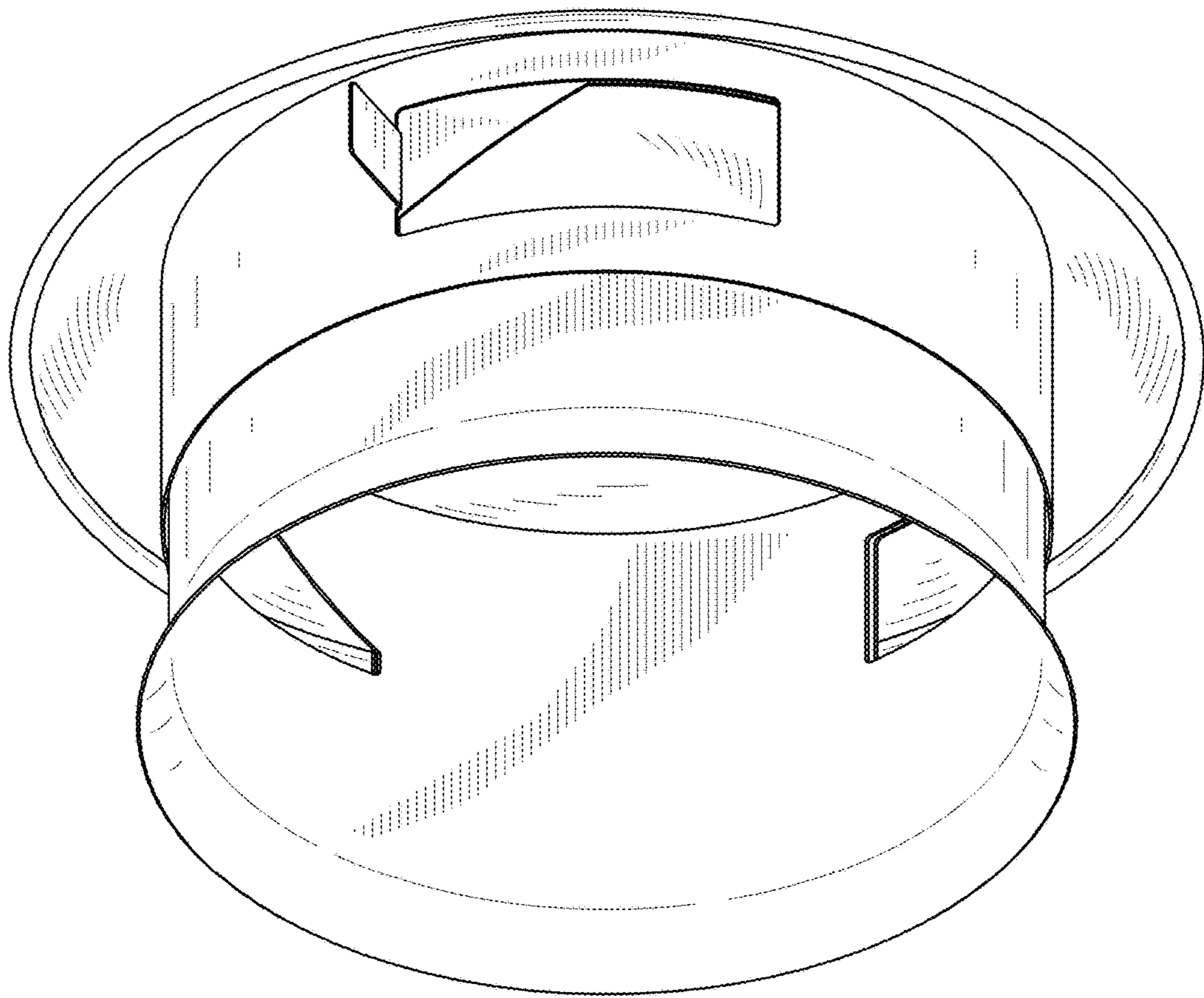


FIG. 3

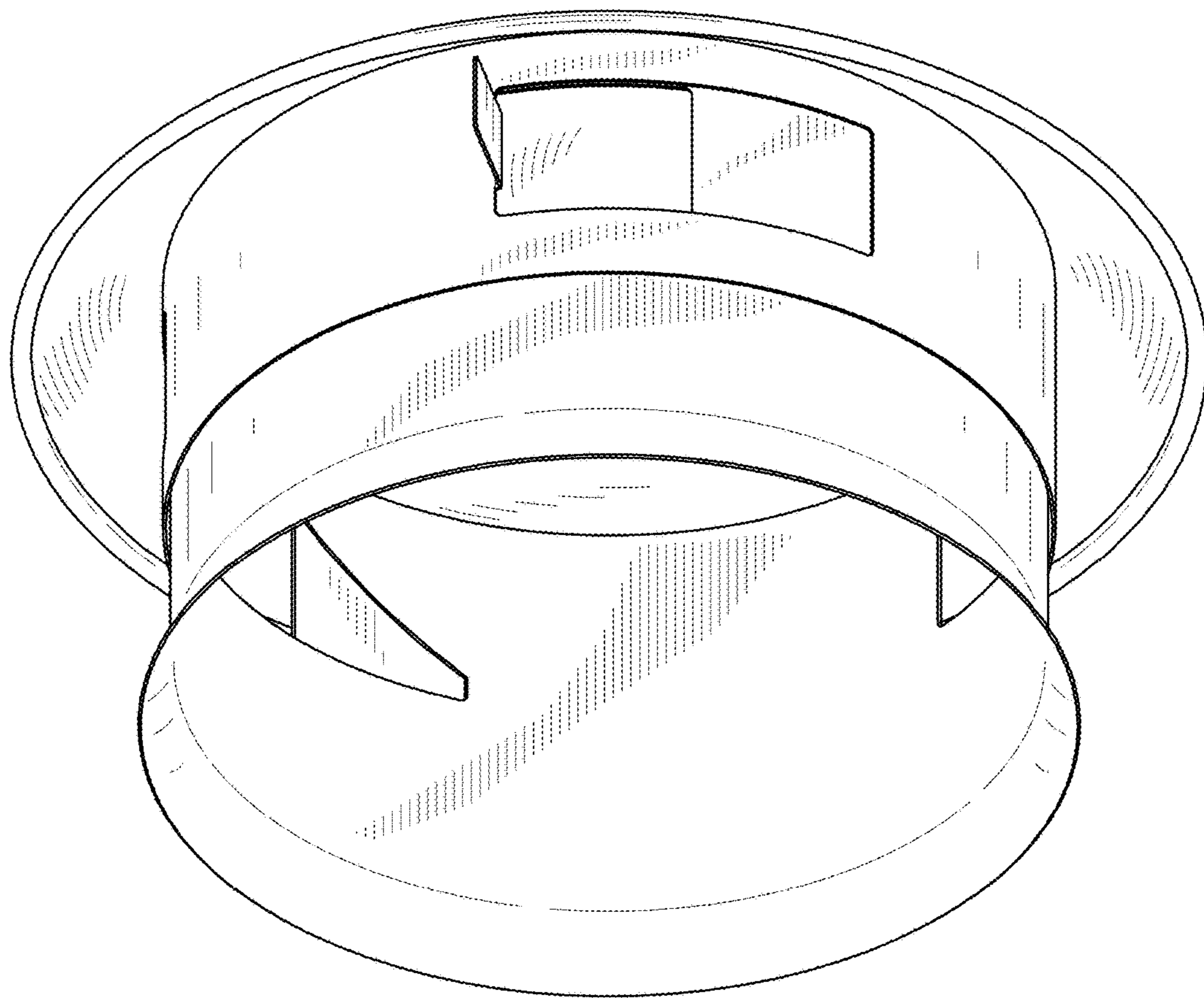


FIG. 4

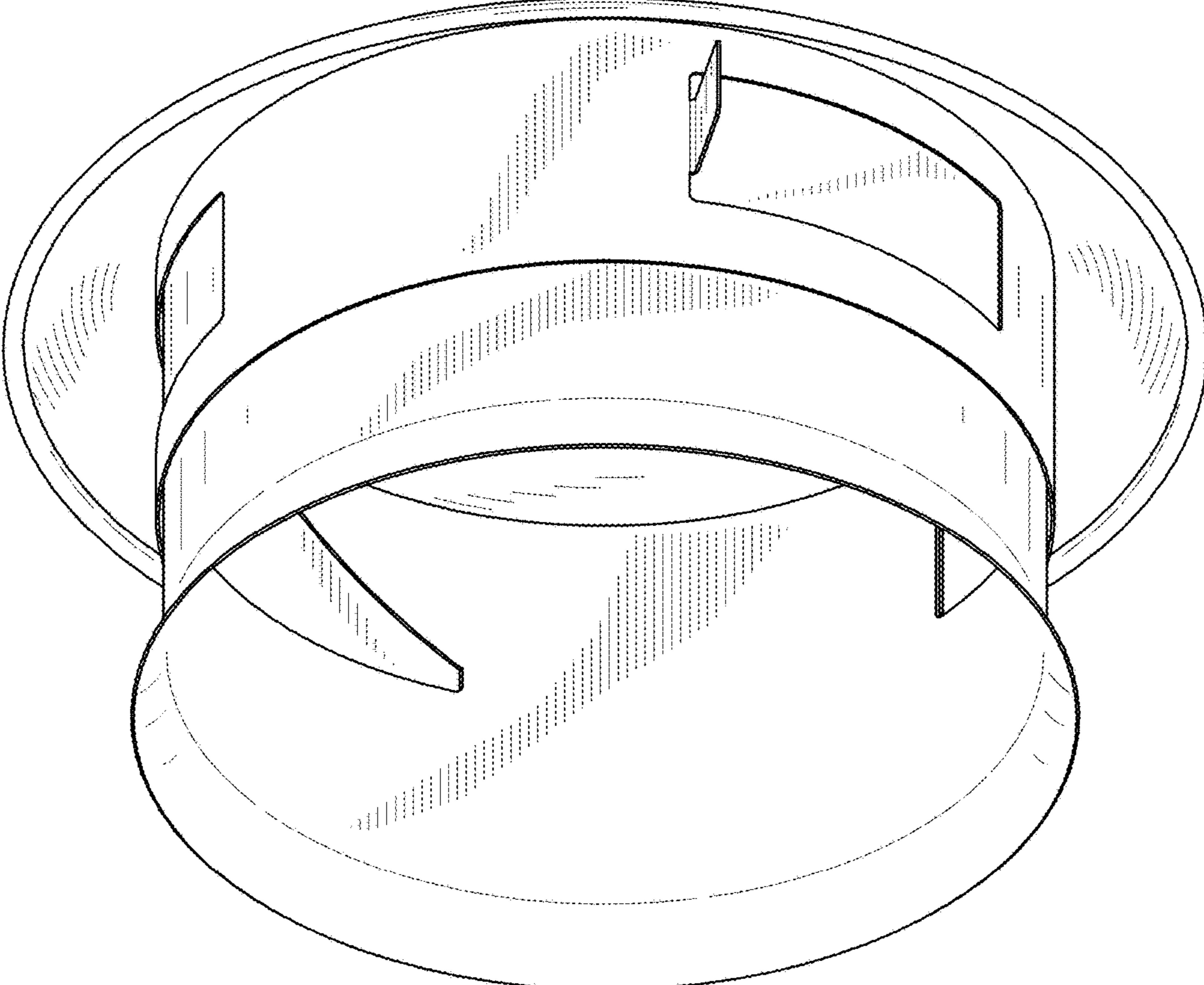


FIG. 5

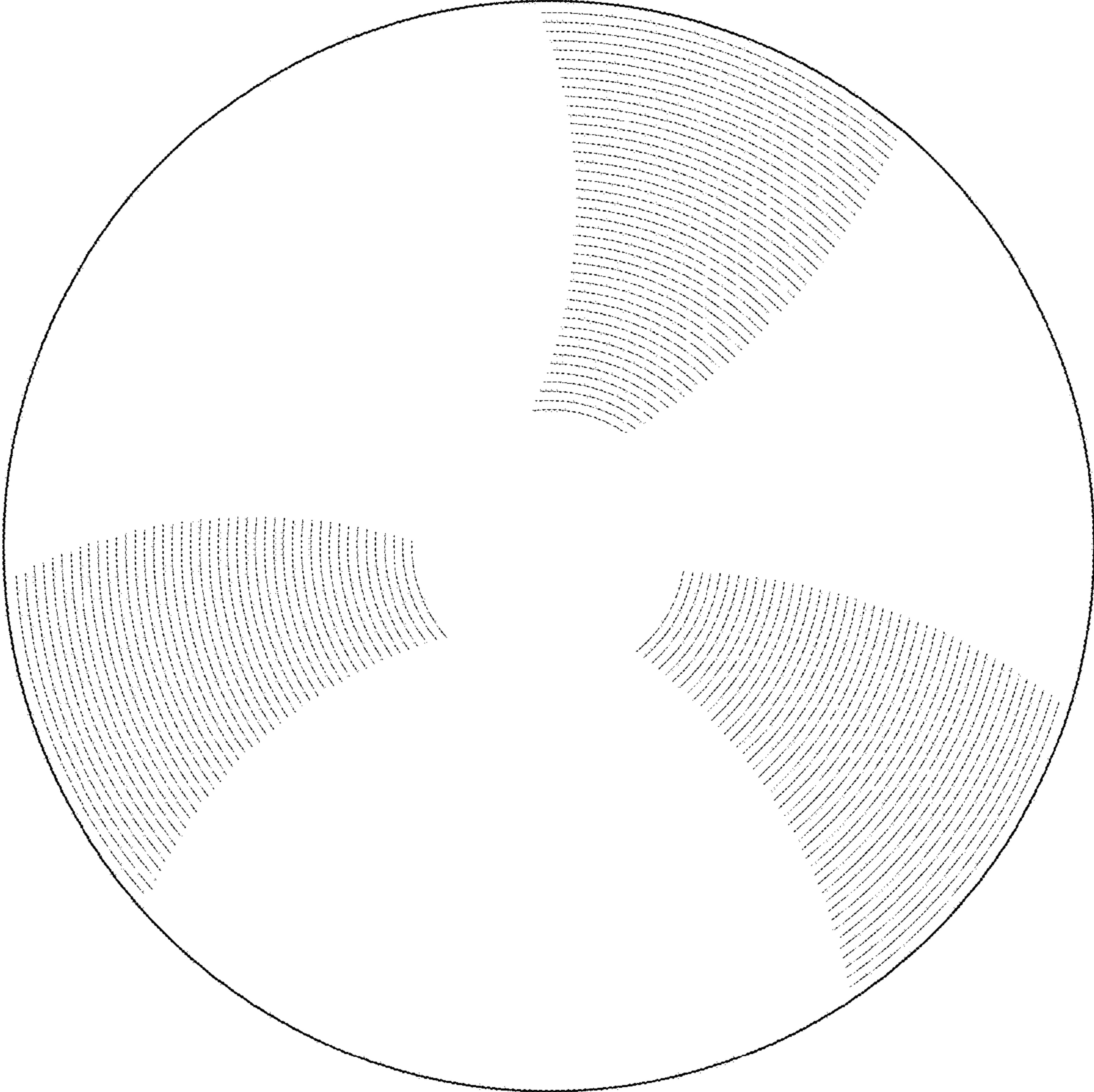


FIG. 6

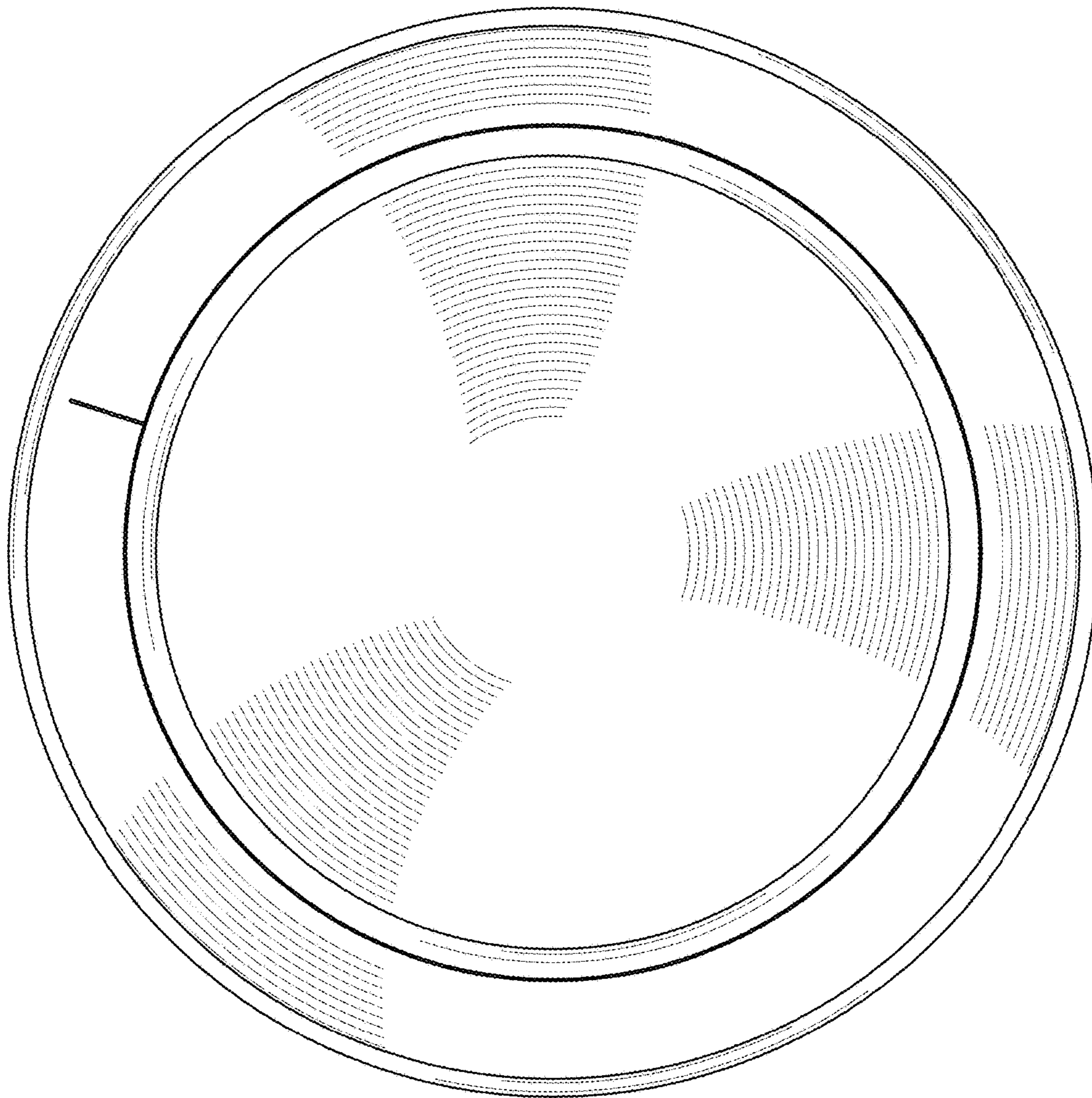


FIG. 7

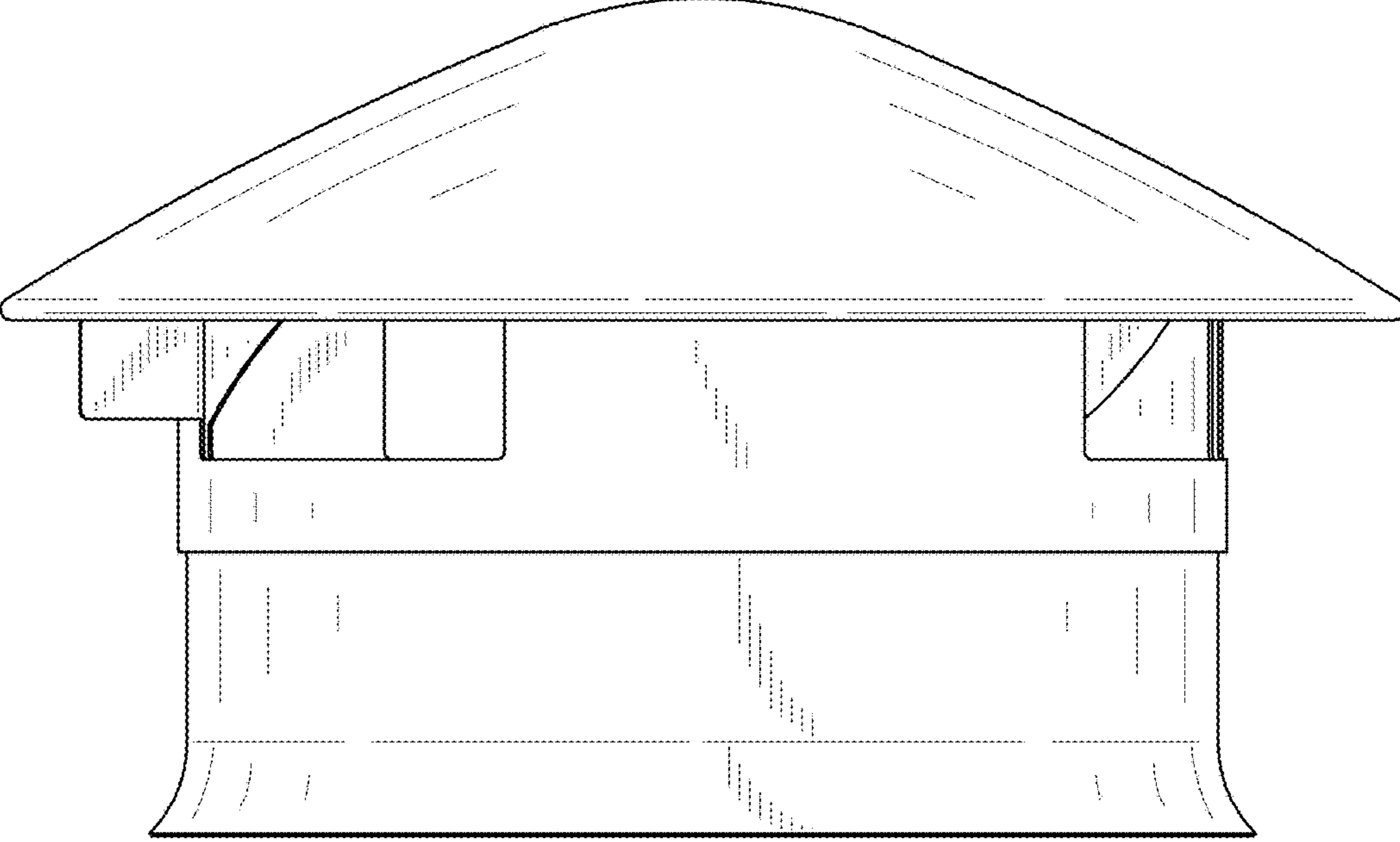


FIG. 8

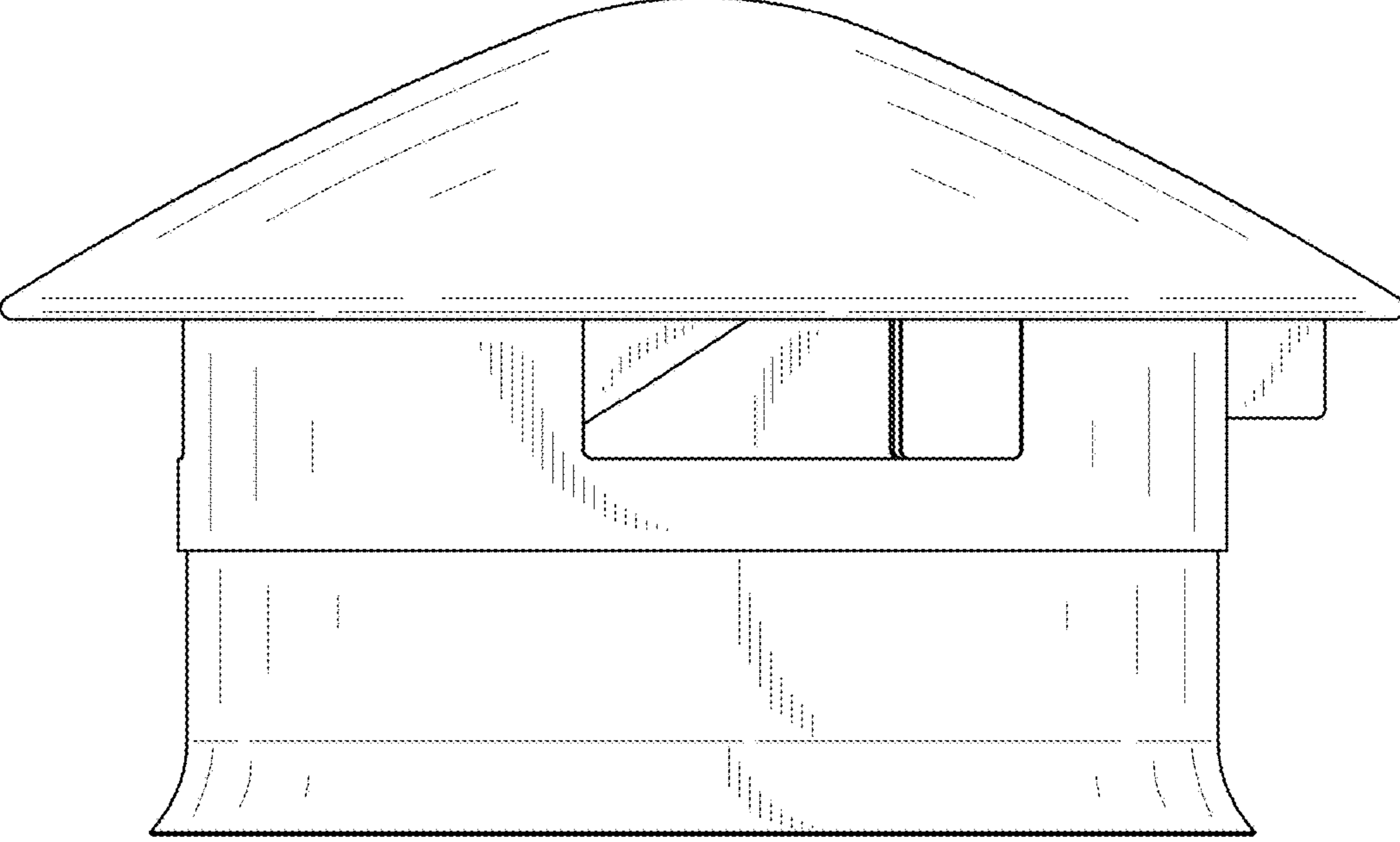


FIG. 9

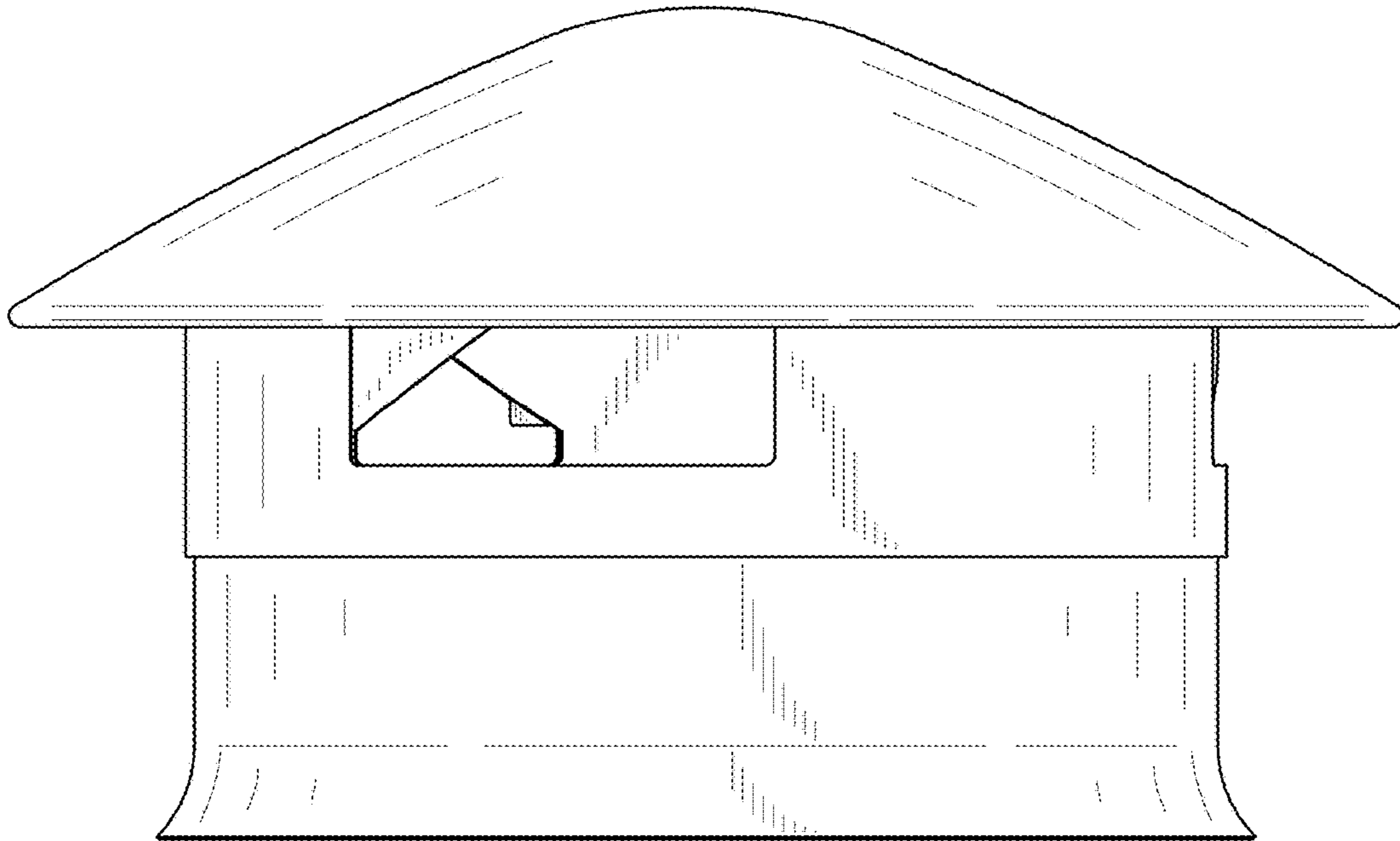


FIG. 10

