



US00D780301S

(12) **United States Design Patent**
Cartwright et al.

(10) **Patent No.:** **US D780,301 S**

(45) **Date of Patent:** **** Feb. 28, 2017**

(54) **HEATER**

(71) Applicant: **VORNADO AIR LLC**, Andover, KS
(US)

(72) Inventors: **Brian M. Cartwright**, Wichita, KS
(US); **Glen W. Ediger**, North Newton,
KS (US); **Jacob Hillard**, Wichita, KS
(US); **Timothy Holub**, Cheney, KS
(US); **Gary P. Israel**, Andover, KS
(US)

(73) Assignee: **VORNADO AIR LLC**, Andover, KS
(US)

(**) Term: **15 Years**

(21) Appl. No.: **29/544,457**

(22) Filed: **Nov. 3, 2015**

(51) **LOC (10) Cl.** **23-03**

(52) **U.S. Cl.**
USPC **D23/332**

(58) **Field of Classification Search**
USPC D23/323, 332, 314, 335-350, 378, 370,
D23/354, 351, 386, 333, 328, 353, 361,
D23/385, 417, 357, 381; 392/365, 367,
392/424, 383, 411, 360, 369, 373-376;
431/125; 126/110 B, 91 A, 500, 544, 547
See application file for complete search history.

(56) **References Cited**

U.S. PATENT DOCUMENTS

D384,734 S * 10/1997 Ellwood D23/335
D441,065 S * 4/2001 Ediger D23/328

D456,499 S * 4/2002 Ching D23/335
D462,428 S * 9/2002 Chura D23/335
6,570,139 B1 * 5/2003 Levy H05K 7/20209
219/483
6,987,250 B2 * 1/2006 Levy F24F 6/00
219/483
D597,640 S * 8/2009 Israel D23/335
D597,641 S * 8/2009 Israel D23/335
D636,858 S * 4/2011 Ediger D23/335
D654,578 S * 2/2012 Ediger D23/342

* cited by examiner

Primary Examiner — T. Chase Nelson

Assistant Examiner — Ania Aman

(74) *Attorney, Agent, or Firm* — David H. Milligan PC
LLO

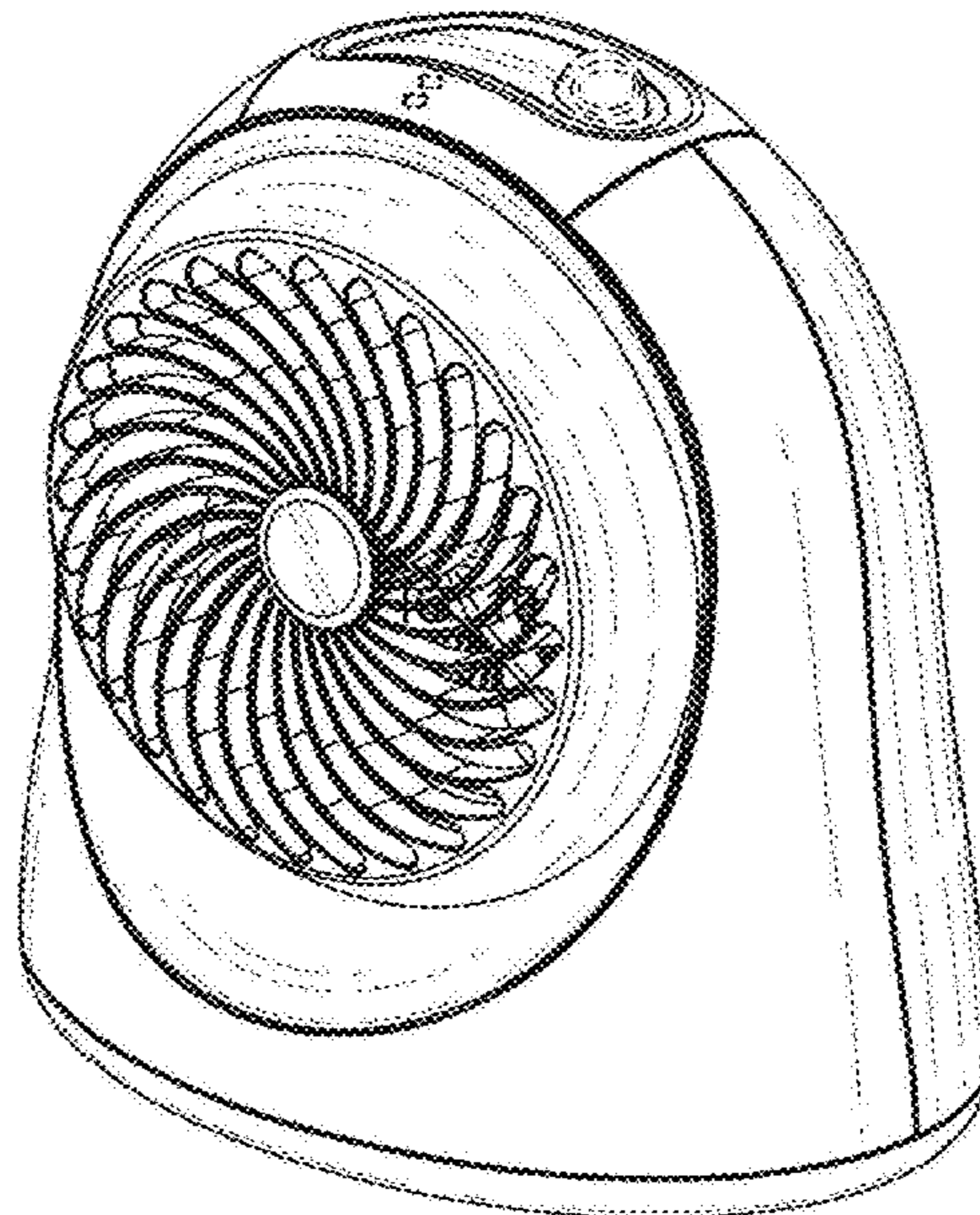
(57) **CLAIM**

The ornamental design for a heater, as shown and described.

DESCRIPTION

FIG. 1 is a first isometric view of a heater;
FIG. 2 is a second isometric view of the heater of FIG. 1;
FIG. 3 is a third isometric view of the heater of FIG. 1;
FIG. 4 is a fourth isometric view of the heater of FIG. 1;
FIG. 5 is a first end view of the heater of FIG. 1;
FIG. 6 is a second end view of the heater of FIG. 1;
FIG. 7 is a first side elevation view of the heater of FIG. 1;
FIG. 8 is a second side elevation view of the heater of FIG.
1; and,
FIG. 9 is a top plan view of the heater of FIG. 1.
The broken lines shown in the drawings are for the purpose
of illustrating portions of the article that form no part of the
claimed design.

1 Claim, 9 Drawing Sheets



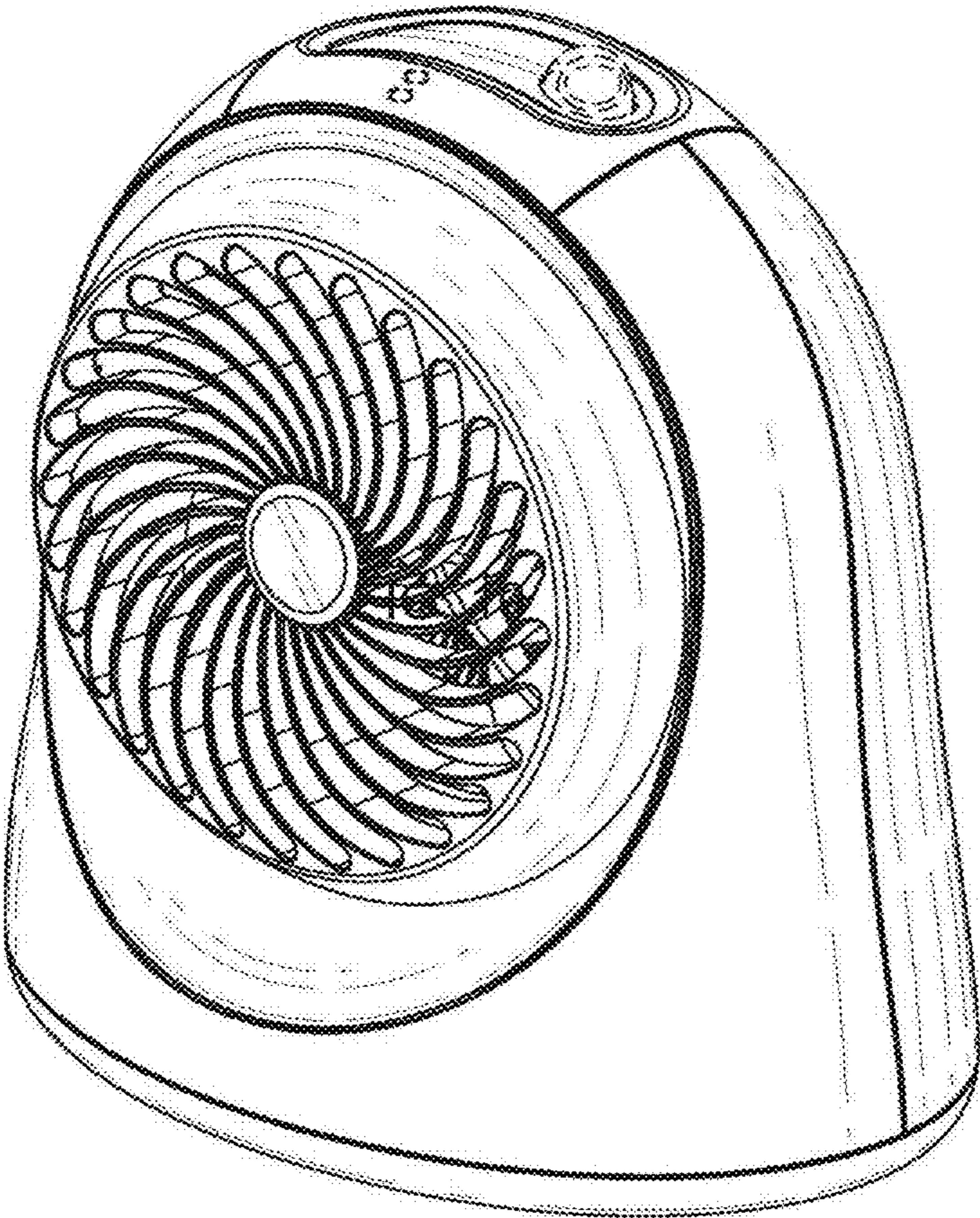


FIG. 1

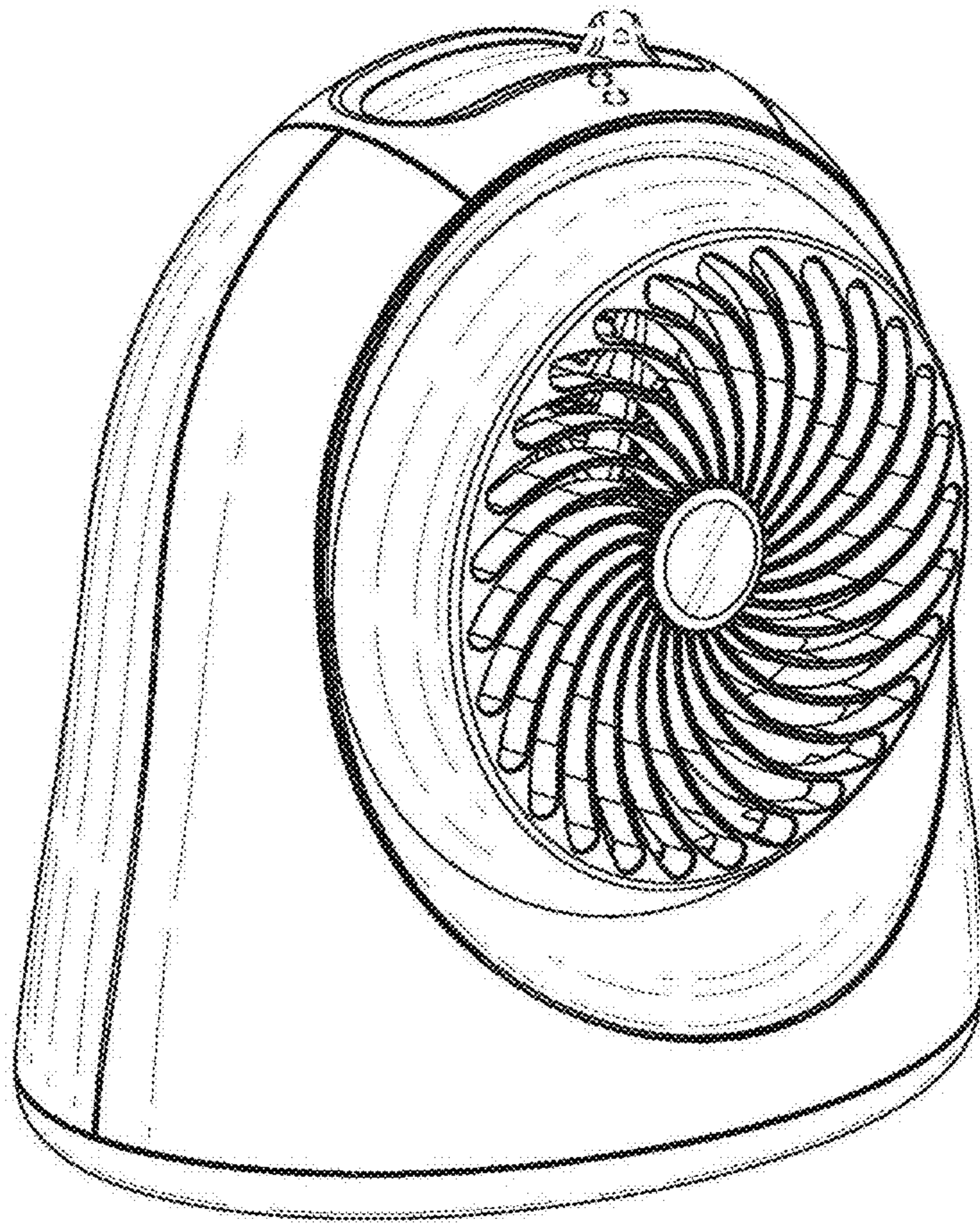


FIG. 2

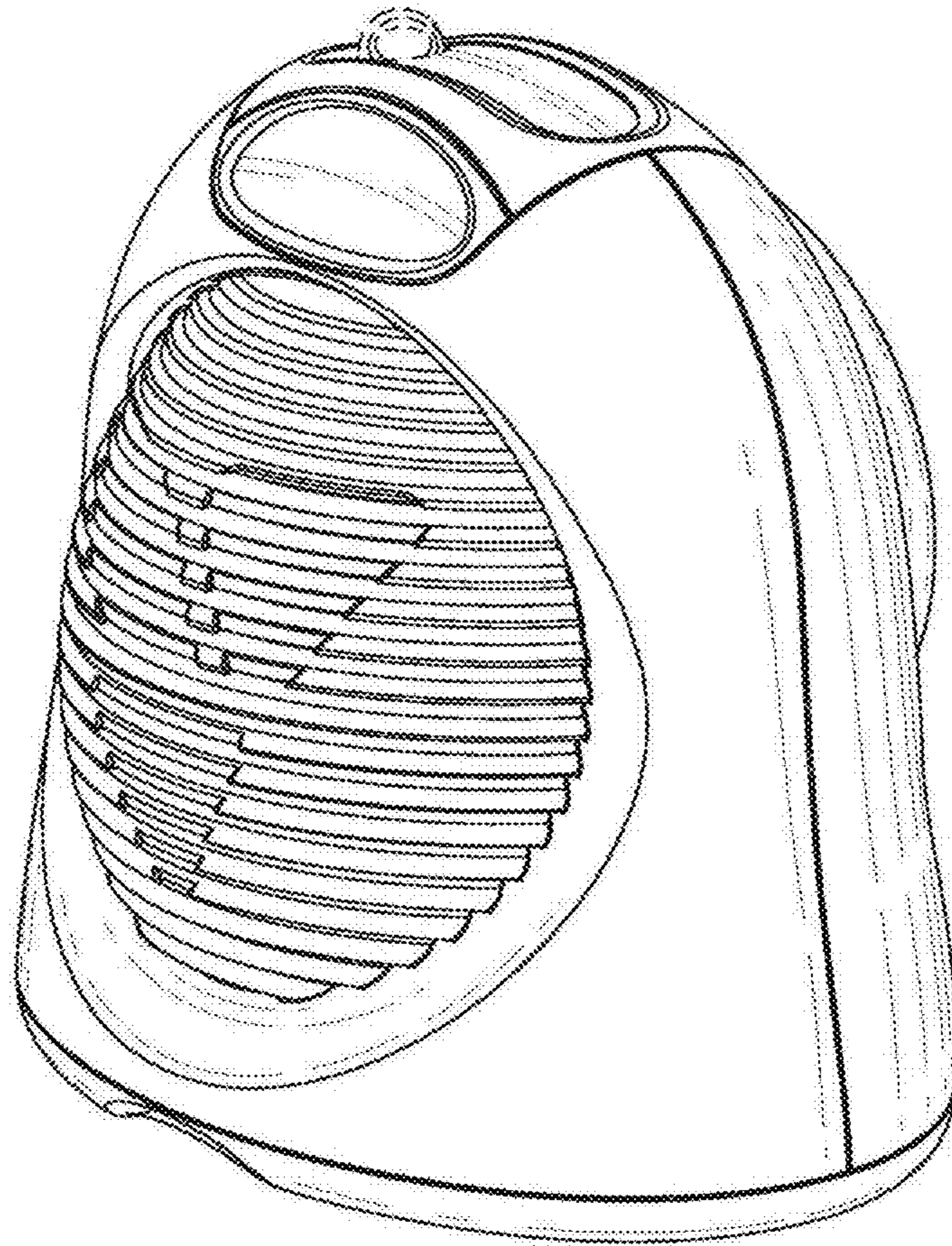


FIG. 3

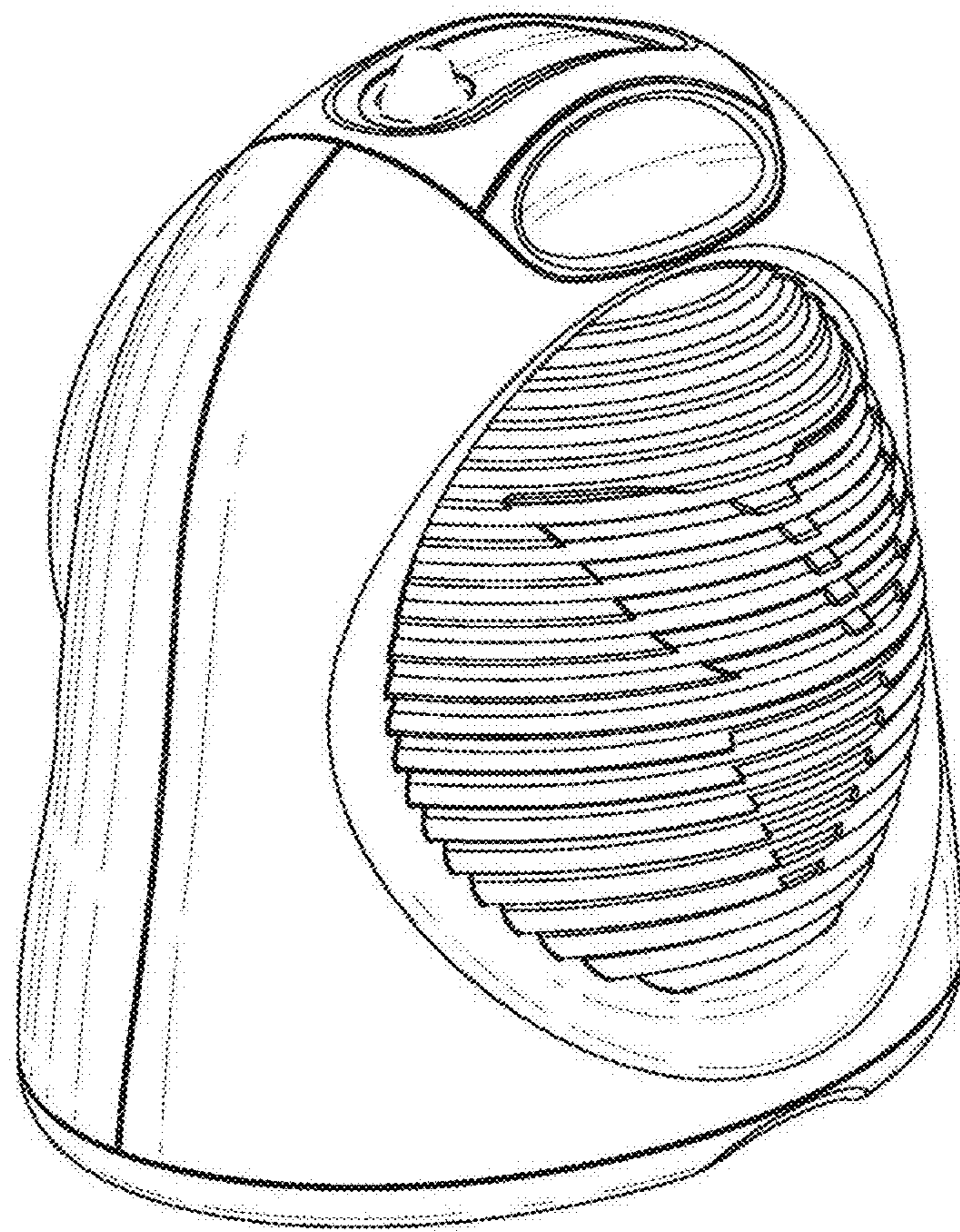


FIG. 4

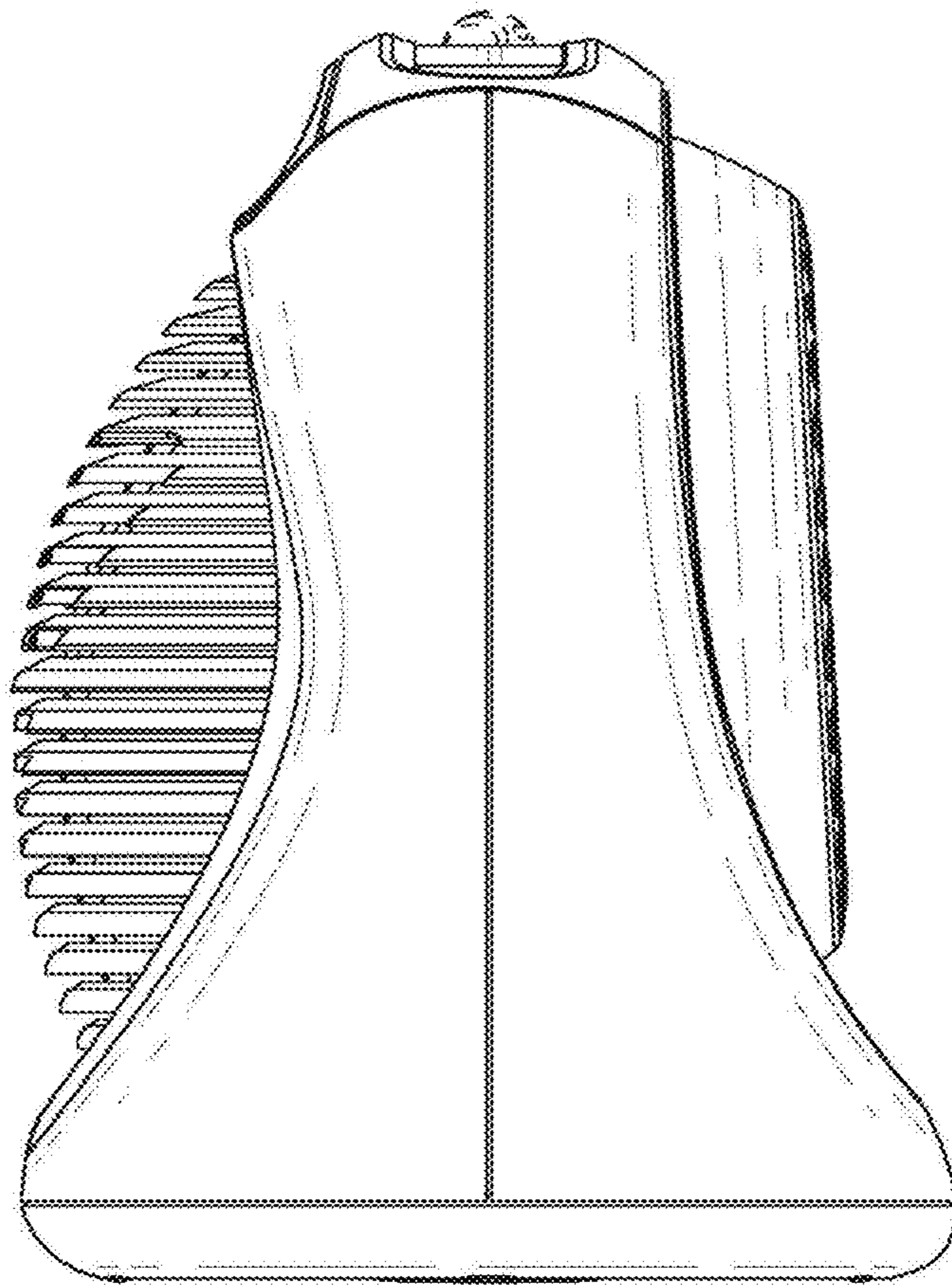


FIG. 5

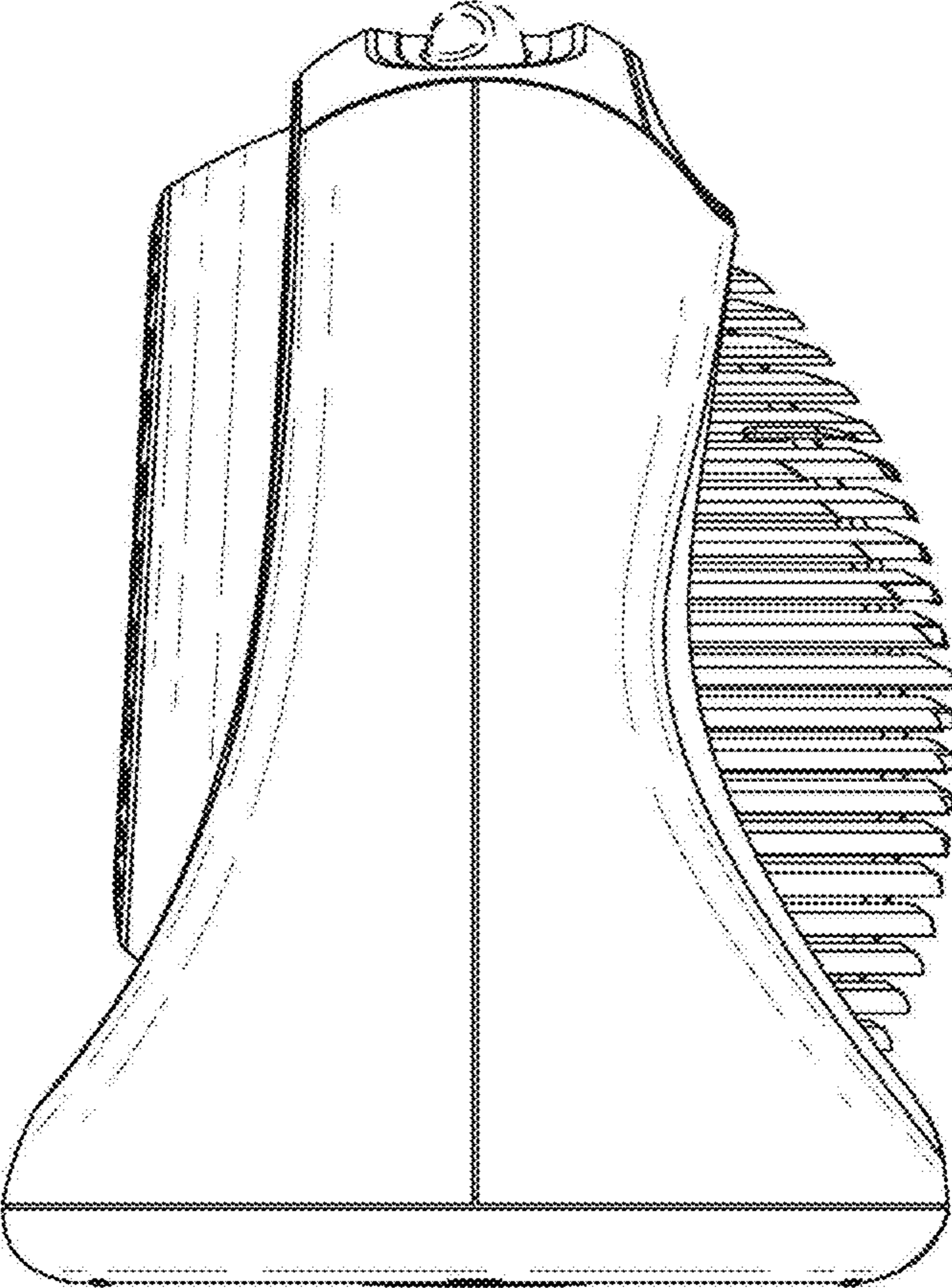


FIG. 6

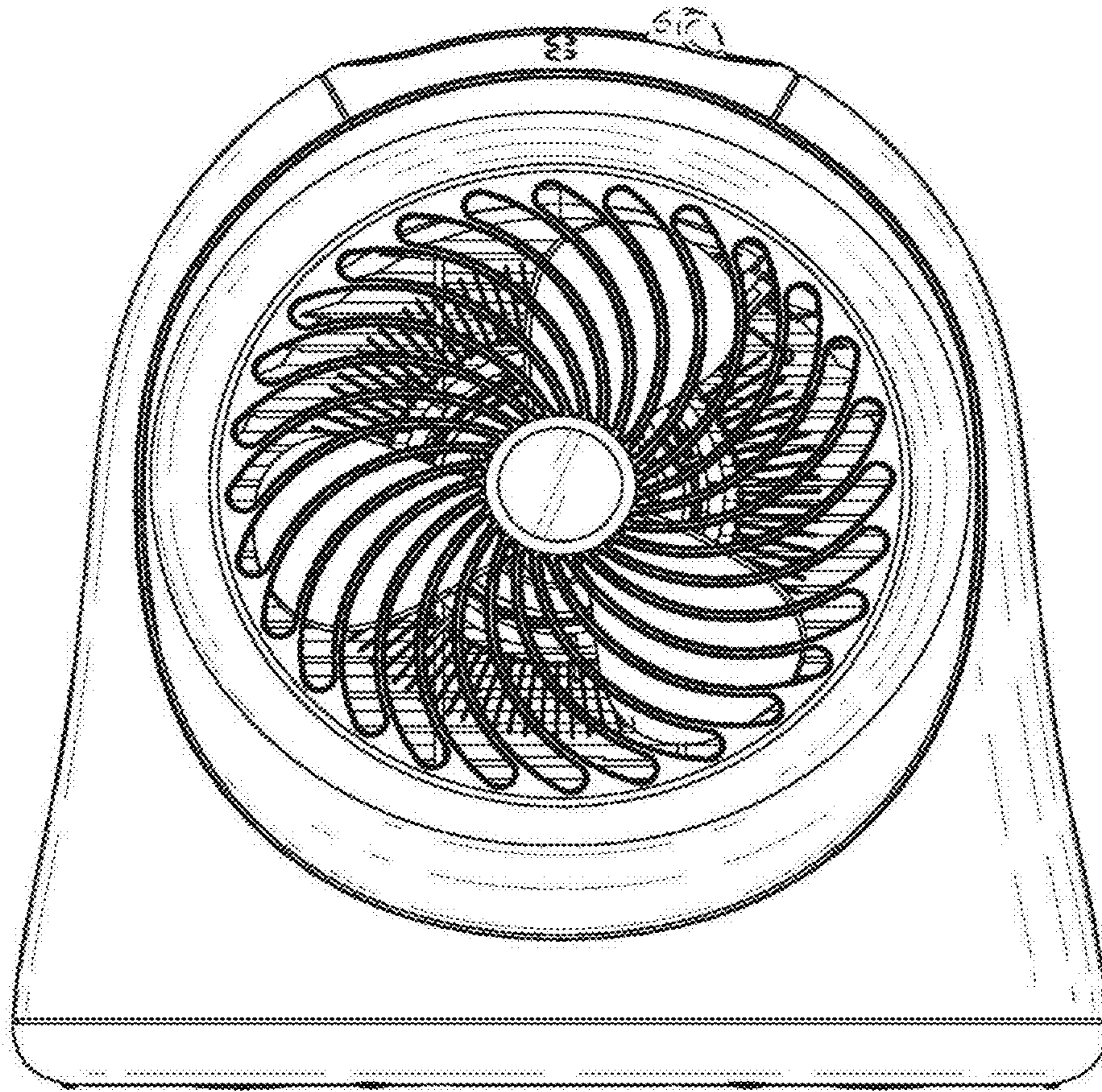


FIG. 7

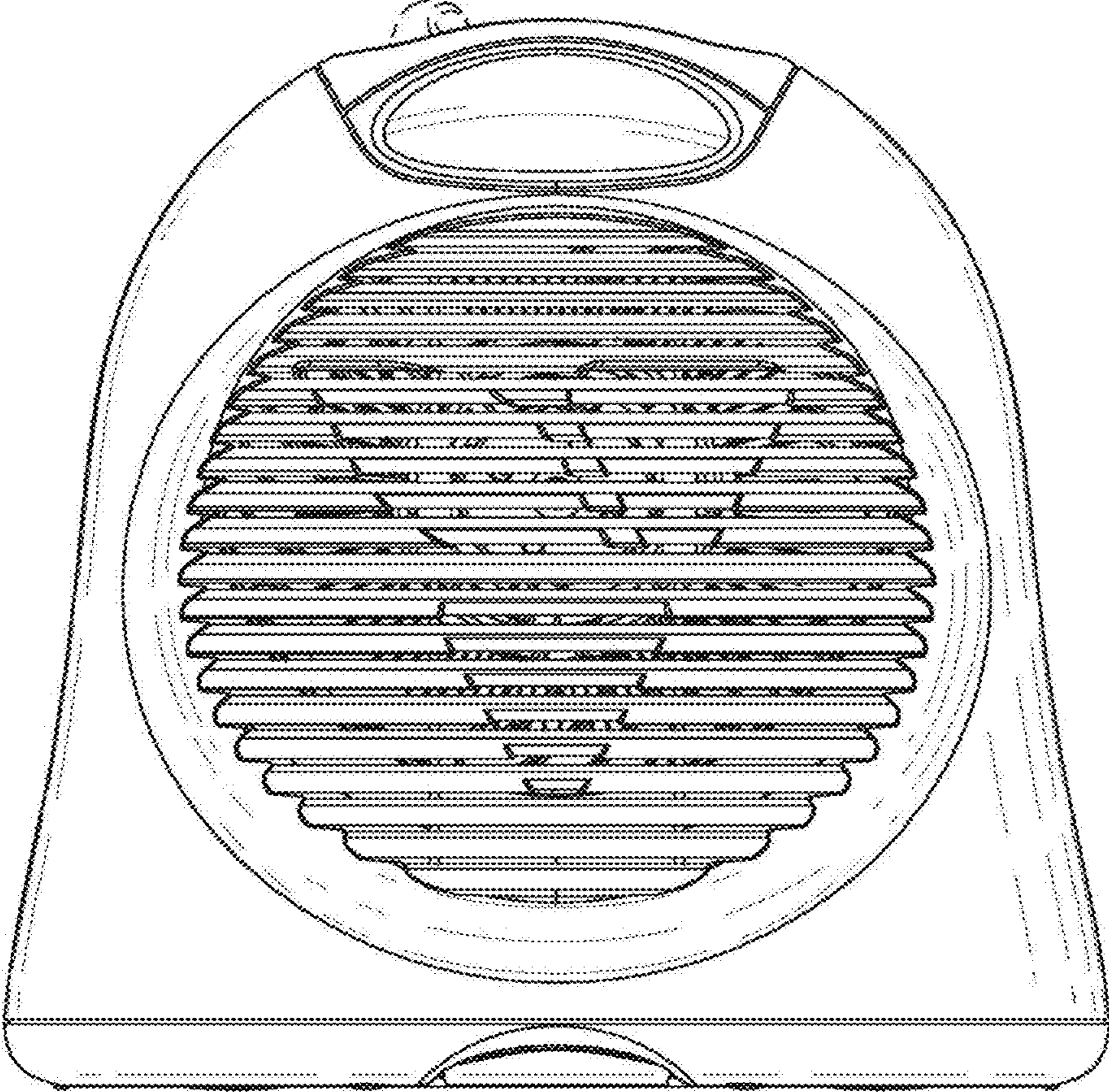


FIG. 8

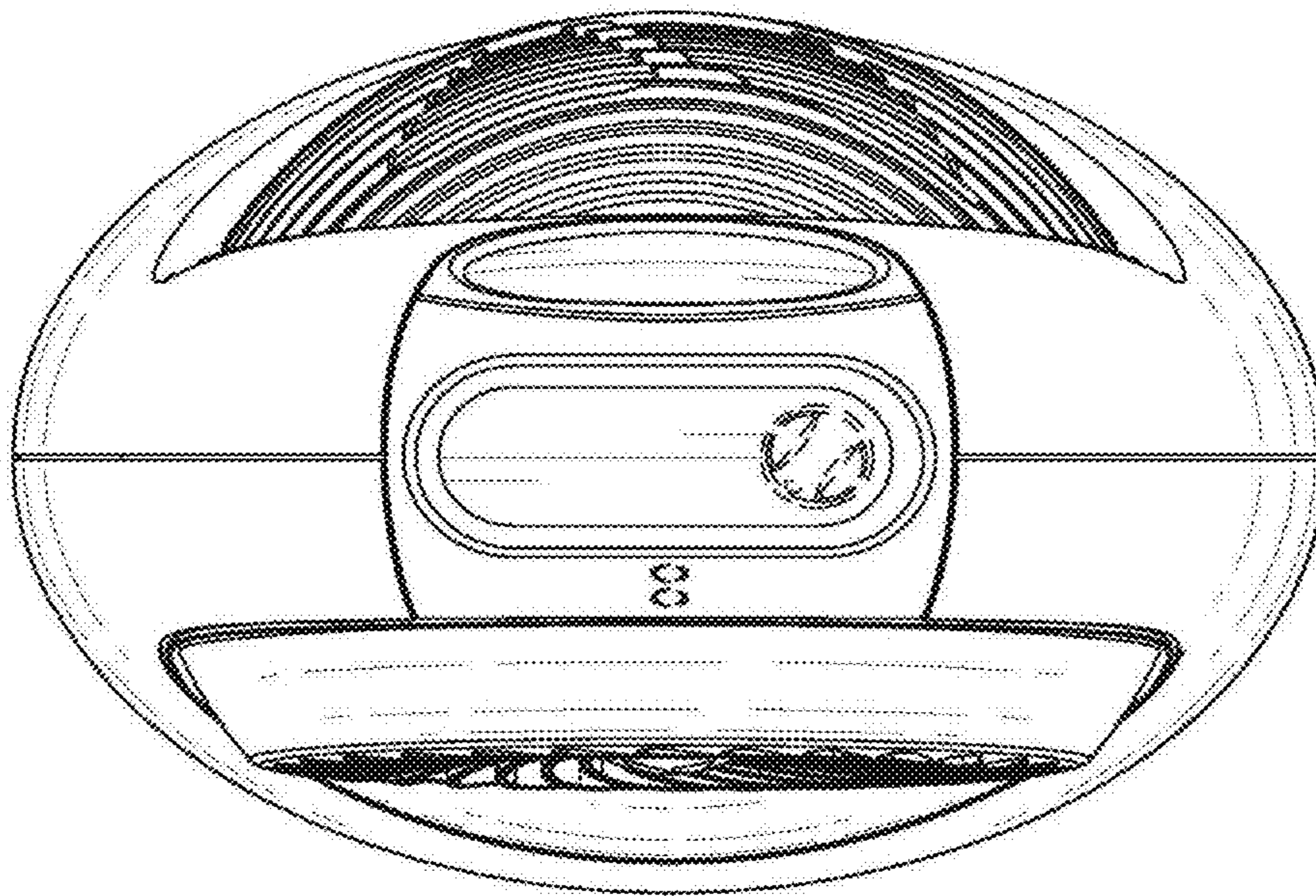


FIG. 9