



US00D780300S

(12) **United States Design Patent**
Flowers et al.

(10) **Patent No.:** **US D780,300 S**
(45) **Date of Patent:** **** Feb. 28, 2017**

(54) **CERAMICS**

Mar. 9, 2015 (EM) 002649046-0022
(Continued)

(71) Applicant: **Grohe AG**, Hemer (DE)

(51) **LOC (10) CI.** **23-02**

(72) Inventors: **Paul Flowers**, London (GB);
Alessandra De Simone, Duesseldorf (DE);
Duarte Salvador, Duesseldorf (DE);
Jochen Allard, Menden (DE);
Patrick De Arins Speck, Curitiba-PR (BR);
Hans Lobermeier, Menden (DE);
Antoine Besseyre Des Horts, Meerbusch (DE)

(52) **U.S. CI.**

USPC **D23/293.1**

(58) **Field of Classification Search**

USPC D23/284, 286, 287, 288, 292, 293.1

(Continued)

(56) **References Cited**

U.S. PATENT DOCUMENTS

D325,247 S * 4/1992 Stainton D23/293.1

D455,200 S * 4/2002 Marshall D23/284

(Continued)

Primary Examiner — Robert Delehanty

(74) *Attorney, Agent, or Firm* — Muncy, Geissler, Olds & Lowe, P.C.

(57) **CLAIM**

The ornamental design for a ceramics, as shown and described.

DESCRIPTION

FIG. 1 is a front perspective view of a ceramics according to the present invention.

FIG. 2 is a left side view of the ceramics of FIG. 1.

FIG. 3 is a right side view of the ceramics of FIG. 1.

FIG. 4 is a top view of the ceramics of FIG. 1.

FIG. 5 is a bottom view of the ceramics of FIG. 1.

FIG. 6 is a front view of the ceramics of FIG. 1; and,

FIG. 7 is a rear view of the ceramics of FIG. 1.

The dashed lines illustrate environment that does not form a part of the present invention, and no claim is made to the material illustrated with dashed lines.

1 Claim, 7 Drawing Sheets

(73) Assignee: **Grohe AG**, Hemer (DE)

(**) Term: **15 Years**

(21) Appl. No.: **29/567,807**

(22) Filed: **Jun. 13, 2016**

Related U.S. Application Data

(63) Continuation of application No. 29/538,912, filed on Sep. 9, 2015, now Pat. No. Des. 761,400.

(30) **Foreign Application Priority Data**

Mar. 9, 2015 (EM) 002649046-0001

Mar. 9, 2015 (EM) 002649046-0003

Mar. 9, 2015 (EM) 002649046-0004

Mar. 9, 2015 (EM) 002649046-0007

Mar. 9, 2015 (EM) 002649046-0010

Mar. 9, 2015 (EM) 002649046-0011

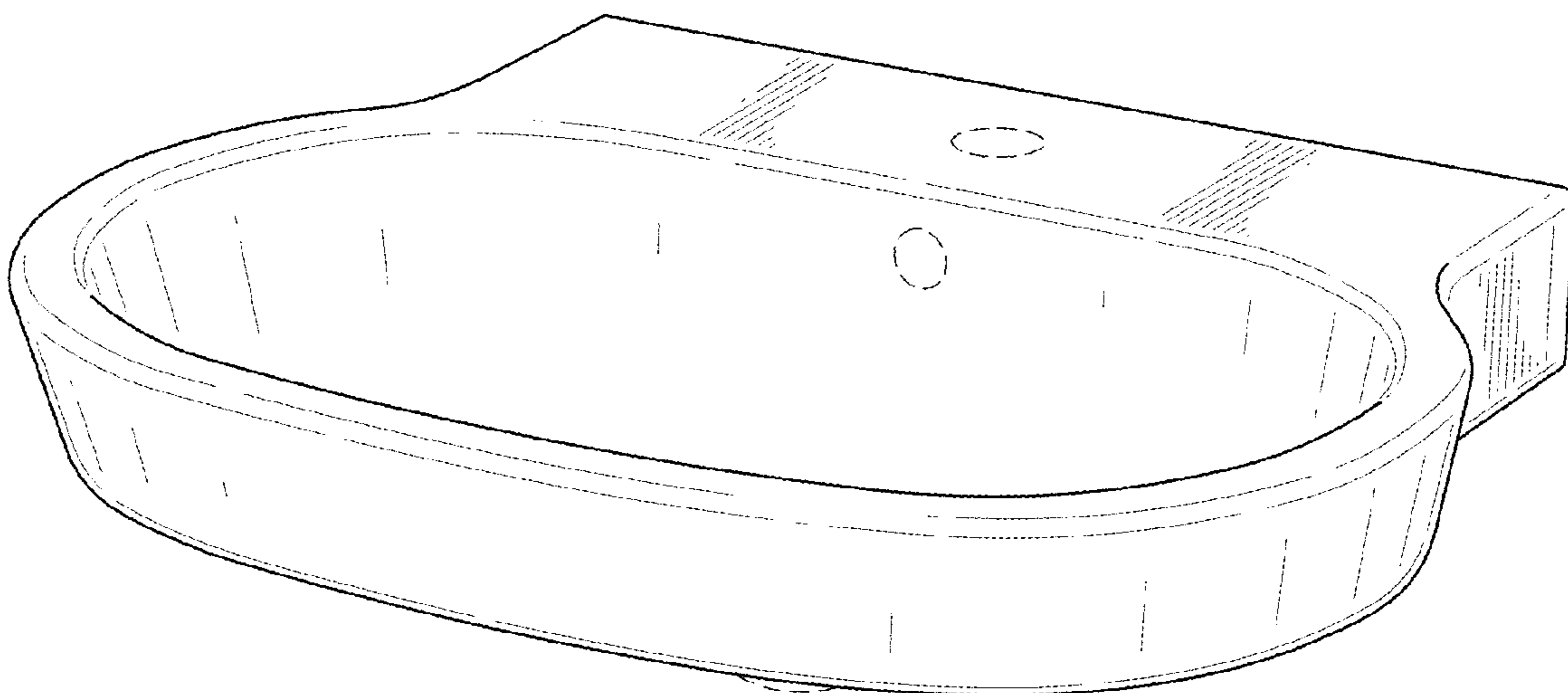
Mar. 9, 2015 (EM) 002649046-0012

Mar. 9, 2015 (EM) 002649046-0013

Mar. 9, 2015 (EM) 002649046-0015

Mar. 9, 2015 (EM) 002649046-0016

Mar. 9, 2015 (EM) 002649046-0021



(30) **Foreign Application Priority Data**

Mar. 9, 2015 (EM) 002649046-0023
 Mar. 9, 2015 (EM) 002649046-0027
 Mar. 9, 2015 (EM) 002649046-0029
 Mar. 9, 2015 (EM) 002649046-0030
 Mar. 9, 2015 (EM) 002649046-0031
 Mar. 9, 2015 (EM) 002649046-0032
 Mar. 9, 2015 (EM) 002649046-0036
 Mar. 9, 2015 (EM) 002649046-0038
 Mar. 9, 2015 (EM) 002649046-0039
 Mar. 9, 2015 (EM) 002649046-0040
 Mar. 9, 2015 (EM) 002649046-0041
 Mar. 9, 2015 (EM) 002649046-0042
 Mar. 9, 2015 (EM) 002649046-0043
 Mar. 9, 2015 (EM) 002649046-0045
 Mar. 9, 2015 (EM) 002649046-0046
 Mar. 9, 2015 (EM) 002649046-0047
 Mar. 9, 2015 (EM) 002649046-0049
 Mar. 9, 2015 (EM) 002649046-0050
 Mar. 9, 2015 (EM) 002649046-0054
 Mar. 9, 2015 (EM) 002649046-0055
 Mar. 9, 2015 (EM) 002649046-0056
 Mar. 9, 2015 (EM) 002649046-0057
 Mar. 9, 2015 (EM) 002649046-0058
 Mar. 9, 2015 (EM) 002649046-0062

Mar. 9, 2015 (EM) 002649046-0063
 Mar. 9, 2015 (EM) 002649046-0064
 Mar. 9, 2015 (EM) 002649046-0065
 Mar. 9, 2015 (EM) 002649046-0066
 Mar. 9, 2015 (EM) 002649046-0069
 Mar. 9, 2015 (EM) 002649046-0070
 Mar. 9, 2015 (EM) 002649046-0071
 Mar. 9, 2015 (EM) 002649046-0072
 Mar. 9, 2015 (EM) 002649046-0073
 Mar. 9, 2015 (EM) 002649046-0075
 Mar. 9, 2015 (EM) 002649046-0077
 Mar. 9, 2015 (EM) 002649046-0078

(58) **Field of Classification Search**

CPC E03C 1/14; E03C 1/16; E03C 1/18;
 A47K 1/02; A47L 17/02; A47L 19/02
 See application file for complete search history.

(56) **References Cited**

U.S. PATENT DOCUMENTS

D462,114 S * 8/2002 Soulier D23/293.1
 D498,522 S * 11/2004 Lanius D23/293.1
 D538,408 S * 3/2007 Soulier D23/293.1
 D602,134 S * 10/2009 Schonherr D23/284
 D697,595 S * 1/2014 Spangler D23/284

* cited by examiner

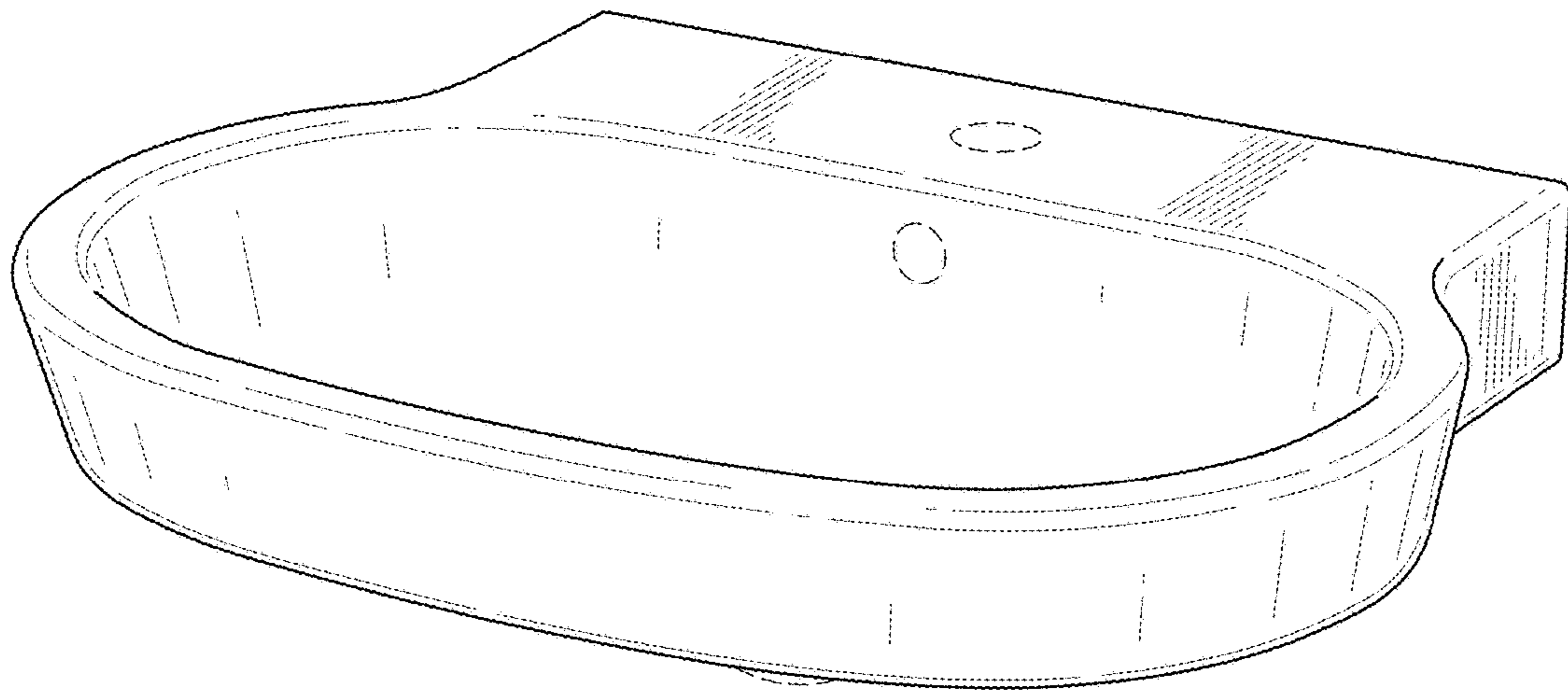


FIG.1

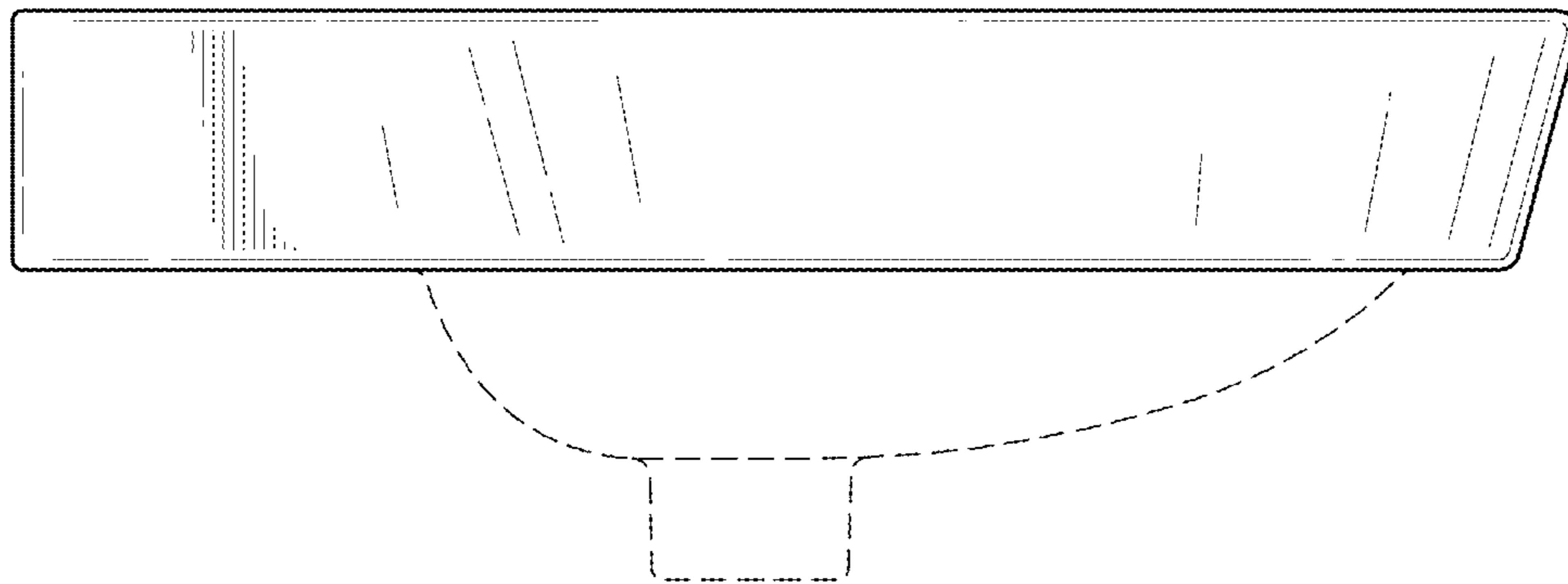


FIG.2

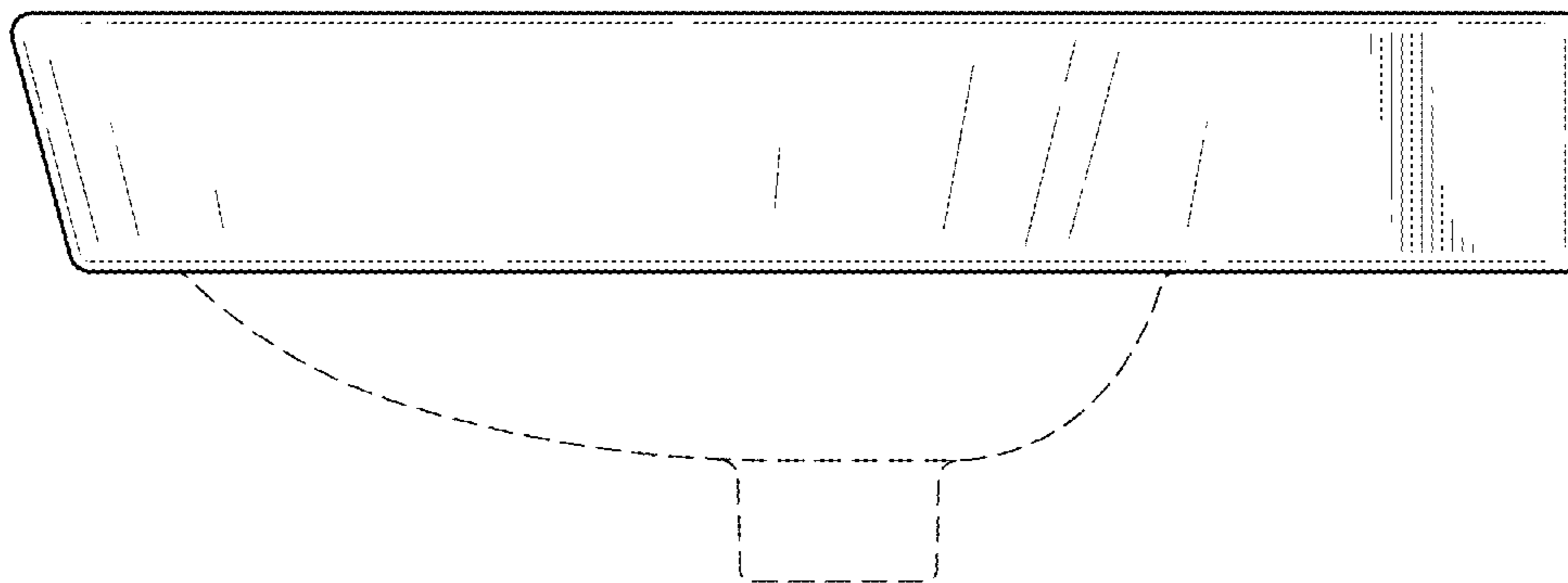


FIG.3

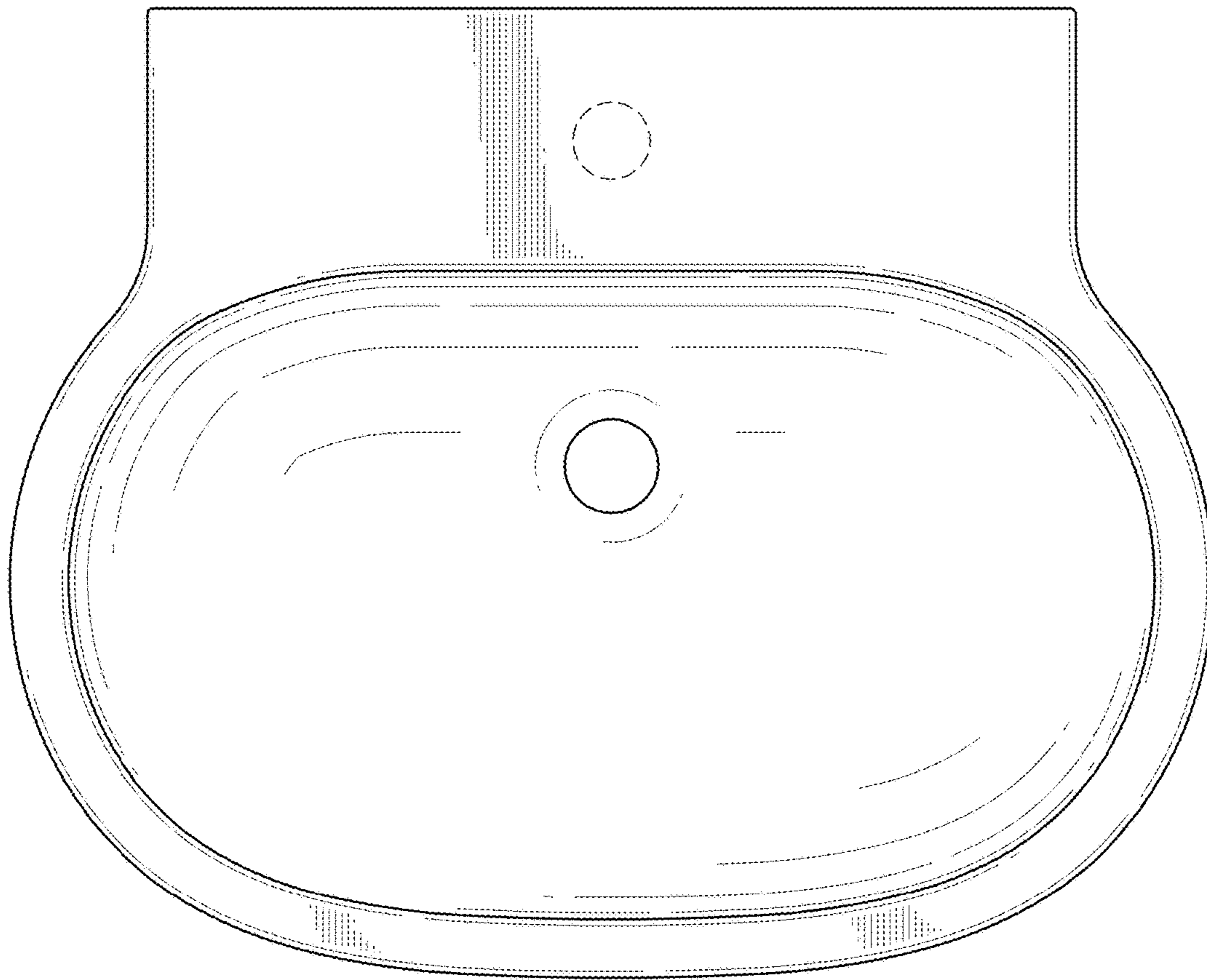


FIG.4

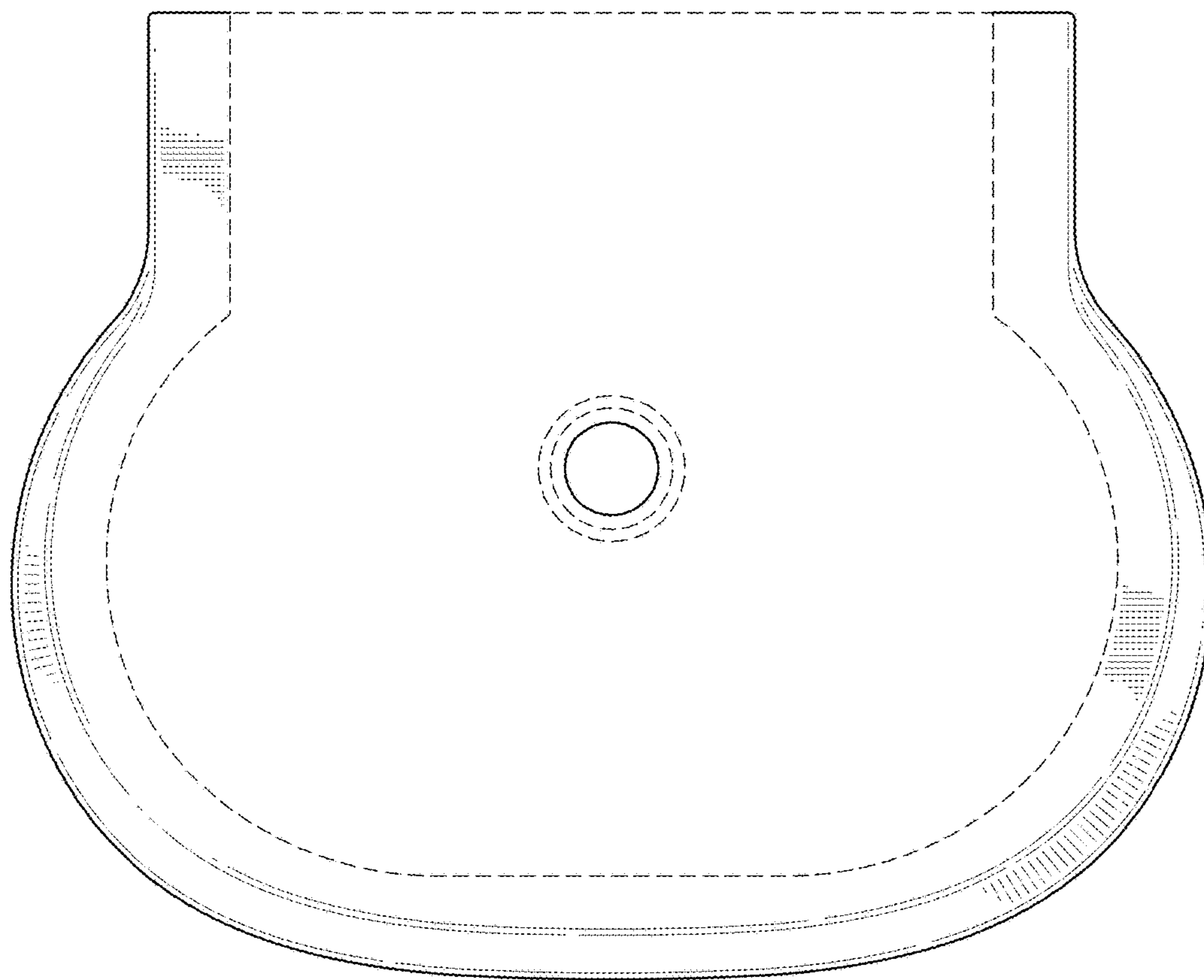


FIG.5

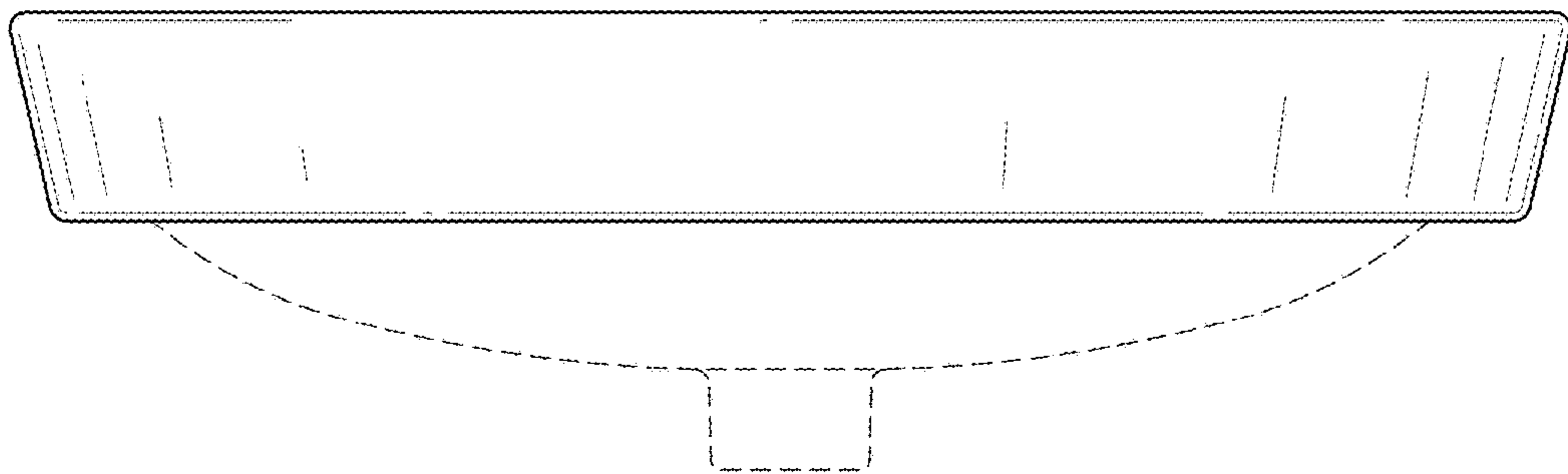


FIG.6

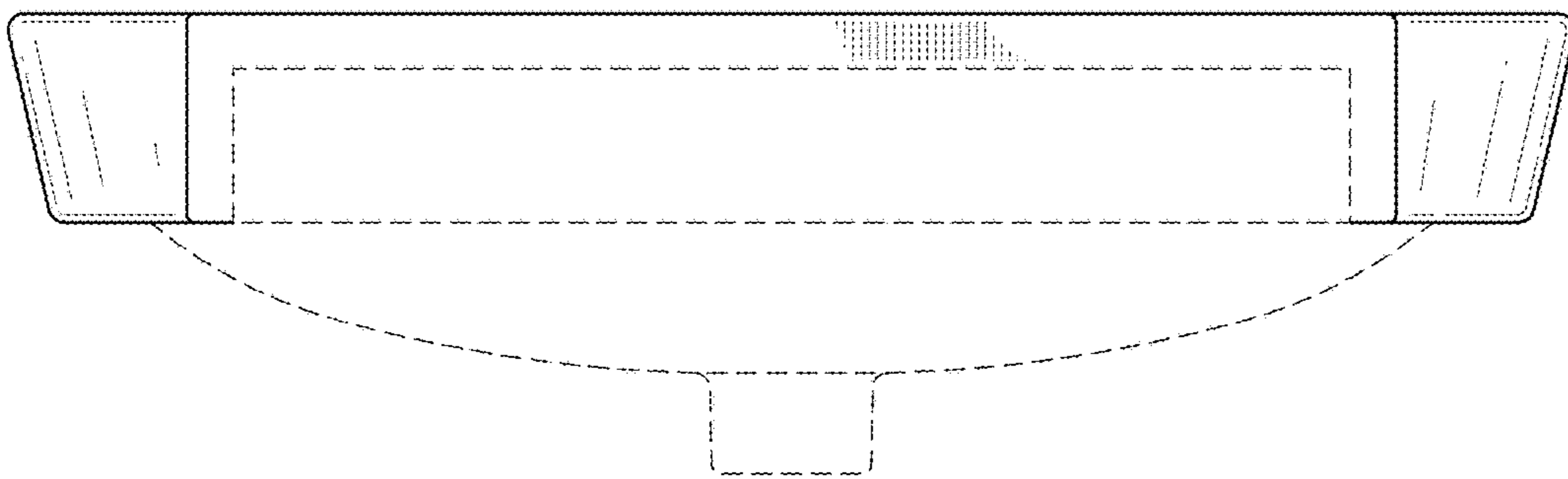


FIG.7