



US00D780298S

(12) **United States Design Patent** (10) **Patent No.:** **US D780,298 S**
Stauss (45) **Date of Patent:** **** Feb. 28, 2017**

(54) **DISHWASHING TABLE** 3,511,192 A * 5/1970 Noren A47B 33/00
108/64
(71) Applicant: **Naber Holding GmbH & Co. KG,** 3,520,726 A * 7/1970 Gay A47B 33/00
Nordhorn (DE) 134/115 R
(72) Inventor: **Kilian Stauss, München (DE)** D220,324 S * 3/1971 Ott et al. D24/234
4,321,857 A * 3/1982 Best A47J 37/06
126/39 C
(73) Assignee: **Naber Holding GmbH & Co. KG** D300,058 S * 2/1989 Emanuele D23/271
(DE) 7,721,364 B2 * 5/2010 Pearson E03C 1/20
312/228
D728,762 S * 5/2015 Mayer D23/286

(**) Term: **15 Years**

* cited by examiner

(21) Appl. No.: **29/533,240**

Primary Examiner — Robert Delehanty

(22) Filed: **Jul. 15, 2015**

(74) *Attorney, Agent, or Firm* — Polsinelli PC

(51) **LOC (10) Cl.** **23-02**

(52) **U.S. Cl.**

USPC **D23/271**

(58) **Field of Classification Search**

USPC D23/271–274, 285–286, 293.1, 308;
D6/644, 655, 655.1, 656, 671, 707,
D6/709.22, 519; D24/234

CPC A47B 33/00

See application file for complete search history.

(57) **CLAIM**

The ornamental design for a dishwashing table, as shown and described.

(56) **References Cited**

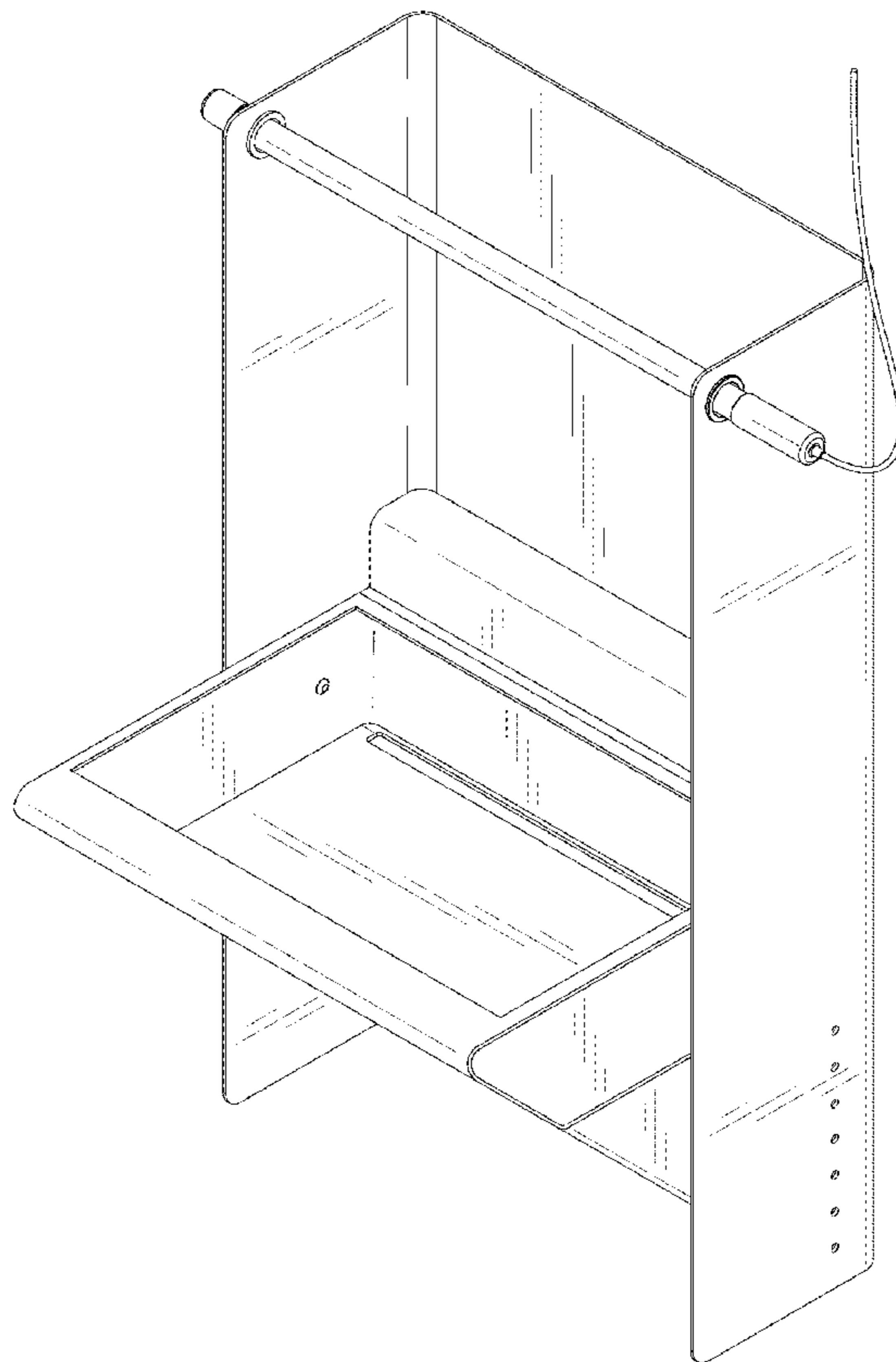
DESCRIPTION

U.S. PATENT DOCUMENTS

FIG. 1 is a perspective view of the dishwashing table;
FIG. 2 is a front view of the dishwashing table; and,
FIG. 3 is a side view of the dishwashing table.

1,436,546 A * 11/1922 Stephens A47B 33/00
108/26
D89,931 S * 5/1933 Tidwell D23/286

1 Claim, 3 Drawing Sheets



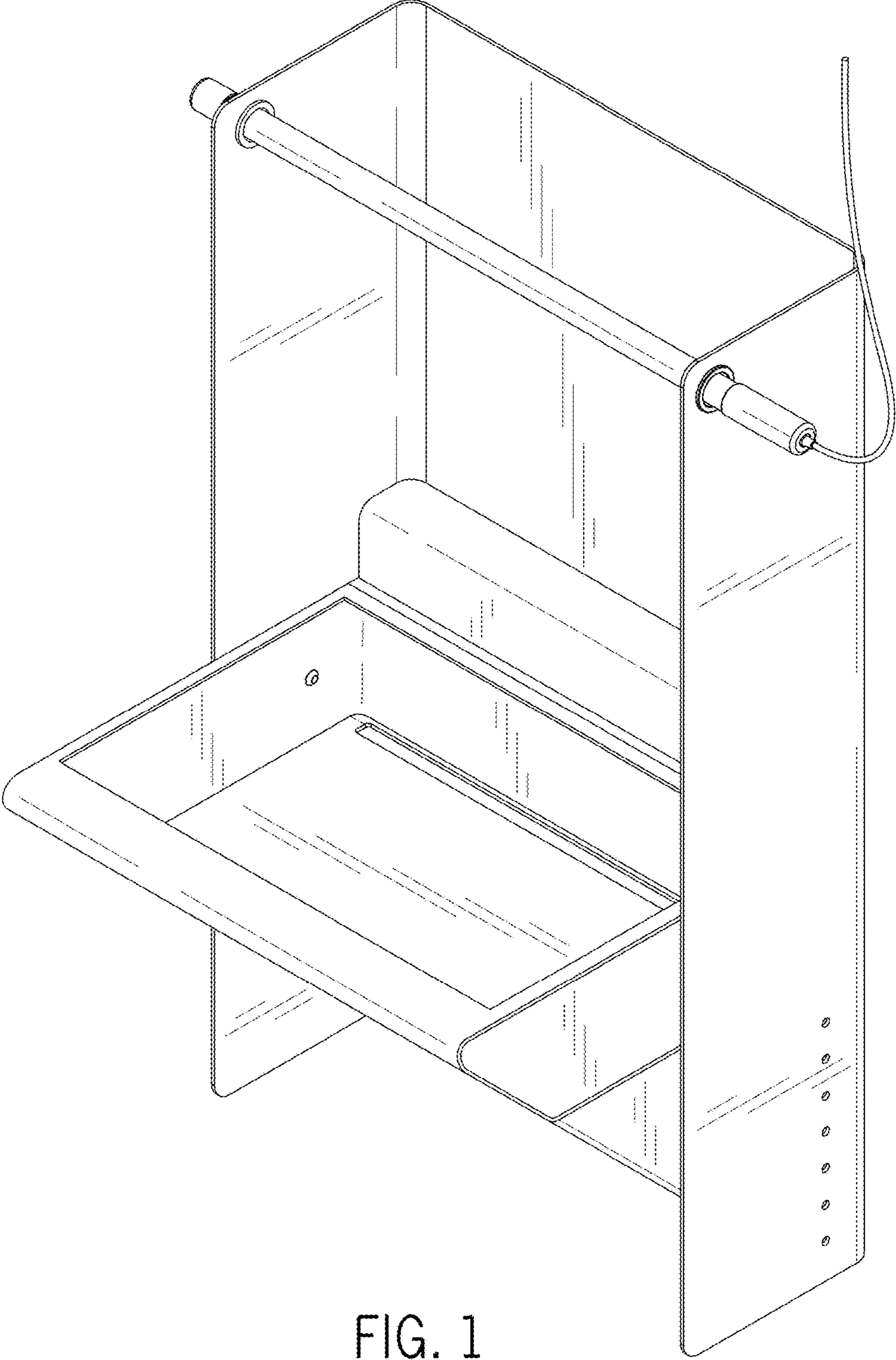


FIG. 1

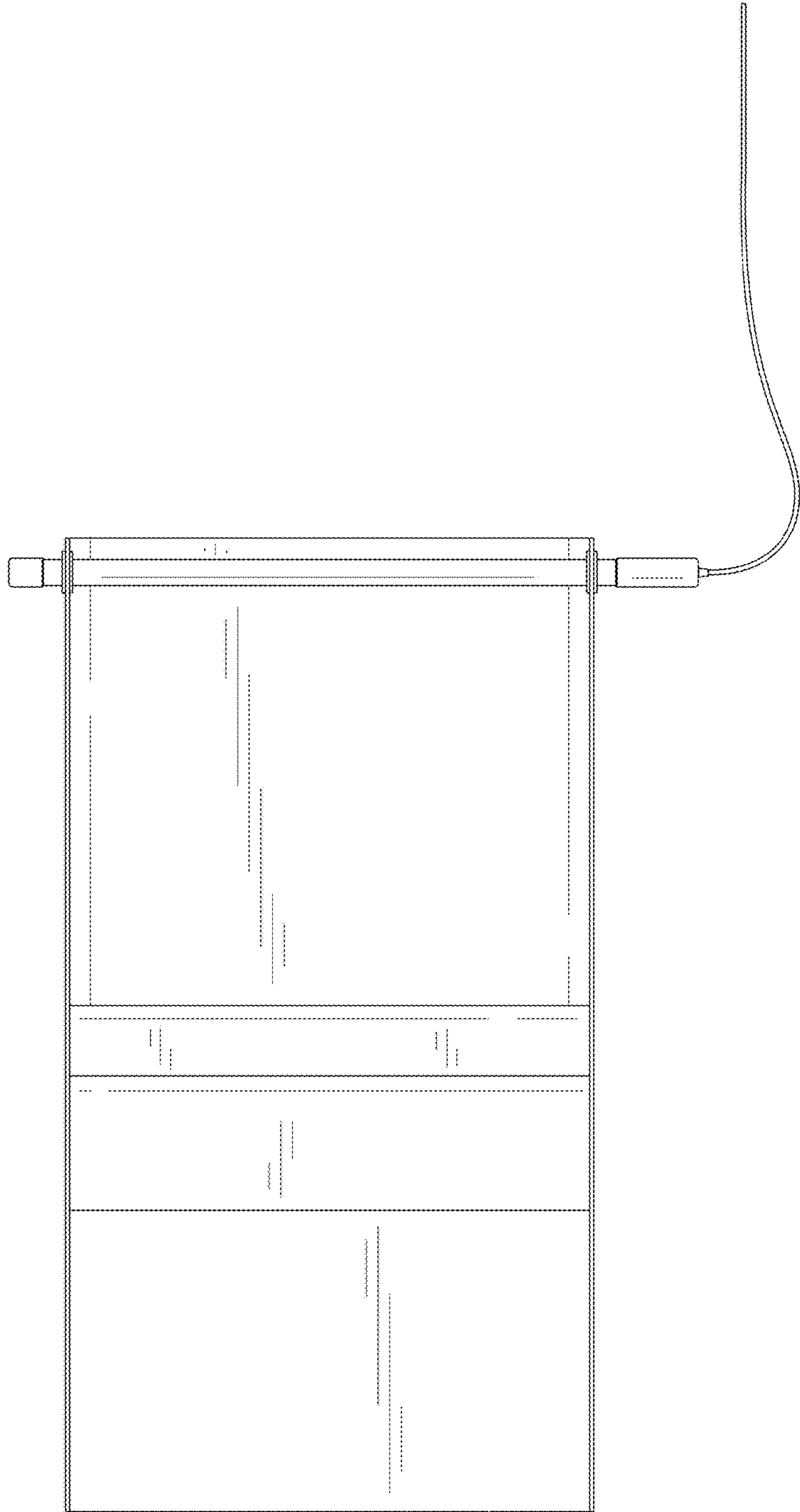


FIG. 2

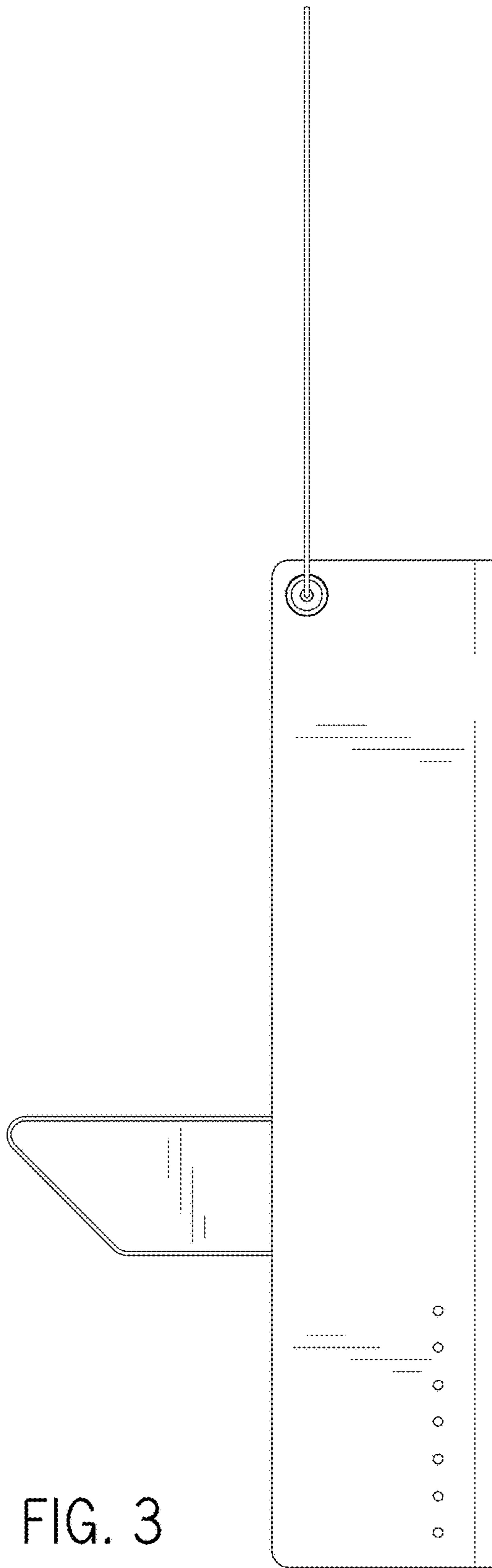


FIG. 3