



US00D780297S

(12) **United States Design Patent**
Ray

(10) **Patent No.:** **US D780,297 S**

(45) **Date of Patent:** **** Feb. 28, 2017**

(54) **PLUMBING FITTING**

(71) Applicant: **Louis Ray**, Oakland, CA (US)

(72) Inventor: **Louis Ray**, Oakland, CA (US)

(**) Term: **15 Years**

(21) Appl. No.: **29/549,845**

(22) Filed: **Dec. 28, 2015**

(51) **LOC (10) Cl.** **23-01**

(52) **U.S. Cl.**
USPC **D23/262**

(58) **Field of Classification Search**
USPC D23/233-325, 213; D8/382, 387, 399;
285/107, 148.19, 148.22, 58, 92, 291.1,
285/332-333, 336, 357, 386; 137/315.4,
137/231, 233, 798, 801; D15/143;
D24/110.6, 129; 251/148
CPC F16L 15/00; F16L 15/04; F16L 15/008;
F16L 25/14; F16L 13/161; F16L 17/025;
F16L 17/035; F16L 17/04; F16L 21/005;
E03C 1/26; E03C 1/28; E03C
1/232; E03C 1/262; E03C 1/264; E03C
1/284; E03F 5/04
See application file for complete search history.

(56) **References Cited**

U.S. PATENT DOCUMENTS

3,471,179 A * 10/1969 Sixt F16L 21/005
138/89
D397,413 S * 8/1998 Sapp D23/262
D407,802 S * 4/1999 Hatfield D23/262

D452,343 S * 12/2001 Pan D26/138
D463,537 S * 9/2002 Koza D23/233
6,733,045 B2 * 5/2004 Harrington F16L 37/252
285/143.1
6,840,549 B1 * 1/2005 Smith F16L 15/008
285/148.19
7,234,732 B2 * 6/2007 Ball F16L 25/14
285/148.19
D622,582 S * 8/2010 Lottner D8/387
D623,277 S * 9/2010 Guzzoni D23/262
D627,038 S * 11/2010 Yu D23/260
D752,720 S * 3/2016 Wyne D23/259
D762,825 S * 8/2016 Walker D23/259

* cited by examiner

Primary Examiner — Eric Goodman
Assistant Examiner — Amy Wierenga
(74) *Attorney, Agent, or Firm* — NWAMU, P.C.

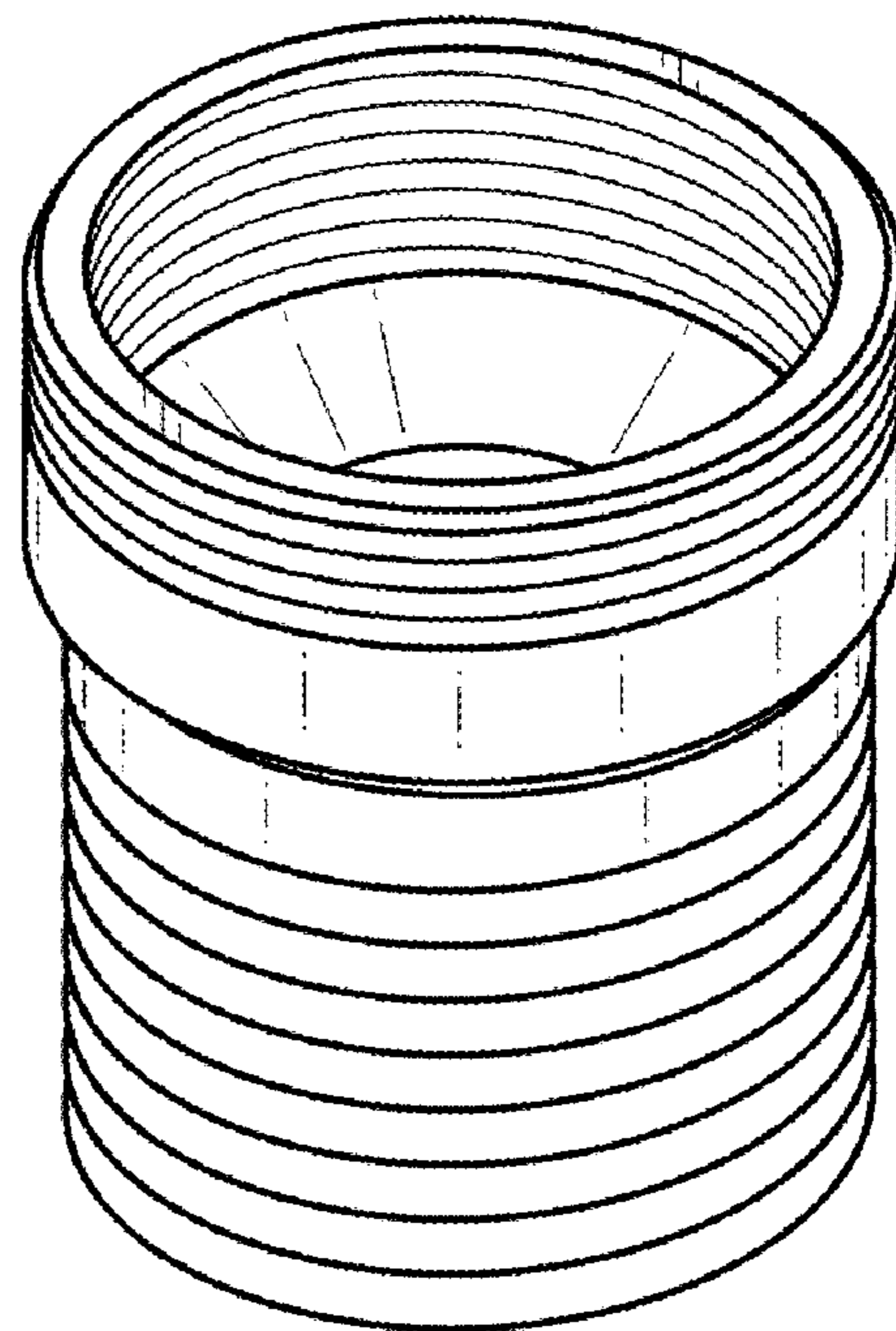
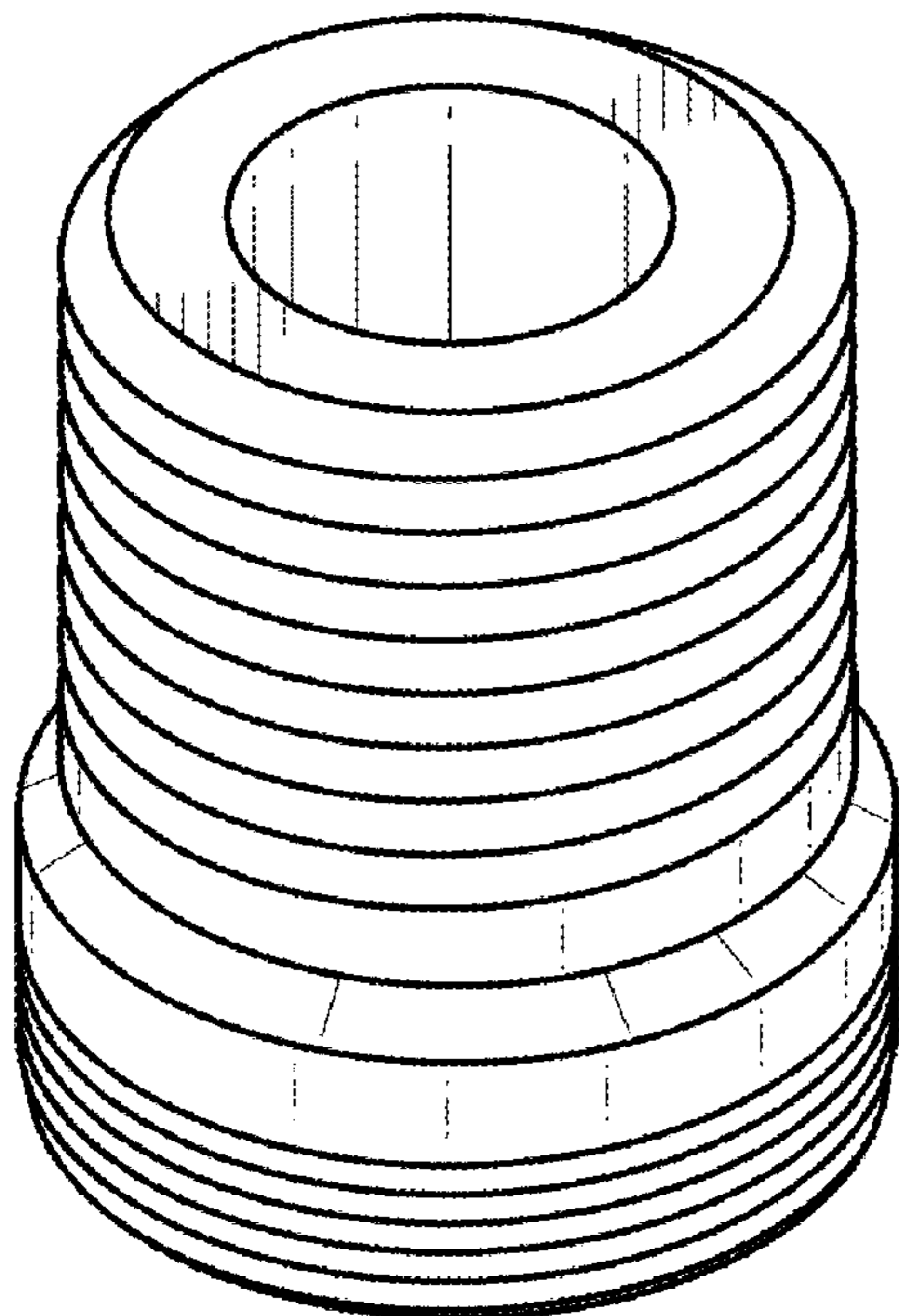
(57) **CLAIM**

The ornamental design for a plumbing fitting, as shown and described.

DESCRIPTION

FIG. 1 is a top perspective view of my new design for the plumbing fitting;
FIG. 2 is a bottom perspective view of my new design for the plumbing fitting;
FIG. 3 is a side view of my new design for the plumbing fitting;
FIG. 4 is a top plan view of my new design for the plumbing fitting; and,
FIG. 5 is a bottom view of my new design for the plumbing fitting.

1 Claim, 2 Drawing Sheets



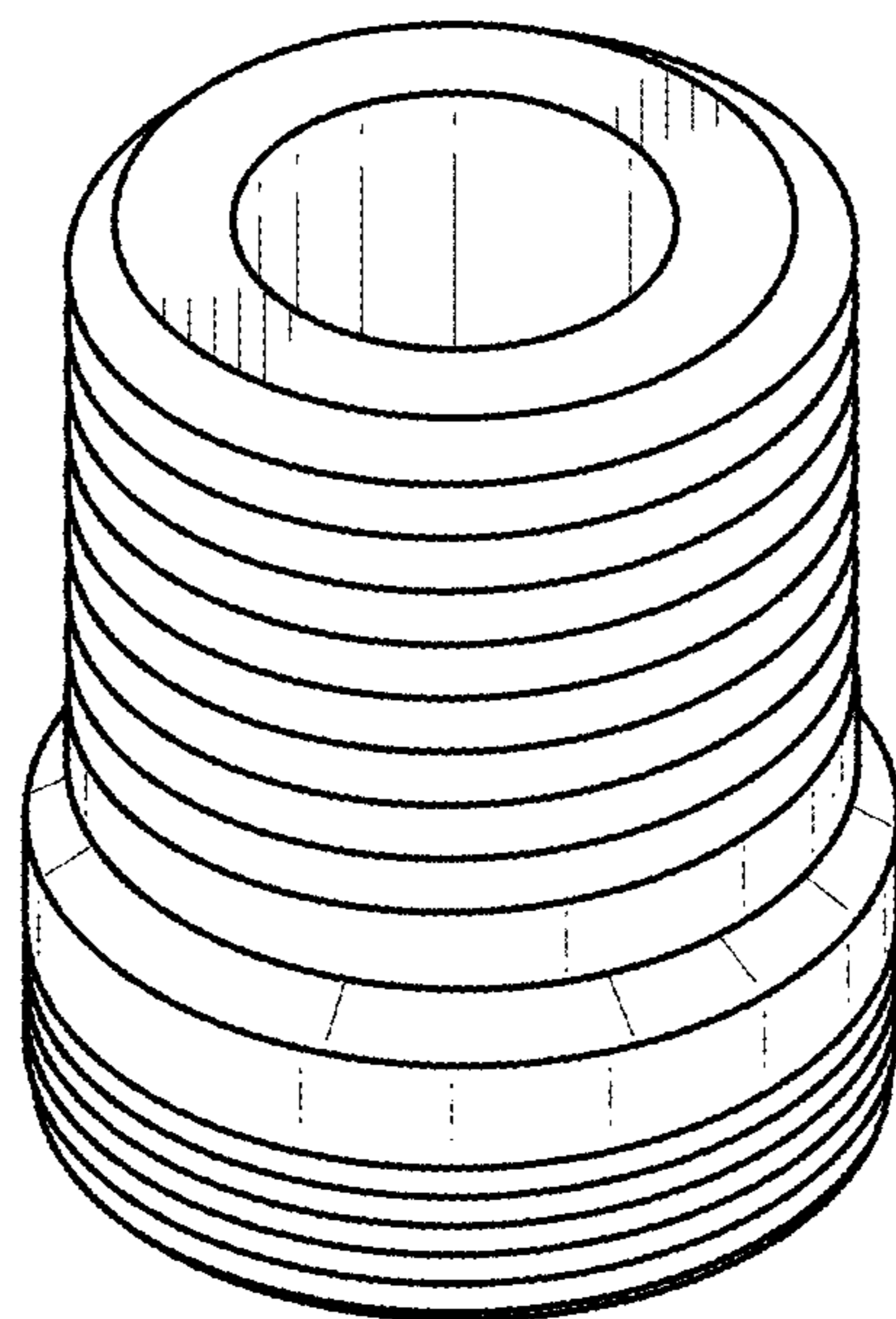


FIG. 1

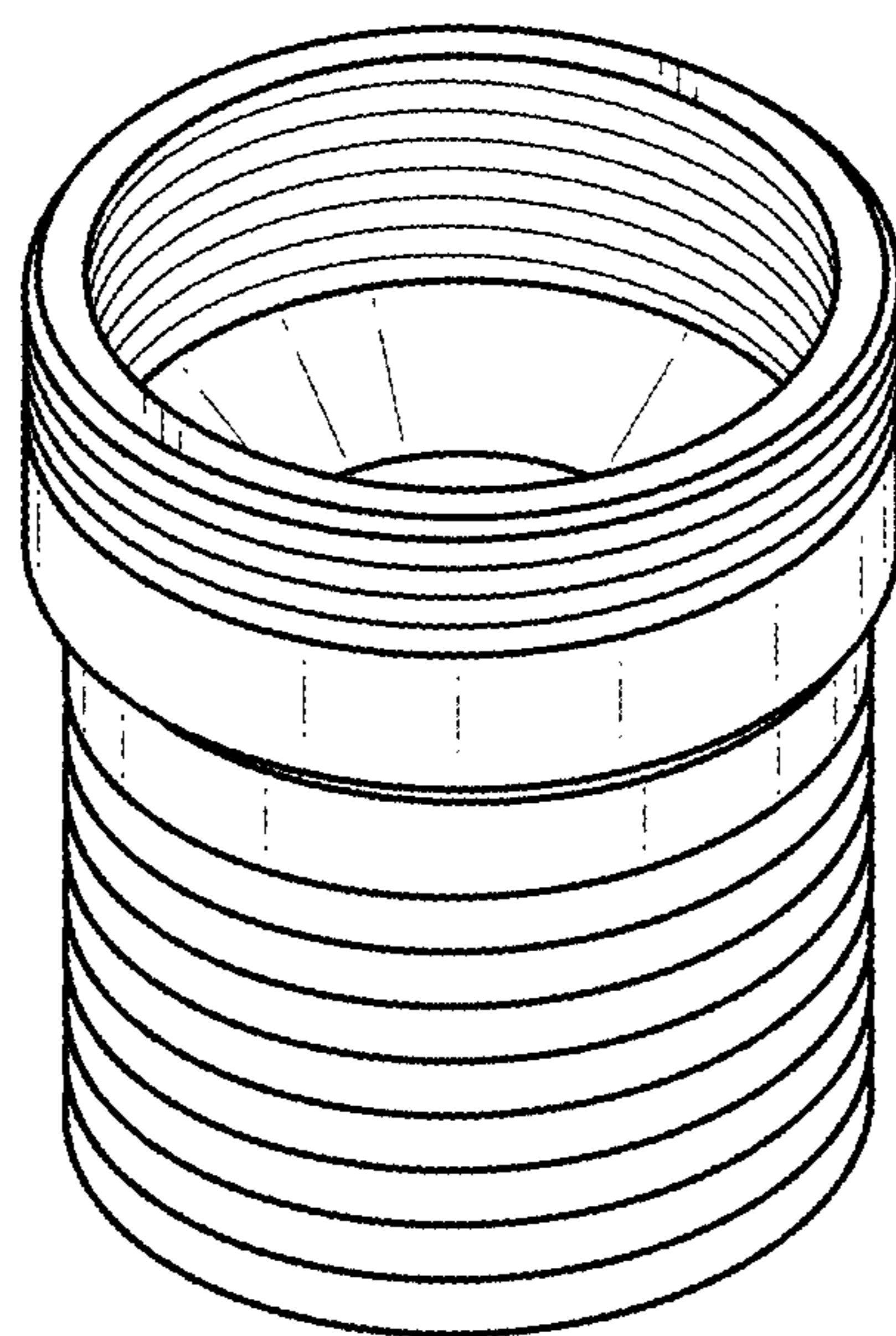


FIG. 2

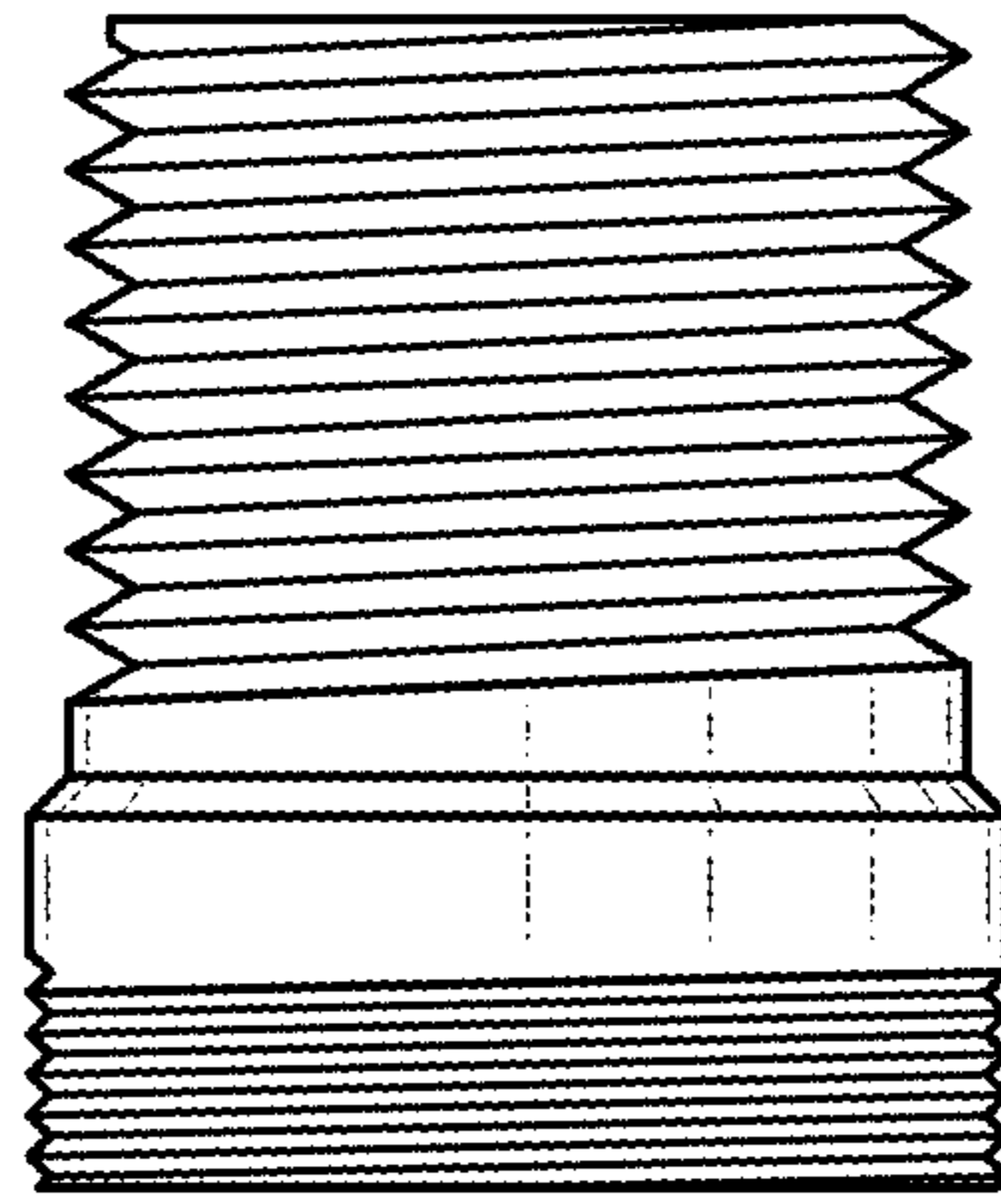


FIG. 3

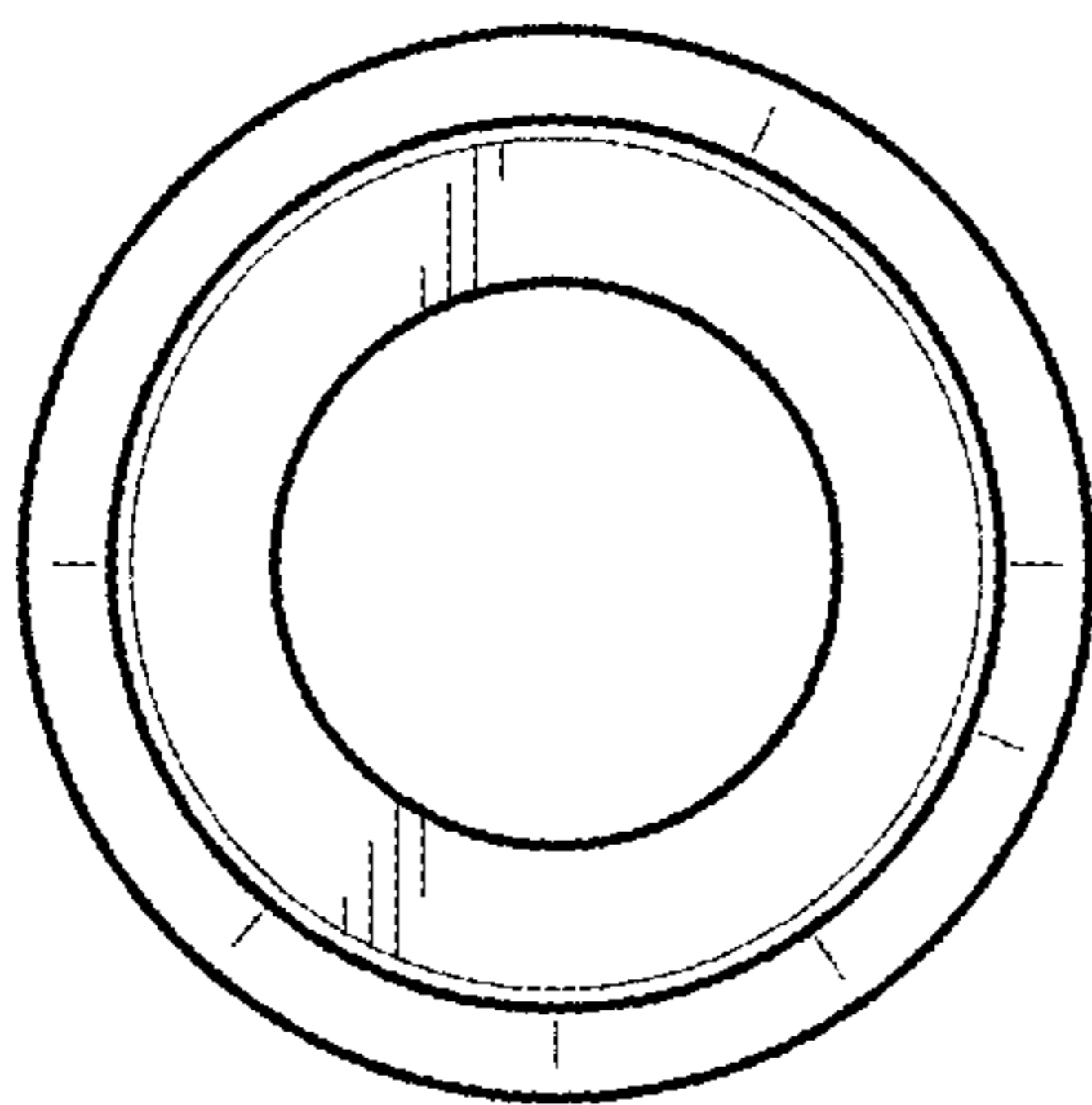


FIG. 4

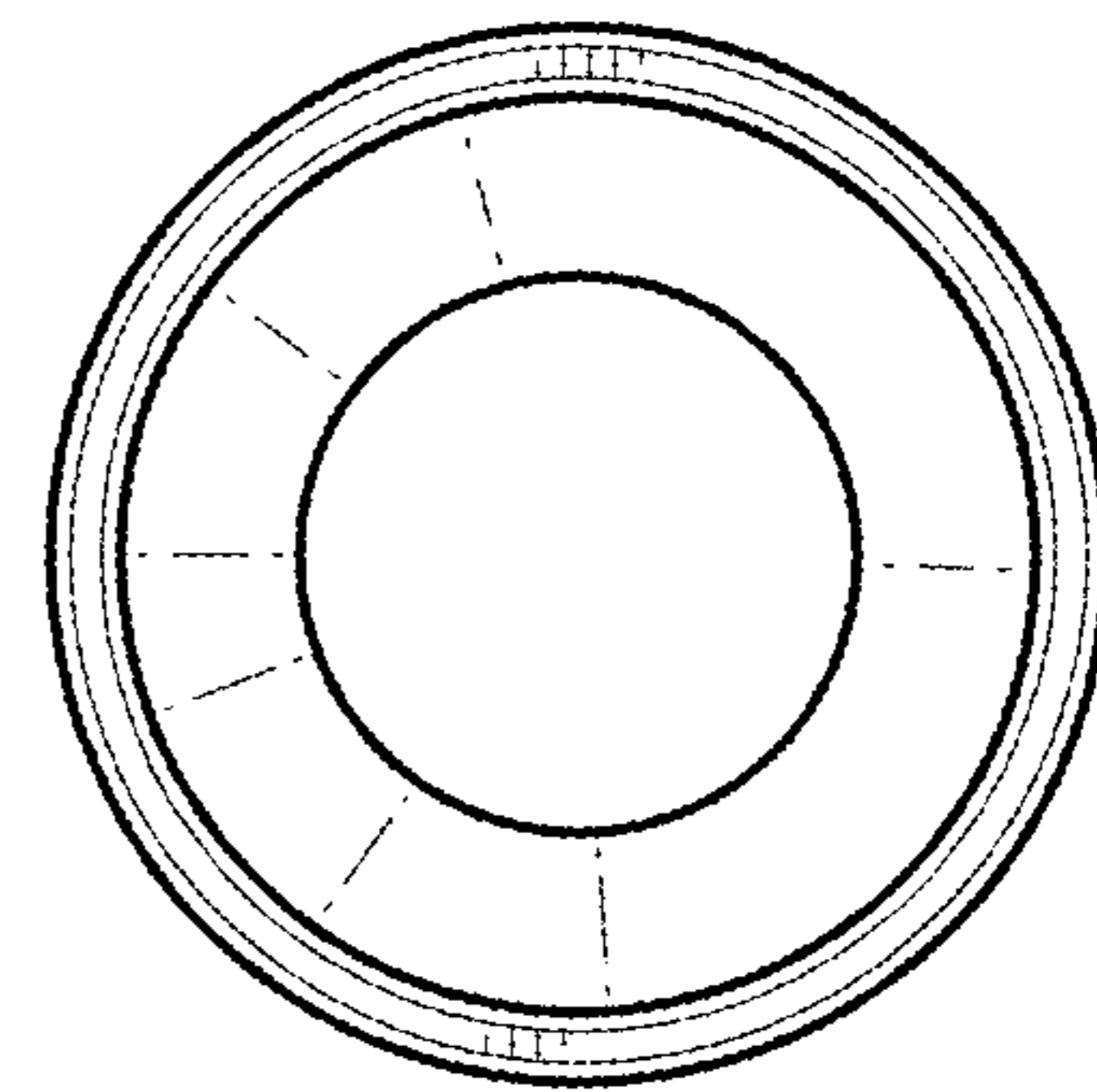


FIG. 5