



US00D780296S

(12) **United States Design Patent** (10) **Patent No.:** **US D780,296 S**
Fletcher et al. (45) **Date of Patent:** **** Feb. 28, 2017**

(54) **ACTUATED VALVE**

(56) **References Cited**

(71) Applicants: **David E. Fletcher**, Flint, MI (US);
Brian M. Graichen, Leonard, MI (US);
James H. Miller, Ortonville, MI (US);
Rex Bravo, Detroit, MI (US); **Keith Hampton**, Ann Arbor, MI (US);
Matthew C. Gilmer, Whitmore Lake, MI (US); **Andrew D. Niedert**, New Hudson, MI (US); **Nicole Bruder**, Harrison Township, MI (US)

U.S. PATENT DOCUMENTS

2014/0197345 A1* 7/2014 Graichen F16K 31/084
251/324
2014/0353534 A1* 12/2014 Graichen F16K 31/1221
251/213
2015/0060709 A1* 3/2015 Fletcher F16K 3/16
251/62
2015/0090355 A1* 4/2015 Fletcher F16K 31/0668
137/630.12

(Continued)

(72) Inventors: **David E. Fletcher**, Flint, MI (US);
Brian M. Graichen, Leonard, MI (US);
James H. Miller, Ortonville, MI (US);
Rex Bravo, Detroit, MI (US); **Keith Hampton**, Ann Arbor, MI (US);
Matthew C. Gilmer, Whitmore Lake, MI (US); **Andrew D. Niedert**, New Hudson, MI (US); **Nicole Bruder**, Harrison Township, MI (US)

Primary Examiner — Cynthia Ramirez

Assistant Examiner — Gino Colan

(74) *Attorney, Agent, or Firm* — Thompson Hine LLP

(73) Assignee: **DAYCO IP HOLDINGS, LLC**, Troy, MI (US)

(57) **CLAIM**

The ornamental design for an actuated valve, as shown and described.

(**) Term: **15 Years**

DESCRIPTION

(21) Appl. No.: **29/533,486**

(22) Filed: **Jul. 17, 2015**

(51) **LOC (10) Cl.** **23-01**

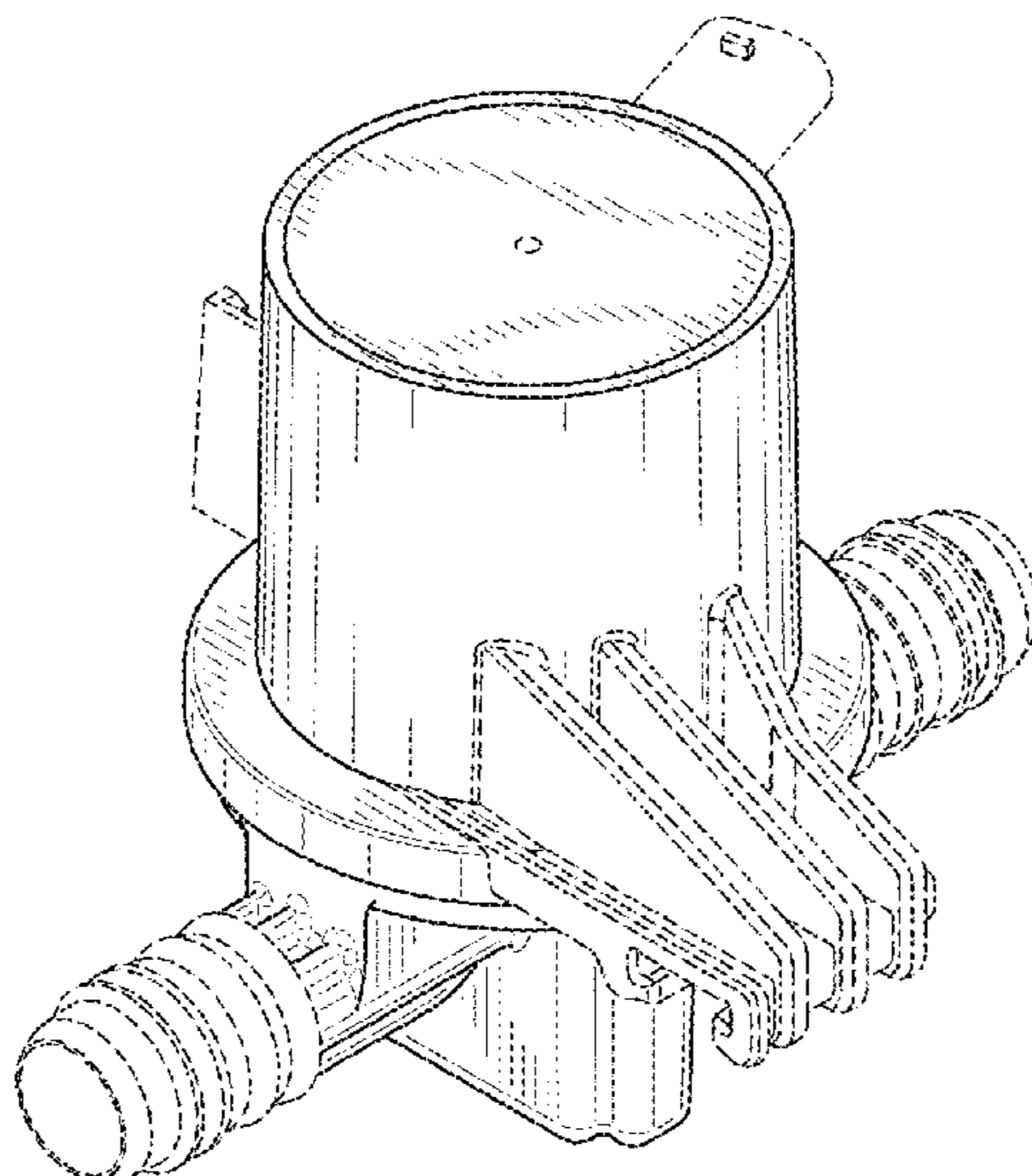
(52) **U.S. Cl.**
USPC **D23/233**

(58) **Field of Classification Search**
USPC D23/233–250; 137/301, 315.18, 486,
137/487.5, 599.05, 601.14, 554, 630.12;
251/62, 327, 213, 324; D15/5
CPC F16K 3/0254; F16K 31/1221; F16K
31/0675; F16K 31/082; F16K 31/084;
F16K 3/16; F16K 31/0668

FIG. 1 is a front perspective view for an actuated valve showing our new design;
FIG. 2 is a front elevation view of the actuated valve thereof;
FIG. 3 is a rear elevation view of the actuated valve thereof;
FIG. 4 is a left-side elevation view of the actuated valve thereof;
FIG. 5 is a right-side elevation view of the actuated valve thereof;
FIG. 6 is a top view of the actuated valve thereof; and,
FIG. 7 is a bottom view of the actuated valve thereof.
The broken lines shown in the figures are included for the purpose of illustrating portions of the actuated valve and form no part of the claimed design.

See application file for complete search history.

1 Claim, 4 Drawing Sheets



(56)

References Cited

U.S. PATENT DOCUMENTS

2015/0345517 A1 12/2015 Fletcher et al.

* cited by examiner

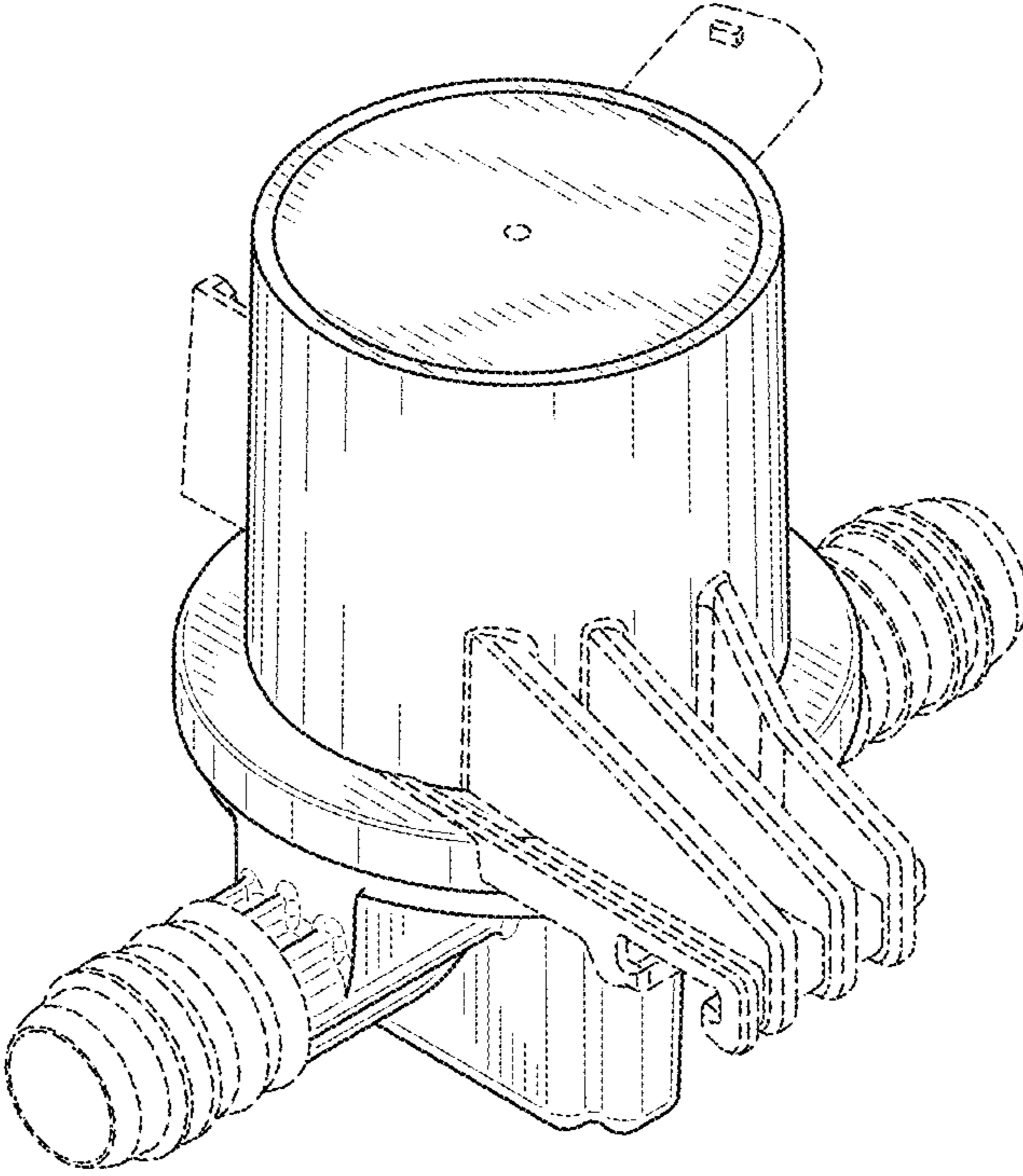


FIG. 1

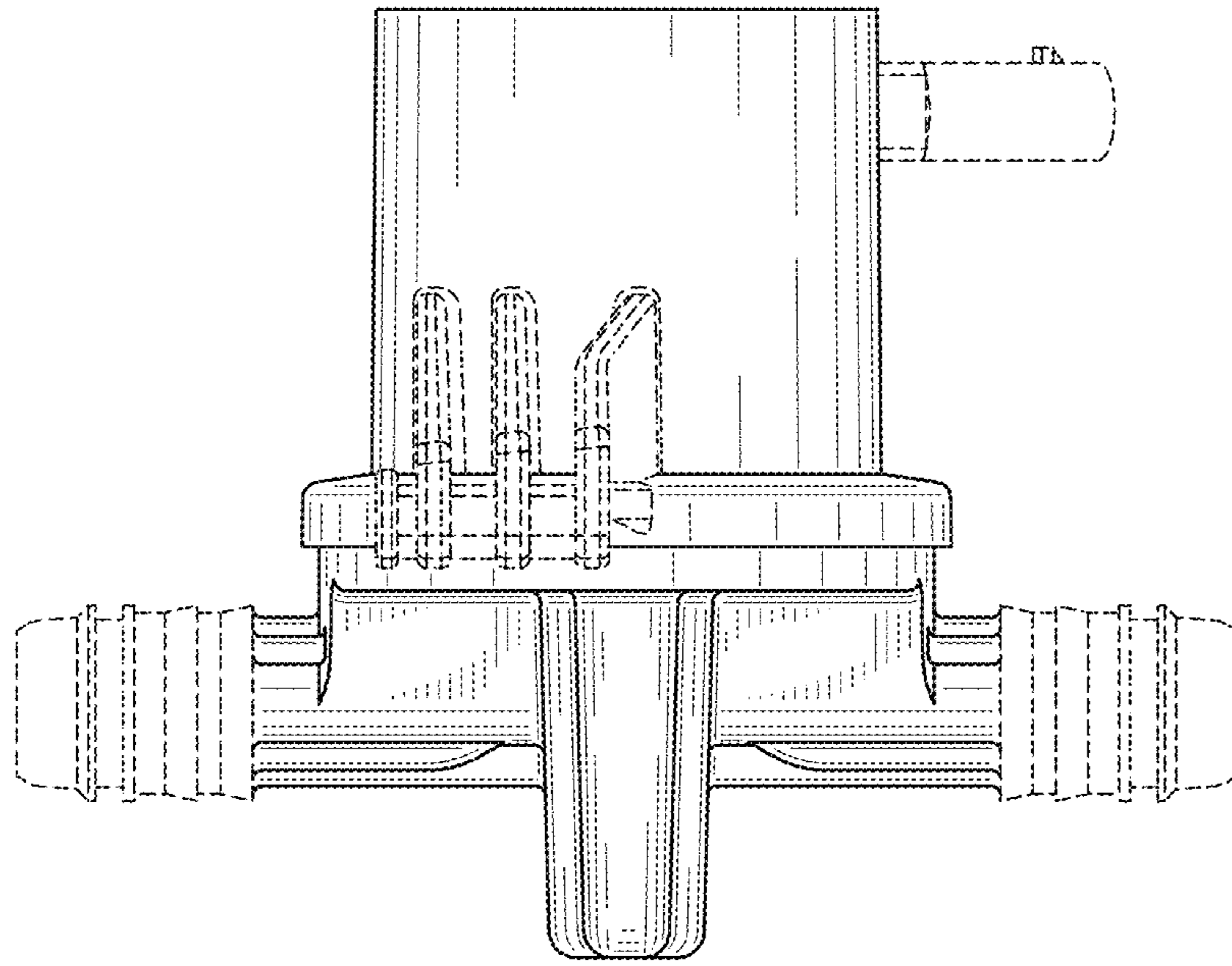


FIG. 2

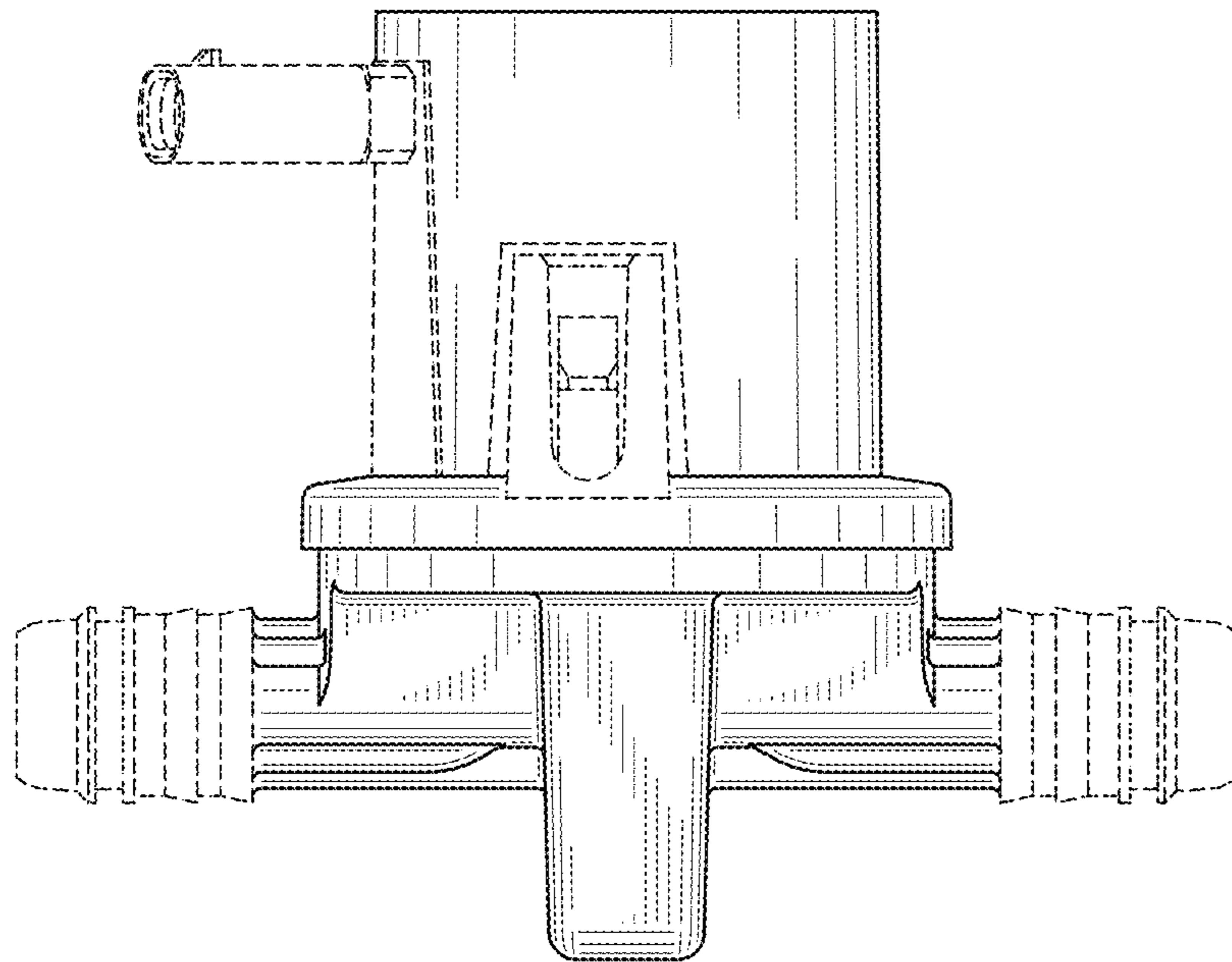


FIG. 3

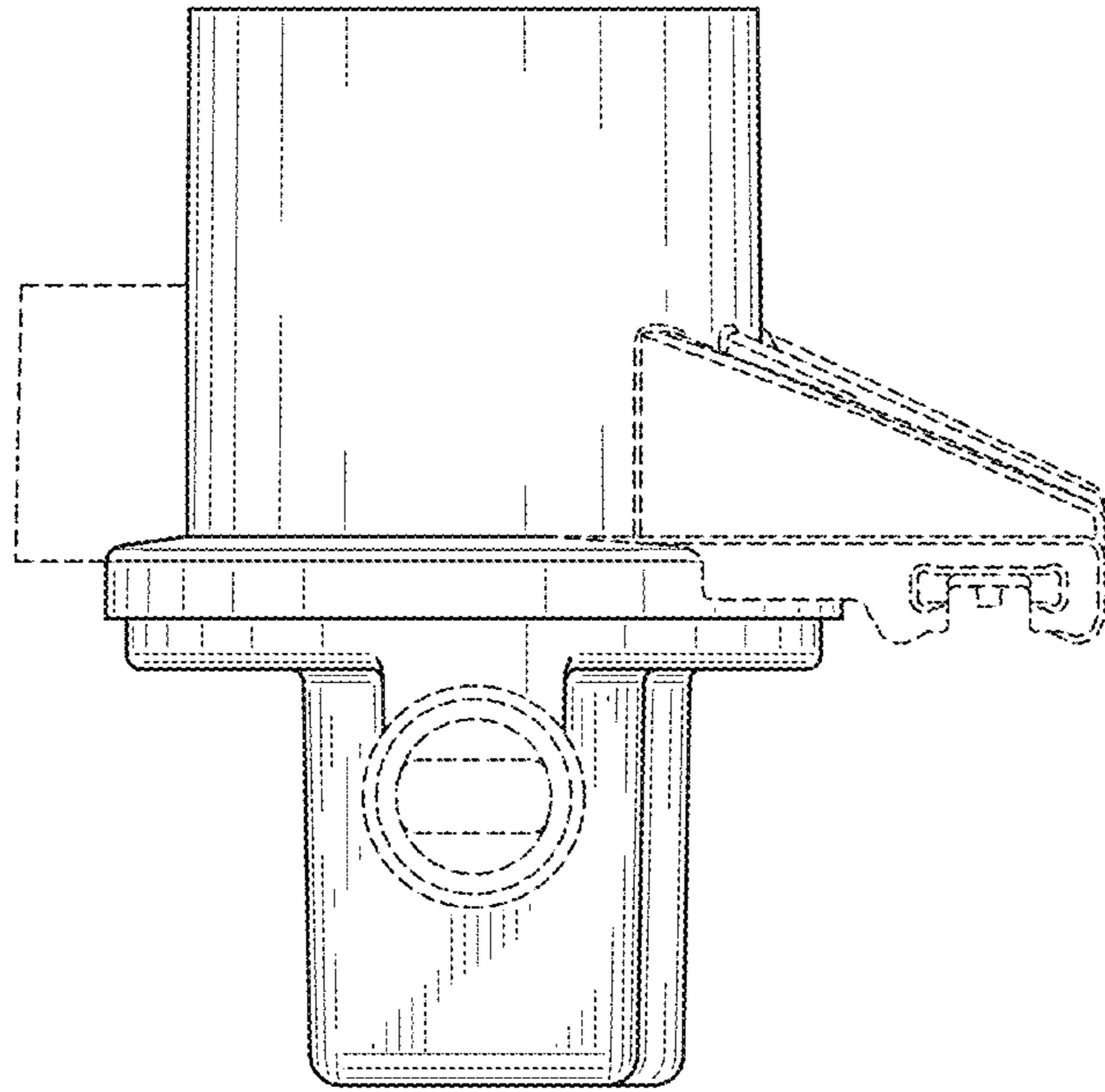


FIG. 4

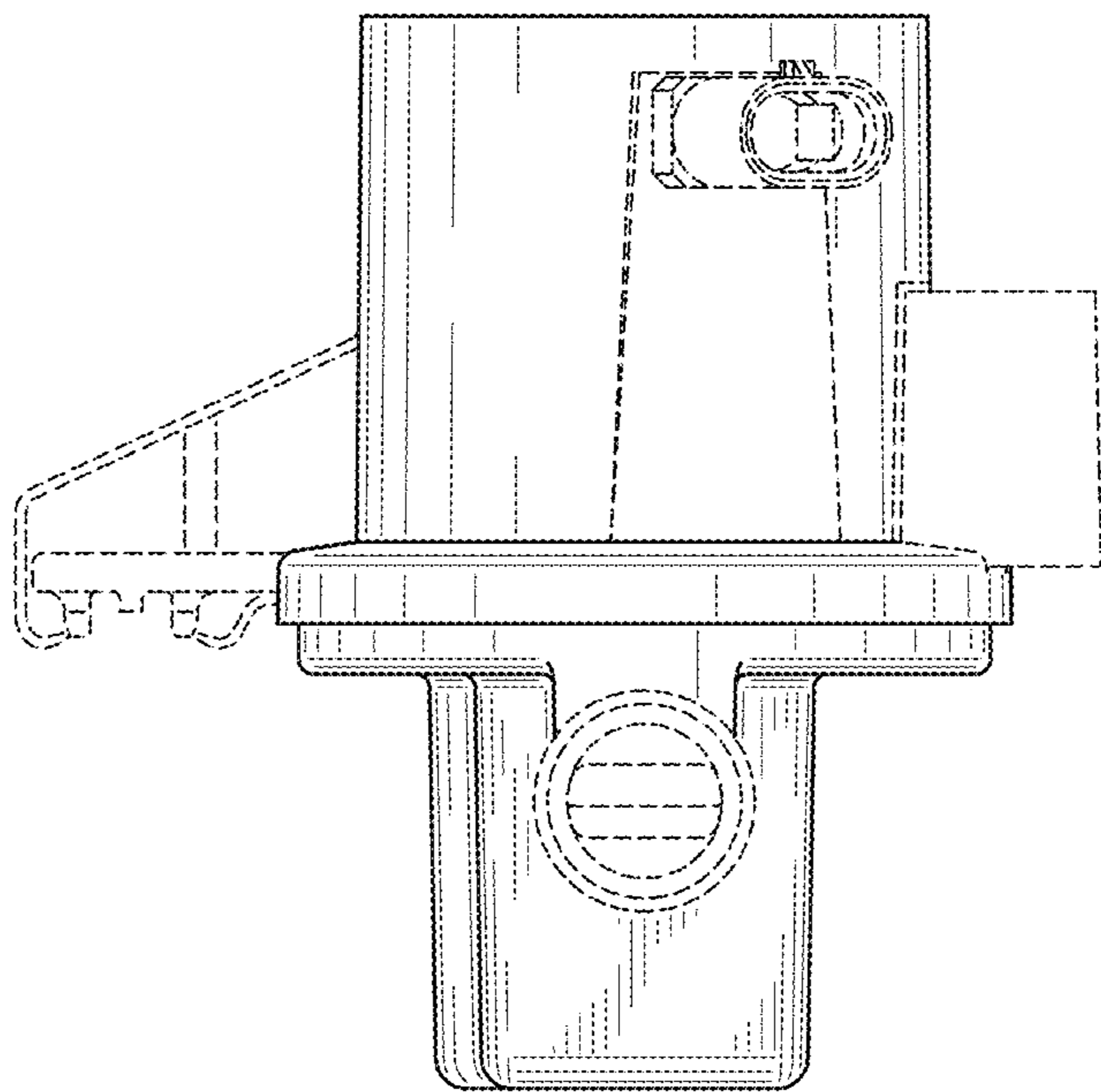


FIG. 5

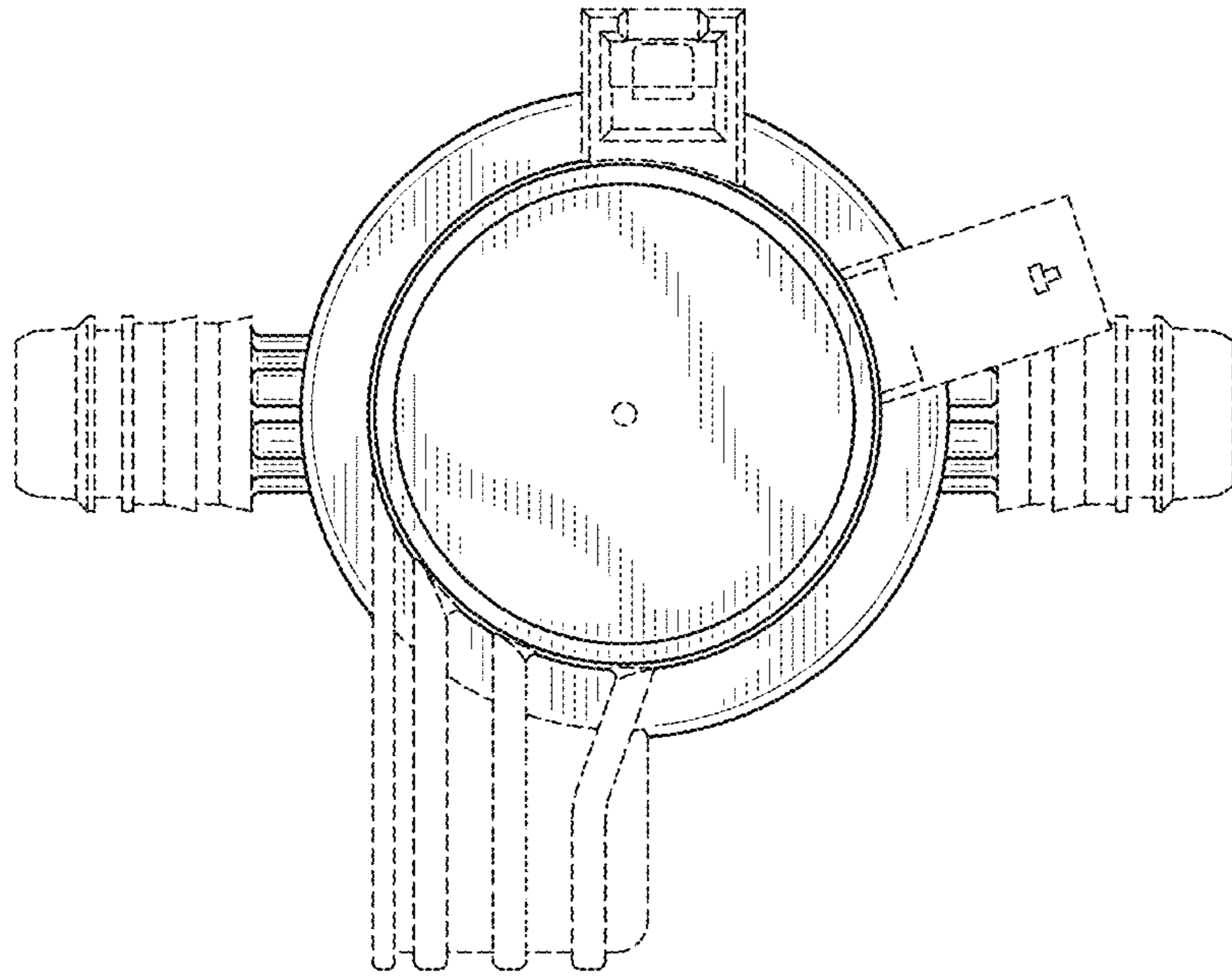


FIG. 6

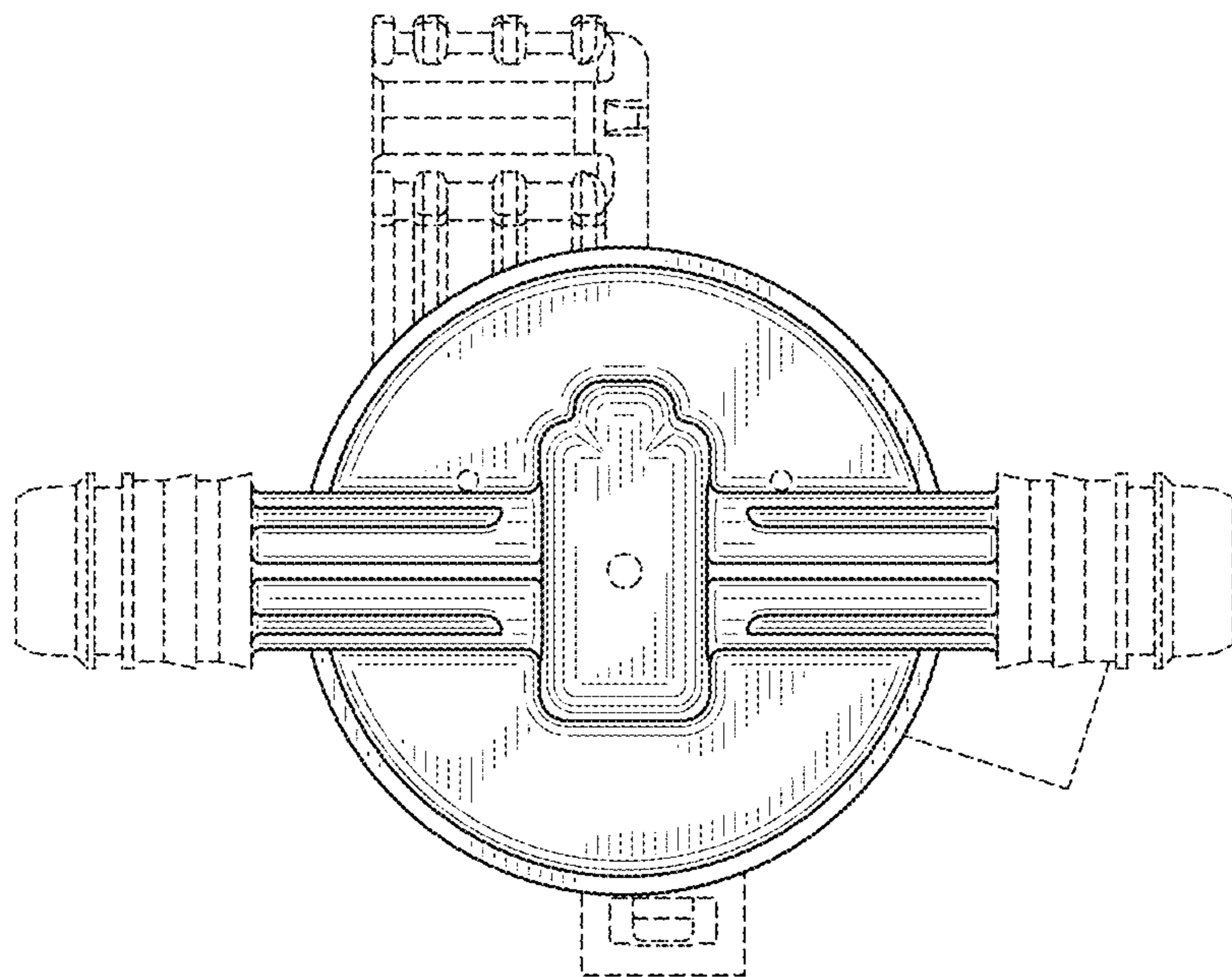


FIG. 7