



US00D780294S

(12) **United States Design Patent**
Chen

(10) **Patent No.:** **US D780,294 S**

(45) **Date of Patent:** **** Feb. 28, 2017**

- (54) **WATER SPRAYING GUN**
- (71) Applicant: **Chin-Yuan Chen**, Changhua (TW)
- (72) Inventor: **Chin-Yuan Chen**, Changhua (TW)
- (73) Assignee: **Shin Tai Spurt Water of the Garden Tools Co. Ltd.**, Changhua (TW)

D449,671 S *	10/2001	Wang	D23/226
D453,548 S *	2/2002	Wang	D23/226
D454,619 S *	3/2002	Wang	D23/226
D469,850 S *	2/2003	Nien	D23/226
D553,224 S *	10/2007	Chih	D23/226
D553,711 S *	10/2007	Chih	D23/226
D554,234 S *	10/2007	Chih	D23/226
8,496,190 B2 *	7/2013	Chen	B05B 9/01 239/394

(**) Term: **15 Years**

* cited by examiner

(21) Appl. No.: **29/547,584**

Primary Examiner — Robin V Webster

(22) Filed: **Dec. 4, 2015**

(74) *Attorney, Agent, or Firm* — Che-Yang Chen; Law Offices of Scott Warmuth

(51) **LOC (10) Cl.** **23-01**

(57) **CLAIM**

(52) **U.S. Cl.**
USPC **D23/226**

The ornamental design for a water spraying gun, as shown and described.

(58) **Field of Classification Search**
USPC D23/213, 223, 226; 239/526; 4/615
CPC B05B 1/005; B05B 1/3013; B05B 9/01
See application file for complete search history.

DESCRIPTION

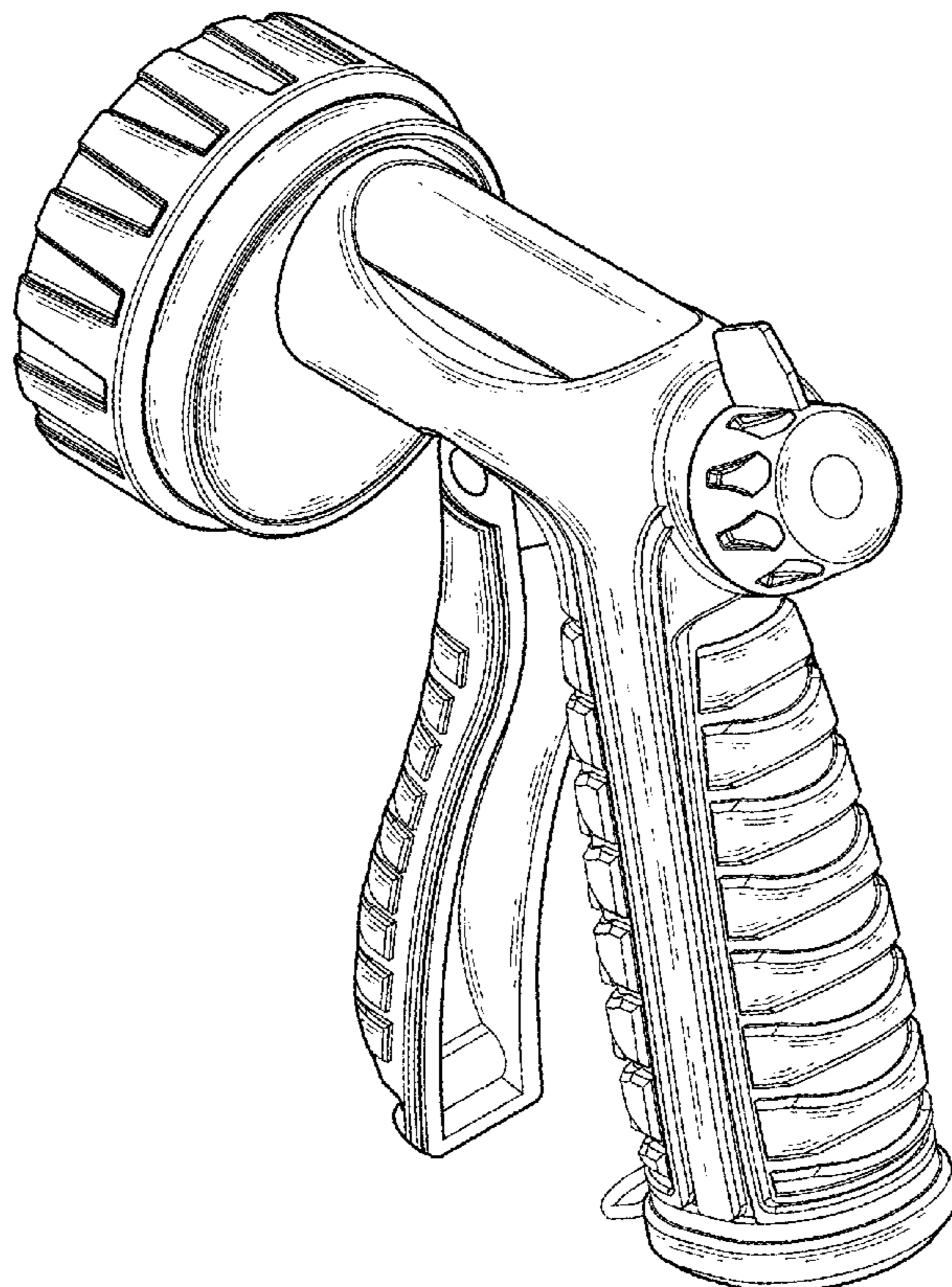
(56) **References Cited**

FIG. 1 is a perspective view of a water spraying gun showing my new design;
FIG. 2 is a front elevational view thereof;
FIG. 3 is a rear elevational view thereof;
FIG. 4 is a left side elevational view thereof;
FIG. 5 is a right side elevational view thereof;
FIG. 6 is a top plan view thereof; and,
FIG. 7 is a bottom plan view thereof.

U.S. PATENT DOCUMENTS

3,743,188 A *	7/1973	Wagner	B05B 9/01 239/526
5,806,770 A *	9/1998	Wang	A62C 31/03 239/391

1 Claim, 4 Drawing Sheets



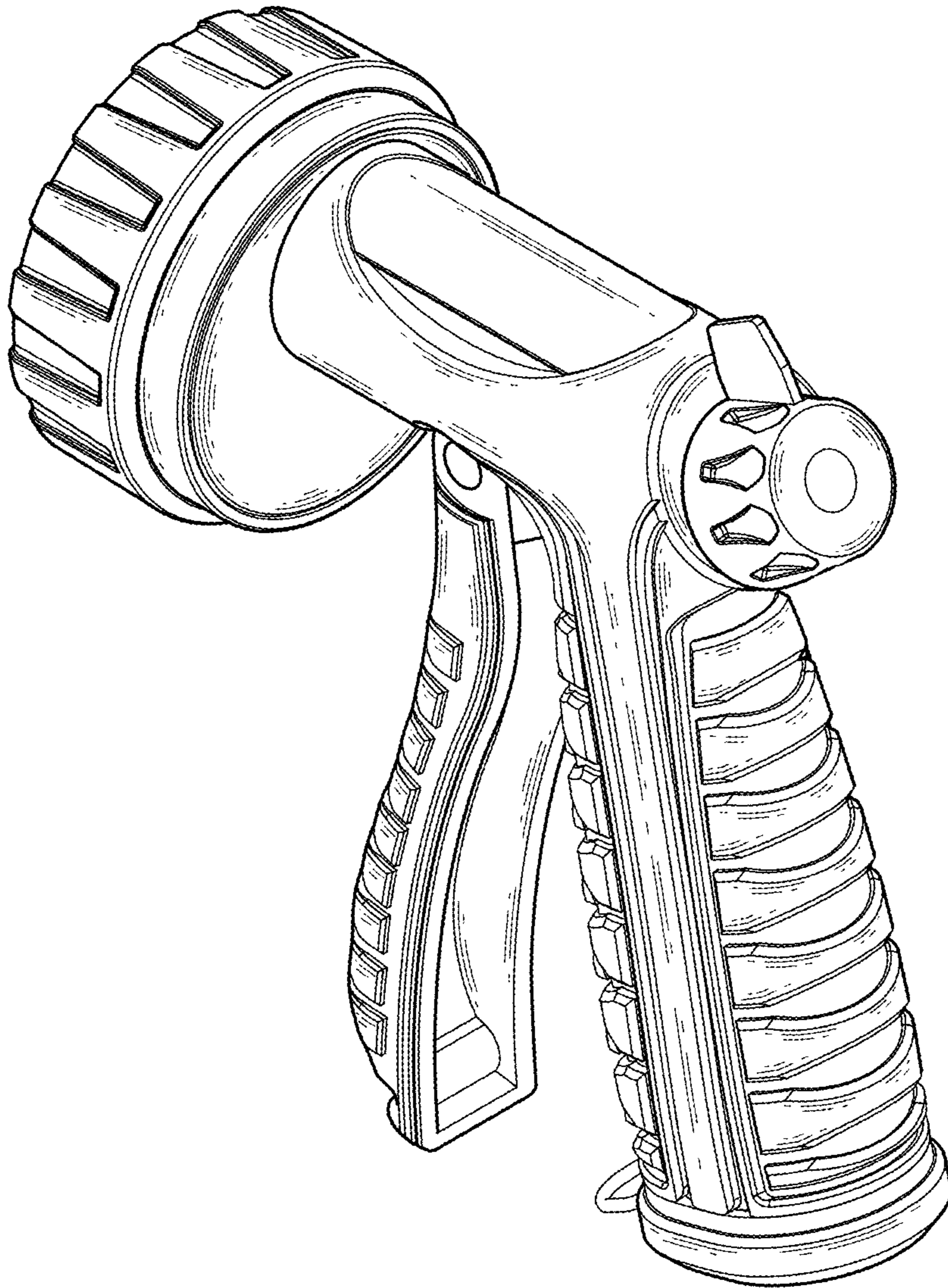


FIG. 1

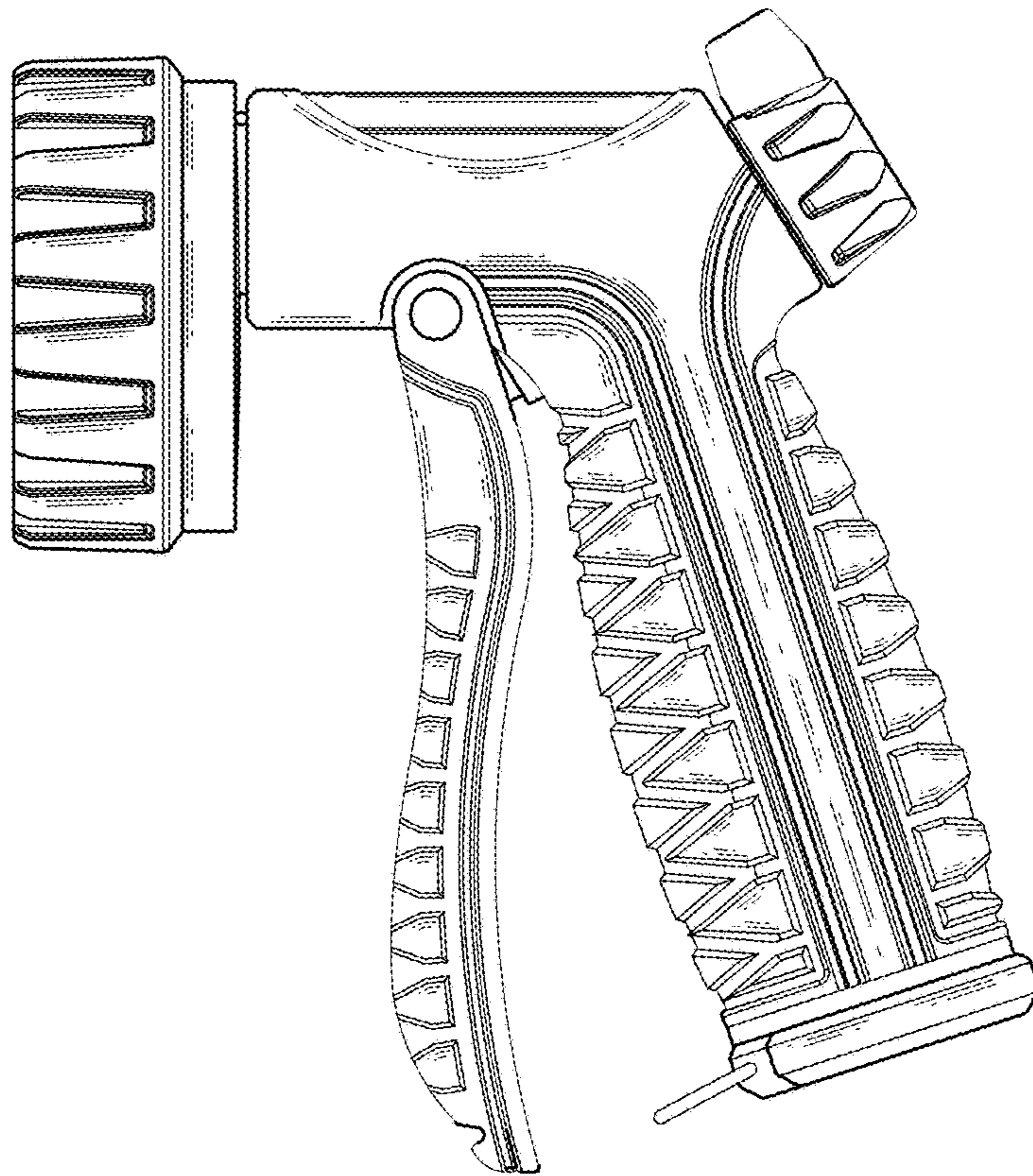


FIG. 2

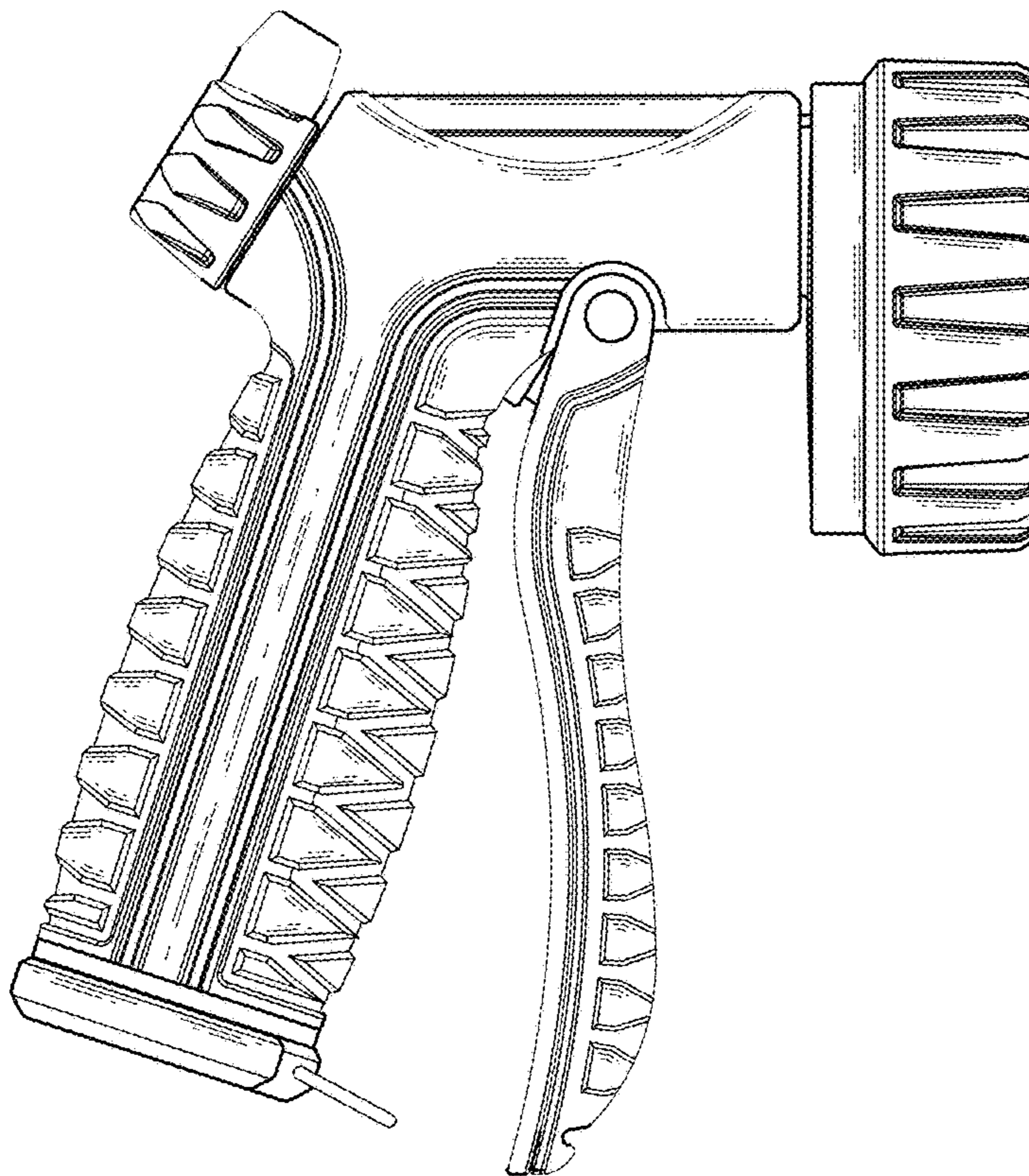


FIG. 3

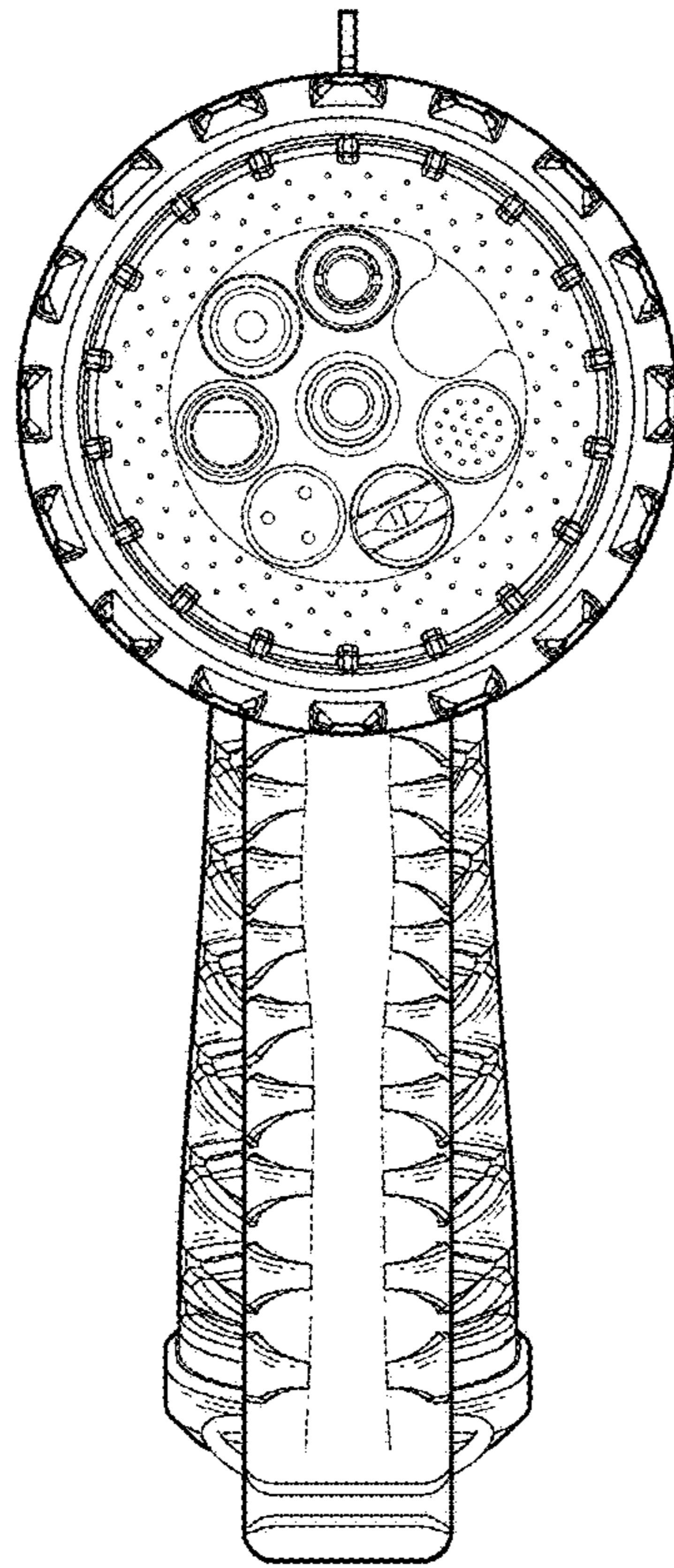


FIG. 4

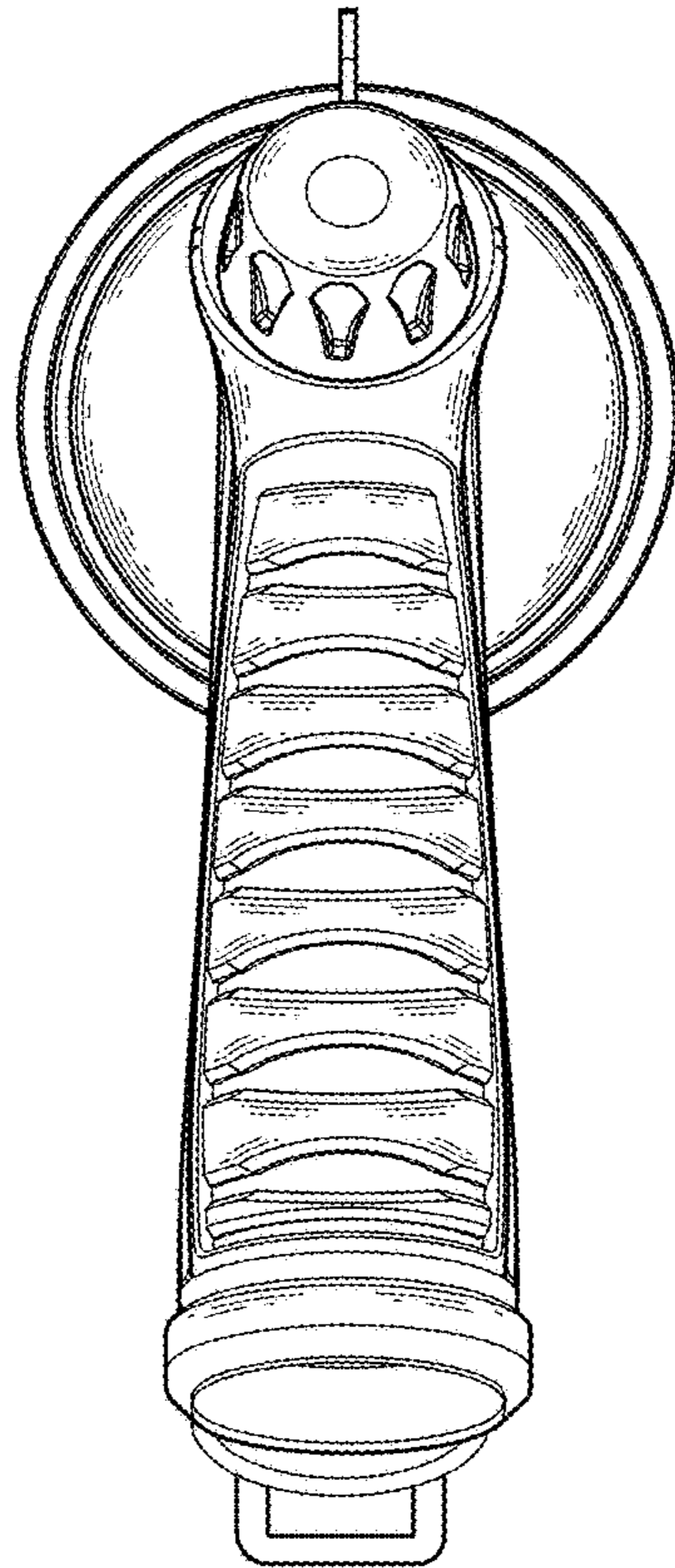


FIG. 5

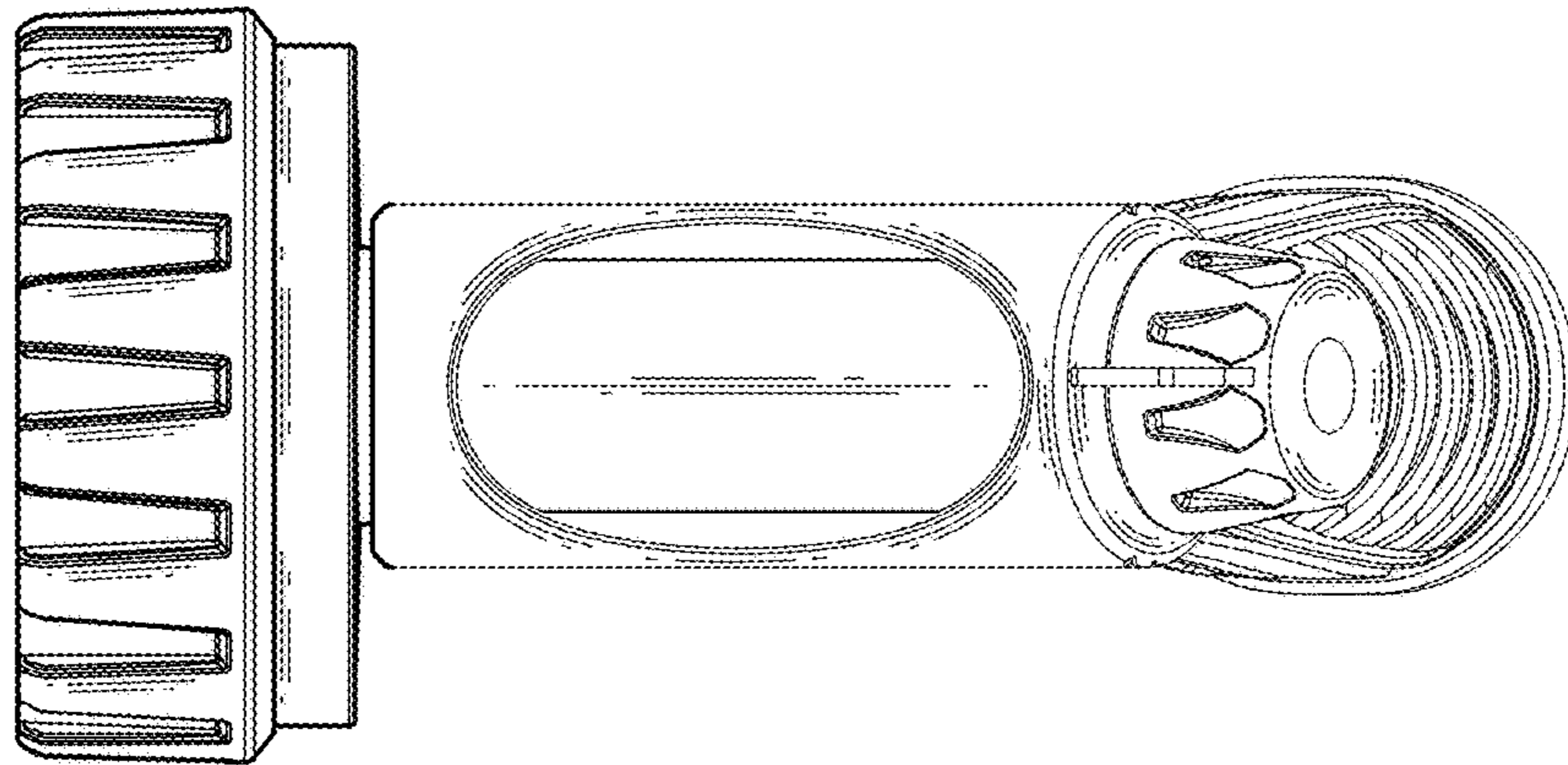


FIG. 6

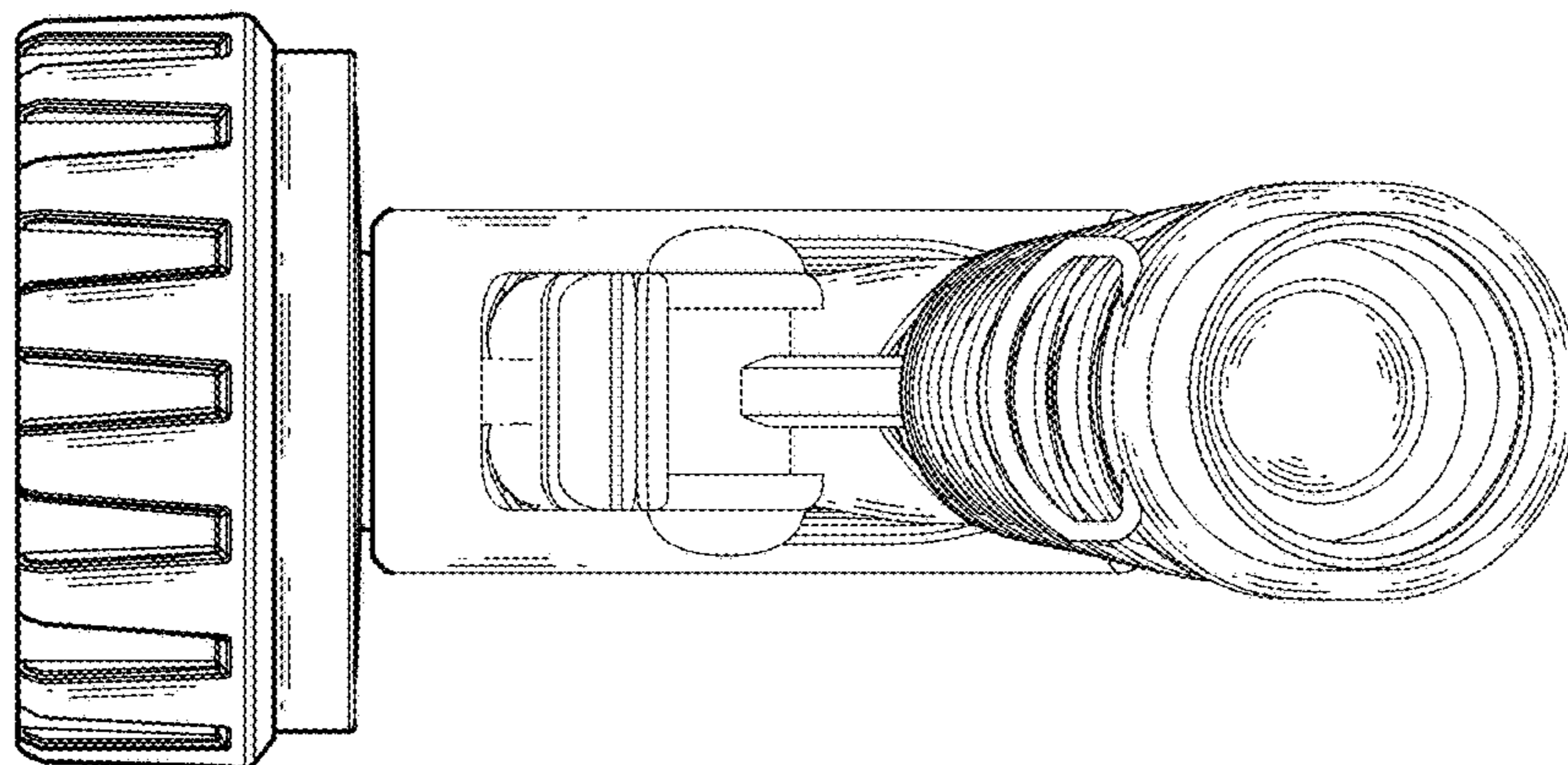


FIG. 7