



US00D780292S

(12) **United States Design Patent**
Chen

(10) **Patent No.:** **US D780,292 S**

(45) **Date of Patent:** **** Feb. 28, 2017**

(54) **WATER SPRAYING GUN**

(71) Applicant: **Chin-Yuan Chen**, Changhua (TW)

(72) Inventor: **Chin-Yuan Chen**, Changhua (TW)

(73) Assignee: **Shin Tai Spurt Water of the Garden Tools Co. Ltd.**, Changhua (TW)

(**) Term: **15 Years**

(21) Appl. No.: **29/547,320**

(22) Filed: **Dec. 2, 2015**

(51) **LOC (10) Cl.** **23-01**

(52) **U.S. Cl.**
USPC **D23/226**

(58) **Field of Classification Search**
USPC D23/213, 223, 226; 239/526; 4/615
CPC B05B 1/005; B05B 1/3013; B05B 9/01
See application file for complete search history.

(56) **References Cited**

U.S. PATENT DOCUMENTS

- 3,743,188 A * 7/1973 Wagner B05B 9/01
239/526
- 5,806,770 A * 9/1998 Wang A62C 31/03
239/391

- D449,671 S * 10/2001 Wang D23/226
- D453,548 S * 2/2002 Wang D23/226
- D454,619 S * 3/2002 Wang D23/226
- D469,850 S * 2/2003 Nien D23/226
- D553,224 S * 10/2007 Chih D23/226
- D553,711 S * 10/2007 Chih D23/226
- D554,234 S * 10/2007 Chih D23/226
- 8,496,190 B2 * 7/2013 Chen B05B 9/01
239/394

* cited by examiner

Primary Examiner — Robin V Webster

(74) *Attorney, Agent, or Firm* — Che-Yang Chen; Law Offices of Scott Warmuth

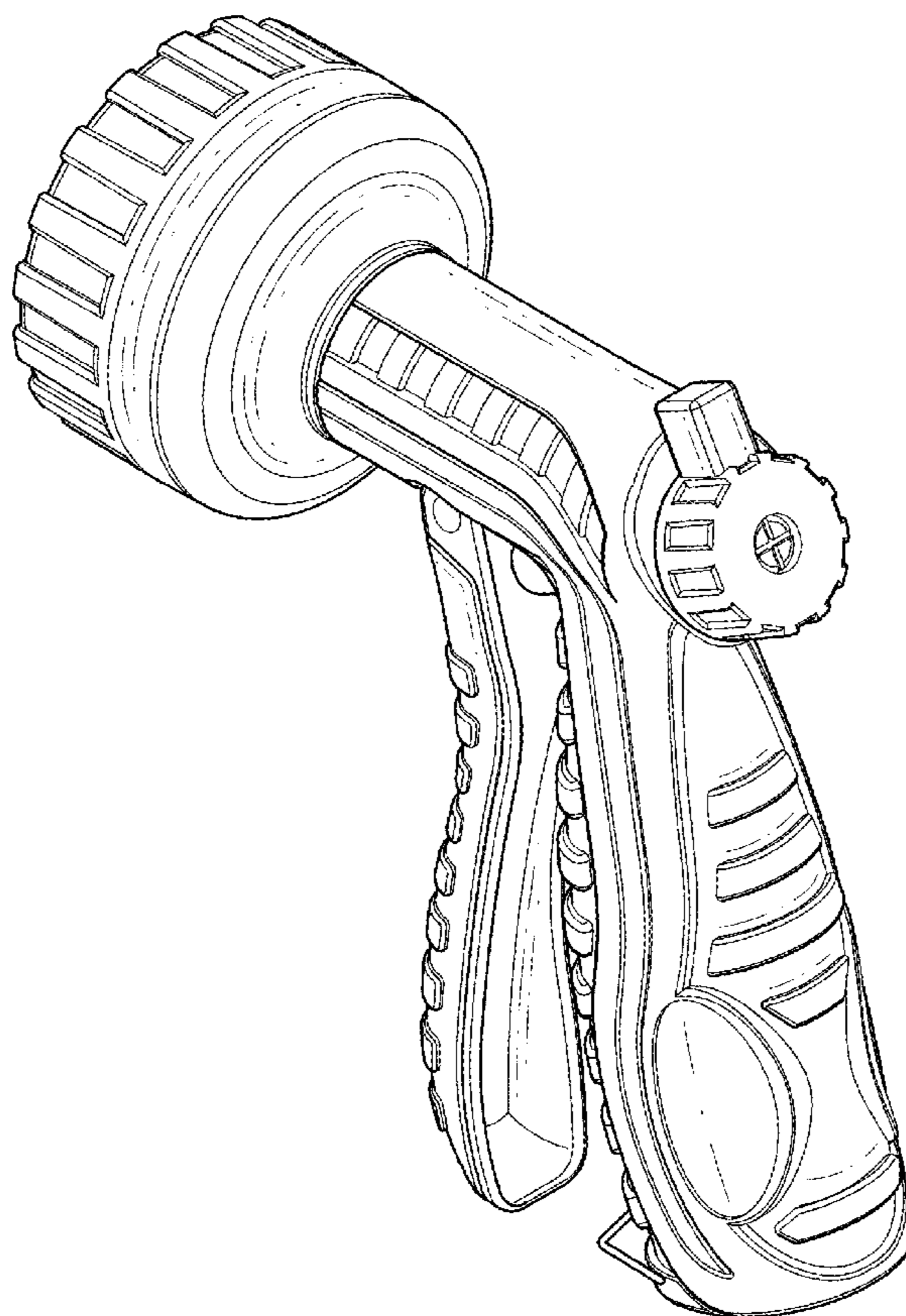
(57) **CLAIM**

The ornamental design for a water spraying gun, as shown and described.

DESCRIPTION

FIG. 1 is a perspective view of a water spraying gun showing my new design;
 FIG. 2 is a front elevational view thereof;
 FIG. 3 is a rear elevational view thereof;
 FIG. 4 is a left side elevational view thereof;
 FIG. 5 is a right side elevational view thereof;
 FIG. 6 is a top plan view thereof; and,
 FIG. 7 is a bottom plan view thereof.

1 Claim, 4 Drawing Sheets



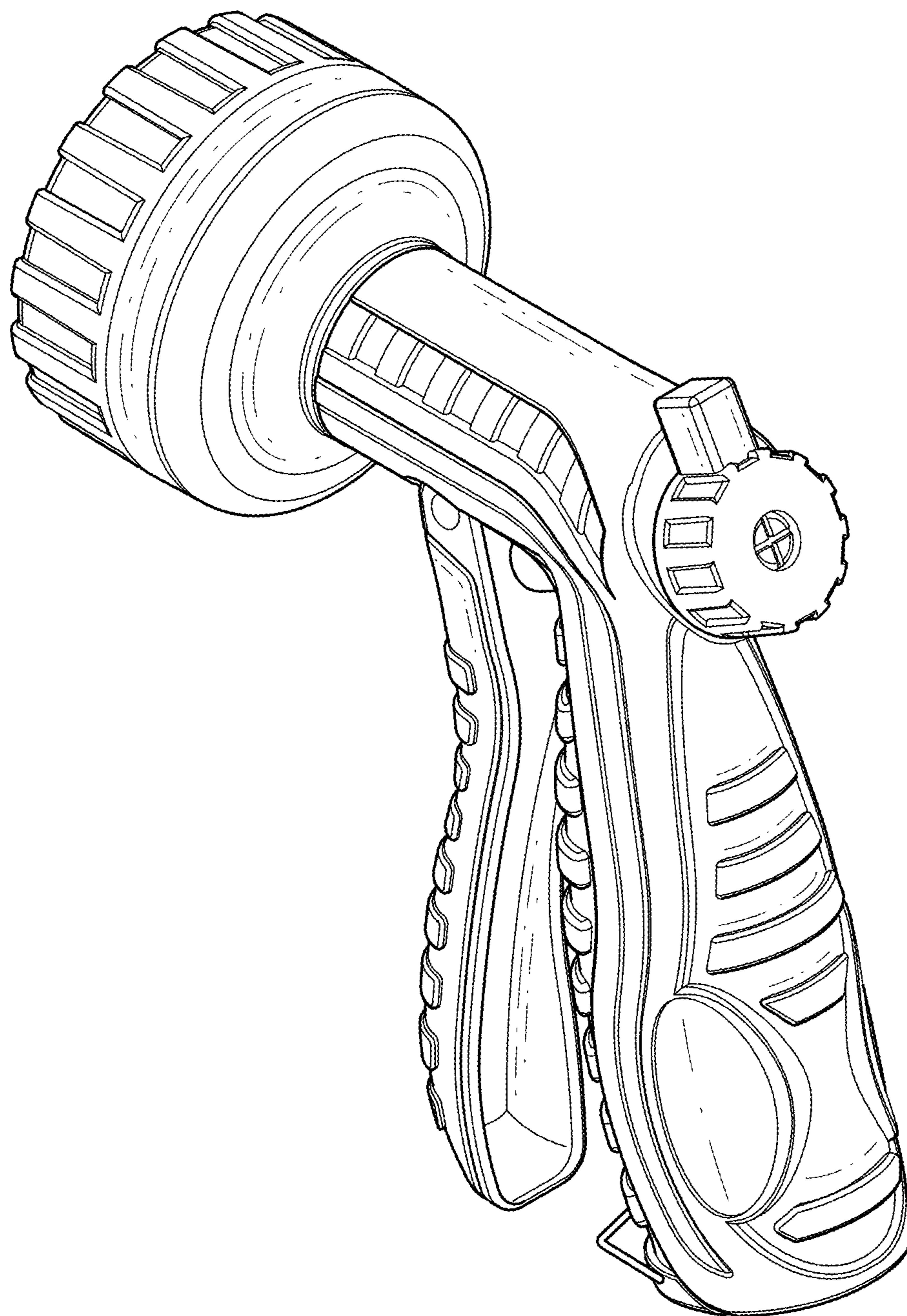


FIG. 1

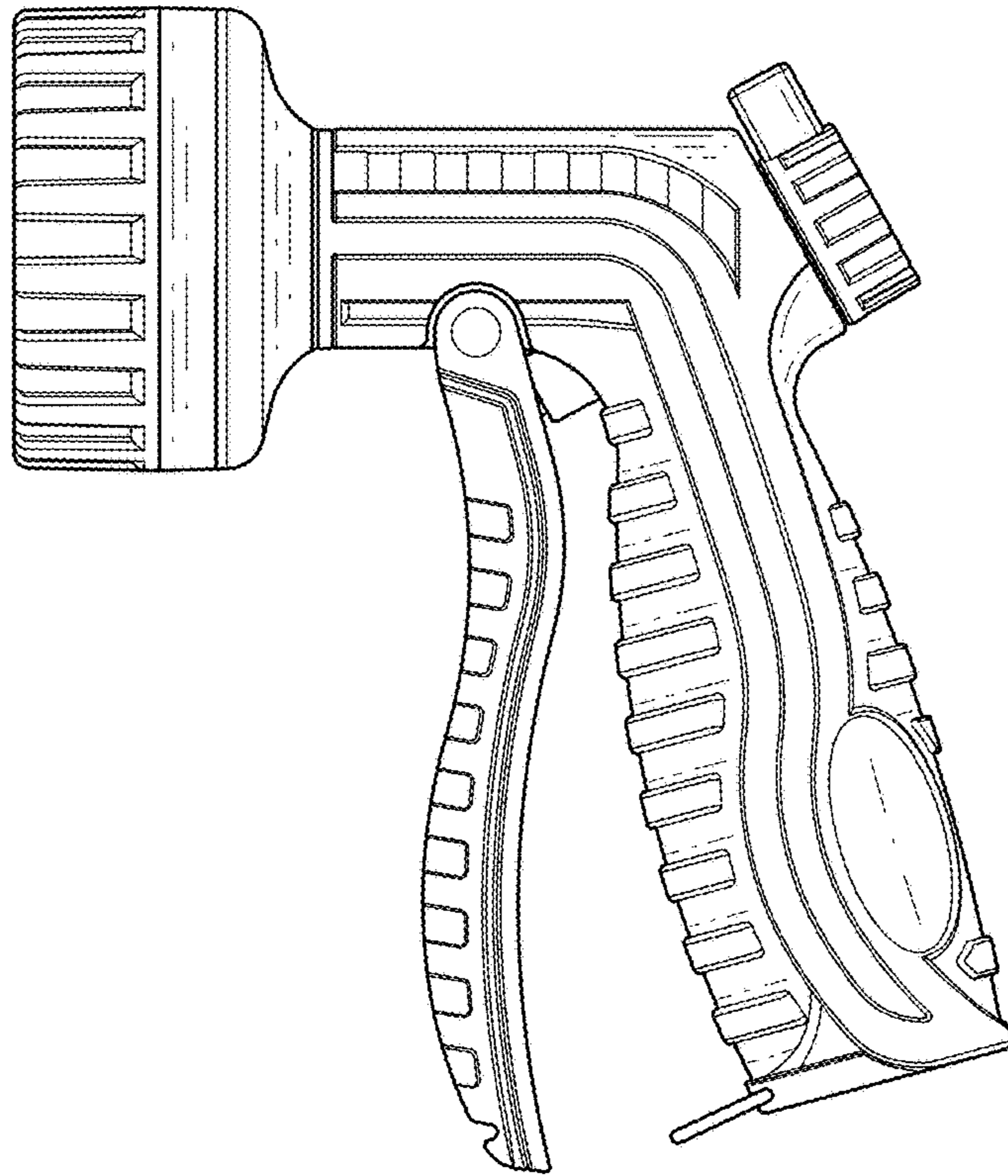


FIG. 2

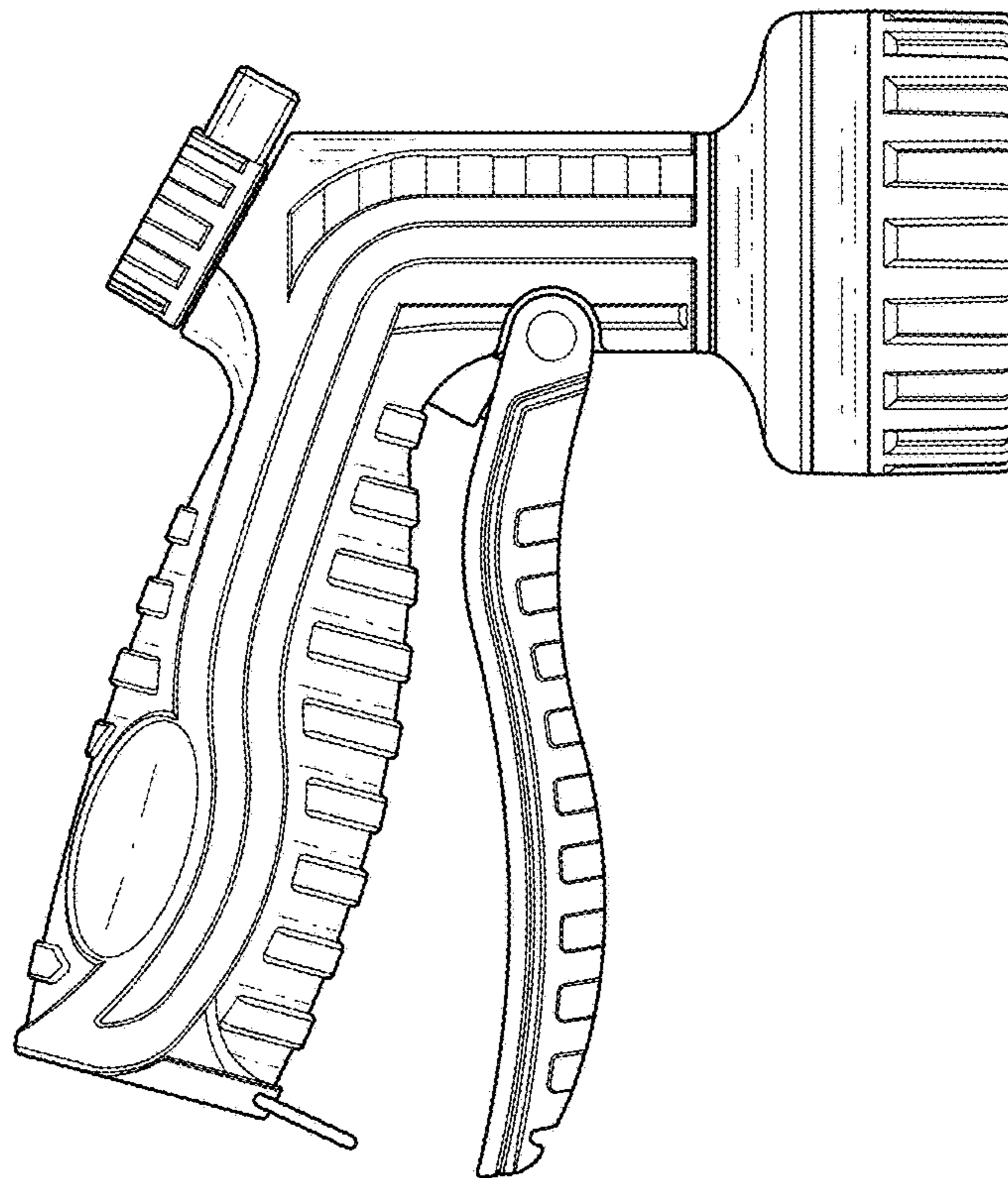


FIG. 3

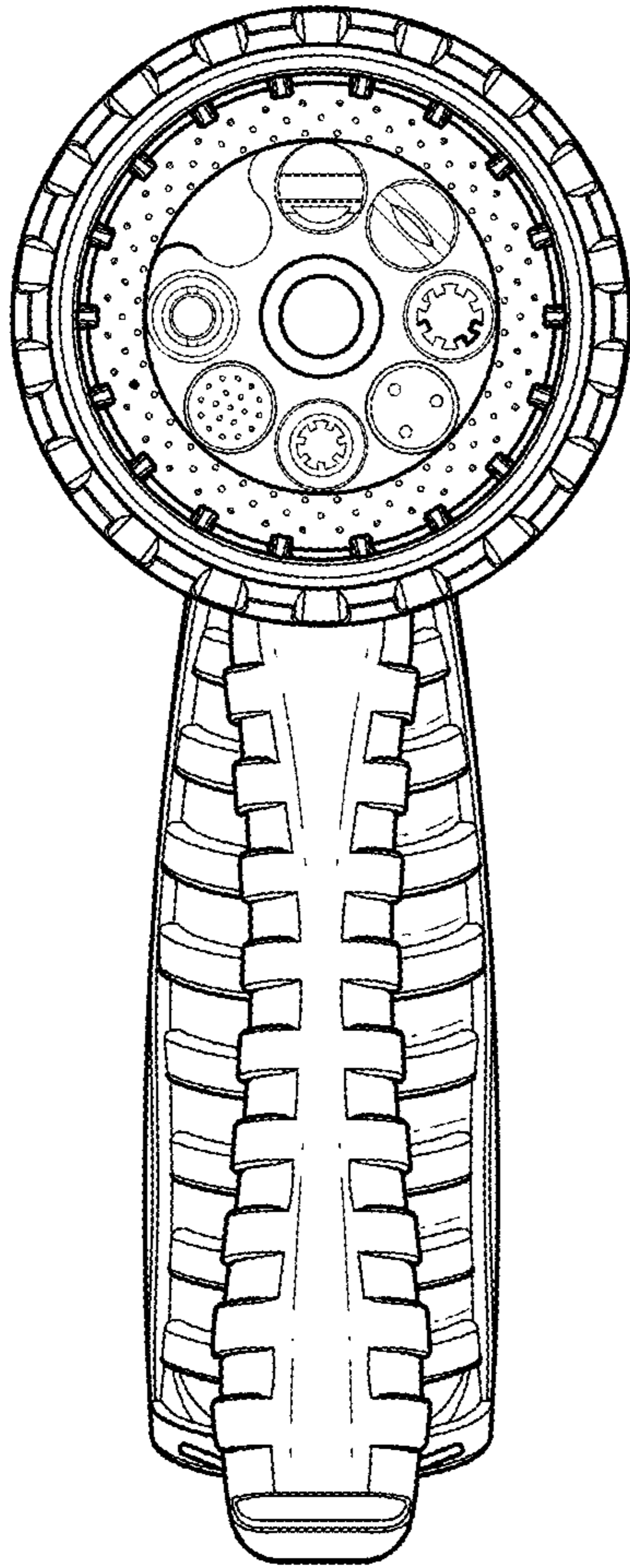


FIG. 4

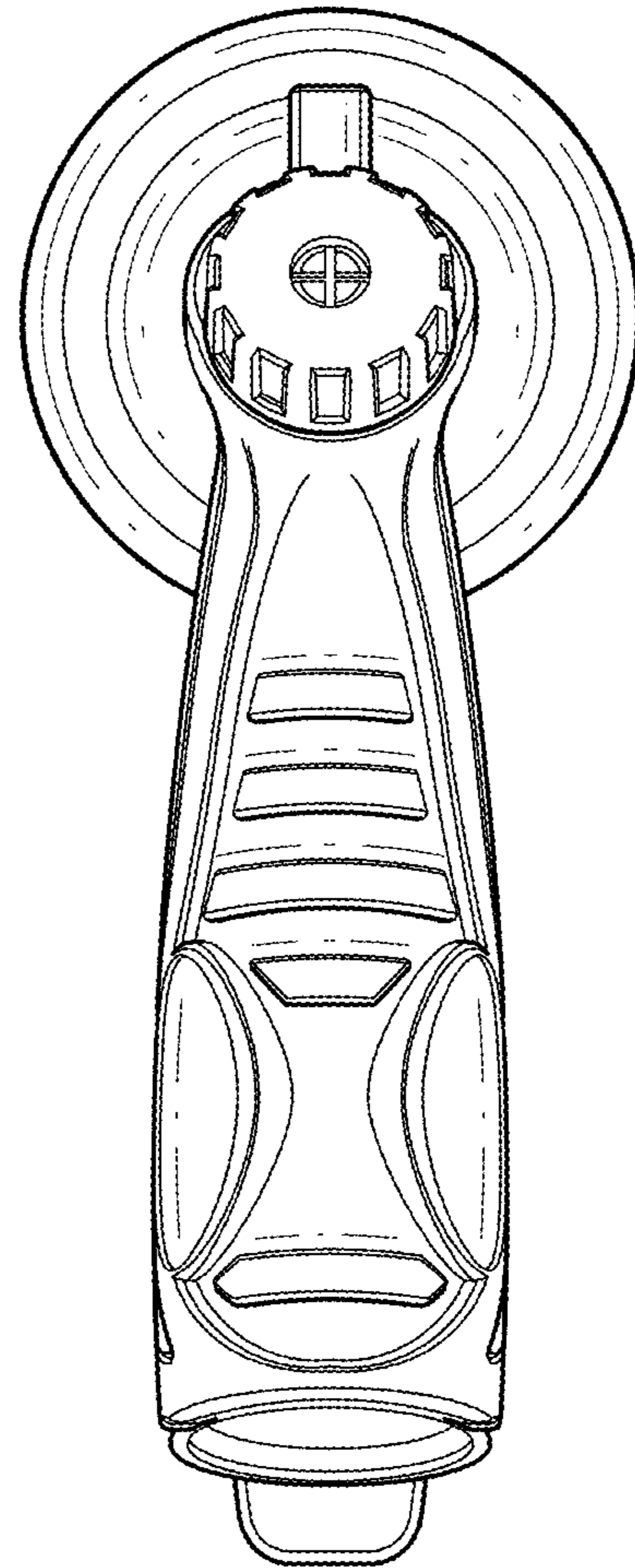


FIG. 5

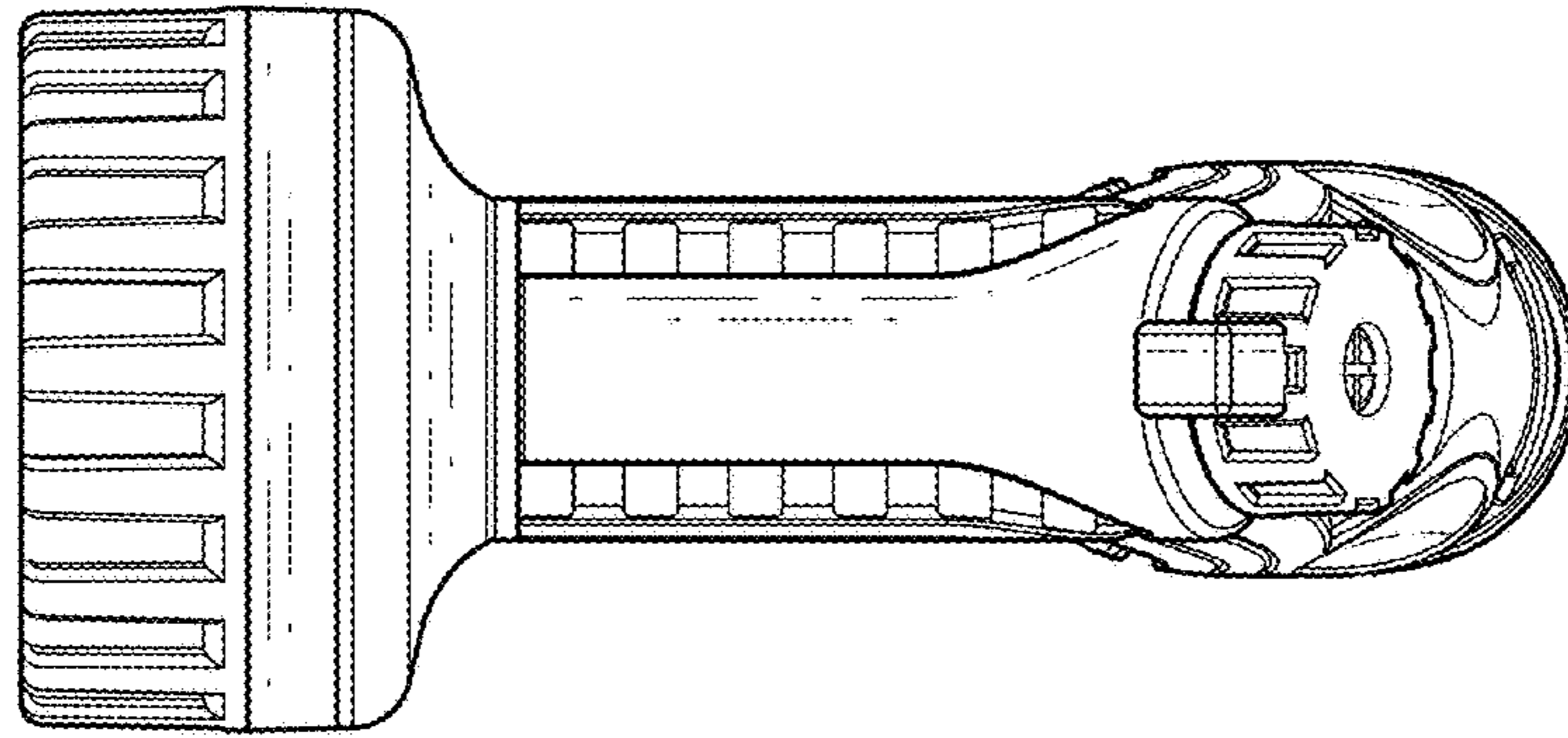


FIG. 6

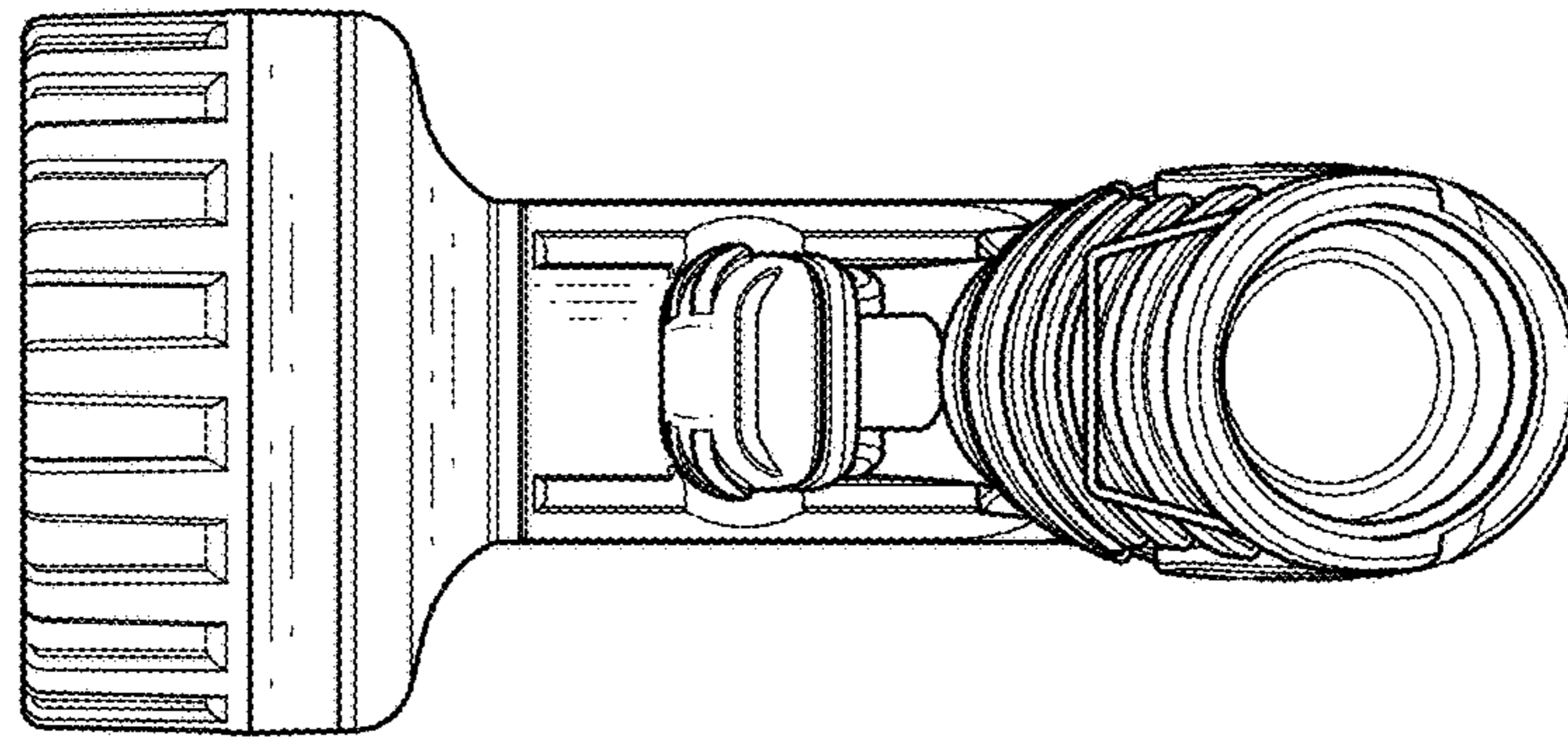


FIG. 7