



US00D780291S

(12) **United States Design Patent**  
**Schrum et al.**

(10) **Patent No.:** **US D780,291 S**

(45) **Date of Patent:** **\*\* Feb. 28, 2017**

(54) **SPRAYER TANK**

(71) Applicants: **Phillip B. Schrum**, Calirton, PA (US);  
**Mark A. Verosky**, Elizabeth, PA (US);  
**David J. Krygowski**, North  
Huntingdon, PA (US)

(72) Inventors: **Phillip B. Schrum**, Calirton, PA (US);  
**Mark A. Verosky**, Elizabeth, PA (US);  
**David J. Krygowski**, North  
Huntingdon, PA (US)

(73) Assignee: **Forefront Product Design, LLC**, East  
Pittsburgh, PA (US)

(\*\*) Term: **15 Years**

(21) Appl. No.: **29/543,011**

(22) Filed: **Oct. 20, 2015**

(51) **LOC (10) Cl.** ..... **23-01**

(52) **U.S. Cl.**  
USPC ..... **D23/225**

(58) **Field of Classification Search**  
USPC ..... D23/213, 202, 225; 239/302, 308, 310,  
239/332-3  
CPC .... B05B 7/2408; B05B 7/2421; B05B 9/0861  
See application file for complete search history.

(56) **References Cited**

**U.S. PATENT DOCUMENTS**

D391,626 S \* 3/1998 Spriegel ..... D23/205  
D431,279 S \* 9/2000 Spriegel ..... D23/202  
D528,632 S \* 9/2006 Leer ..... D23/225

D529,129 S \* 9/2006 Leer ..... D23/225  
D582,512 S \* 12/2008 Fontaine ..... D23/202  
7,513,443 B2 \* 4/2009 Escoto, Jr. .... B05B 7/2481  
215/11.1  
D728,068 S \* 4/2015 Delorme ..... D23/202  
D741,452 S \* 10/2015 Carrozza ..... D23/225

\* cited by examiner

*Primary Examiner* — Robin V Webster

(74) *Attorney, Agent, or Firm* — Cohen & Grigsby, PC

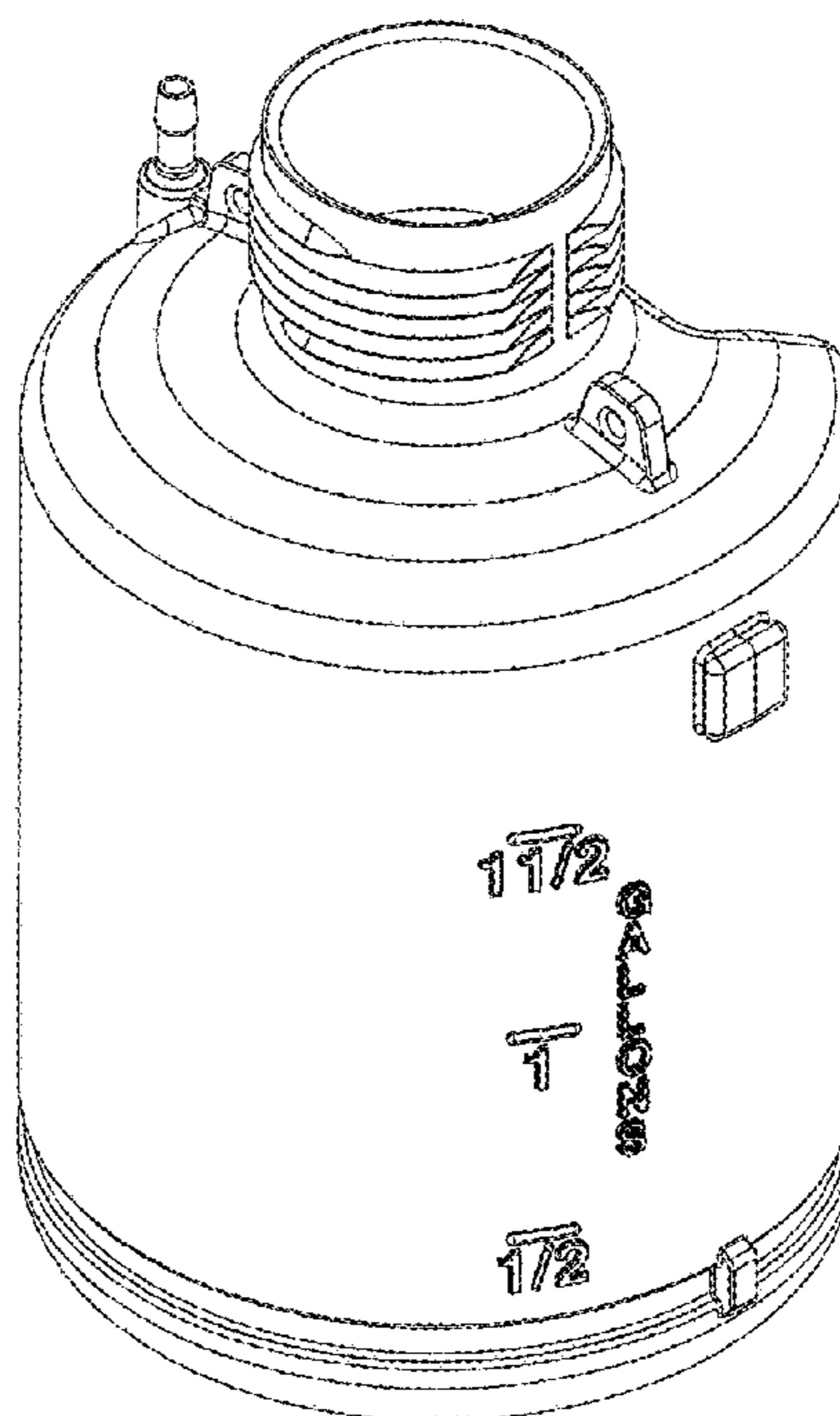
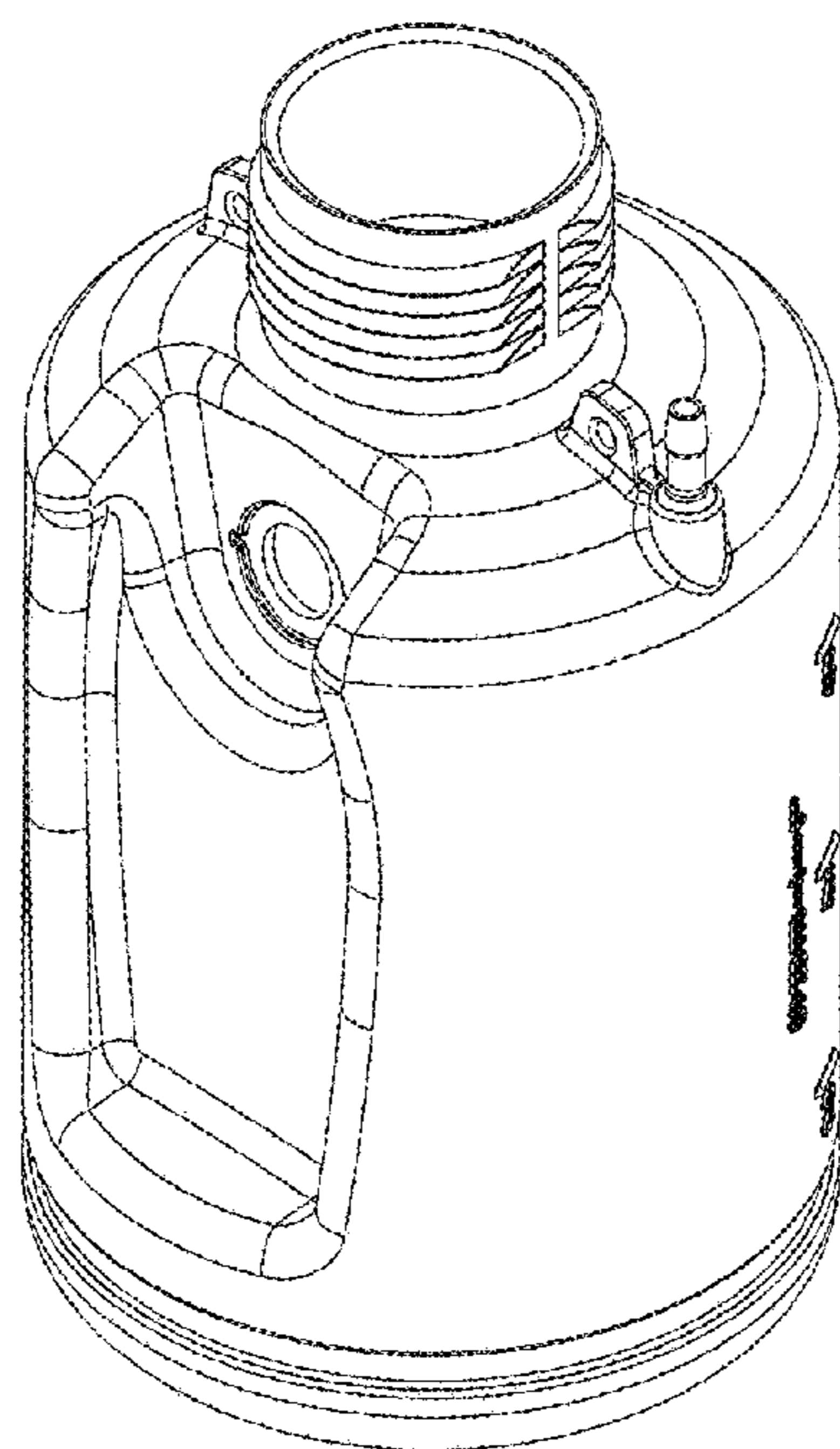
(57) **CLAIM**

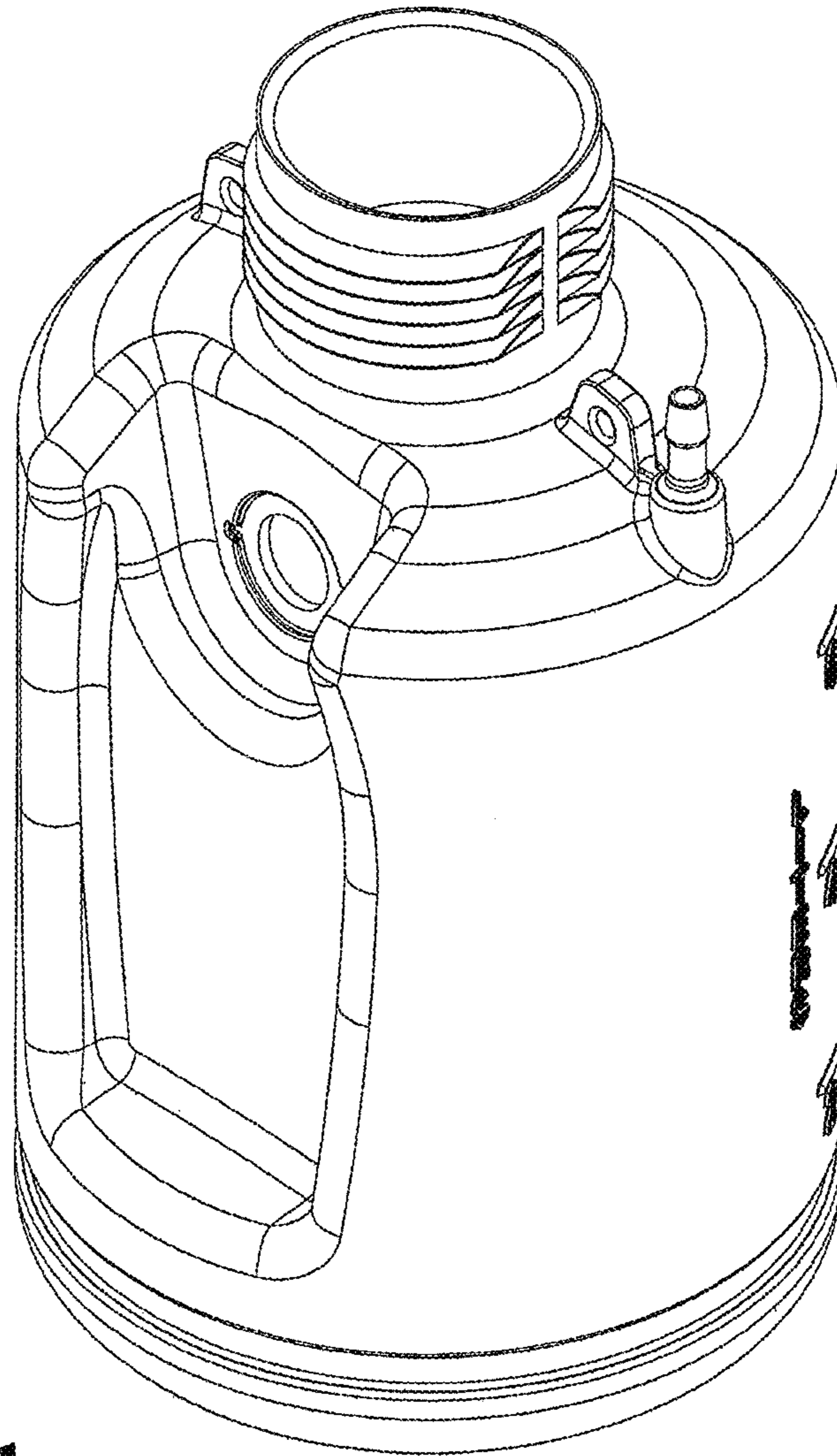
The ornamental design for a sprayer tank, as shown and described.

**DESCRIPTION**

FIG. 1 is a front perspective view of the sprayer tank.  
FIG. 2 is a rear perspective view of the sprayer tank.  
FIG. 3 is a front view of the sprayer tank.  
FIG. 4 is a rear of the sprayer tank.  
FIG. 5 is a bottom view of the sprayer tank.  
FIG. 6 is a top view of the sprayer tank.  
FIG. 7 is a left side view of the sprayer tank; and,  
FIG. 8 is a right side view of the sprayer tank.

**1 Claim, 8 Drawing Sheets**





**FIG. 1**

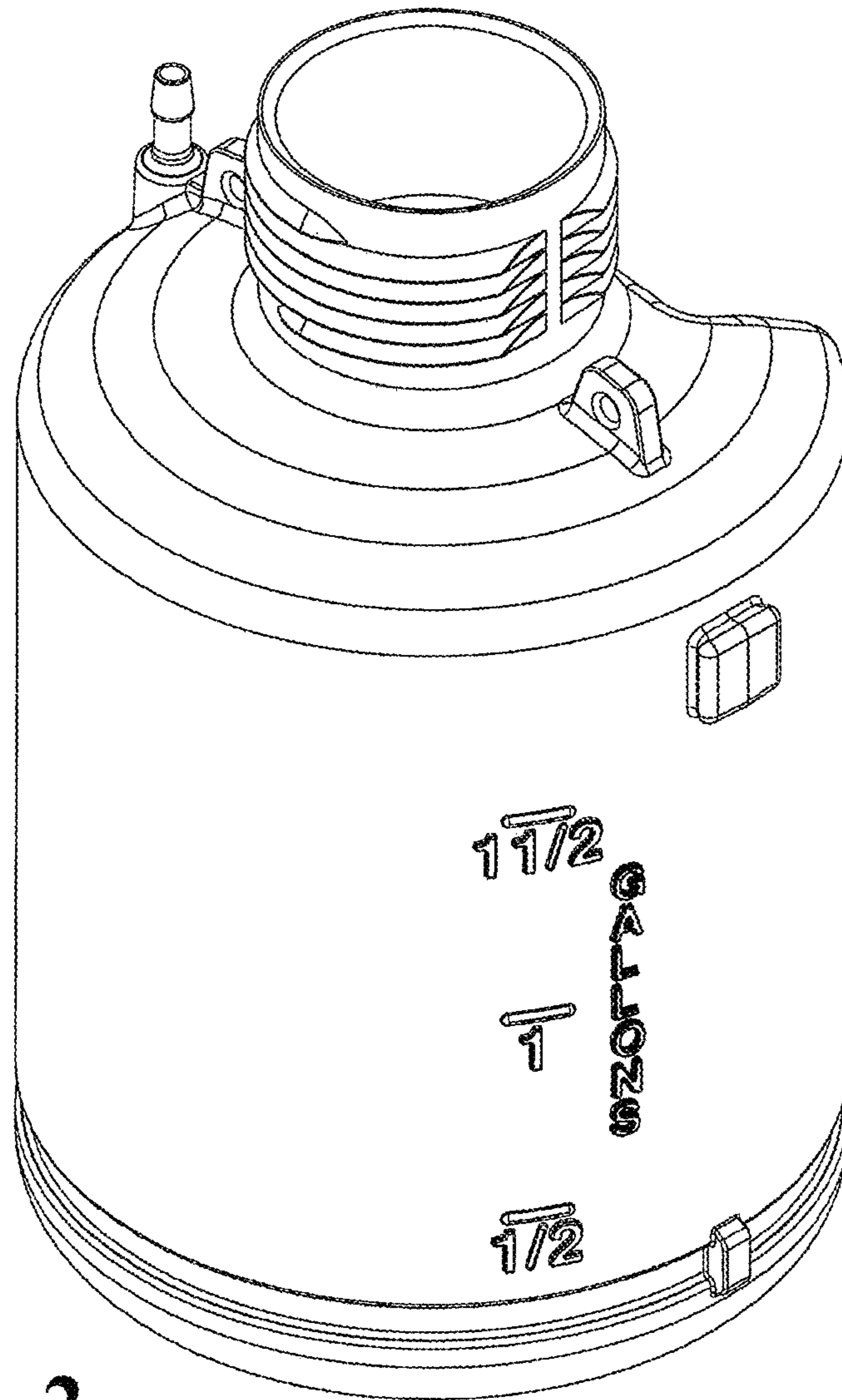
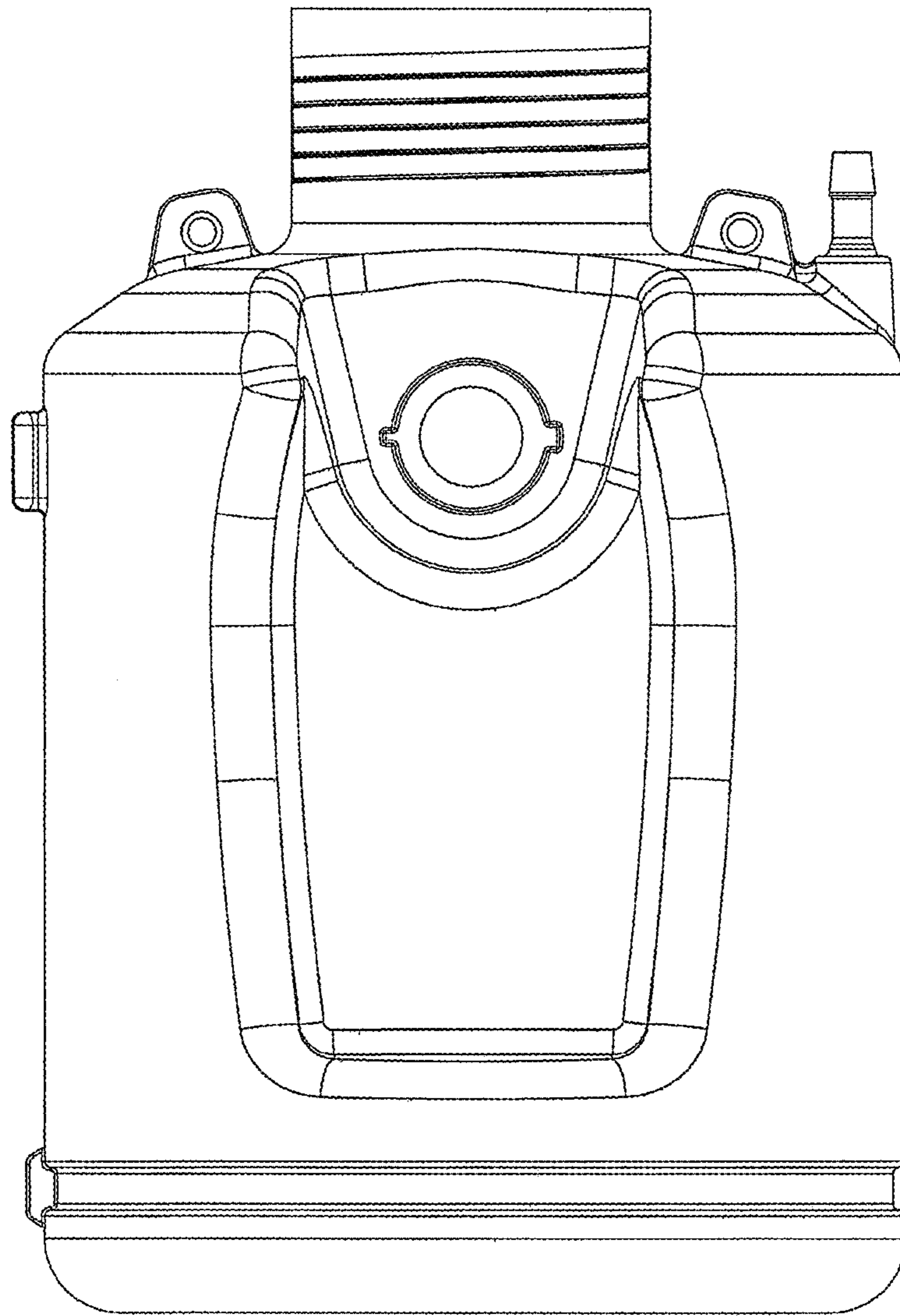


FIG. 2



**FIG. 3**

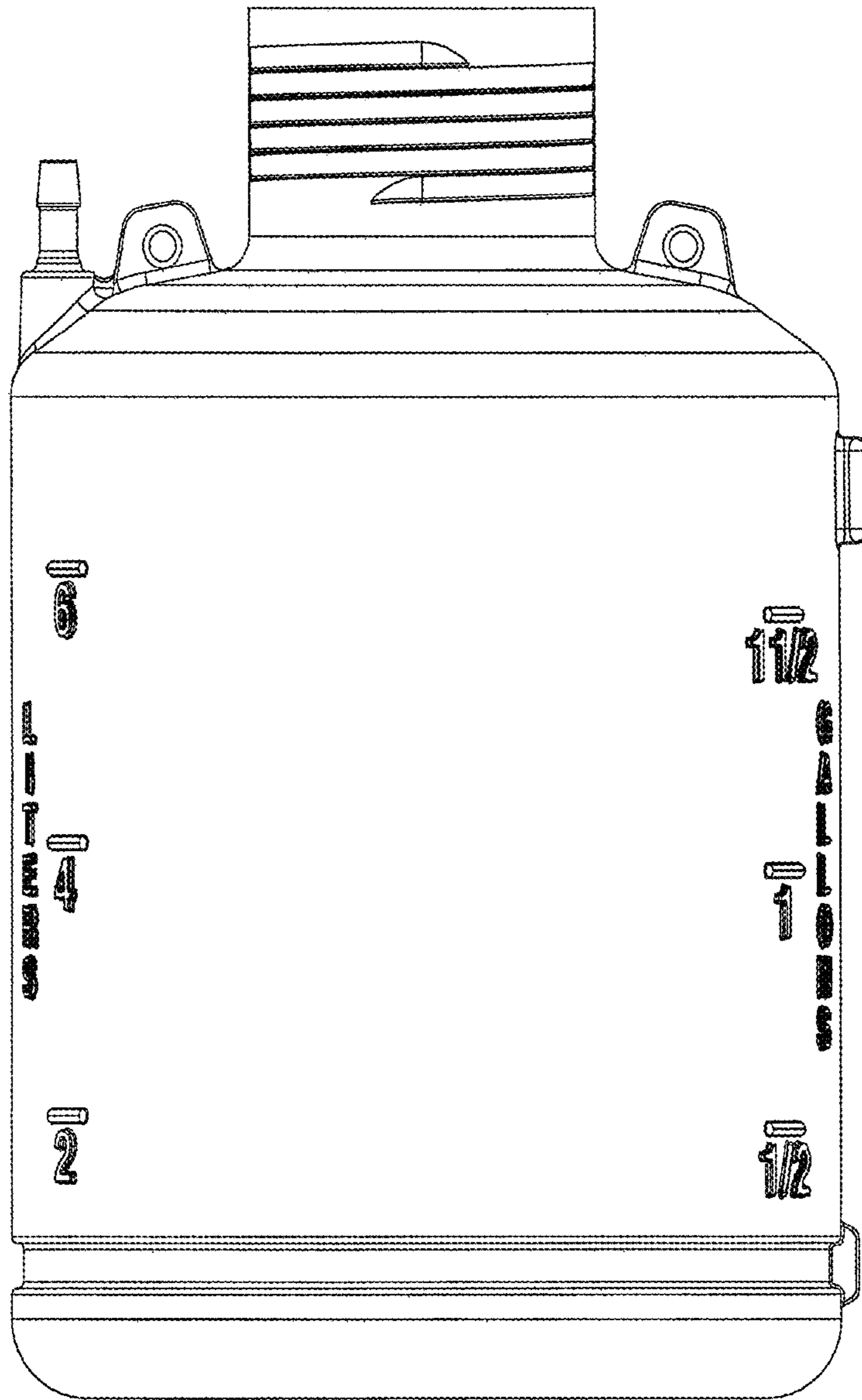
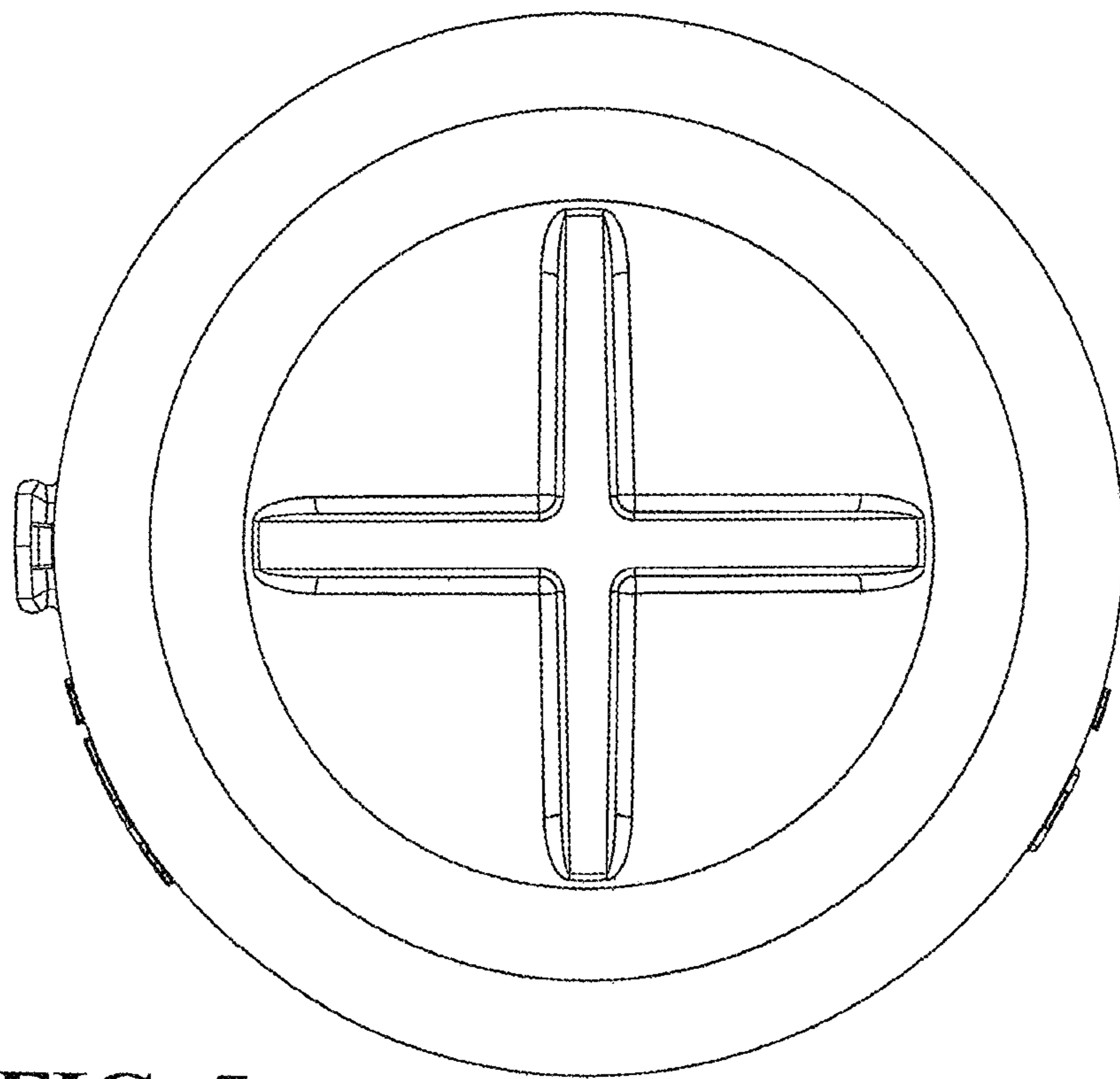
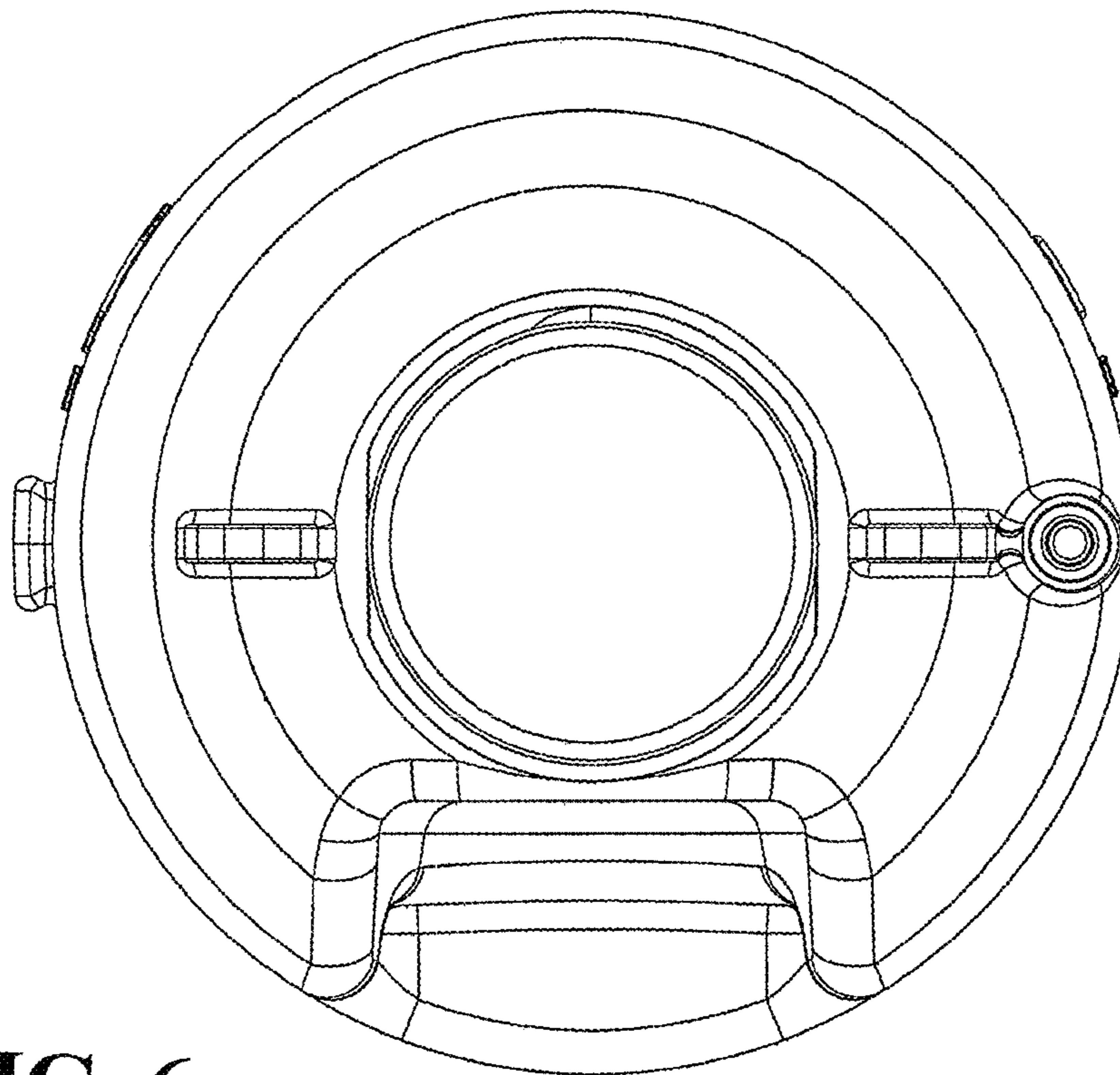


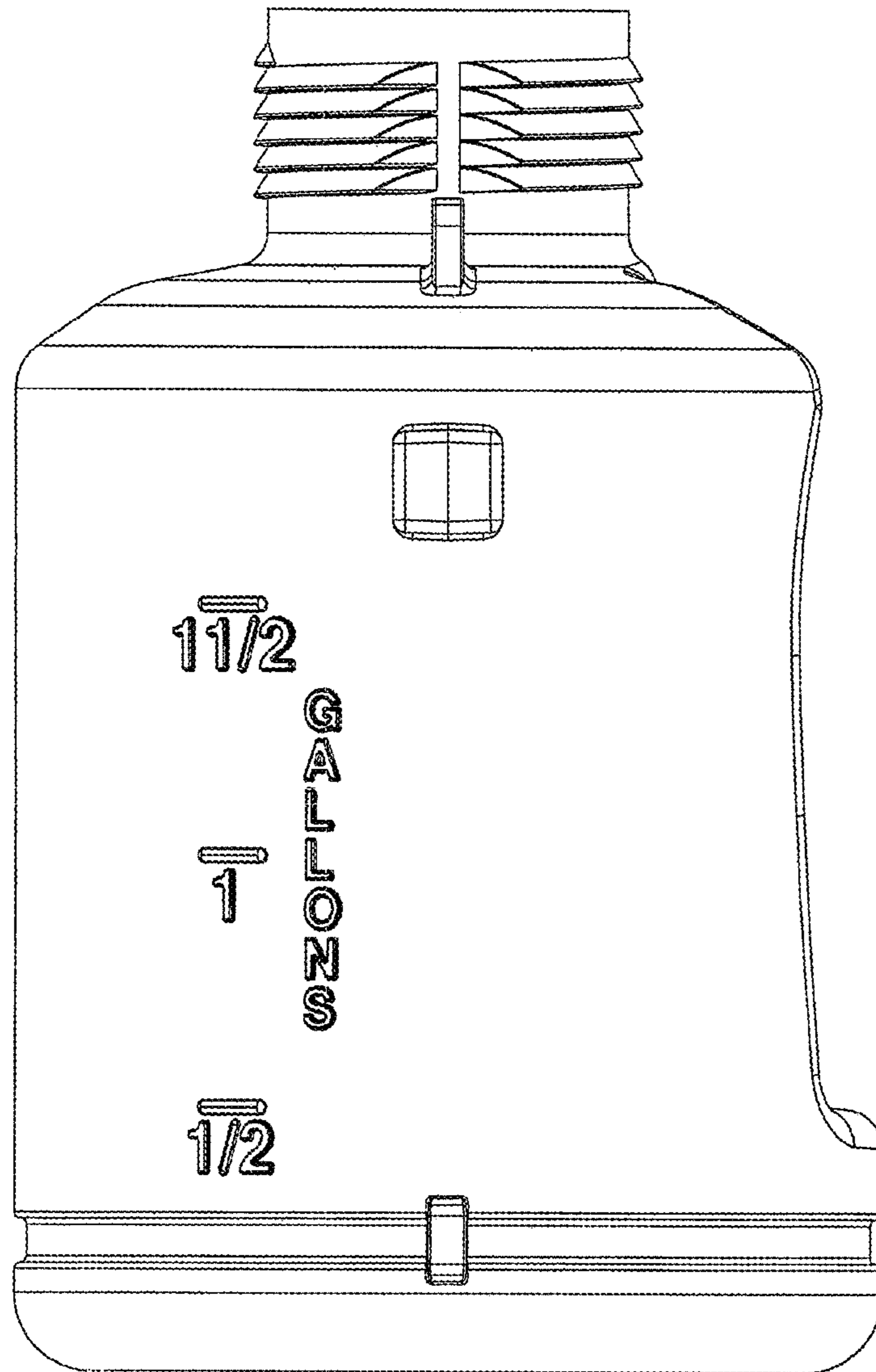
FIG. 4



**FIG. 5**

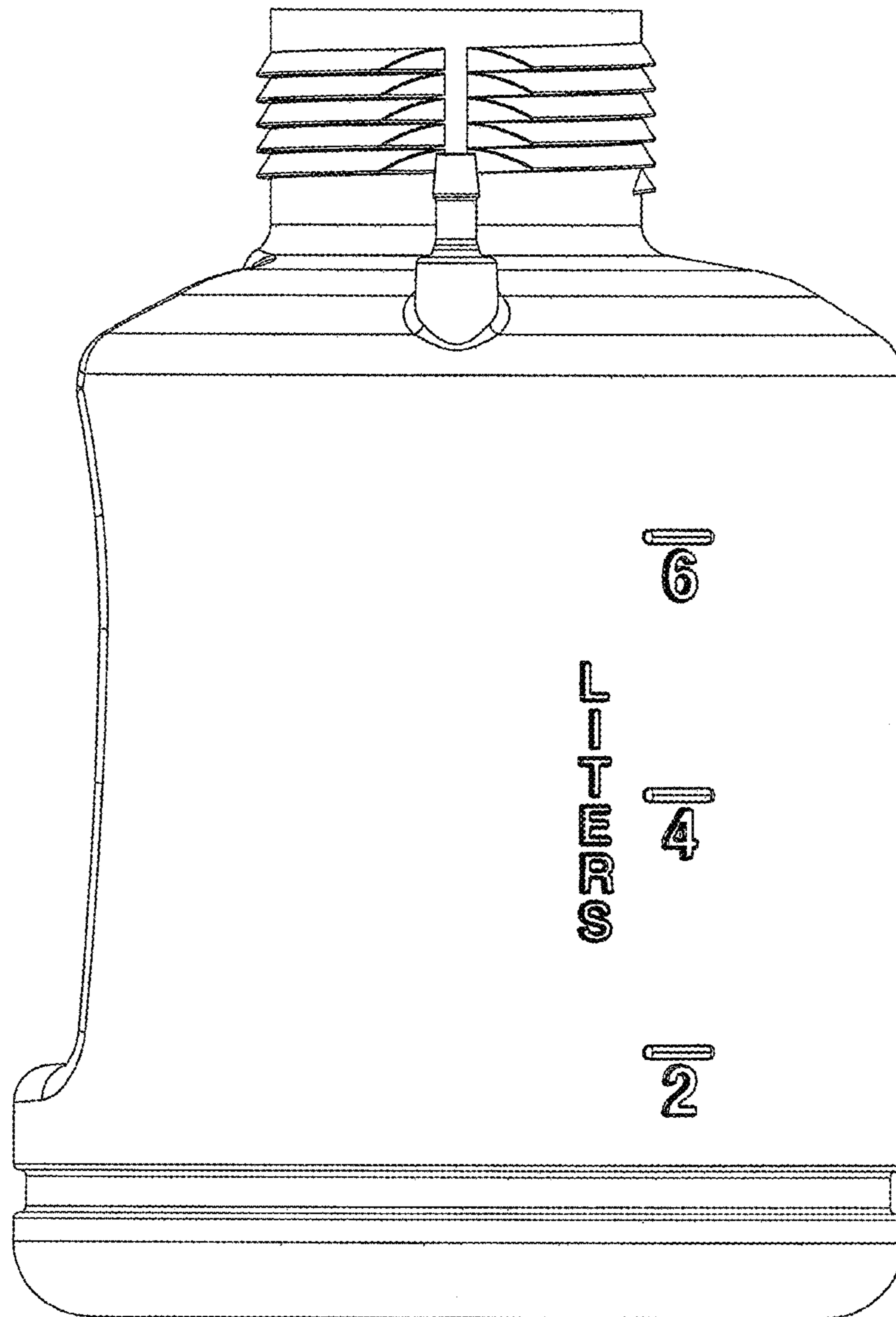


**FIG. 6**



**FIG. 7**





**FIG. 8**