



US00D780290S

(12) **United States Design Patent**
Näslund et al.

(10) **Patent No.:** **US D780,290 S**
(45) **Date of Patent:** **** Feb. 28, 2017**

(54) **SPRAY LANCE**

(71) Applicant: **HUSQVARNA AB**, Huskvarna (SE)

(72) Inventors: **Jens Näslund**, Spånga (SE); **Daniel Gunnarsson**, Danderyd (SE); **Gustav Landberg**, Trosa (SE); **Tor Sigurdson**, Stockholm (SE)

(73) Assignee: **HUSQVARNA AB**, Huskvarna (SE)

(**) Term: **15 Years**

(21) Appl. No.: **29/543,231**

(22) Filed: **Oct. 22, 2015**

(30) **Foreign Application Priority Data**

Apr. 22, 2015 (EM) 002686816-0009

(51) **LOC (10) Cl.** **23-01**

(52) **U.S. Cl.**
USPC **D23/223**

(58) **Field of Classification Search**
USPC D23/213, 223, 226; 239/525-526, 532
CPC B05B 15/061; B05B 9/01; B05B 7/1209
See application file for complete search history.

(56) **References Cited**

U.S. PATENT DOCUMENTS

5,806,770 A	9/1998	Wang	
D456,487 S	4/2002	Bonzer	
D470,567 S *	2/2003	Alkalay D23/223
D479,302 S *	9/2003	Chen D23/213
D513,426 S *	1/2006	Chen D23/223
D559,354 S	1/2008	Chih	
D559,951 S	1/2008	Soriano et al.	
D592,731 S	5/2009	Hung	

D626,626 S	11/2010	Lee	
D636,058 S *	4/2011	Hung D23/223
D648,823 S *	11/2011	Hung D23/223
D700,278 S	2/2014	Bollerod	
D746,945 S	1/2016	Näslund	

(Continued)

FOREIGN PATENT DOCUMENTS

AU	356866 A	8/2014
CA	157903 S	7/2015

(Continued)

Primary Examiner — Robin V Webster

(74) *Attorney, Agent, or Firm* — Nelson Mullins Riley & Scarborough LLP

(57) **CLAIM**

The ornamental design for the spray lance, as shown and described.

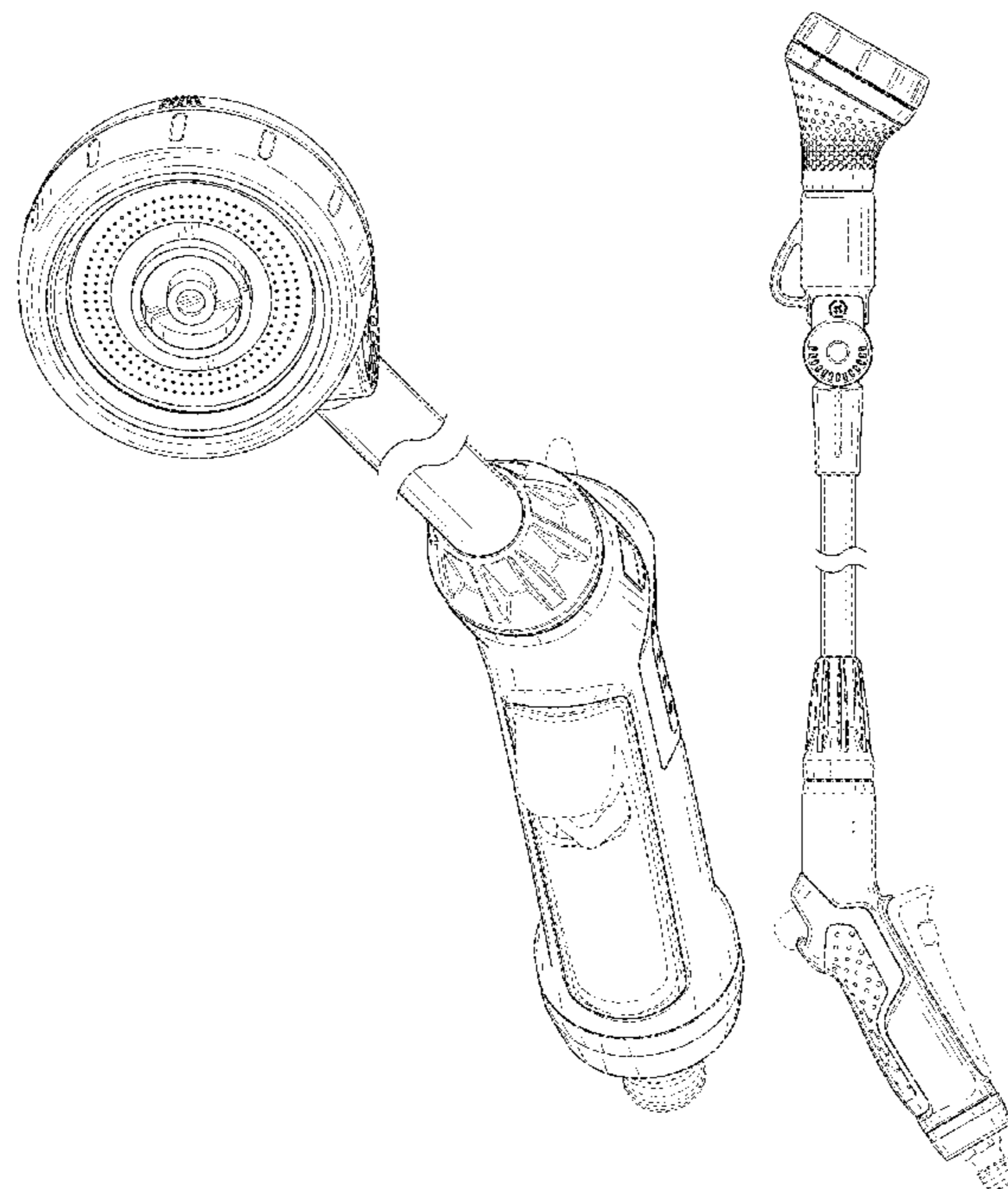
DESCRIPTION

FIG. 1 is a perspective view of a spray lance in accordance with an embodiment of the present invention;
FIG. 2 is a bottom view of the spray lance of FIG. 1;
FIG. 3 is a top view of the spray lance of FIG. 1;
FIG. 4 is a left side view of the spray lance of FIG. 1;
FIG. 5 is a right side view of the spray lance of FIG. 1;
FIG. 6 is a front view of the spray lance of FIG. 1; and,
FIG. 7 is a back view of the spray lance of FIG. 1.

The spray lance is shown fragmented to indicate non-specified length.

The broken lines of FIGS. 1-7 are illustrative of the visible environmental structure of the spray lance and form no part of the claimed design.

1 Claim, 4 Drawing Sheets



(56)

References Cited

U.S. PATENT DOCUMENTS

D746,946 S 1/2016 Näslund
D746,947 S 1/2016 Näslund
D747,441 S * 1/2016 Naslund D23/223
D760,349 S * 6/2016 Chen D23/223

FOREIGN PATENT DOCUMENTS

CA 157904 S 7/2015
EM 24244650035 A1 3/2016
JP 1521416 S 4/2015
JP 1521428 S 4/2015
JP 1521694 S 4/2015
JP 1548795 S 5/2016
JP 1548796 S 5/2016
JP 1548802 S 5/2016
JP 1548803 S 5/2016
JP 1549029 S 5/2016
JP 1549031 S 5/2016
JP 1549032 S 5/2016
JP 1549034 S 5/2016
TW D589094 A 5/2004
TW D118254 A 7/2007
TW D128011 A 3/2009
TW D130862 A 9/2009
TW D166729 A 3/2015
TW D166732 A 3/2015

* cited by examiner

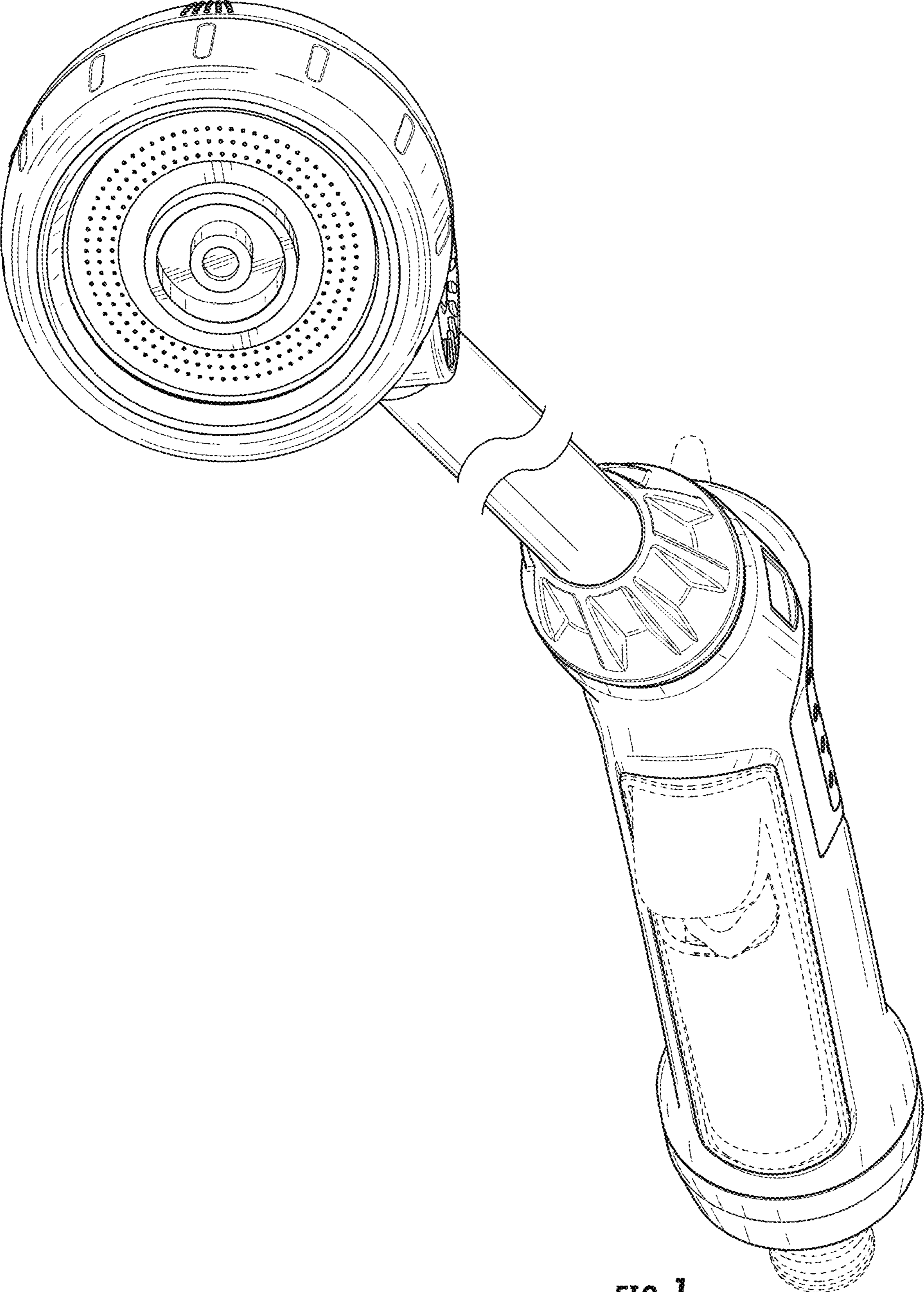


FIG. 1

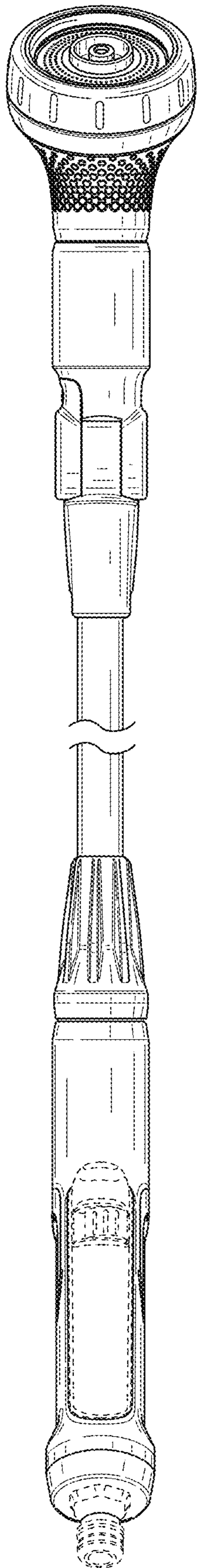


FIG. 2

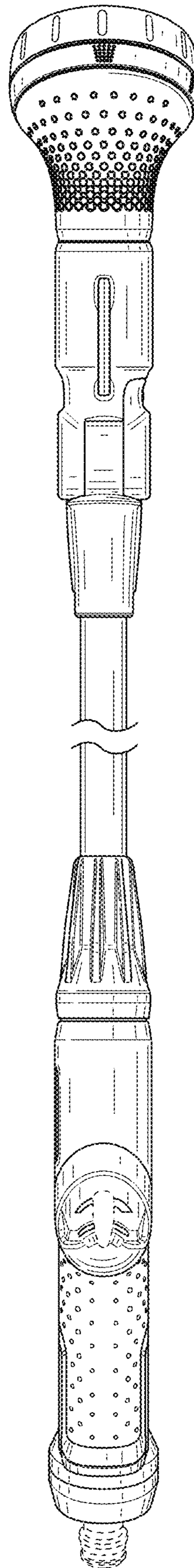
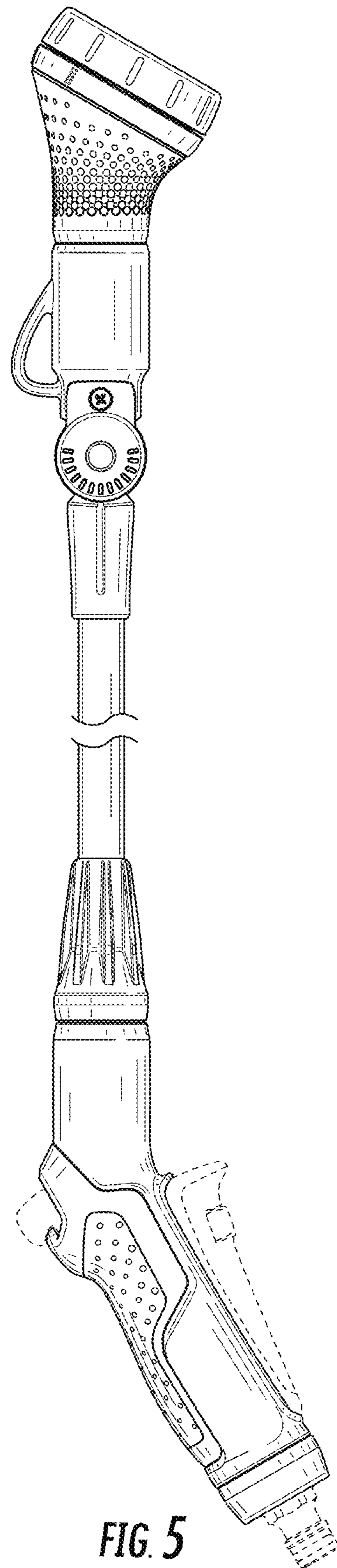
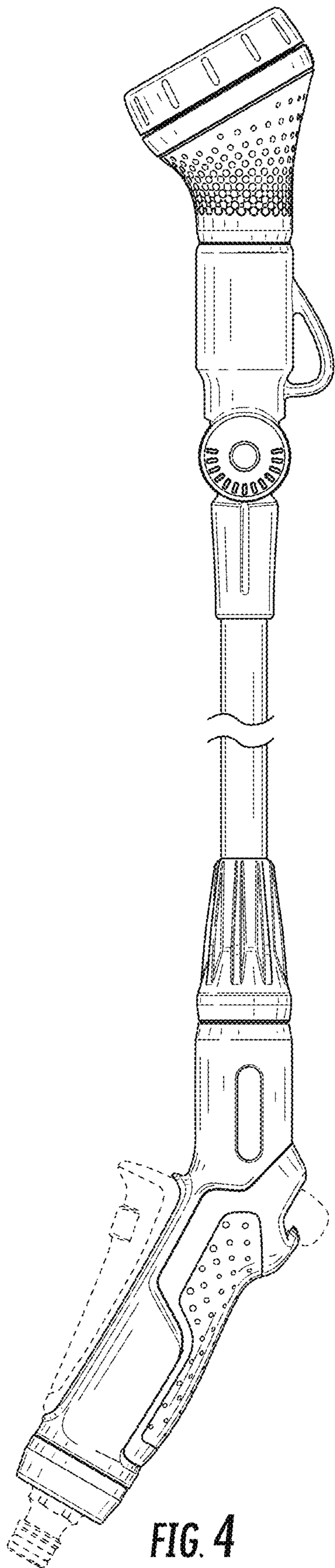


FIG. 3



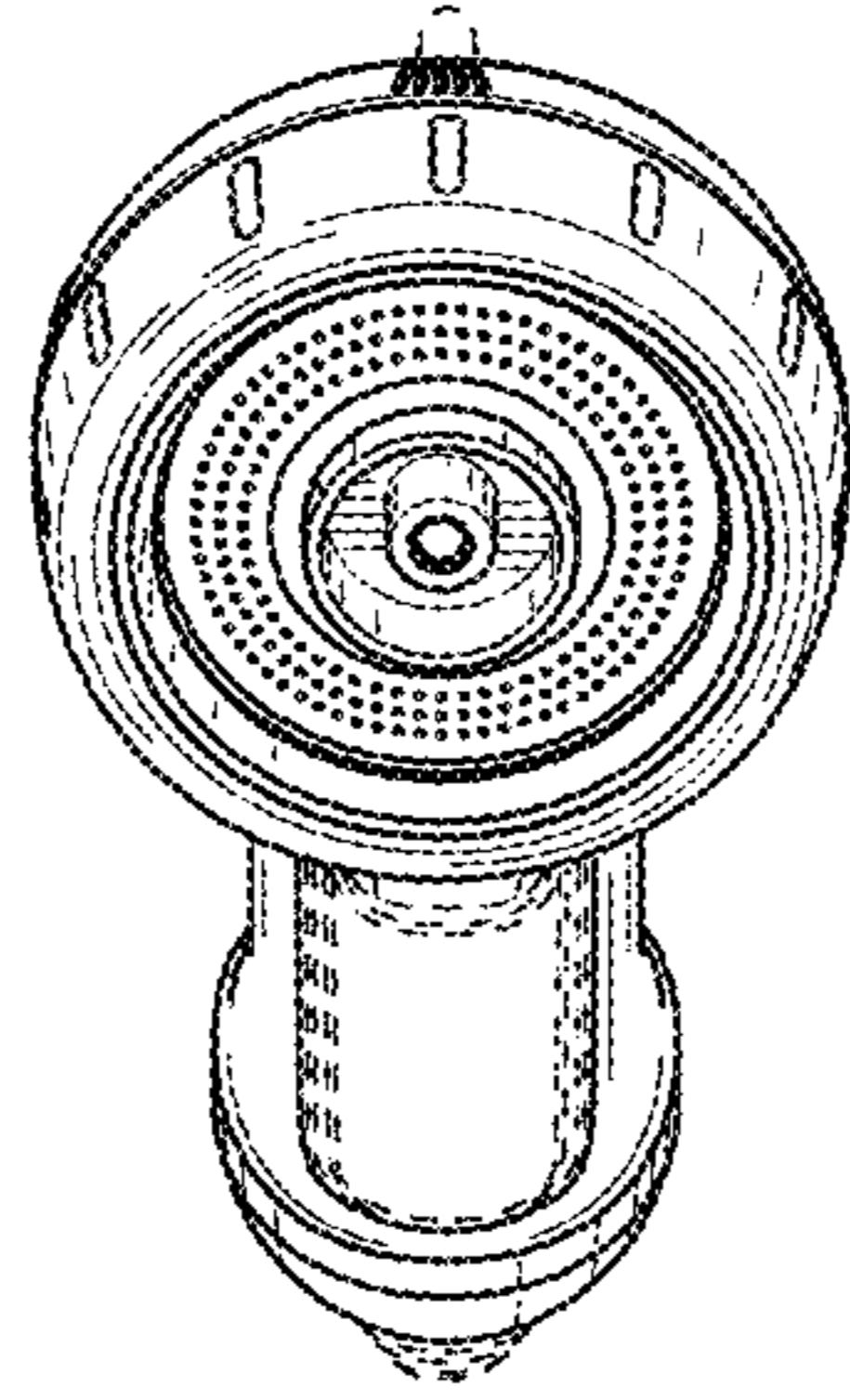


FIG. 6

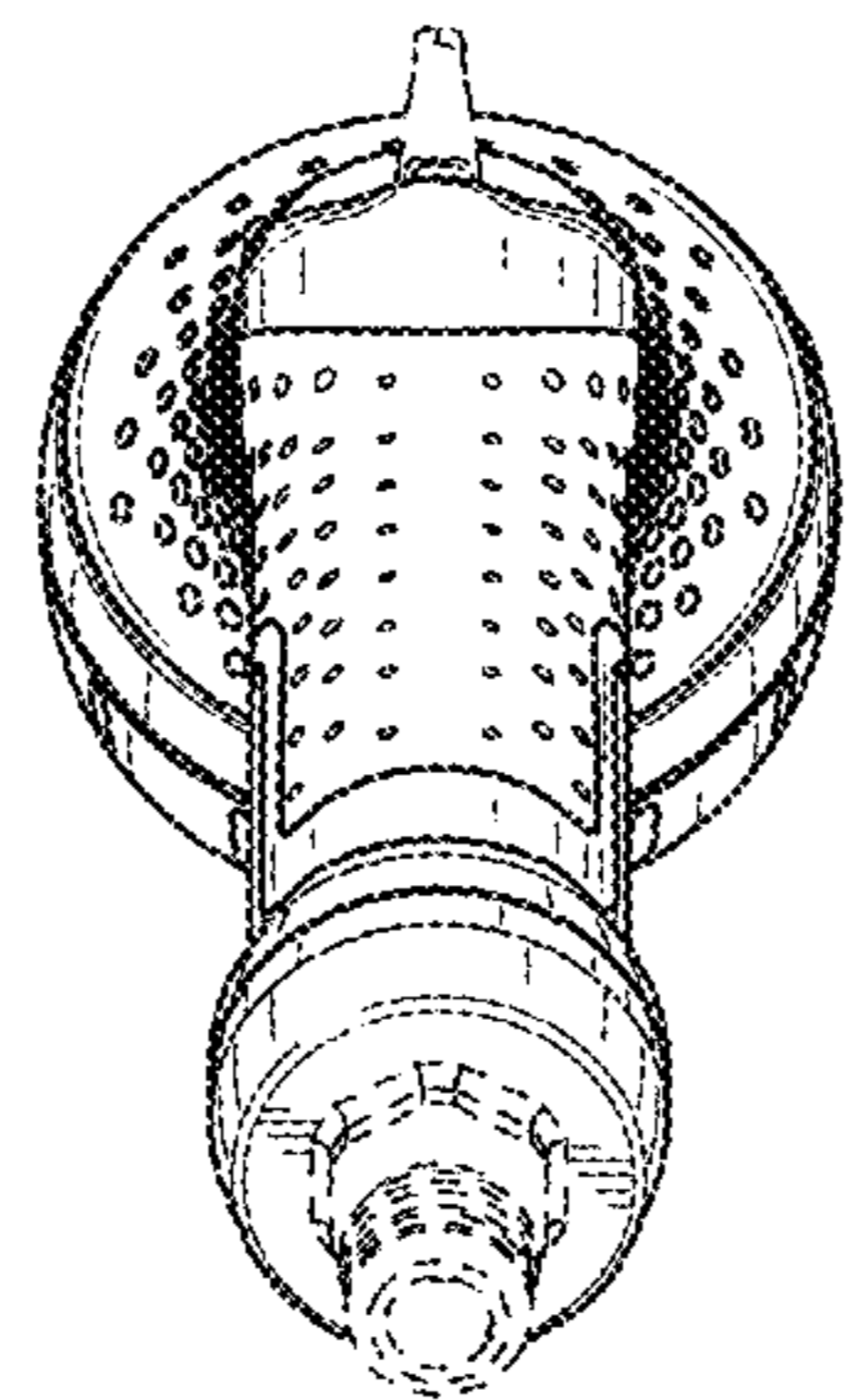


FIG. 7