



US00D780289S

(12) **United States Design Patent**
Näslund et al.

(10) **Patent No.:** **US D780,289 S**
(45) **Date of Patent:** **** Feb. 28, 2017**

- (54) **BASKET SPRAY LANCE**
- (71) Applicant: **HUSQVARNA AB**, Huskvarna (SE)
- (72) Inventors: **Jens Näslund**, Spånga (SE); **Daniel Gunnarsson**, Danderyd (SE); **Gustav Landberg**, Trosa (SE); **Tor Sigurdson**, Stockholm (SE)
- (73) Assignee: **HUSQVARNA AB**, Huskvarna (SE)
- (**) Term: **15 Years**
- (21) Appl. No.: **29/543,225**
- (22) Filed: **Oct. 22, 2015**
- (30) **Foreign Application Priority Data**

Apr. 22, 2015 (EM) 002686816-0007

- (51) **LOC (10) Cl.** **23-01**
- (52) **U.S. Cl.**
USPC **D23/223**
- (58) **Field of Classification Search**
USPC D23/213, 223, 226; 239/525-526, 532
CPC B05B 15/061; B05B 9/01; B05B 7/1209
See application file for complete search history.

(56) **References Cited**
U.S. PATENT DOCUMENTS

| | | | |
|--------------|--------|---------|---------------|
| 5,806,770 A | 9/1998 | Wang | |
| D456,487 S | 4/2002 | Bonzer | |
| D470,567 S * | 2/2003 | Alkalay | D23/223 |
| D479,302 S * | 9/2003 | Chen | D23/213 |
| D513,426 S * | 1/2006 | Chen | D23/223 |
| D559,354 S | 1/2008 | Chih | |
| D559,951 S | 1/2008 | Soriano | |
| D592,731 S | 5/2009 | Hung | |

| | | | |
|--------------|---------|----------|---------------|
| D626,626 S | 11/2010 | Lee | |
| D636,058 S * | 4/2011 | Hung | D23/223 |
| D648,823 S * | 11/2011 | Hung | D23/223 |
| D700,278 S | 2/2014 | Bollerod | |
| D746,945 S | 1/2016 | Näslund | |

(Continued)

FOREIGN PATENT DOCUMENTS

| | | |
|----|----------|--------|
| AU | 356866 A | 8/2014 |
| CA | 157903 S | 7/2015 |

(Continued)

Primary Examiner — Robin V Webster
(74) *Attorney, Agent, or Firm* — Nelson Mullins Riley & Scarborough LLP

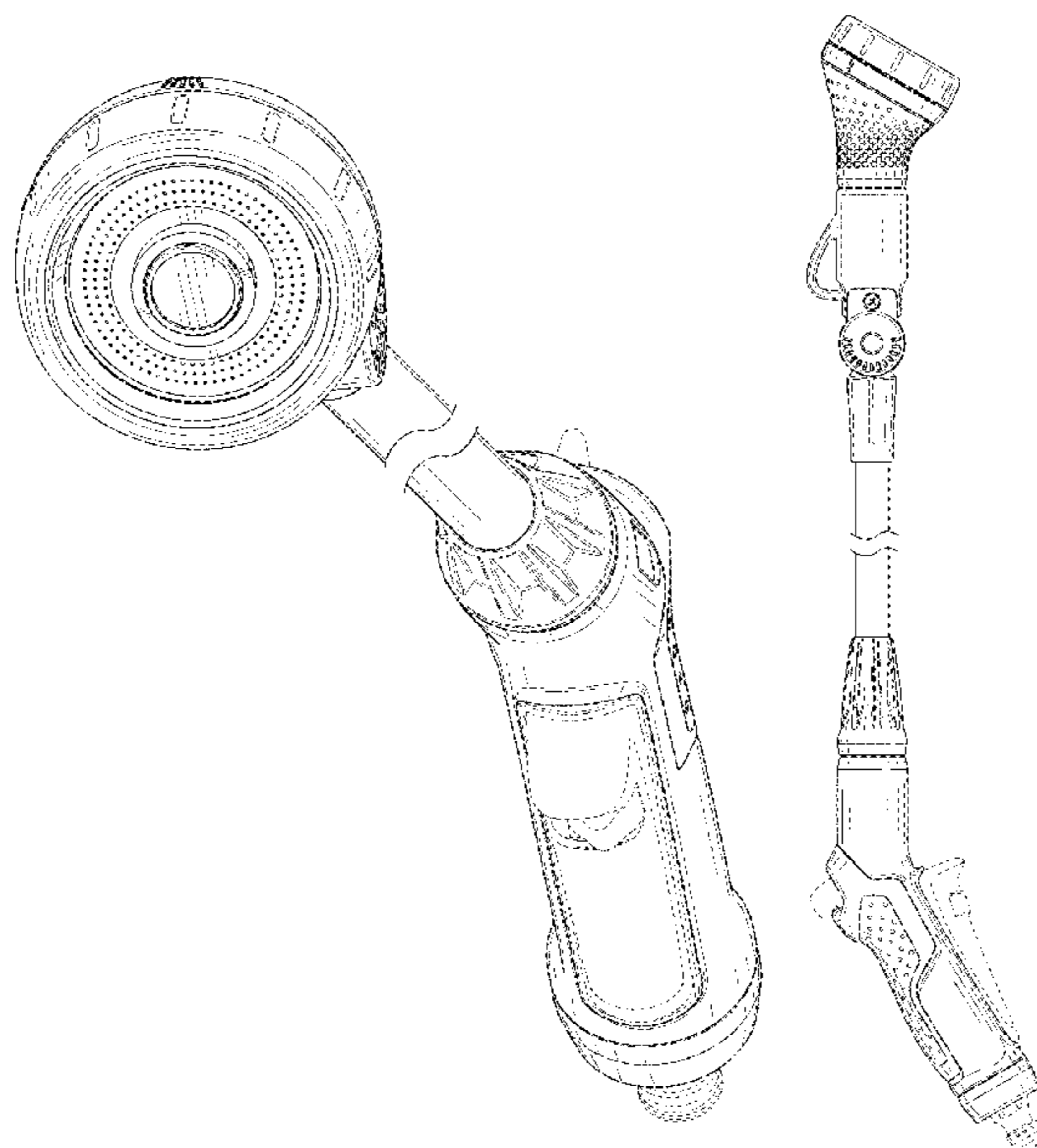
(57) **CLAIM**

The ornamental design for the basket spray lance, as shown and described.

DESCRIPTION

FIG. 1 is a perspective view of a basket spray lance in accordance with an embodiment of the present invention; FIG. 2 is a bottom view of the basket spray lance of FIG. 1; FIG. 3 is a top view of the basket spray lance of FIG. 1; FIG. 4 is a left side view of the basket spray lance of FIG. 1; FIG. 5 is a right side view of the basket spray lance of FIG. 1; FIG. 6 is a front view of the basket spray lance of FIG. 1; and, FIG. 7 is a back view of the basket spray lance of FIG. 1. The spray lance is shown fragmented to indicate non-specified length. The broken lines of FIGS. 1-7 are illustrative of the visible environmental structure of the basket spray lance and form no part of the claimed design.

1 Claim, 4 Drawing Sheets



(56)

References Cited

U.S. PATENT DOCUMENTS

D746,946 S 1/2016 Näslund
D746,947 S 1/2016 Näslund
D747,441 S * 1/2016 Naslund D23/223
D760,349 S * 6/2016 Chen D23/223

FOREIGN PATENT DOCUMENTS

CA 157904 S 7/2015
EP 24244650035 A1 3/2016
JP 1521416 S 4/2015
JP 1521428 S 4/2015
JP 1521694 S 4/2015
JP 1548795 S 5/2016
JP 1548796 S 5/2016
JP 1548802 S 5/2016
JP 1548803 S 5/2016
JP 1549029 A 5/2016
JP 1549031 S 5/2016
JP 1549032 S 5/2016
JP 1549034 S 5/2016
TW D589094 A 5/2004
TW D118254 A 7/2007
TW D128011 A 3/2009
TW D130862 A 9/2009
TW D166729 A 3/2015
TW D166732 A 3/2015

* cited by examiner

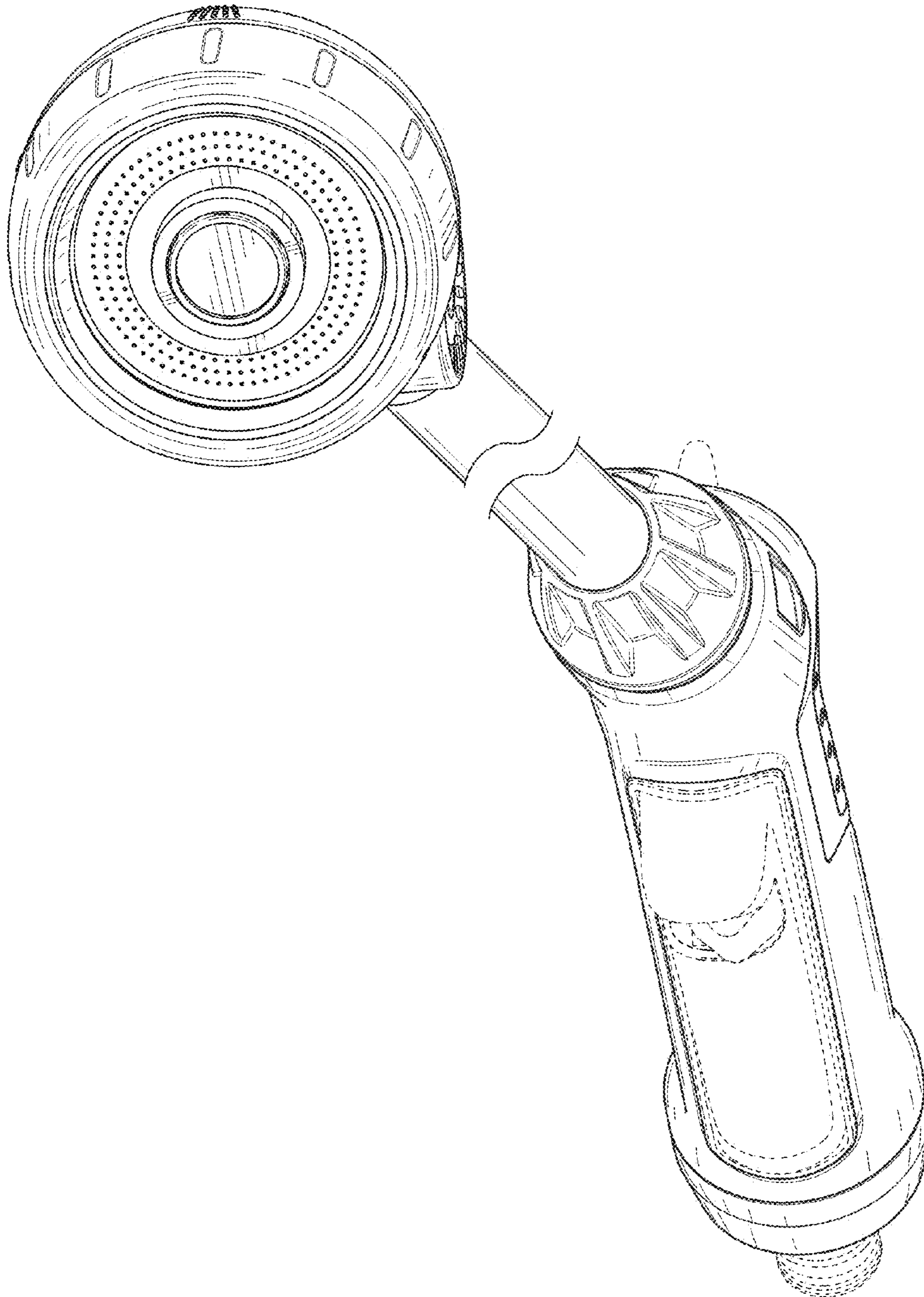


FIG. 1

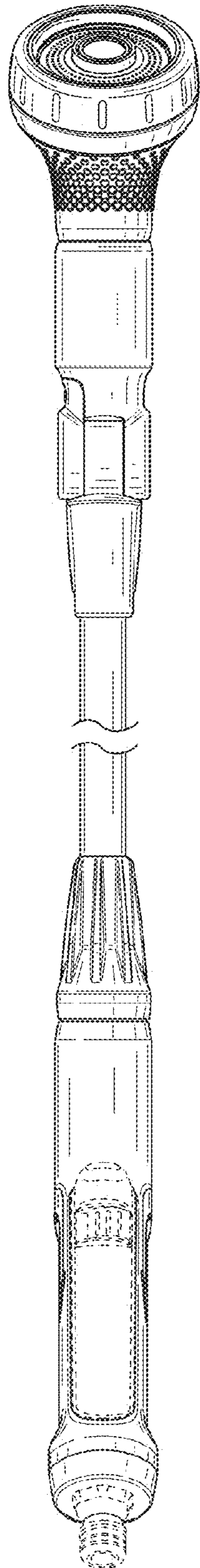


FIG. 2

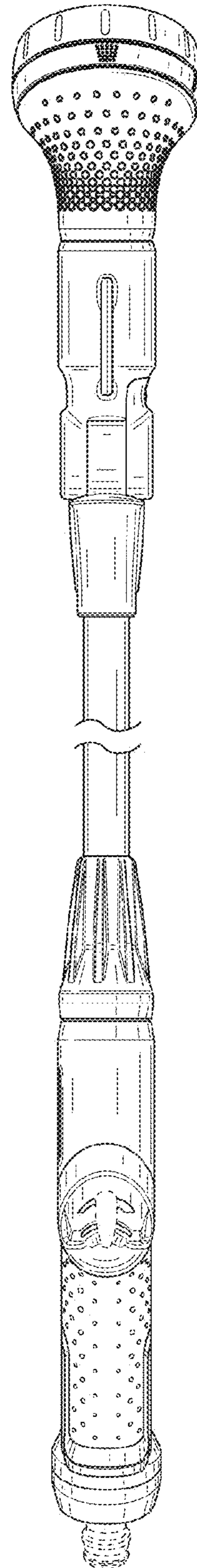


FIG. 3

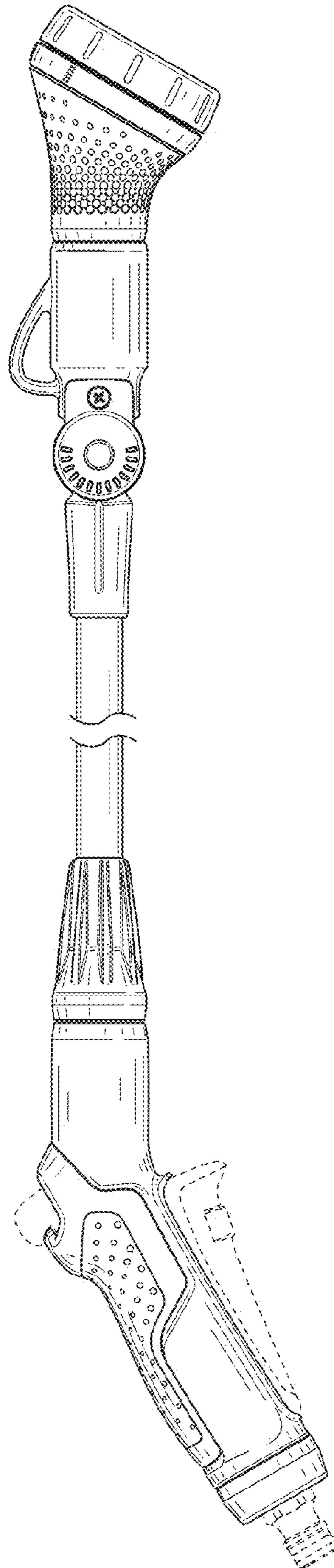
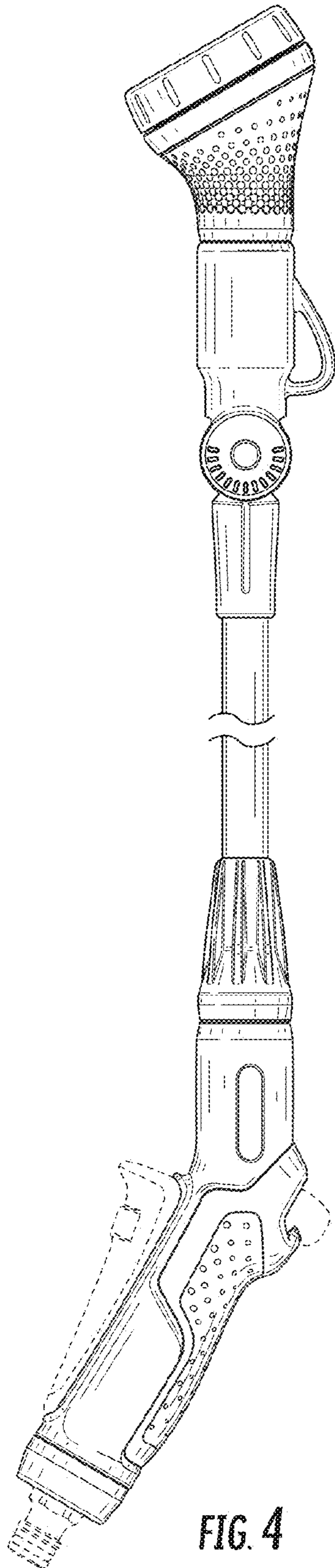


FIG. 4

FIG. 5

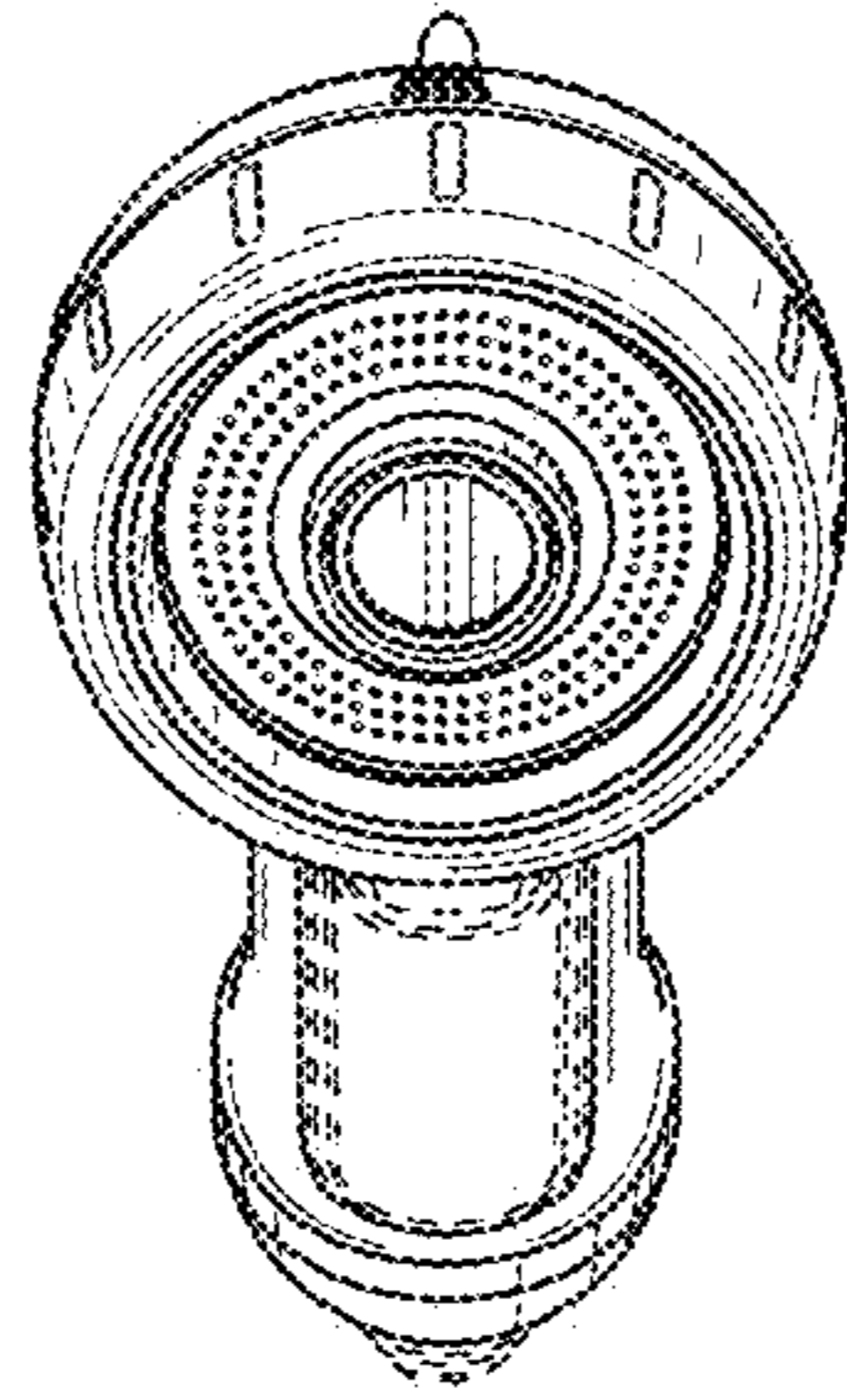


FIG. 6

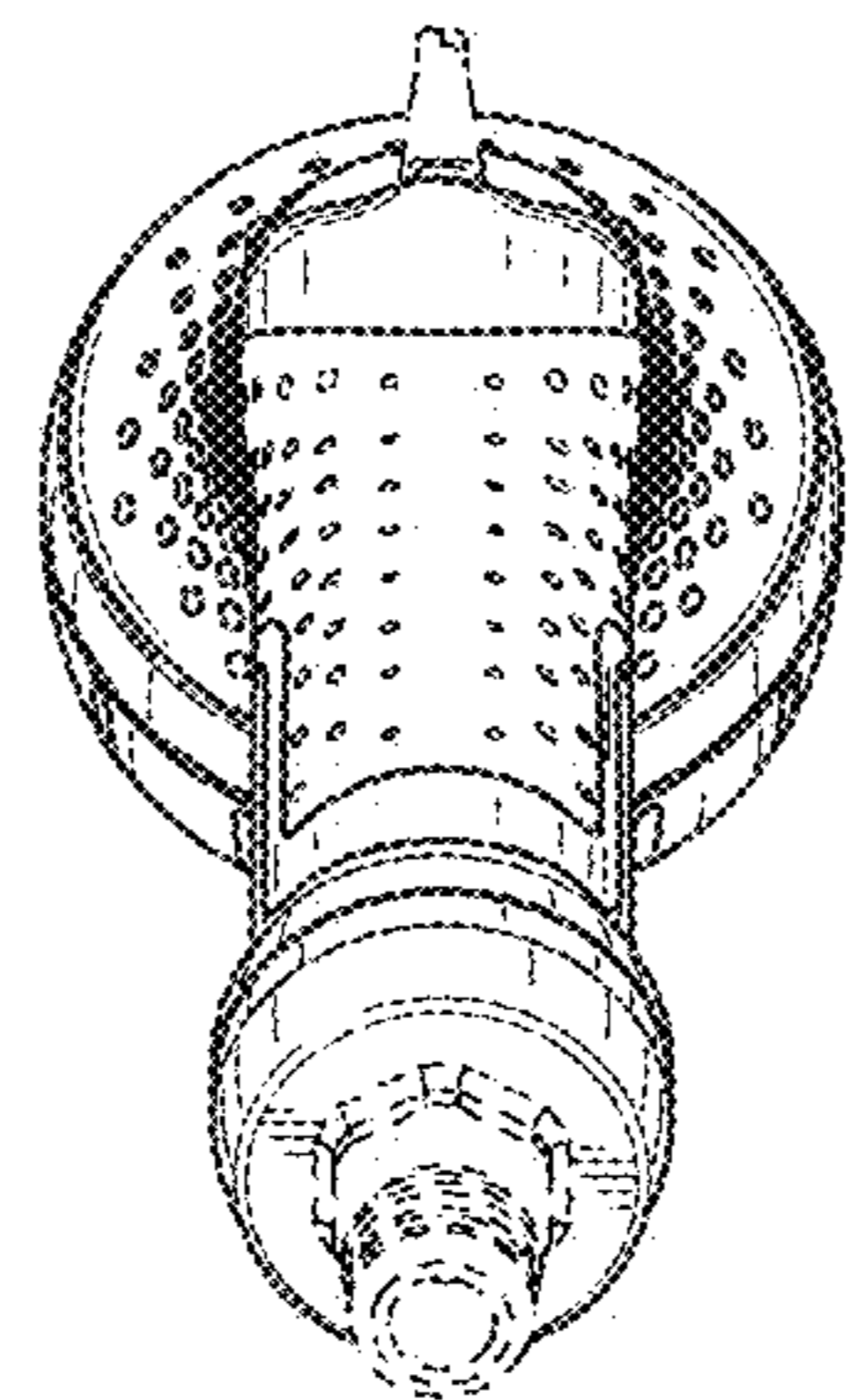


FIG. 7