



US00D780287S

(12) **United States Design Patent**
Baker

(10) **Patent No.:** **US D780,287 S**

(45) **Date of Patent:** **** Feb. 28, 2017**

(54) **WATER DISPENSER**

(71) Applicant: **Magarl, LLC**, Naples, FL (US)

(72) Inventor: **Thomas R. Baker**, Noblesville, IN (US)

(73) Assignee: **Magarl, LLC**, Naples, FL (US)

(**) Term: **15 Years**

(21) Appl. No.: **29/534,844**

(22) Filed: **Jul. 31, 2015**

(51) **LOC (10) Cl.** **23-01**

(52) **U.S. Cl.**
USPC **D23/213**

(58) **Field of Classification Search**
USPC D23/213, 223, 229-30; 4/601; 239/536,
239/548, 556, 557

CPC B05B 1/14
See application file for complete search history.

(56) **References Cited**

U.S. PATENT DOCUMENTS

- 2,222,465 A * 11/1940 Nystrom B05B 1/3086
239/115
- 2,681,254 A * 6/1954 Fuller B05B 1/18
239/107
- 5,230,472 A * 7/1993 McCabe B05B 1/18
239/443
- 5,769,802 A * 6/1998 Wang A47K 7/046
601/114
- D495,027 S * 8/2004 Mazzola D23/213
- D536,060 S * 1/2007 Sadler D23/213
- D552,713 S * 10/2007 Rexach D23/213
- D566,229 S * 4/2008 Rexach D23/213
- D567,328 S * 4/2008 Spangler D23/213

- D588,229 S * 3/2009 Lammel D23/213
- D647,173 S * 10/2011 Niehaus D23/213
- 8,807,461 B2 * 8/2014 Blattner B05B 15/066
239/518

OTHER PUBLICATIONS

CIPO Examiners Report, Serial No. 166528, 2 pages Apr. 29, 2016.
Response Filed to CIPO, Serial No. 166528, 6 pages. Aug. 26, 2016.
CA Design Appln. 166528, Examiner's Report, 2 pages Apr. 29, 2016.

CA Design Appln. 166528, Response to Examiner's Report, 6 pages Aug. 26, 2016.

* cited by examiner

Primary Examiner — Robin V Webster

(74) *Attorney, Agent, or Firm* — John V. Daniluck;
Bingham Greenebaum Doll LLP

(57) **CLAIM**

The ornamental design for a water dispenser, as shown and described.

DESCRIPTION

FIG. 1 is a top, front, left side perspective view of a water dispenser according to the present invention;

FIG. 2 is a bottom, front, right side view of the apparatus of FIG. 1;

FIG. 3 is frontal view of the apparatus of FIG. 1;

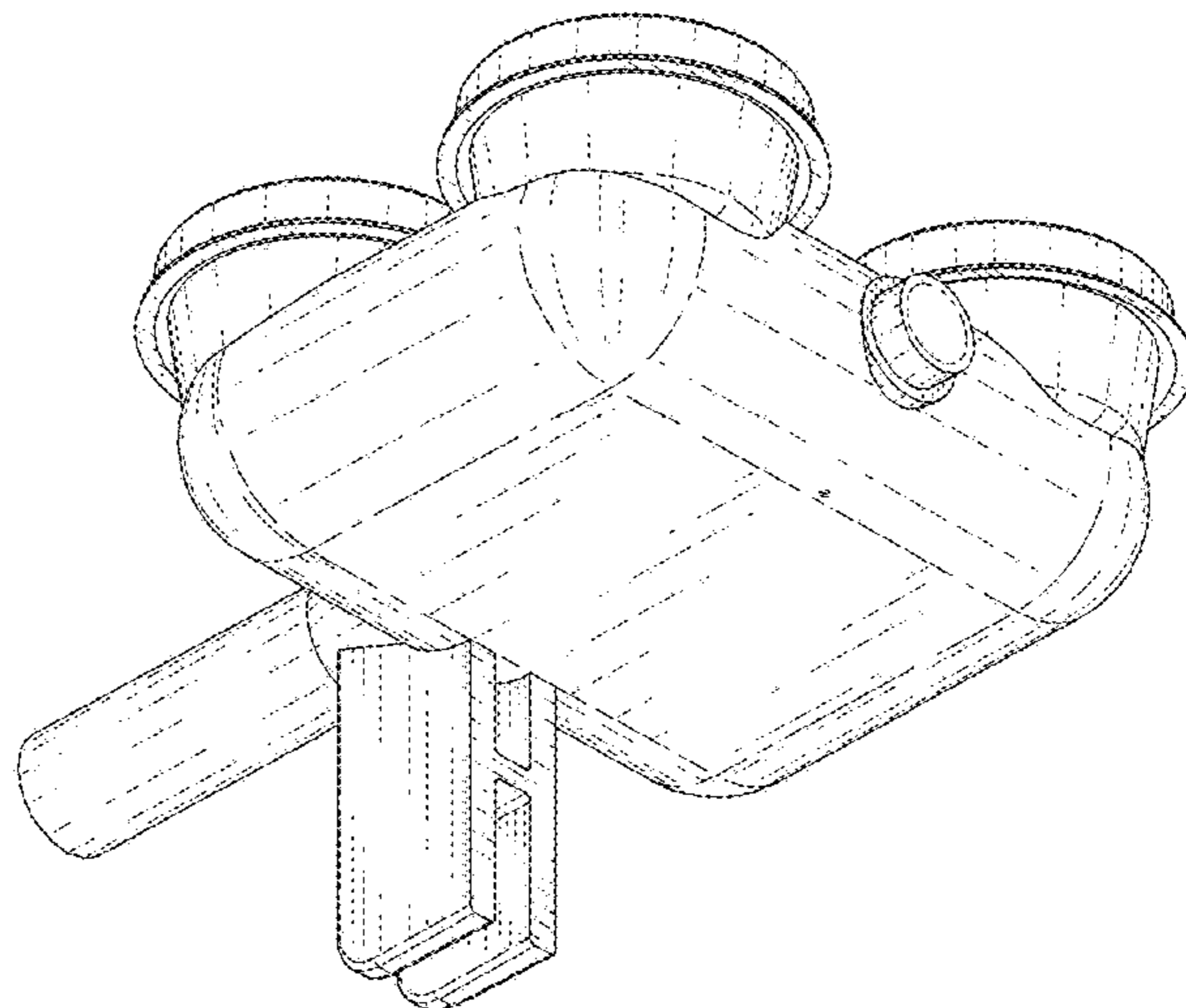
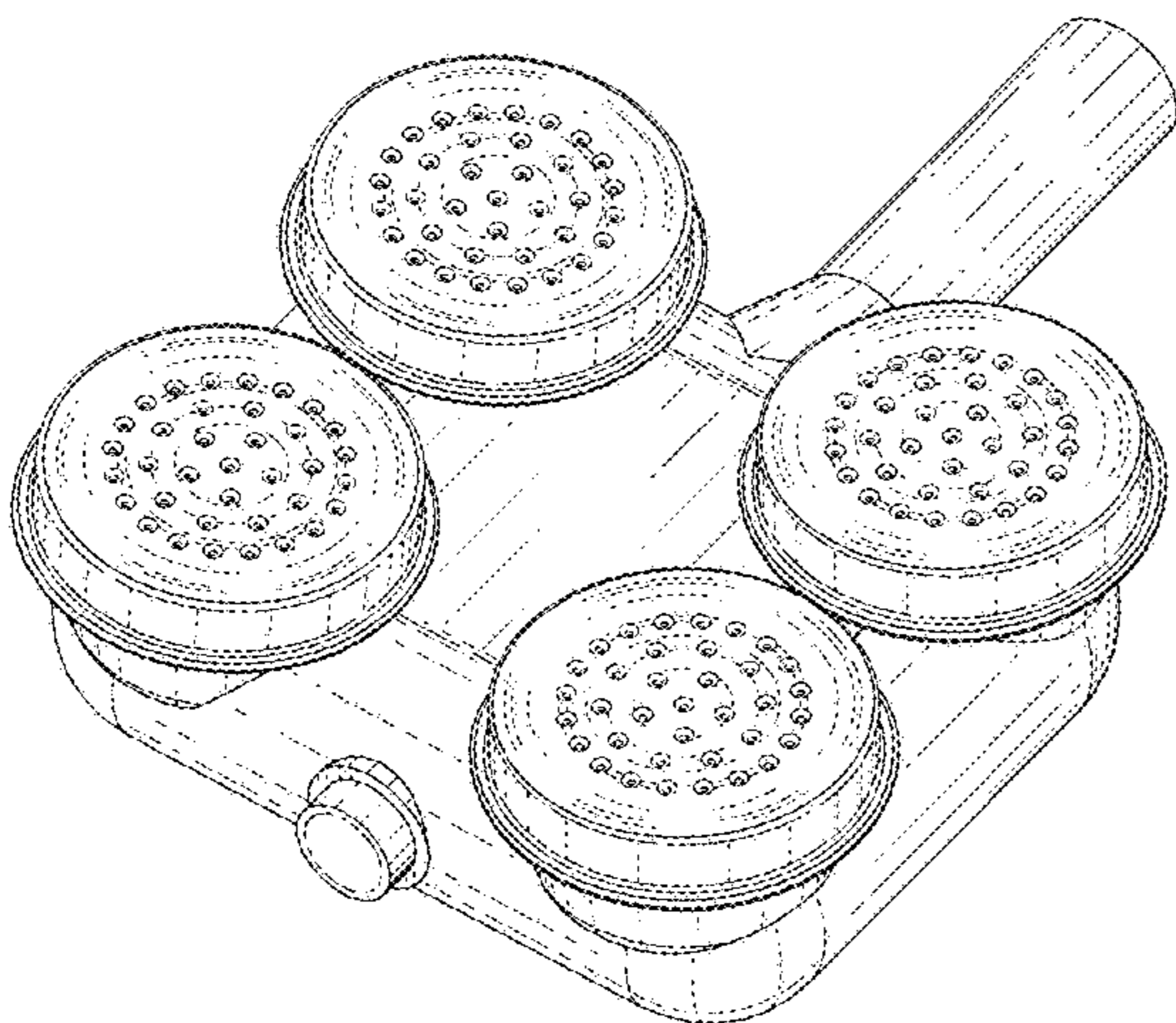
FIG. 4 is a top plan view of the apparatus of FIG. 1;

FIG. 5 is a left side elevational view of the apparatus of FIG. 1;

FIG. 6 is a right side elevational view of the apparatus of FIG. 1; and,

FIG. 7 is a bottom plan view of the apparatus of FIG. 1.

1 Claim, 4 Drawing Sheets



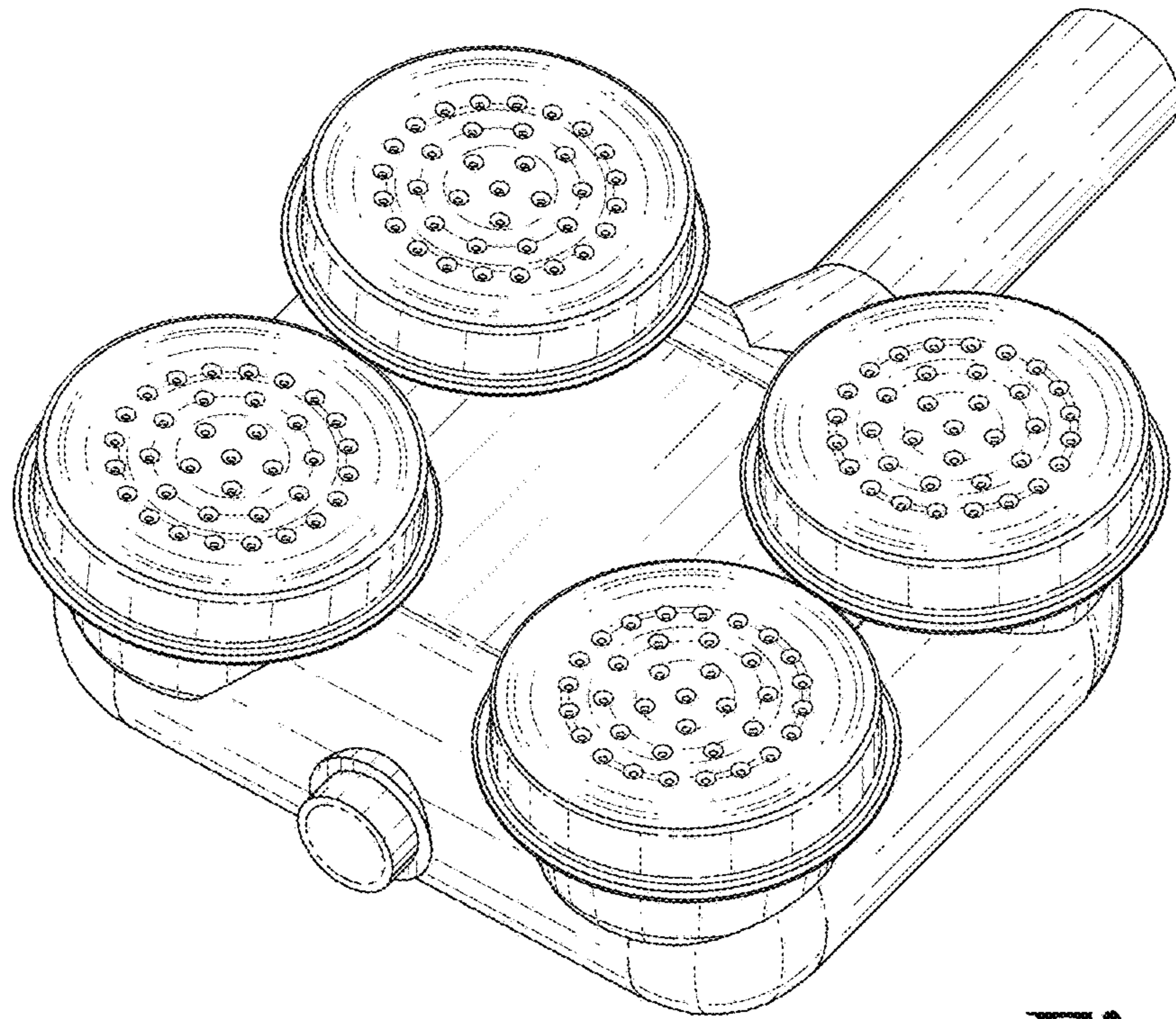


Fig. 1

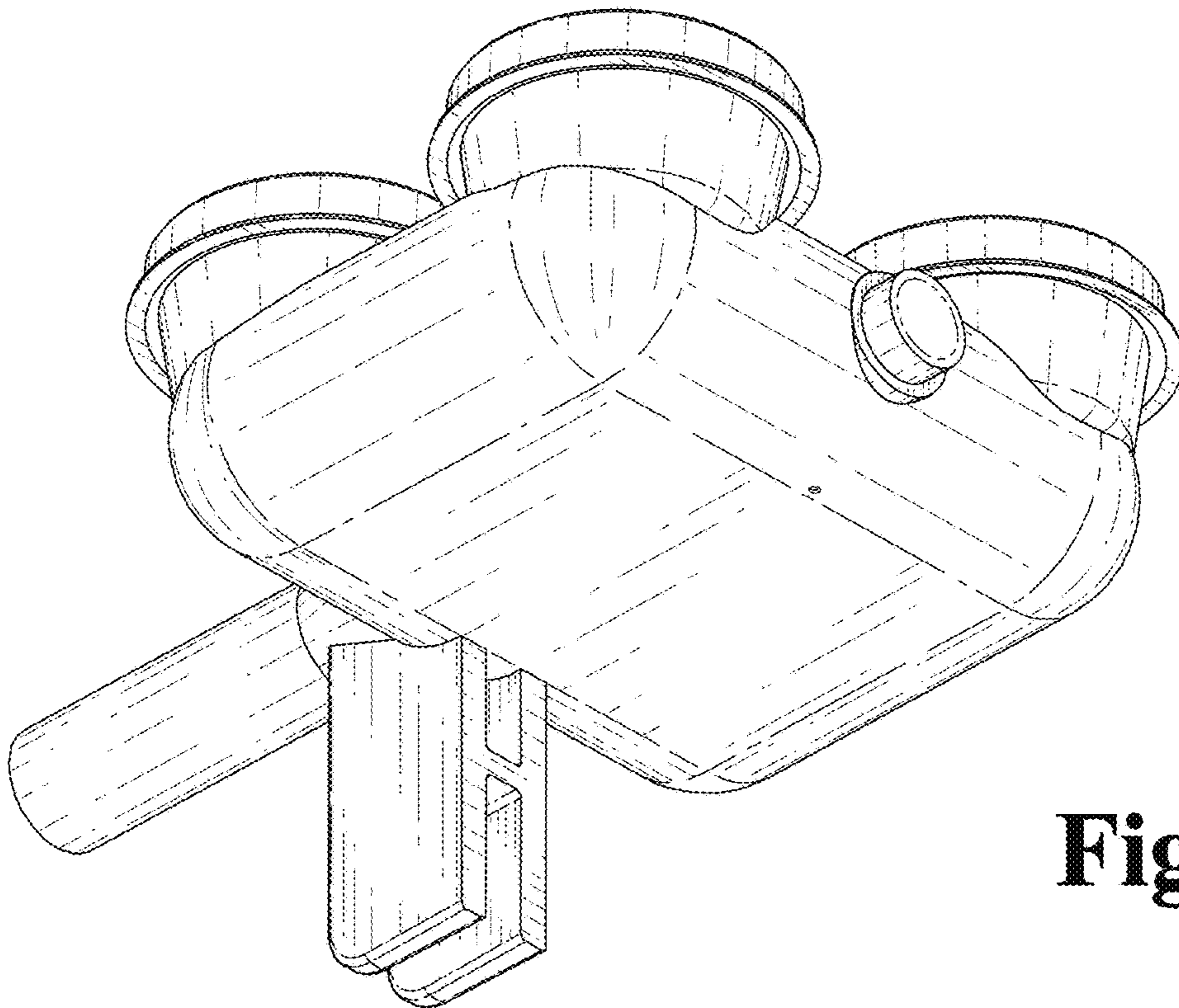


Fig. 2

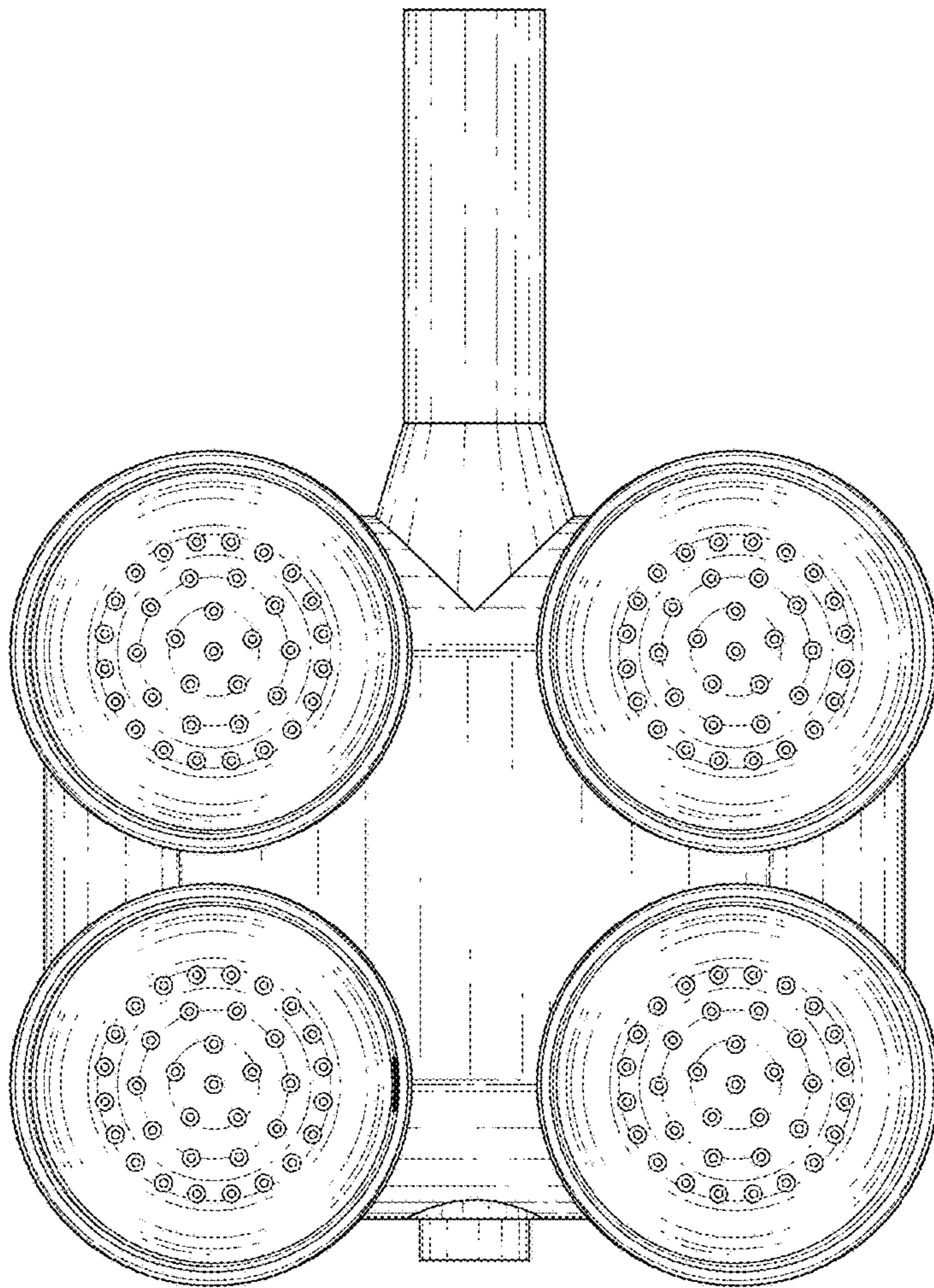


Fig. 4

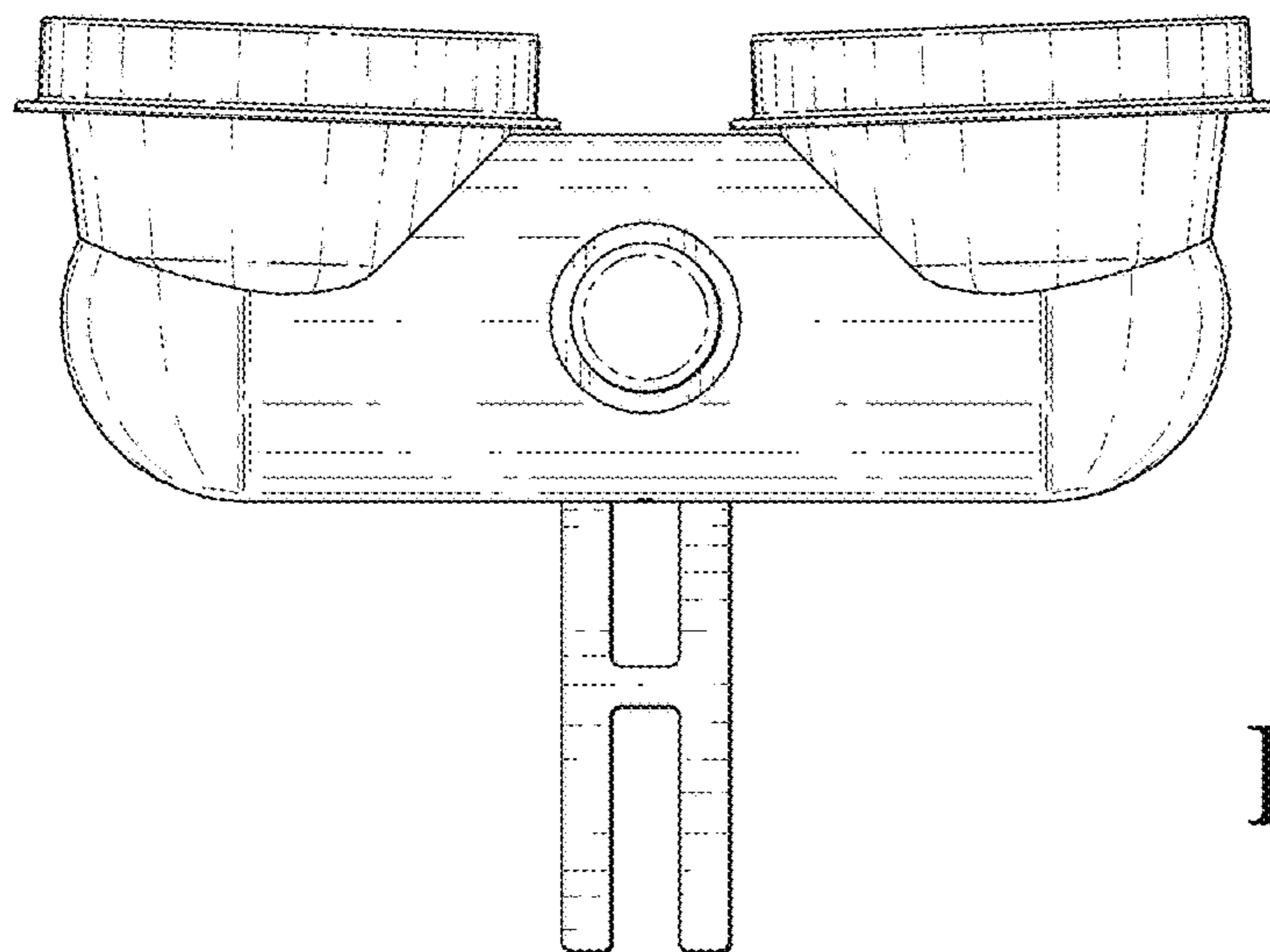


Fig. 3

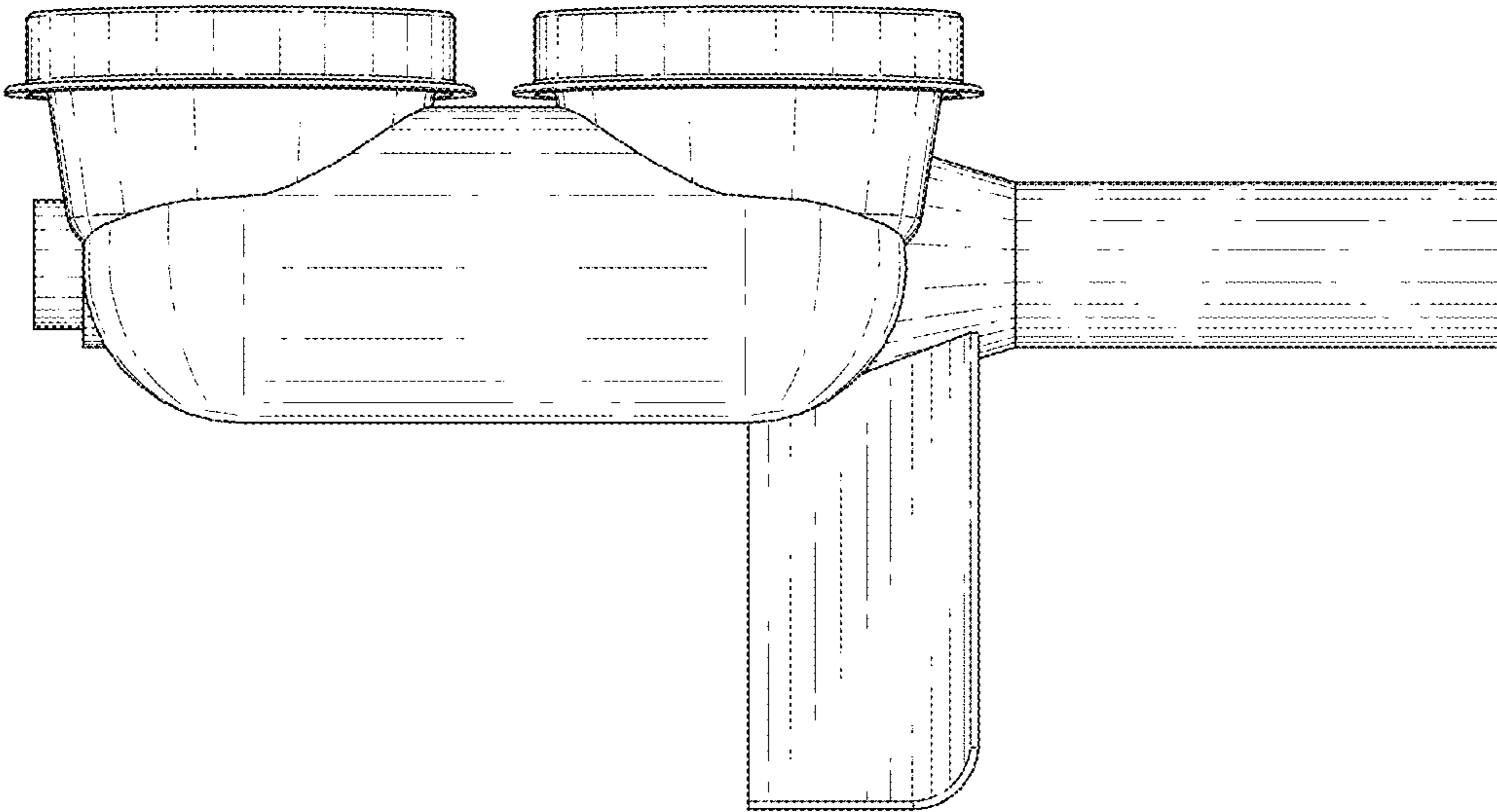


Fig. 5

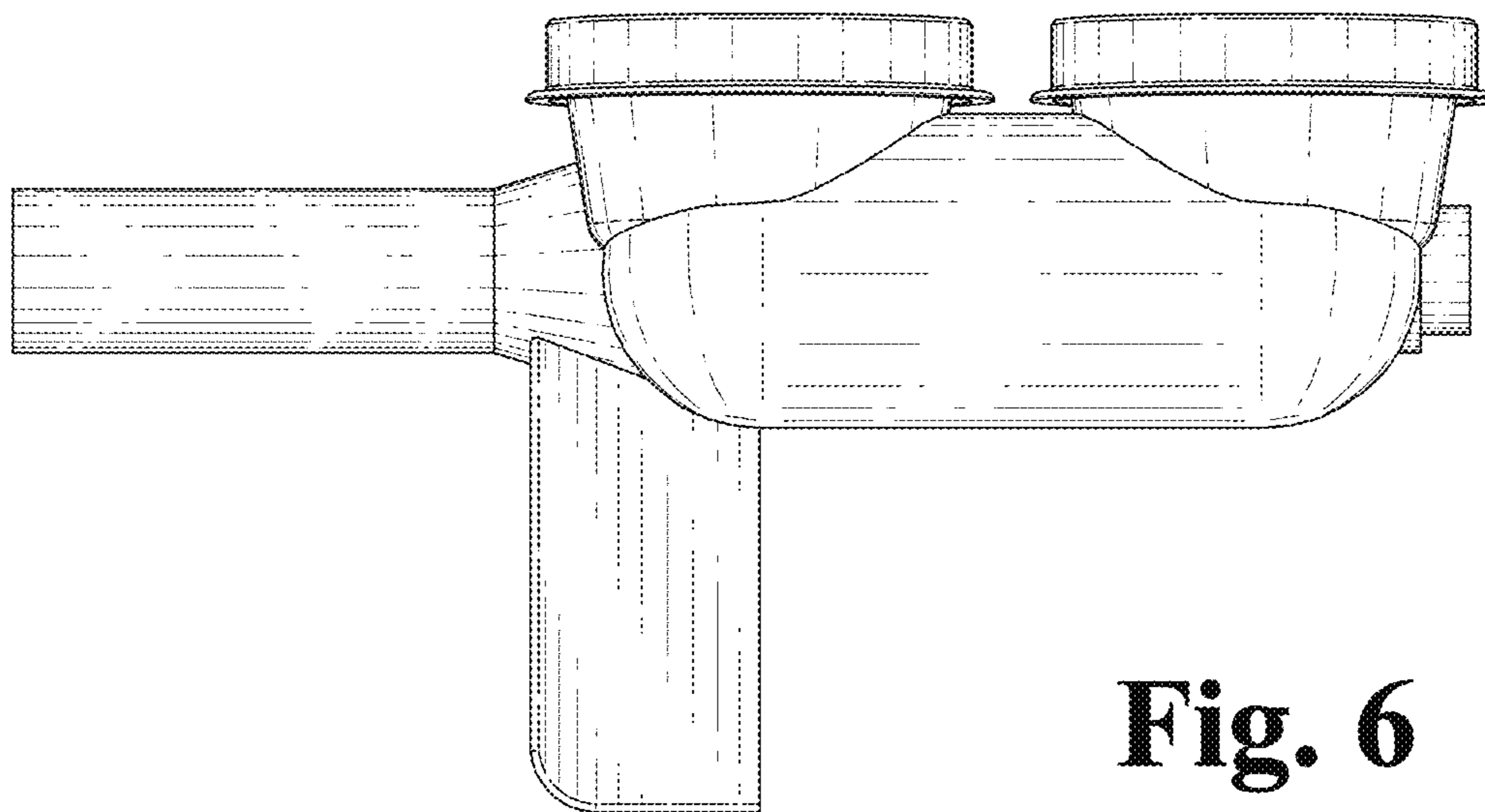


Fig. 6

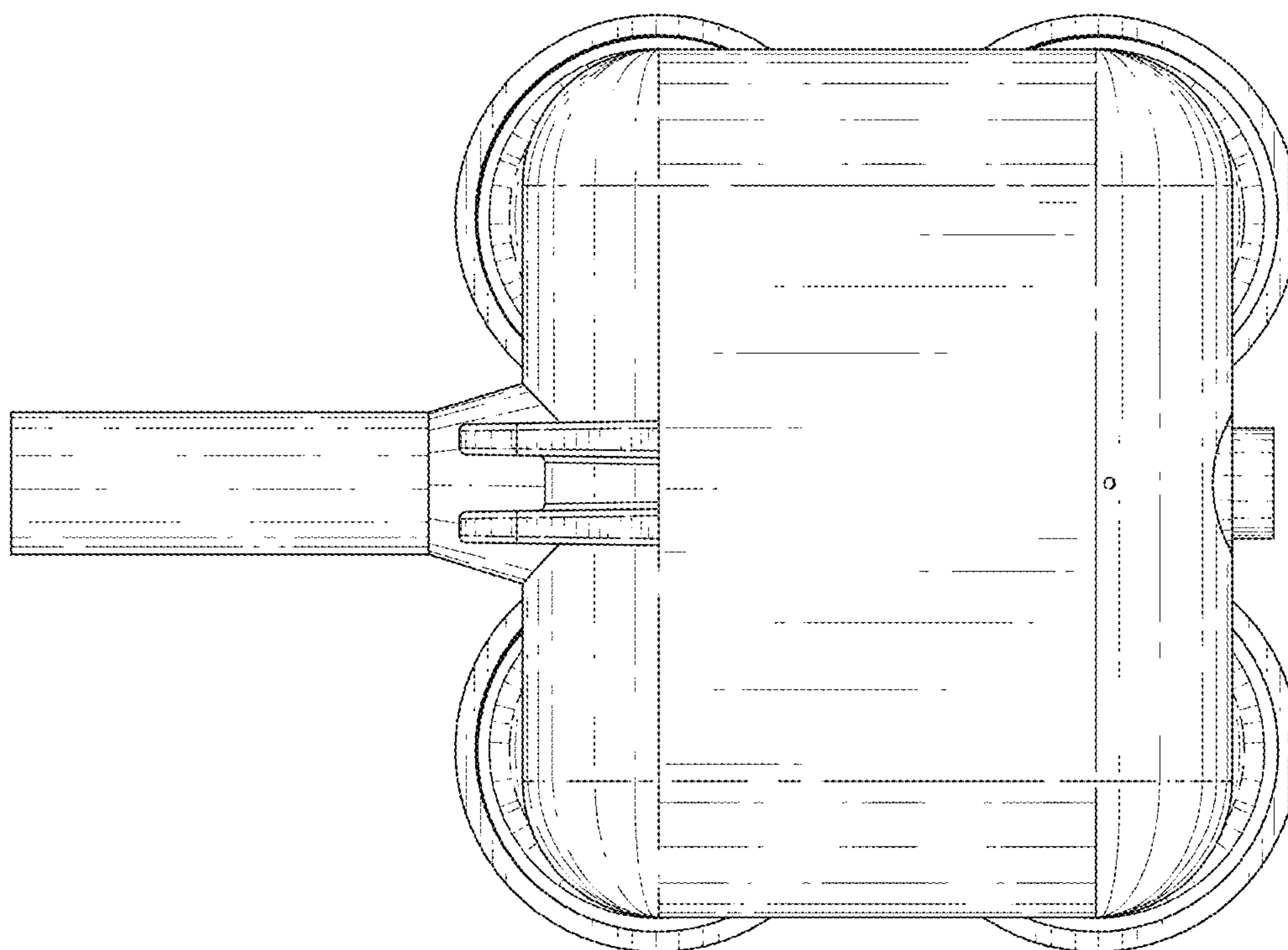


Fig. 7