



US00D780286S

(12) **United States Design Patent** (10) **Patent No.:** **US D780,286 S**
Ausner (45) **Date of Patent:** **** Feb. 28, 2017**

(54) **FLUID DISTRIBUTION EQUIPMENT**
(71) Applicant: **Sulzer Chemtech AG**, Winterthur (CH)
(72) Inventor: **Ilja Ausner**, Oehningen (DE)
(73) Assignee: **Sulzer Chemtech AG**, Winterthur (CH)
(**) Term: **14 Years**
(21) Appl. No.: **29/524,489**
(22) Filed: **Apr. 21, 2015**

5,411,681 A 5/1995 Seah et al.
5,543,088 A * 8/1996 Halbirt B01J 19/30
261/94
5,882,772 A * 3/1999 Schultes B01J 19/30
261/112.2
D465,257 S * 11/2002 Van Olst B01J 19/30
D23/207
7,014,175 B2 * 3/2006 Honnell B01J 19/30
261/94
7,722,945 B2 * 5/2010 Nieuwoudt B01J 19/30
261/94
7,862,013 B2 * 1/2011 Miller B01J 19/30
261/94
D696,744 S * 12/2013 Barrett D23/207

(30) **Foreign Application Priority Data**
Oct. 28, 2014 (EM) 002565705
(51) **LOC (10) Cl.** **23-01**
(52) **U.S. Cl.**
USPC **D23/207**
(58) **Field of Classification Search**
USPC D23/207, 209, 269; 261/94, 108,
261/DIG. 72; 210/150
CPC B01J 19/30; B01J 19/32
See application file for complete search history.

FOREIGN PATENT DOCUMENTS

DE 1 129 931 5/1962
EP 0764462 B1 8/1996

* cited by examiner

Primary Examiner — Robin V Webster
(74) *Attorney, Agent, or Firm* — Larson & Anderson,
LLC

(57) **CLAIM**

The ornamental design for fluid distribution equipment, as shown and described.

(56) **References Cited**
U.S. PATENT DOCUMENTS
3,311,356 A 3/1967 Eckert
3,752,453 A * 8/1973 Doyne B01J 19/30
261/112.1
4,041,113 A 8/1977 McKeown
4,115,269 A * 9/1978 Bennett B01D 47/14
210/150
4,303,599 A 12/1981 Strigle, Jr. et al.
4,497,753 A * 2/1985 Streiff B01D 3/24
165/60
5,112,536 A * 5/1992 McNulty B01J 19/30
261/94

DESCRIPTION

FIG. 1 is a perspective view of fluid distribution equipment showing my new design;
FIG. 2 is another perspective view thereof;
FIG. 3 is a top view thereof;
FIG. 4 is an end view thereof;
FIG. 5 is the other end view thereof;
FIG. 6 is a side view thereof; and,
FIG. 7 is the other side view thereof.

1 Claim, 7 Drawing Sheets

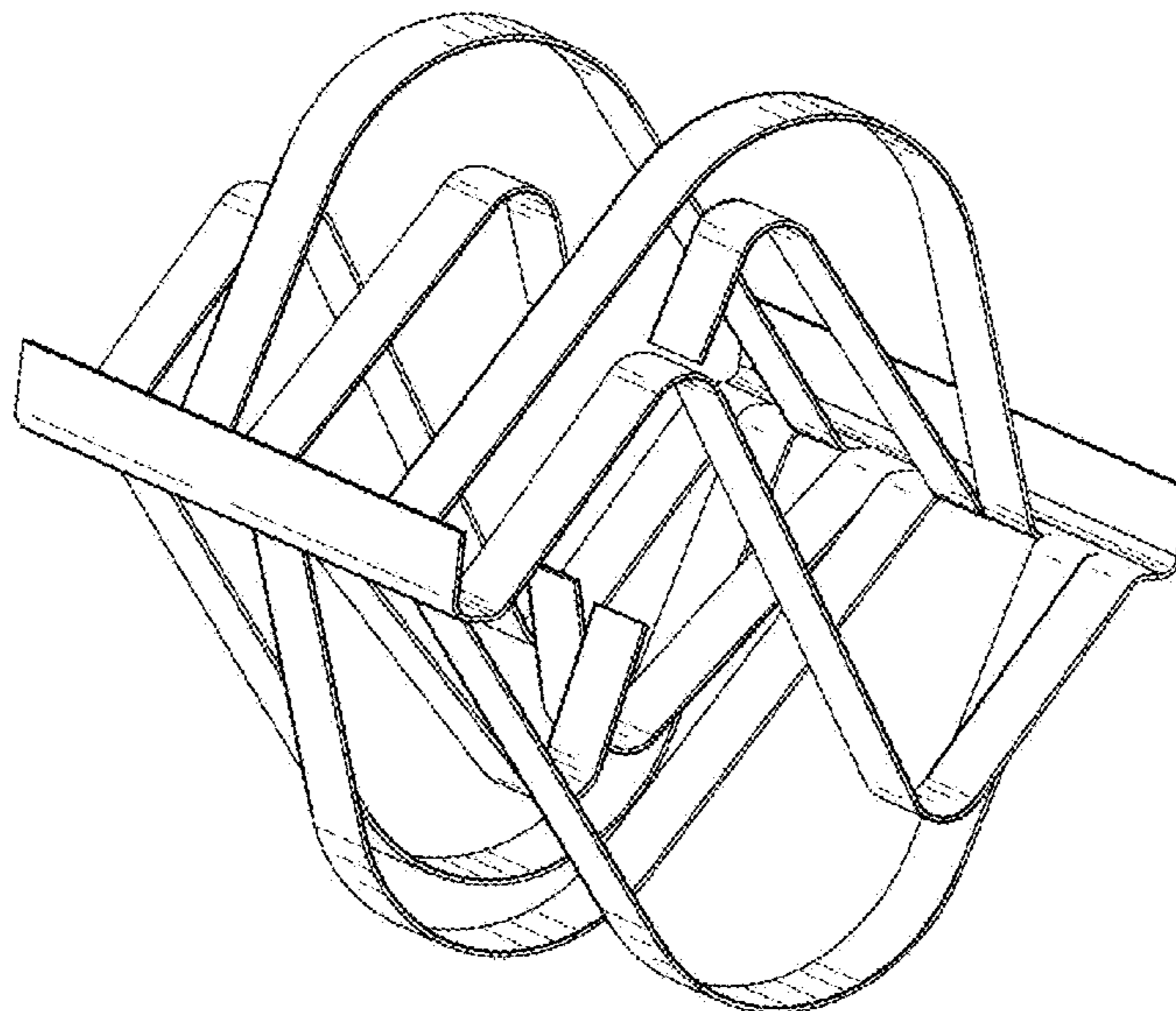


Fig. 1

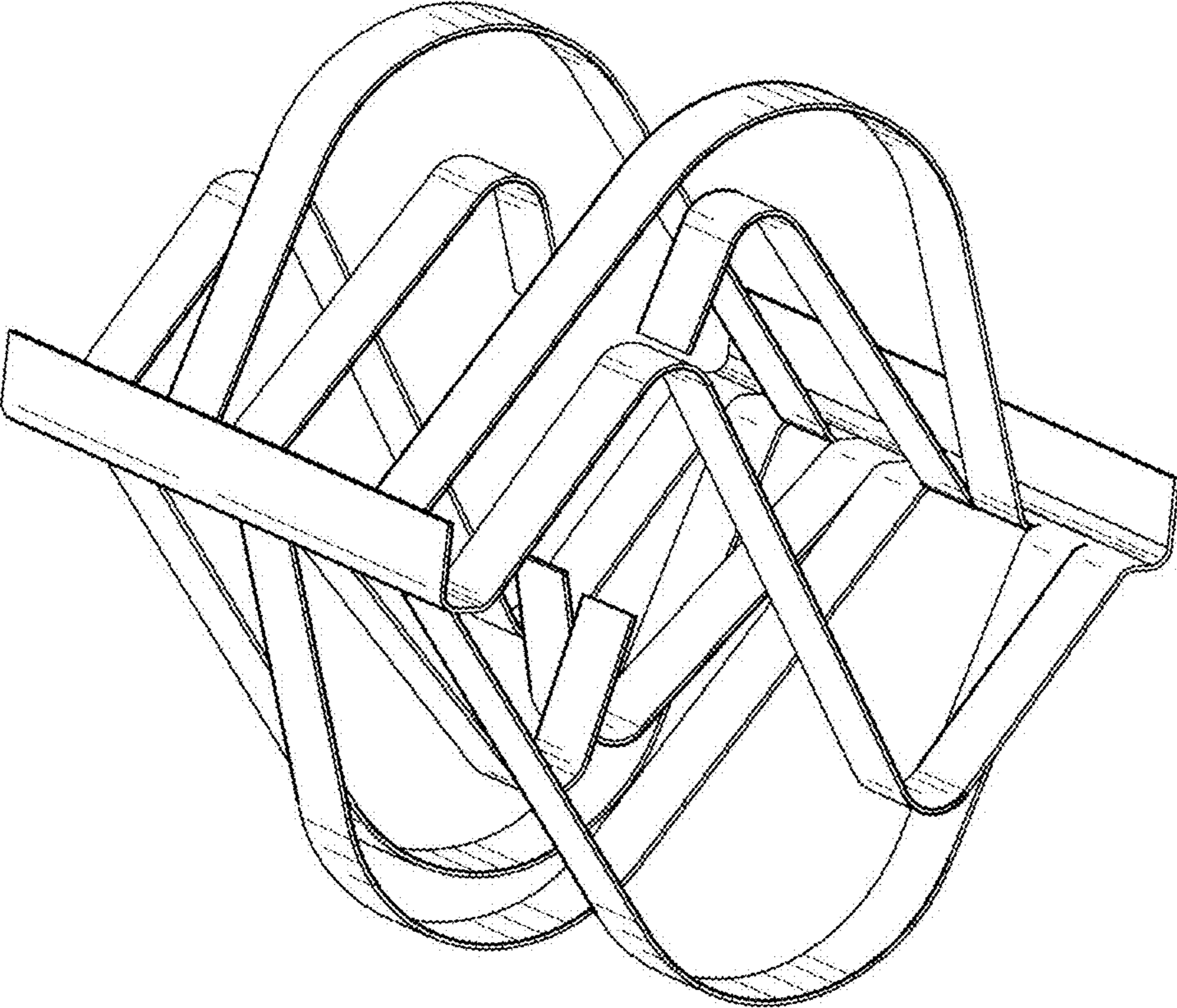


Fig. 2

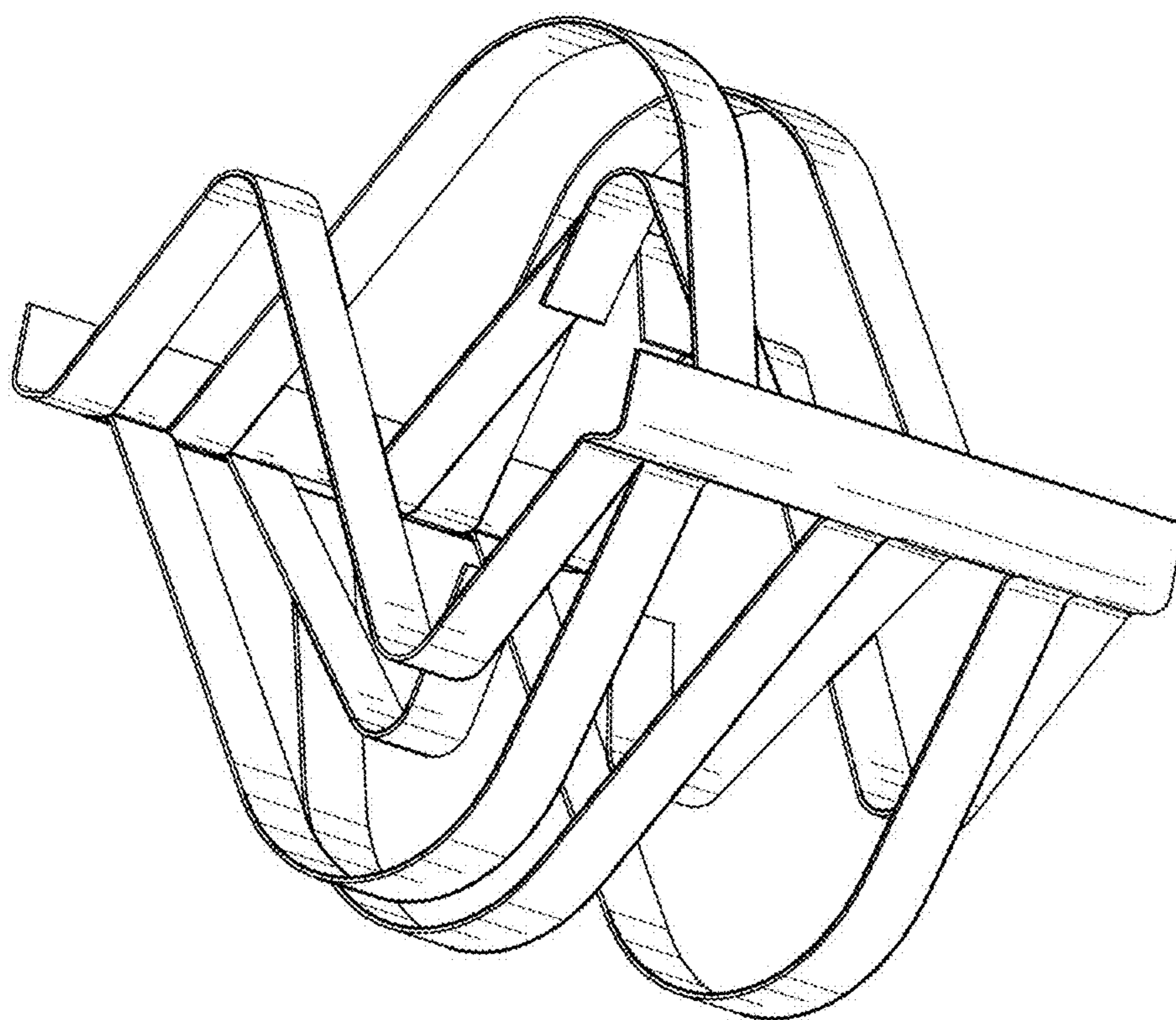


Fig. 3

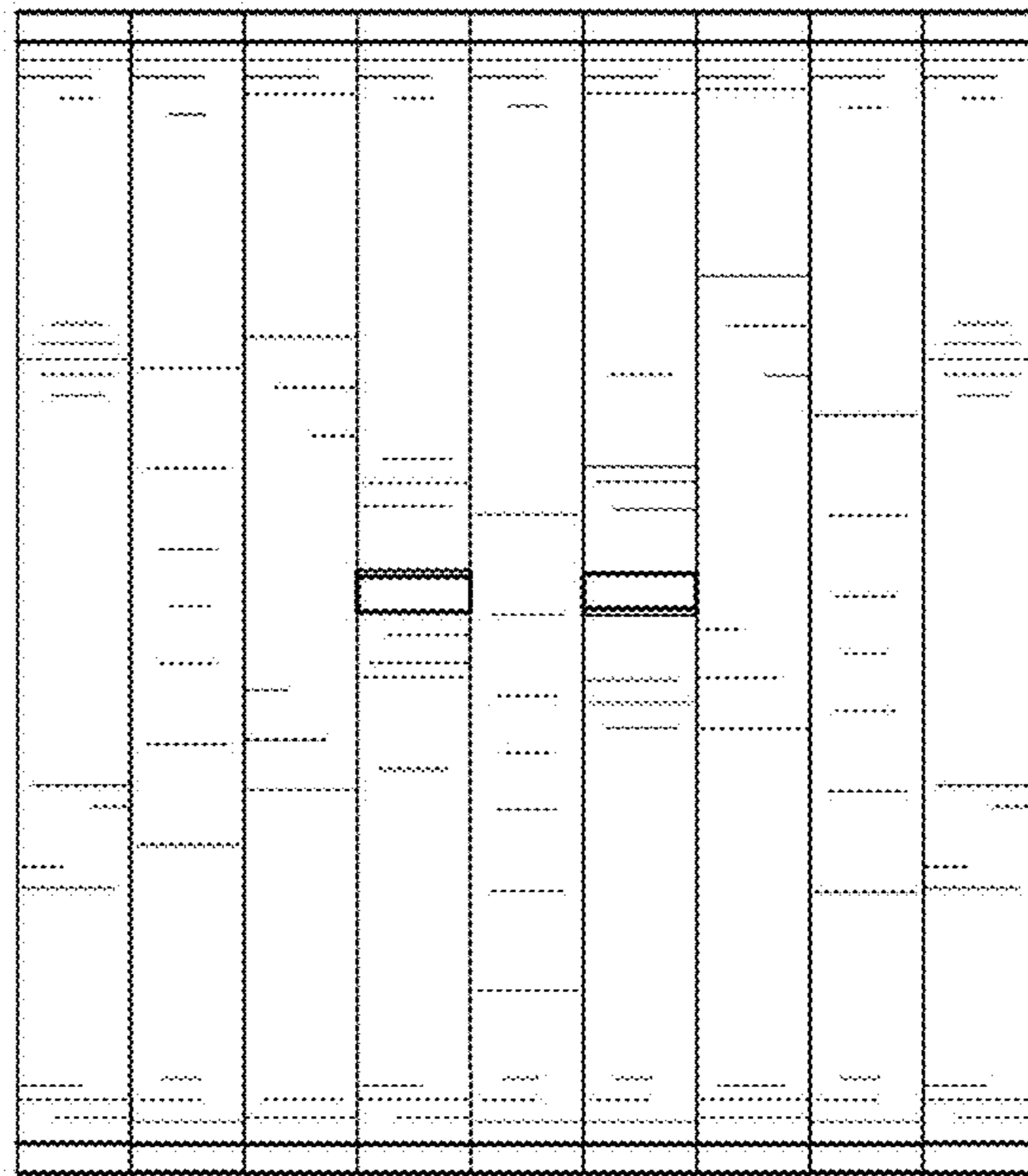


Fig. 4

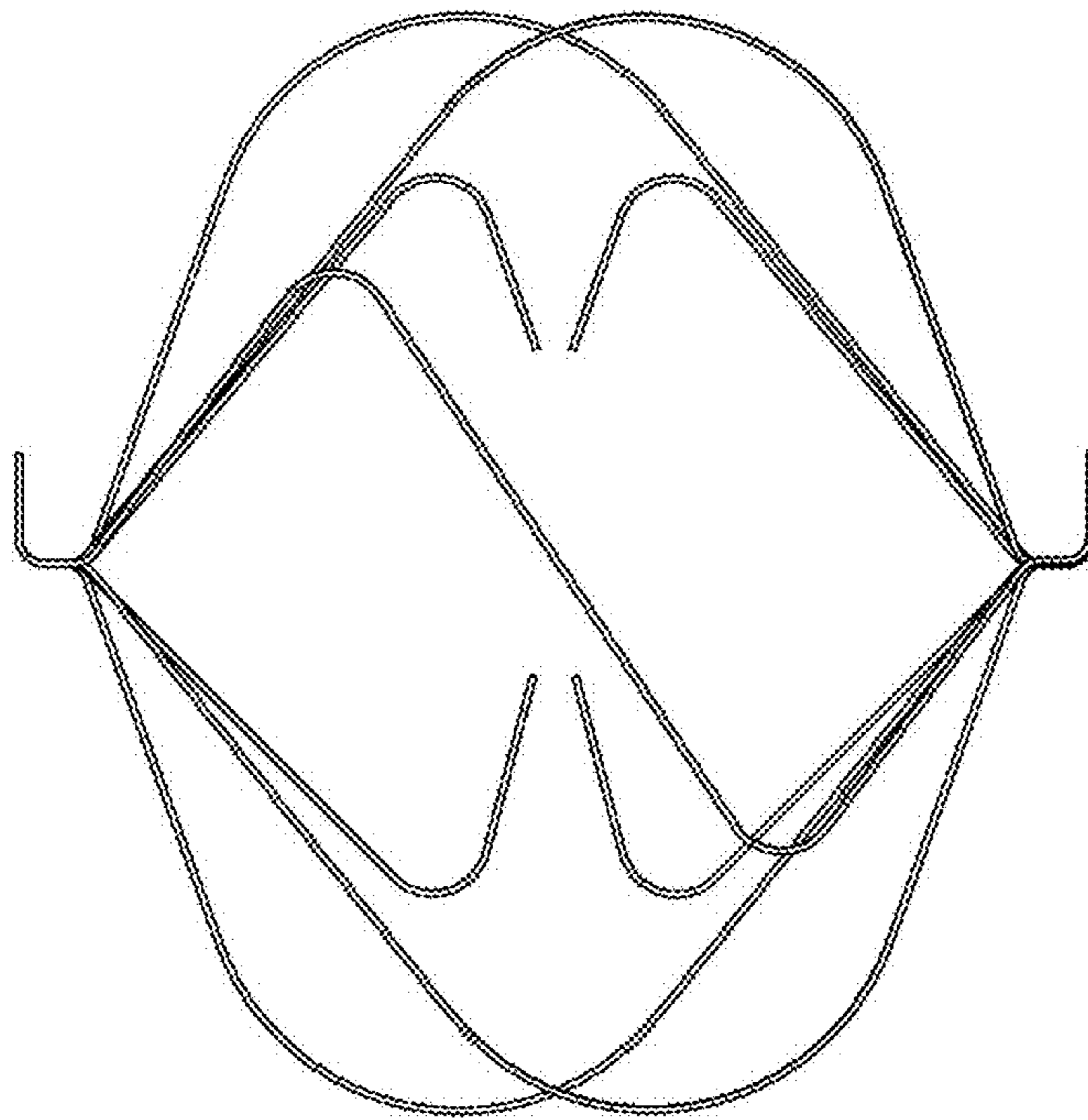


Fig. 5

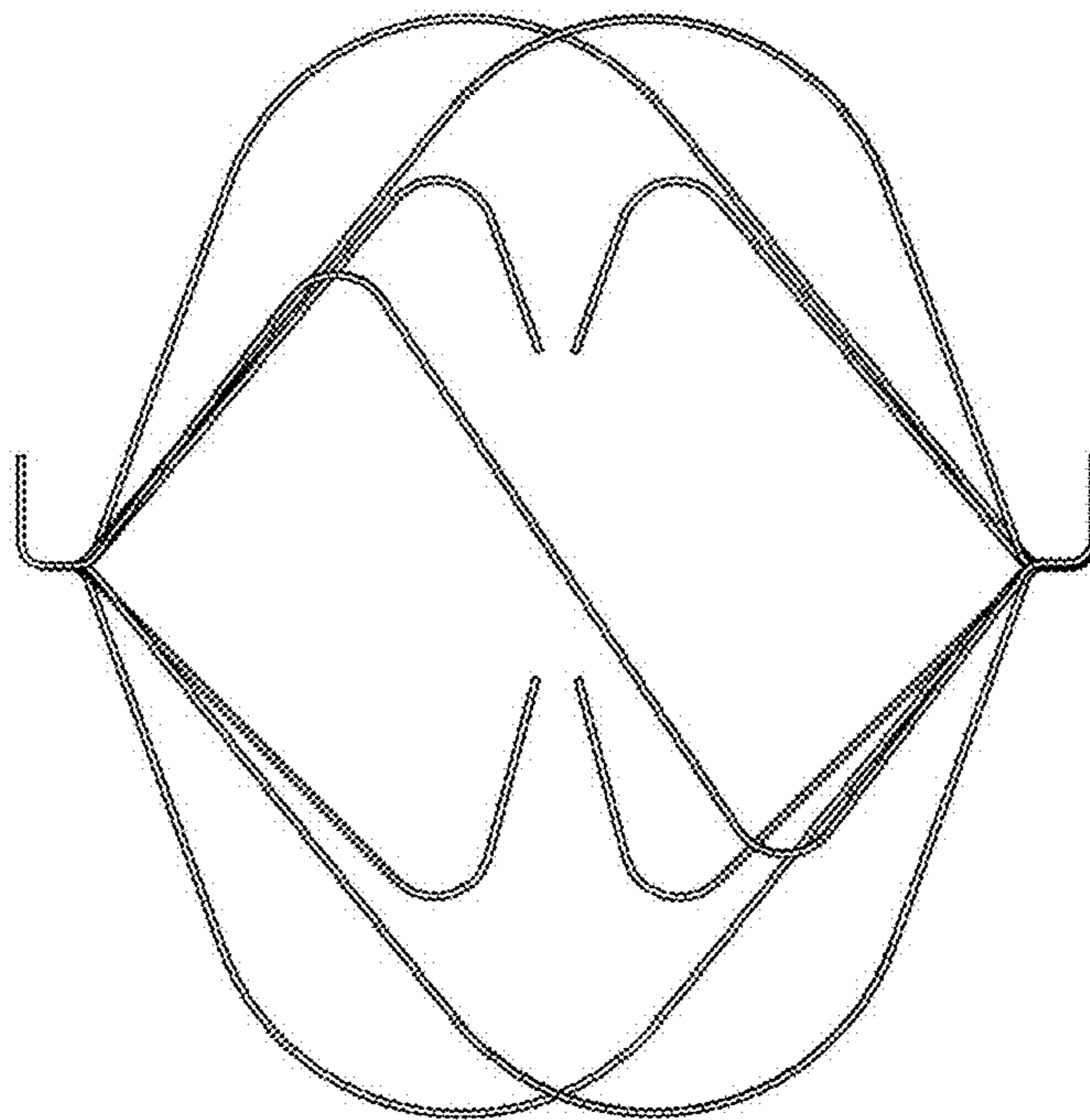


Fig. 6

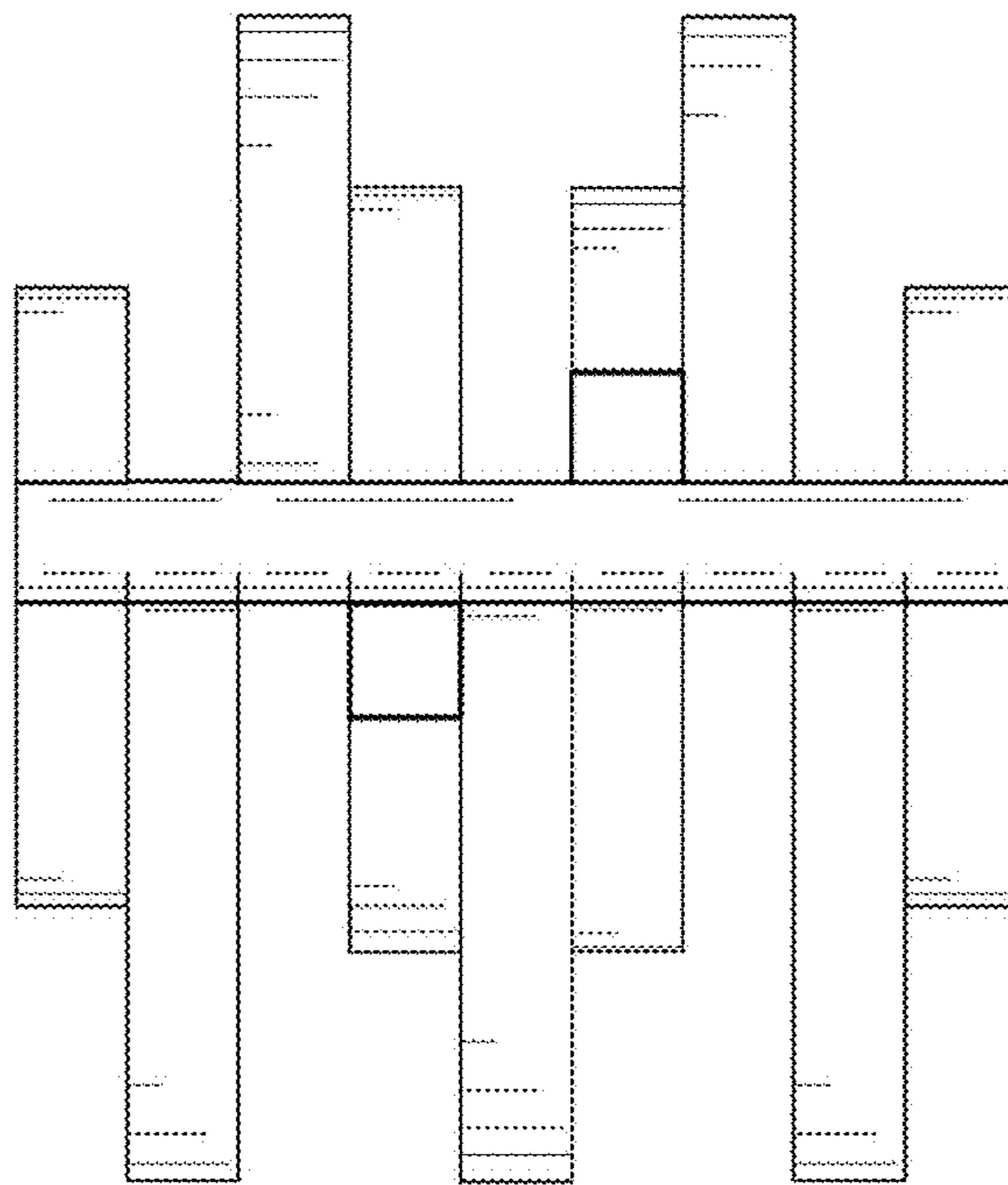


Fig. 7

