



US00D780284S

(12) **United States Design Patent** (10) **Patent No.:** **US D780,284 S**
Lieberwirth et al. (45) **Date of Patent:** **** Feb. 28, 2017**

- (54) **INSECT TRAP** D282,390 S 1/1986 Ford et al.
- (71) Applicant: **The Procter & Gamble Company,** 4,709,502 A 12/1987 Bierman
Cincinnati, OH (US) 4,709,503 A 12/1987 McQueen
4,815,231 A 3/1989 McQueen
(Continued)

- (72) Inventors: **Lars Lieberwirth,** Shanghai (CN);
Andrew F Sandford, Marlborough,
MA (US); **Daniel B Lazarchik,** Boston,
MA (US)

FOREIGN PATENT DOCUMENTS

- EP 1827092 12/2010
 - WO WO 01/22813 4/2001
- (Continued)

- (73) Assignee: **The Procter & Gamble Company,**
Cincinnati, OH (US)

OTHER PUBLICATIONS

- (**) Term: **15 Years** U.S. Appl. No. 29/502,777, filed Sep. 19, 2014, Lieberwirth et al.
(Continued)
- (21) Appl. No.: **29/565,260**
- (22) Filed: **May 19, 2016**

Primary Examiner — Catheri Oliver-Garcia
(74) *Attorney, Agent, or Firm* — James C Vago

Related U.S. Application Data

- (63) Continuation of application No. 29/503,040, filed on Sep. 23, 2014, now abandoned, which is a continuation of application No. 29/476,091, filed on Dec. 11, 2013, now abandoned, which is a continuation of application No. 29/449,887, filed on Mar. 15, 2013, now abandoned.

(57) **CLAIM**

The ornamental design for an insect trap, as shown and described.

- (51) **LOC (10) Cl.** **22-06**
- (52) **U.S. Cl.**
USPC **D22/122**
- (58) **Field of Classification Search**
USPC D22/119–124; 43/107, 111–113, 121,
43/124, 131, 132.1; D23/366–367
CPC A01M 1/04
See application file for complete search history.

DESCRIPTION

FIG. 1 is a front perspective view of an ornamental design for an insect trap;
 FIG. 2 is a rear perspective view thereof;
 FIG. 3 is a rear view thereof;
 FIG. 4 is a front view thereof;
 FIG. 5 is a first side view thereof;
 FIG. 6 is a second side view thereof;
 FIG. 7 is a top view thereof; and,
 FIG. 8 is a bottom view thereof.

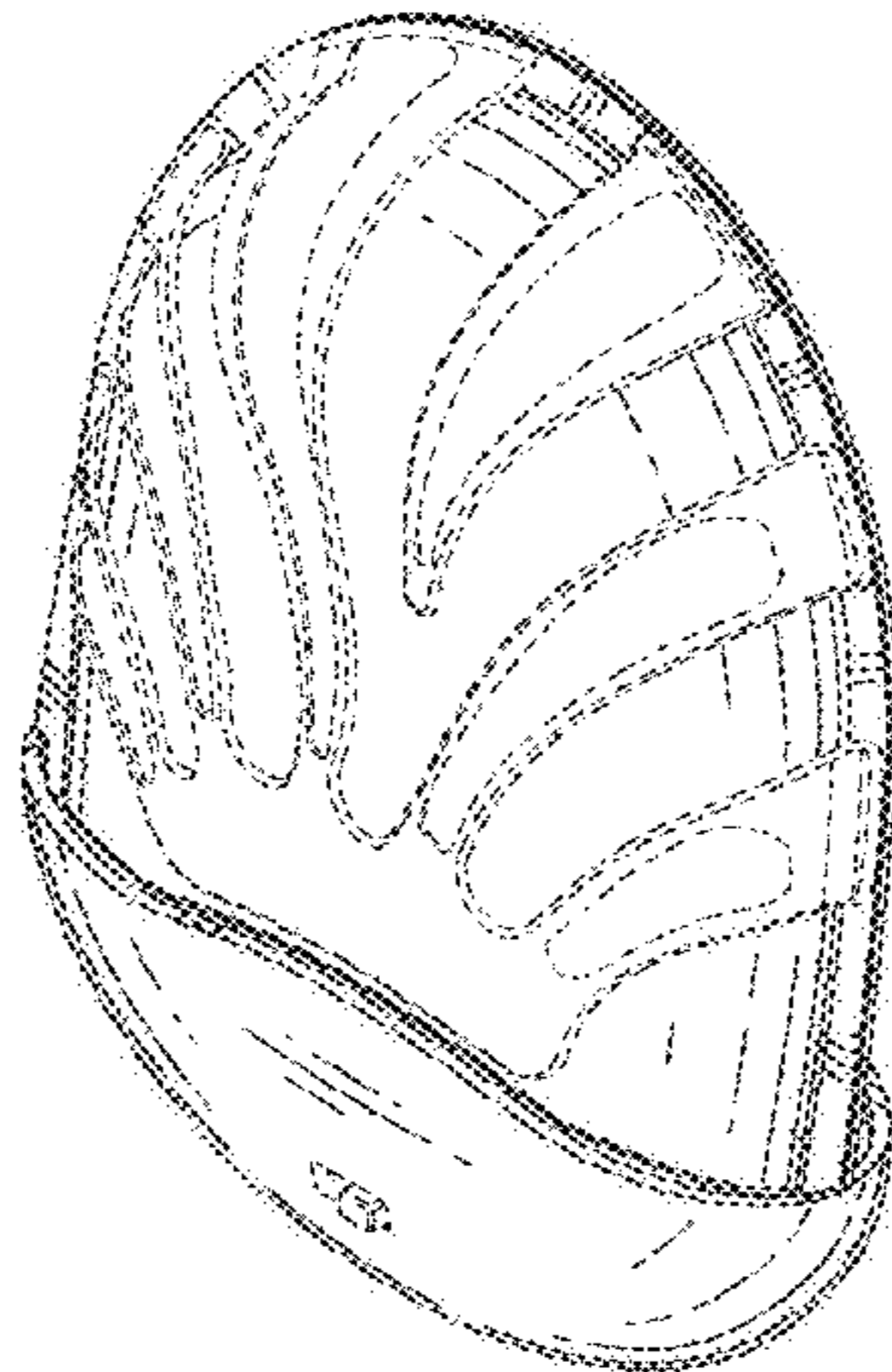
The broken lines shown in FIGS. 1-8, that are immediately adjacent to the shaded areas, and define unshaded regions, represent the bounds of the first embodiment, while all other broken lines are directed to environment and are for illustrative purposes only; the broken lines form no part of the first embodiment.

(56) **References Cited**

U.S. PATENT DOCUMENTS

- 2,307,163 A 1/1943 Shea
- 3,729,858 A 5/1973 Bradshaw
- 4,212,129 A 7/1980 Shumate

1 Claim, 4 Drawing Sheets



(56)

References Cited

U.S. PATENT DOCUMENTS

D323,014 S 1/1992 Demarest et al.
 D326,702 S 6/1992 Demarest
 D357,725 S 4/1995 Biasetti
 5,477,636 A 12/1995 Musket
 5,556,192 A 9/1996 Wang
 5,572,825 A 11/1996 Gehret
 5,588,250 A 12/1996 Chiba et al.
 6,108,965 A 8/2000 Burrows et al.
 D457,591 S 5/2002 Christianson et al.
 6,392,549 B1 5/2002 Wu
 6,393,759 B1 5/2002 Brown
 6,478,440 B1 11/2002 Jaworski et al.
 D467,295 S 12/2002 Andrews et al.
 6,560,919 B2 5/2003 Burrows et al.
 6,886,292 B2 5/2005 Studer et al.
 6,951,403 B2 10/2005 Bennett
 D521,102 S 5/2006 Hoyes
 D533,930 S 12/2006 Keller, Jr. et al.
 7,607,255 B2 10/2009 Hu
 D612,039 S 3/2010 Ko et al.
 D612,446 S 3/2010 Dalili
 D614,278 S 4/2010 Schwartz et al.
 D629,500 S 12/2010 Koenig et al.
 7,856,752 B1 12/2010 Eilerson
 8,016,207 B2 9/2011 Kvietok et al.
 8,099,900 B2 1/2012 Rivera

8,109,036 B1 2/2012 Wilbanks
 8,210,448 B2 7/2012 Kvietok et al.
 D669,151 S 10/2012 Frisch
 8,375,625 B2 2/2013 Larsen
 8,707,614 B2 4/2014 Larsen
 8,740,110 B2 6/2014 Gruenbacher et al.
 9,089,121 B2 7/2015 Diclaro et al.
 D736,341 S 8/2015 Lieberwirth et al.
 2009/0100743 A1 4/2009 Prater
 2010/0263260 A1 10/2010 Engelbrecht et al.
 2016/0000060 A1 1/2016 Sandford et al.

FOREIGN PATENT DOCUMENTS

WO WO 02/12127 2/2002
 WO WO 2015/081033 6/2015
 WO WO 2015/164849 10/2015

OTHER PUBLICATIONS

U.S. Appl. No. 29/503,040, filed Sep. 23, 2014, Lieberwirth et al.
 Enforcer® Over Nite Flea and Insect Trap, website: <http://www.enforcer.com/products/flea-tick/over-nite-flea-insect-trap/>.
 On-line article in the Atlanta Journal Constitution, Jul. 9, 1993 by Leigh Ann Miller describing a new product, the Enforcer® Over Nite Flea and Insect Trap, 1 page.
 Plug-in Sticky Fly Trap, Olson Products Inc., PO Box 1043, Medina OH 44258, www.olsonproducts.com, web page: http://www.olsonproducts.com/three_3.pdf.

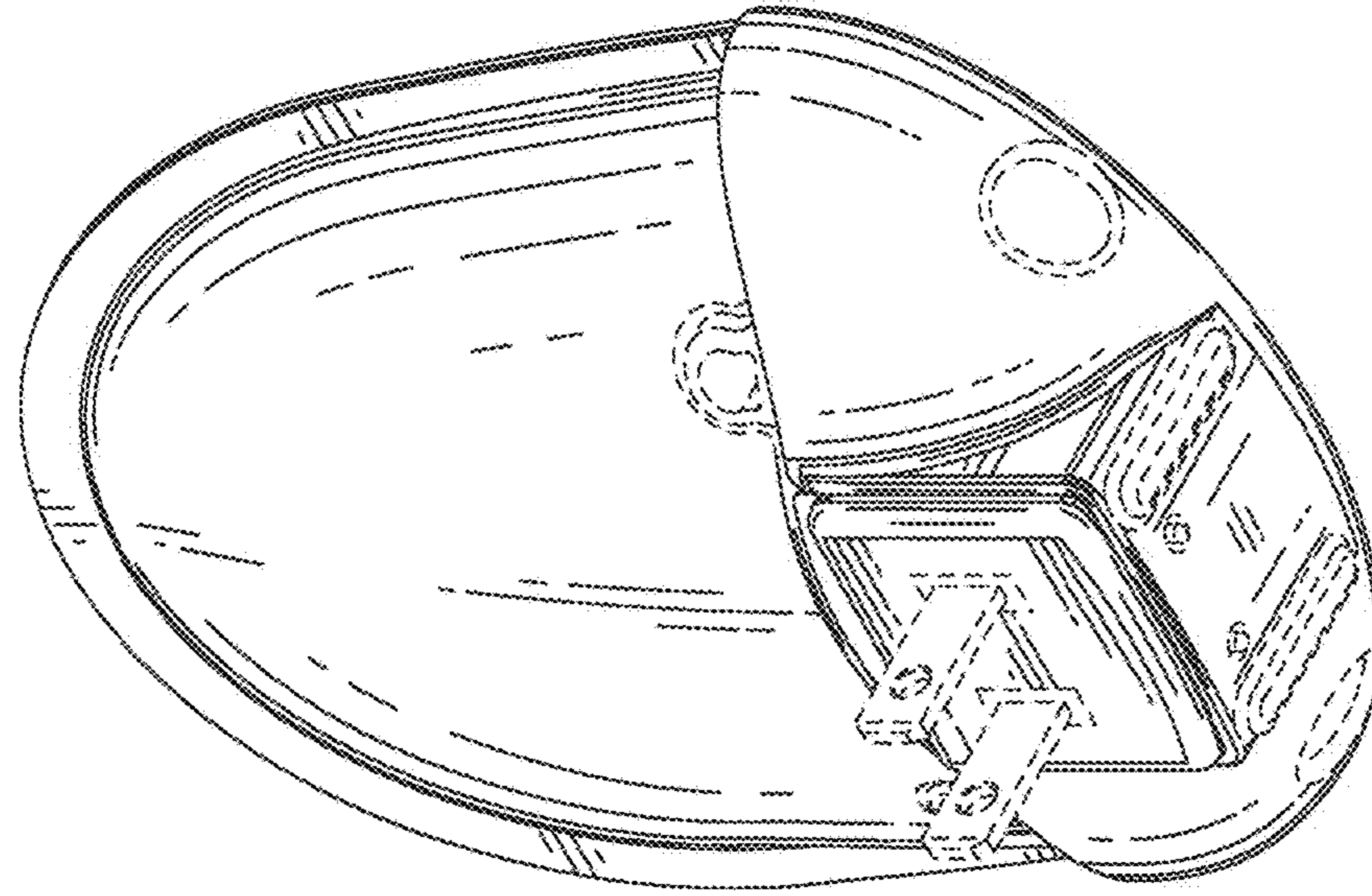


FIG. 2

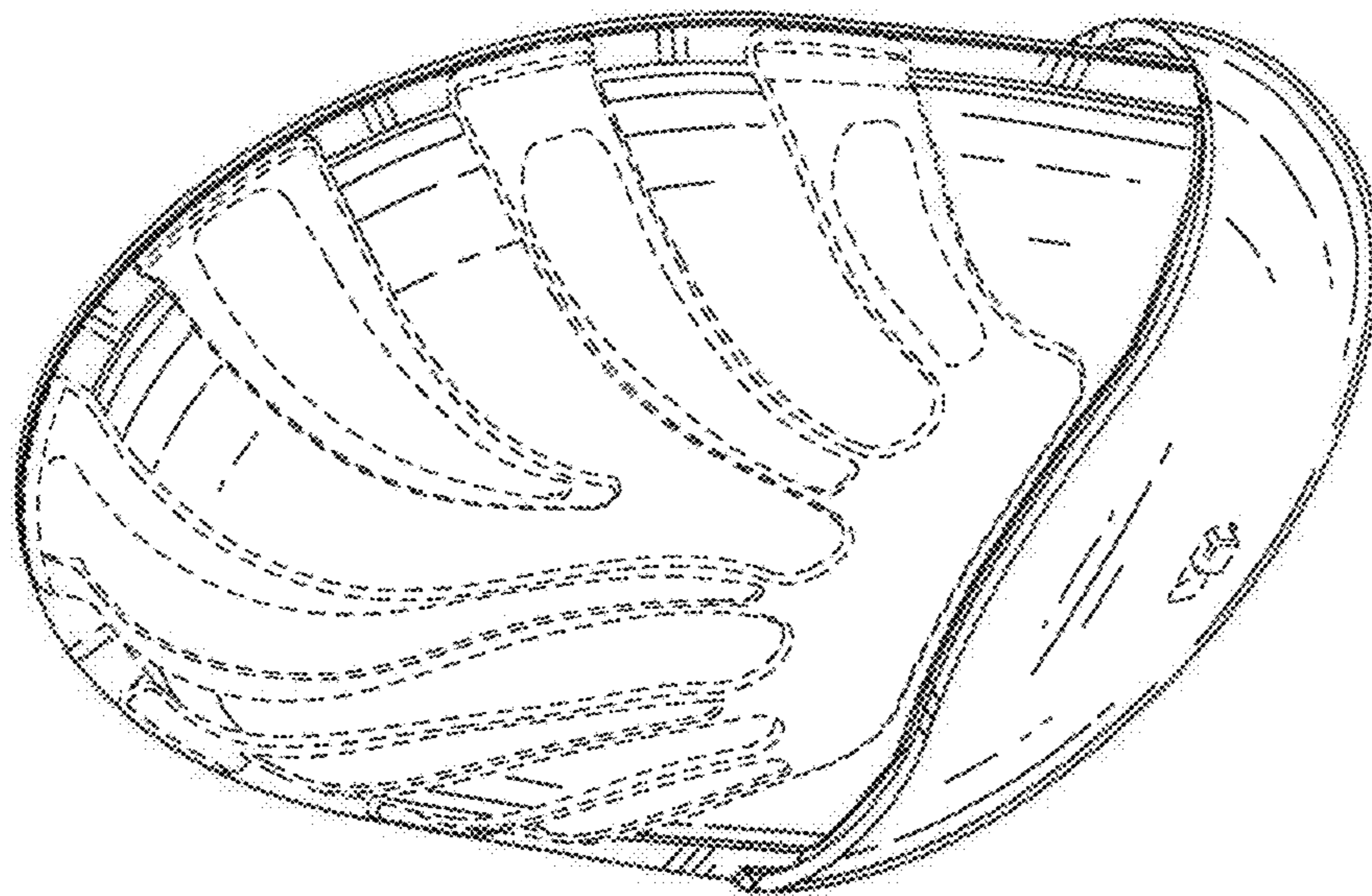


FIG. 1

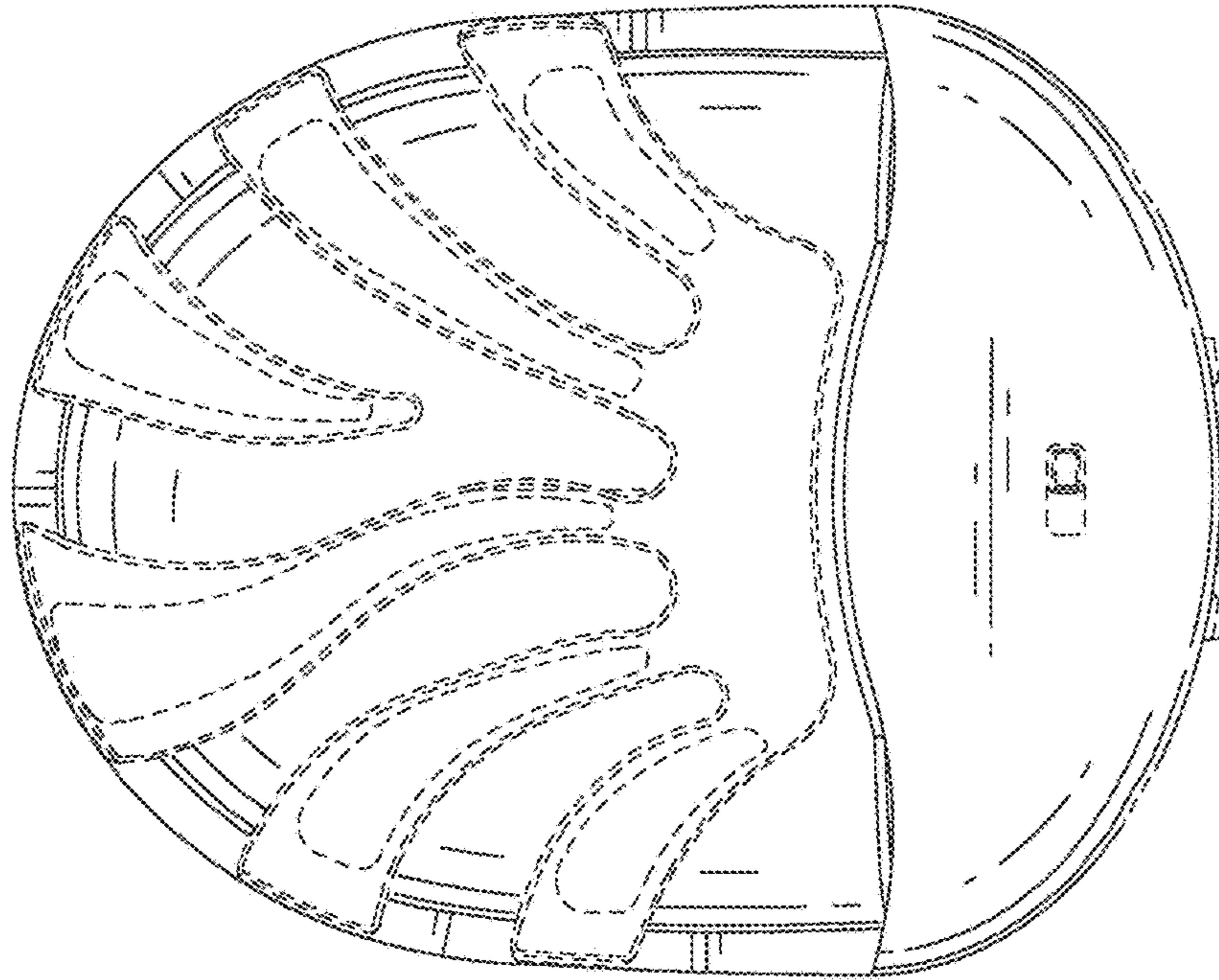


FIG. 4

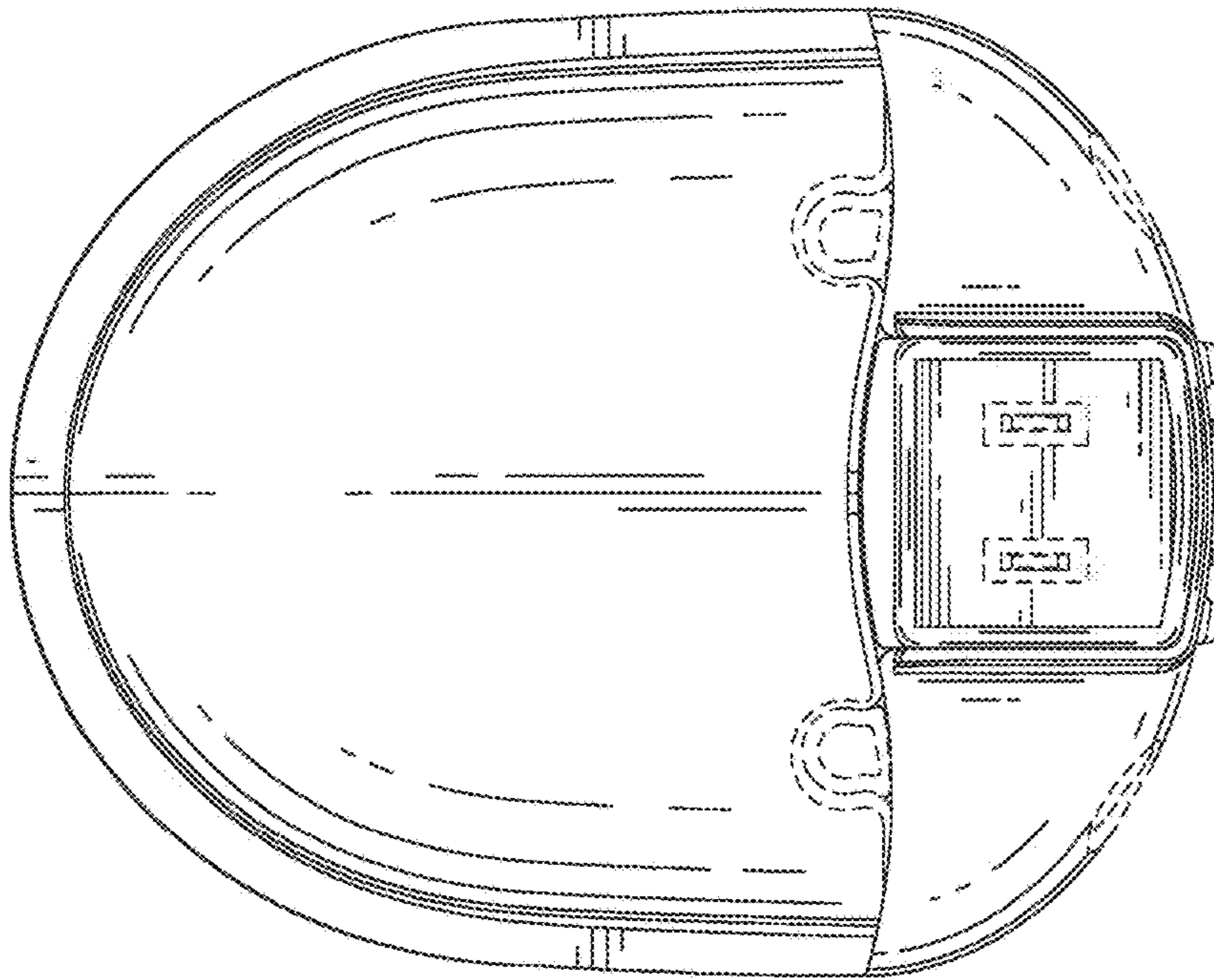


FIG. 3

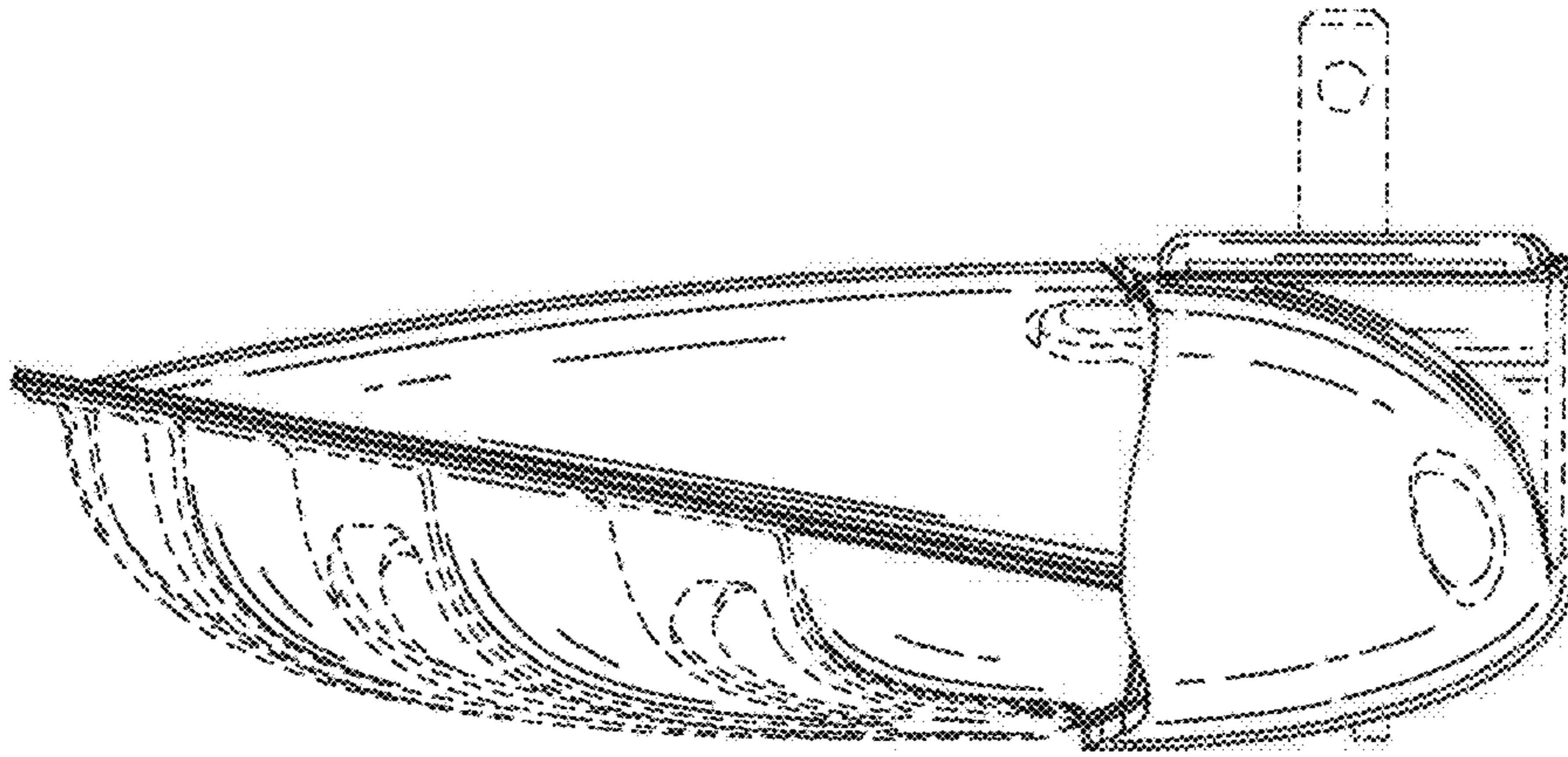


FIG. 5

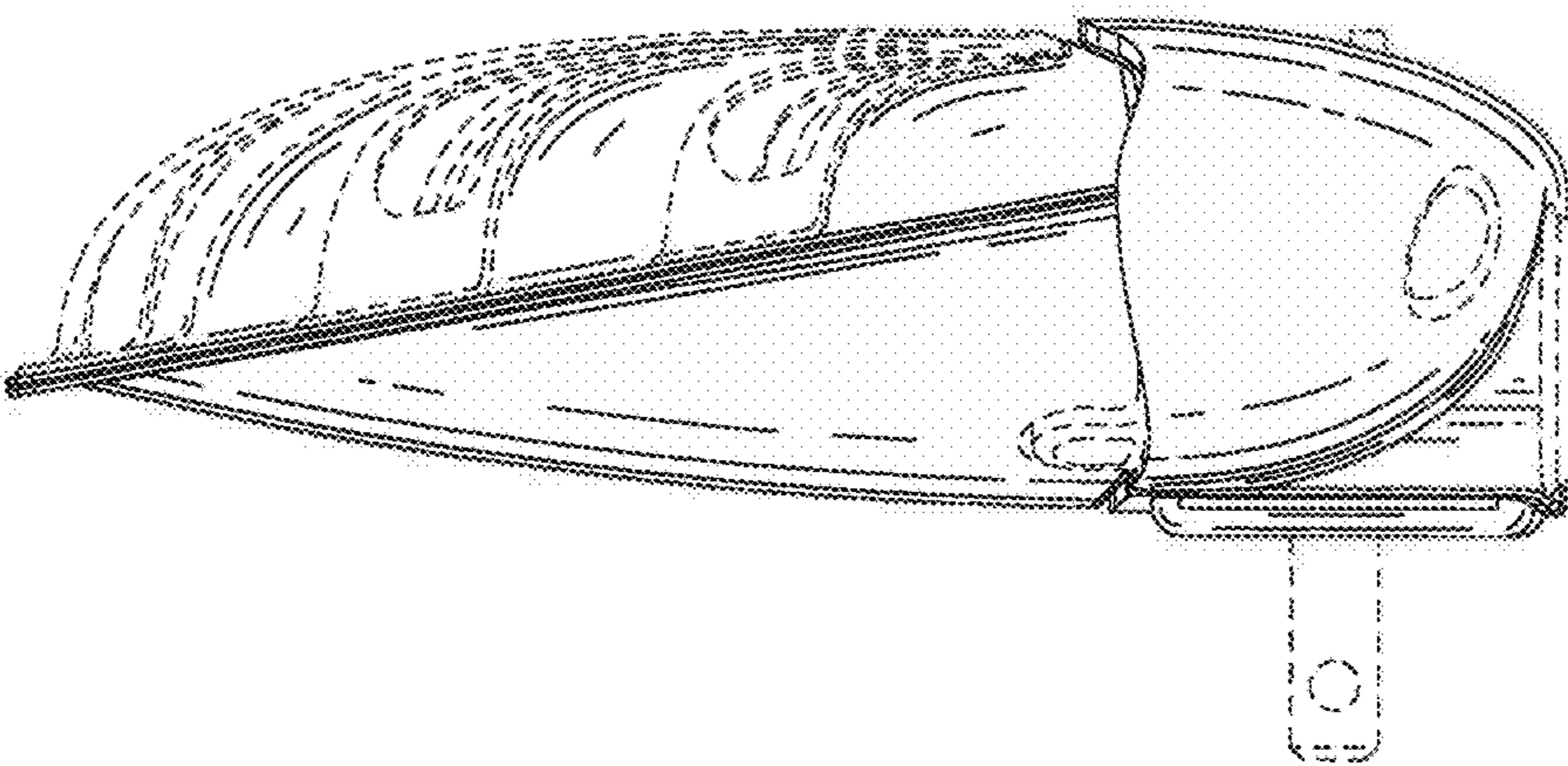


FIG. 6

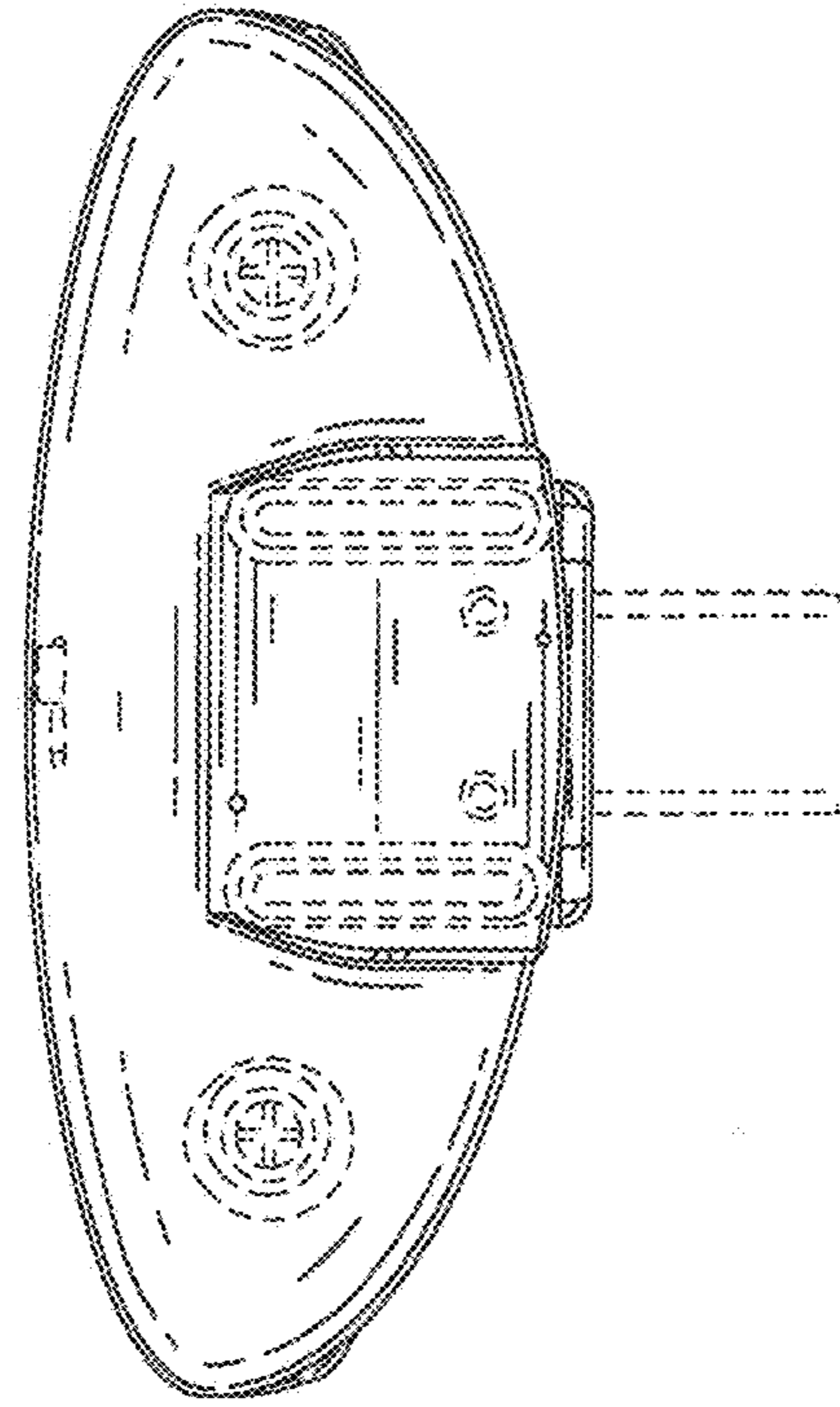


FIG. 7

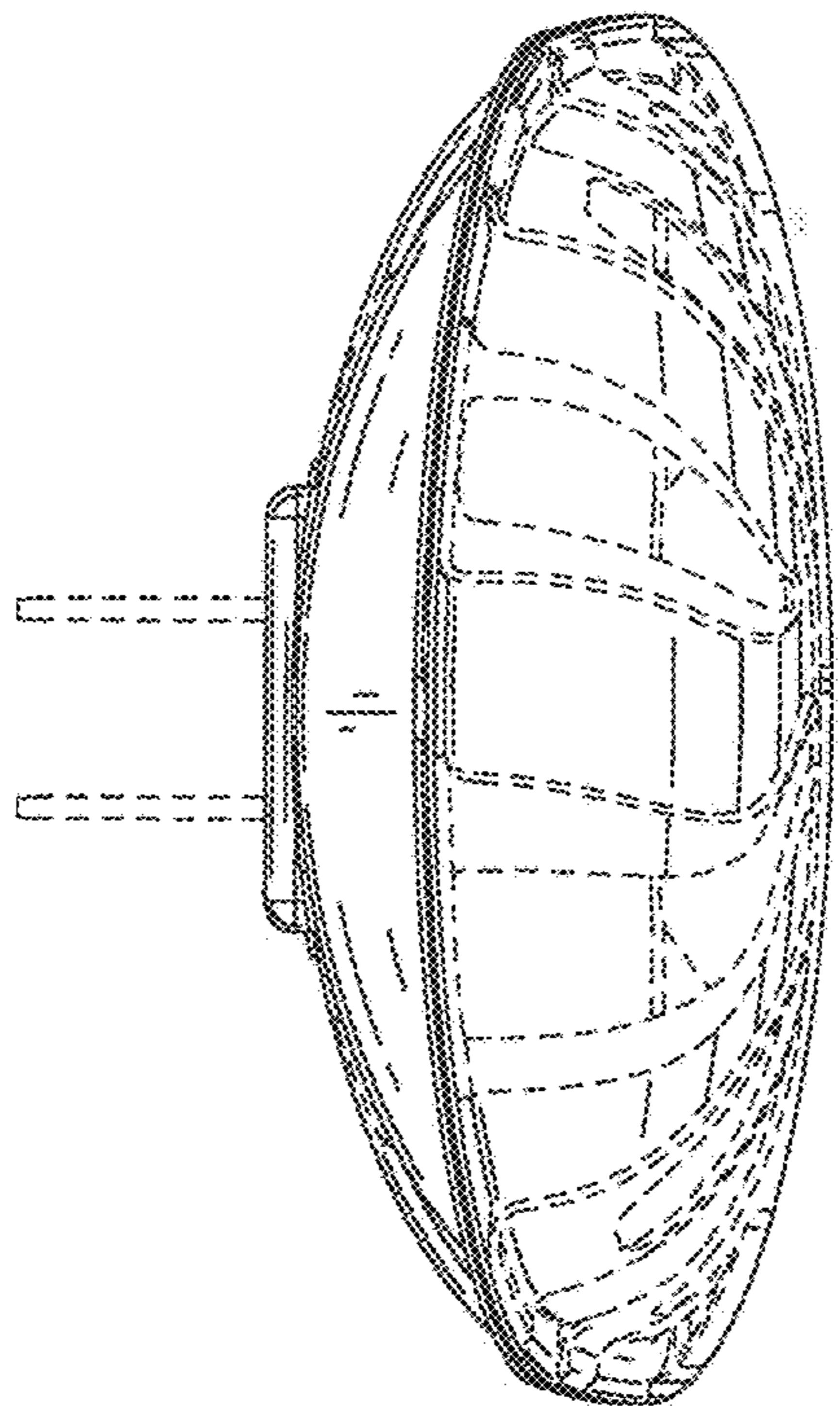


FIG. 8