



US00D780282S

(12) **United States Design Patent**
Riley

(10) **Patent No.:** **US D780,282 S**

(45) **Date of Patent:** **** Feb. 28, 2017**

- (54) **PELLET**
- (71) Applicant: **Sig Sauer, Inc.**, Newington, NH (US)
- (72) Inventor: **Louis F. Riley**, Weston, FL (US)
- (73) Assignee: **Sig Sauer, Inc.**, Newington, NH (US)
- (**) Term: **14 Years**
- (21) Appl. No.: **29/520,838**
- (22) Filed: **Mar. 18, 2015**
- (51) **LOC (10) Cl.** **22-03**
- (52) **U.S. Cl.**
USPC **D22/116**
- (58) **Field of Classification Search**
USPC D22/115-116
CPC F42B 30/02; F42B 5/02; F42B 5/26; F42B
12/34; F42B 8/04; F42B 10/22; F42B
8/14; F41A 9/83; F41A 9/82; F41A 9/01;
F41A 9/09; F41A 9/86
See application file for complete search history.

- 5,116,224 A * 5/1992 Kelsey, Jr. F42B 10/22
102/439
- 5,208,424 A * 5/1993 Schluckebier F42B 12/34
102/509
- 6,244,186 B1 * 6/2001 Pichard F42B 6/10
102/501
- D732,635 S * 6/2015 Riley D22/116
- D748,220 S * 1/2016 Fricke D22/116
- 9,329,003 B2 * 5/2016 Peterson F42B 5/02
- 9,341,455 B2 * 5/2016 Fricke F42B 12/34
- 9,354,027 B2 * 5/2016 Flint F42B 12/367

* cited by examiner

Primary Examiner — Michael A Pratt

(74) *Attorney, Agent, or Firm* — Finch & Maloney PLLC

(57) **CLAIM**

The ornamental design for a pellet, as shown and described.

DESCRIPTION

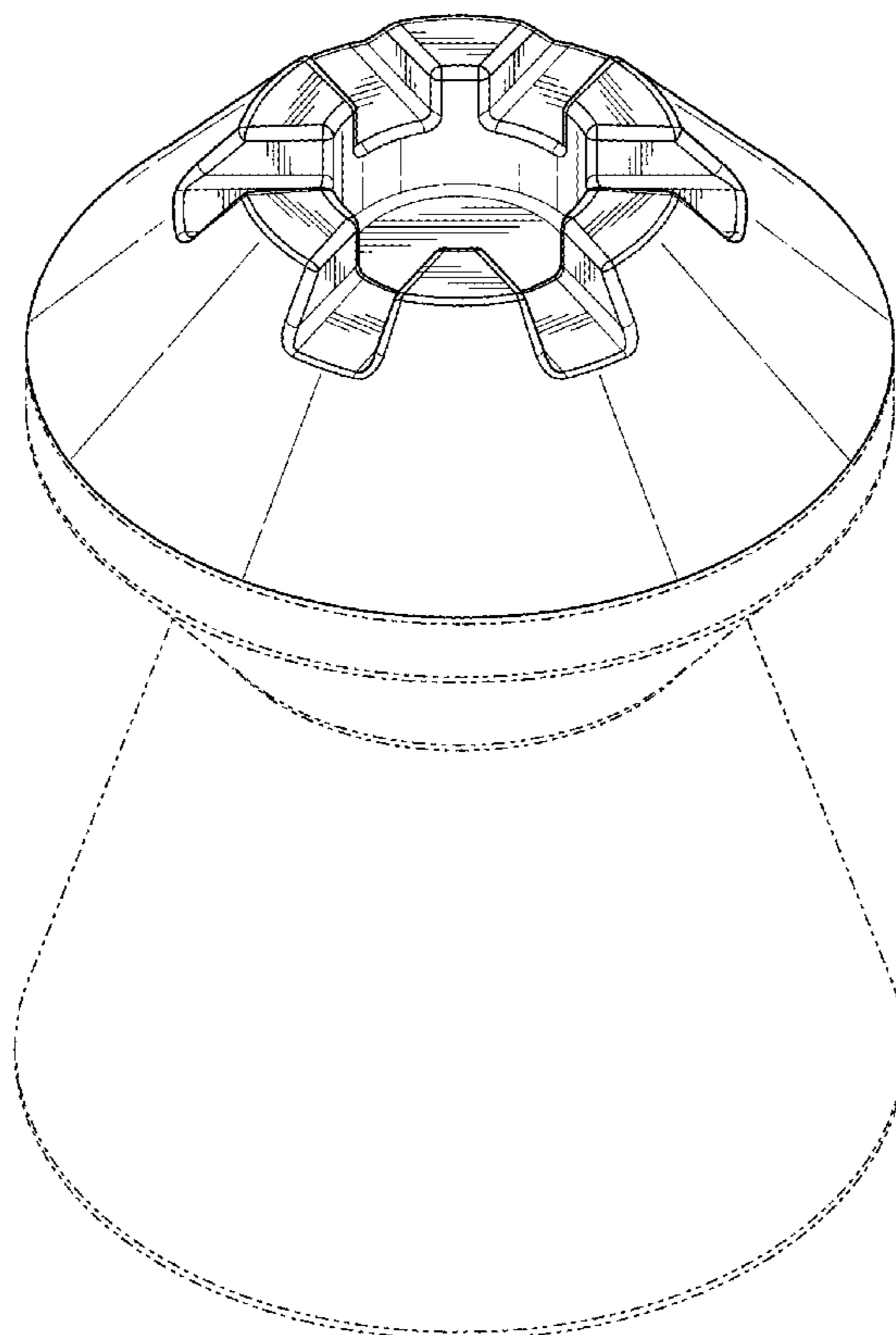
FIG. 1 is a perspective view of a pellet showing my new design;
 FIG. 2 is a front elevation view of the pellet, the rear elevation view of the pellet being identical;
 FIG. 3 is a right elevation view of the pellet, the left elevation view of the pellet being identical; and,
 FIG. 4 is a top elevation view of the pellet.
 The broken lines in the figures are for the purpose of illustrating environmental structure only and form no part of the claimed design.

1 Claim, 4 Drawing Sheets

(56) **References Cited**

U.S. PATENT DOCUMENTS

- 2,936,709 A * 5/1960 Seavey F42B 5/26
102/469
- 4,776,279 A * 10/1988 Pejsa F42B 12/34
102/510



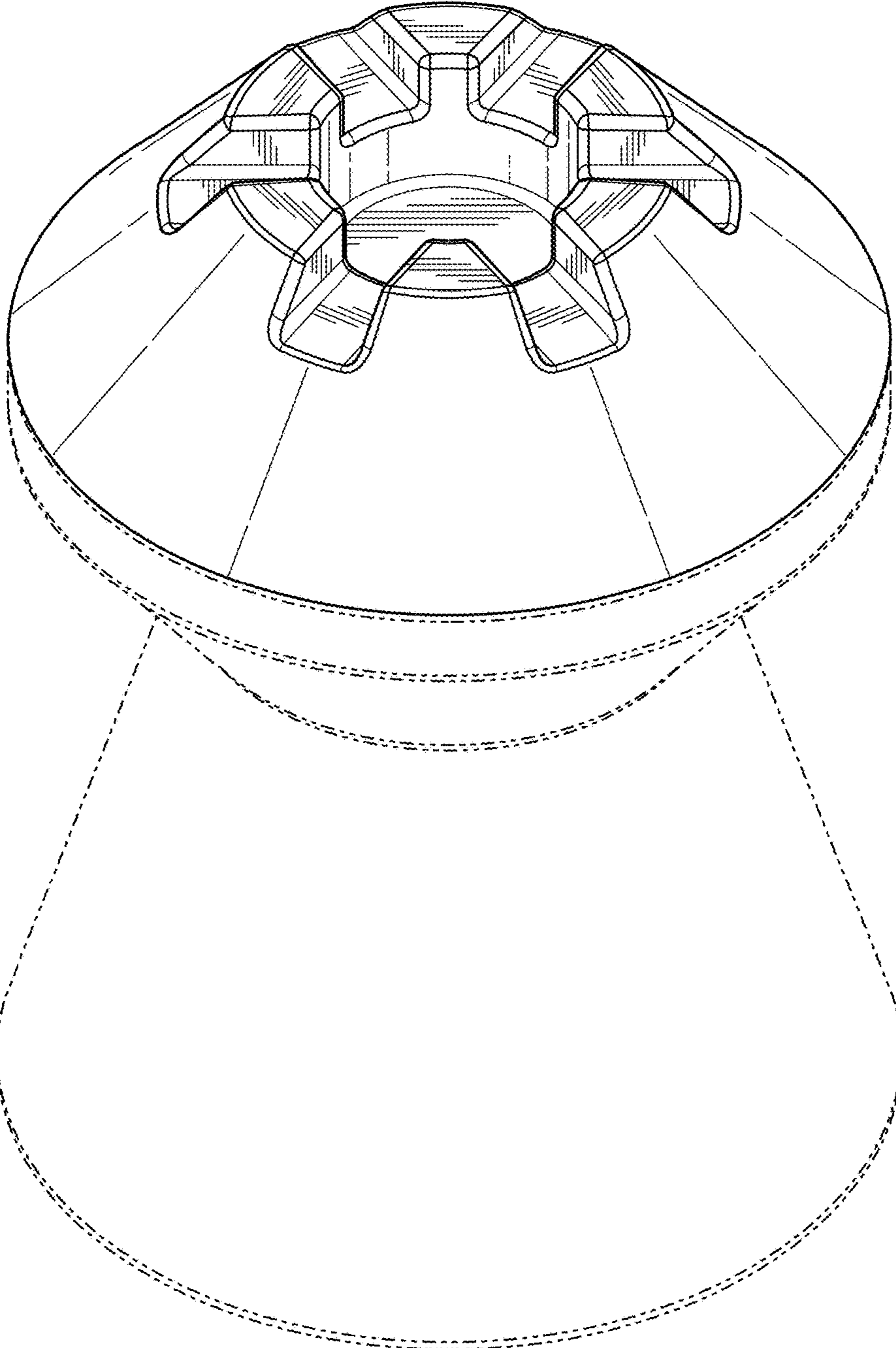


FIG. 1

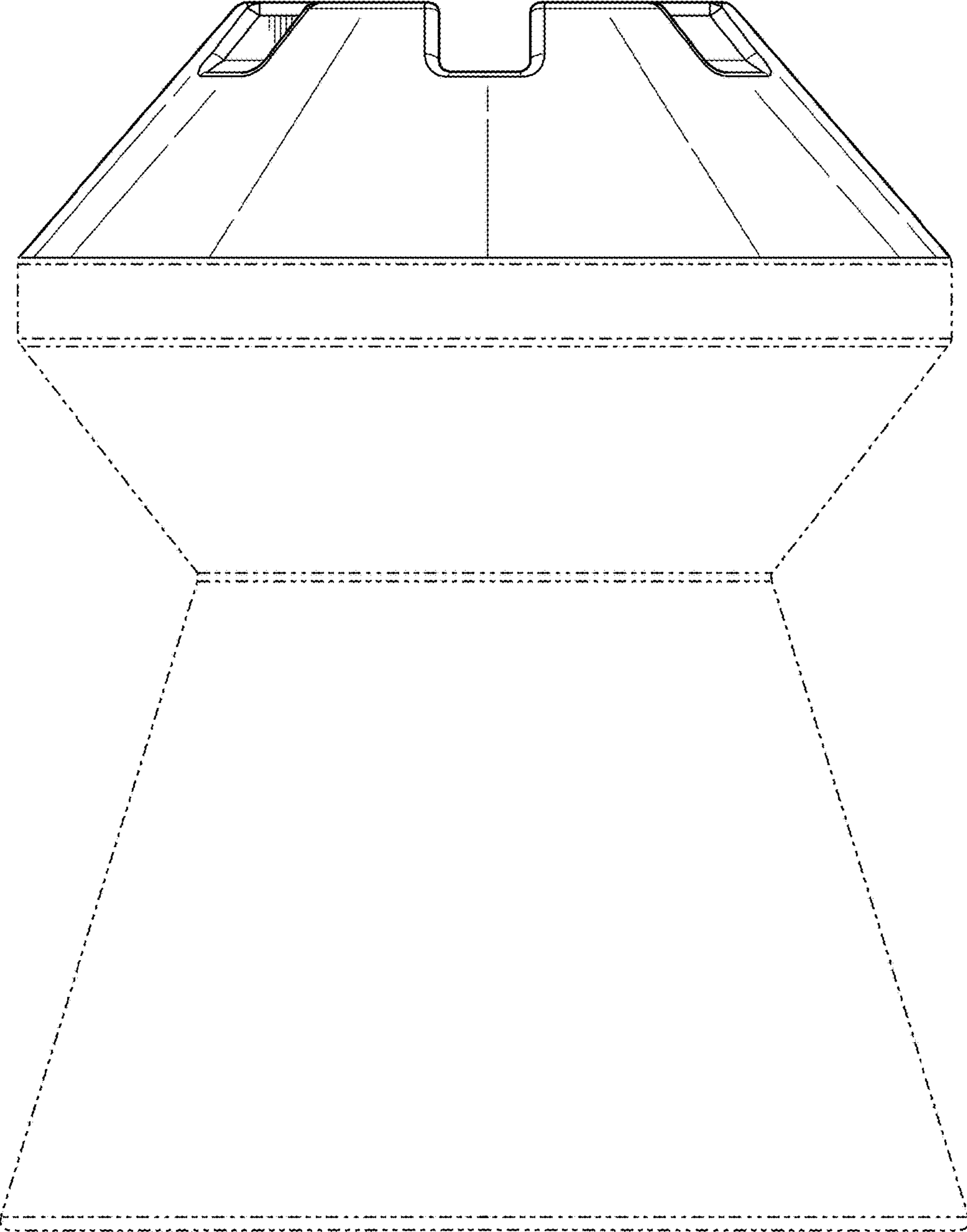


FIG. 2

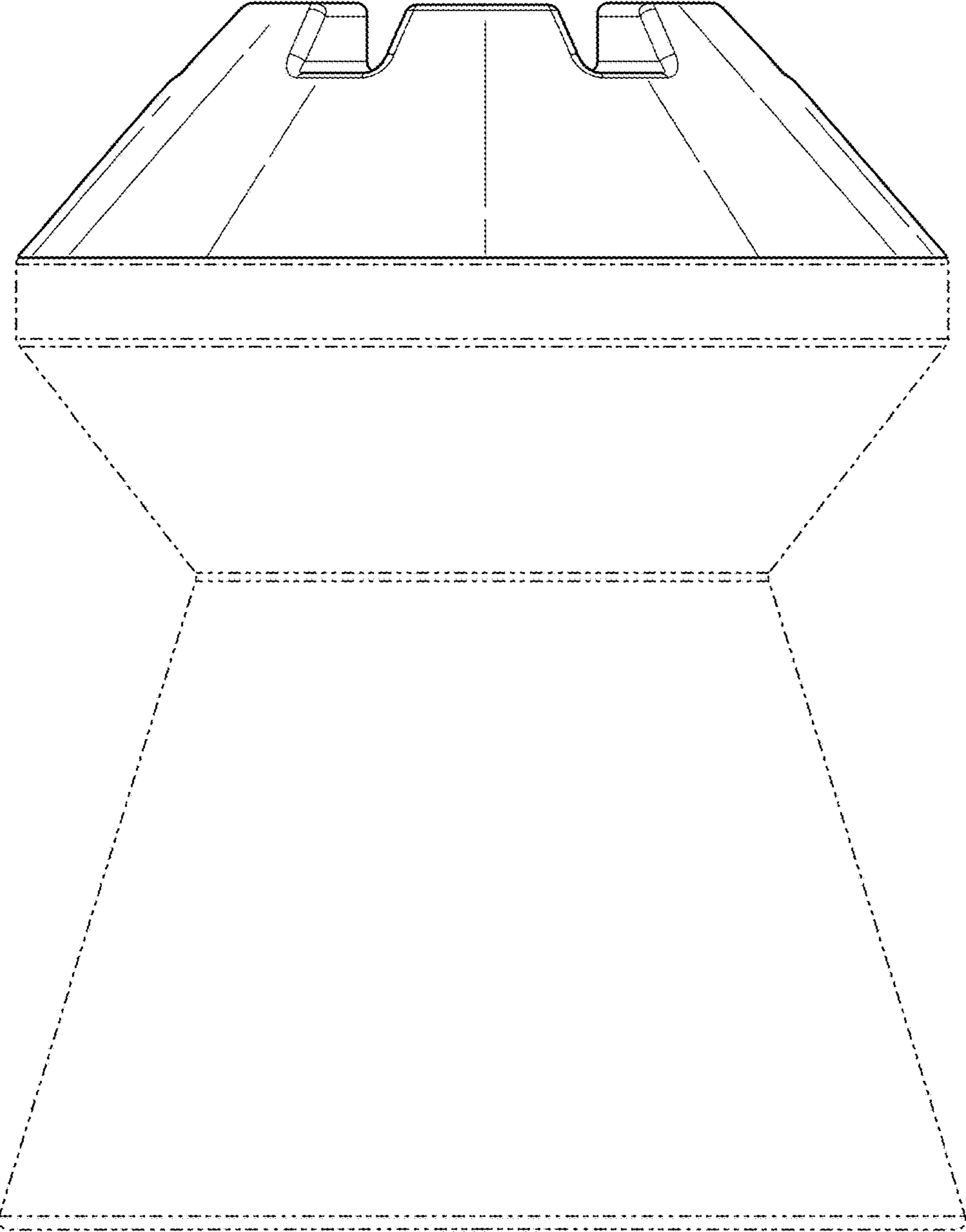


FIG. 3

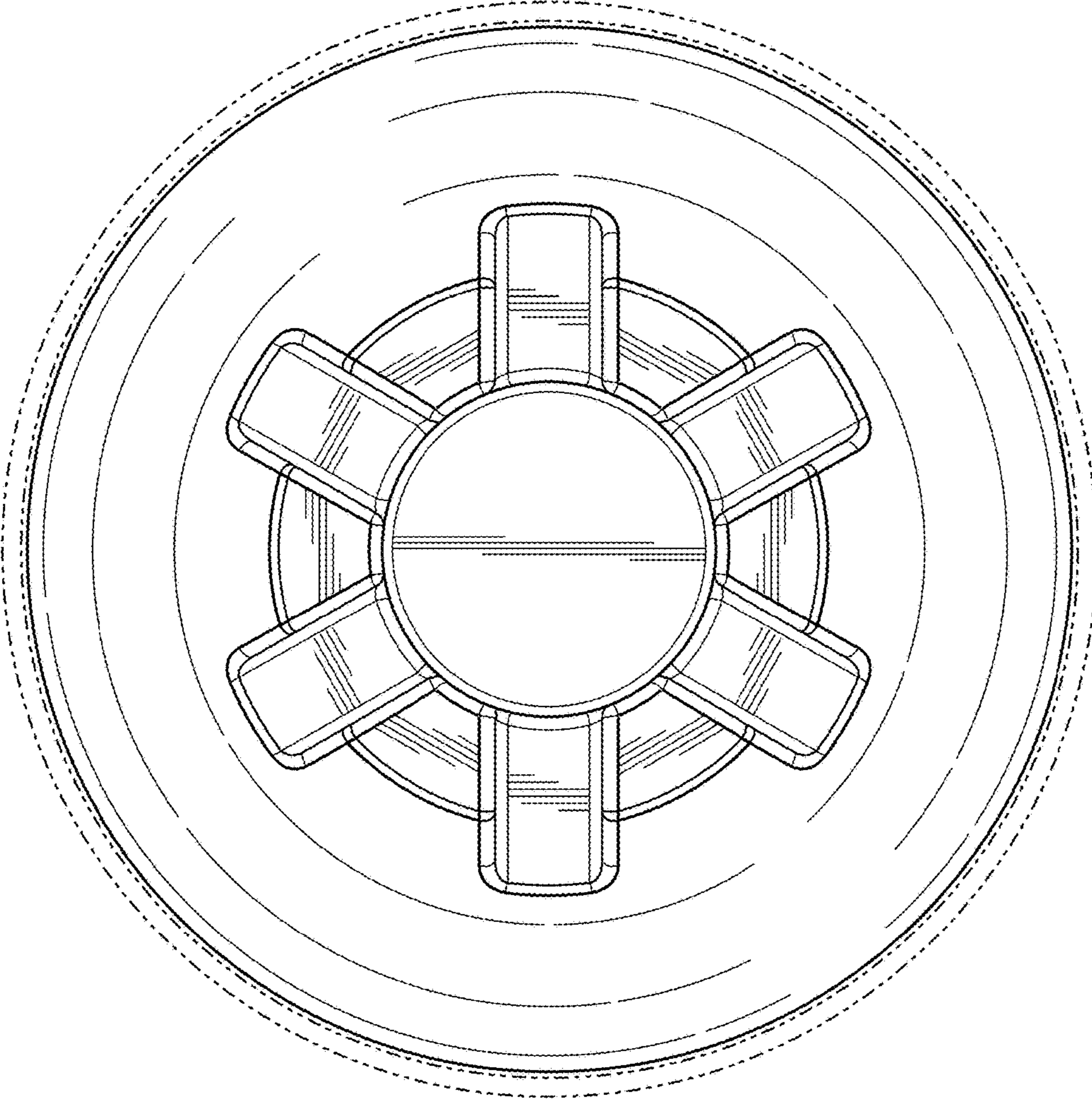


FIG. 4