



US00D780280S

(12) **United States Design Patent**  
**Niswander et al.**

(10) **Patent No.:** **US D780,280 S**

(45) **Date of Patent:** **\*\* Feb. 28, 2017**

(54) **PORTION OF A HANDGUN FRAME**

(71) Applicant: **Agency Arms, LLC**, Camarillo, CA (US)

(72) Inventors: **Randy Paul Niswander**, Oxnard, CA (US); **Michael Lee Parks**, Canyon Country, CA (US)

(73) Assignee: **AGENCY ARMS, LLC**, Camarillo, CA (US)

(\*\*) Term: **15 Years**

(21) Appl. No.: **29/543,026**

(22) Filed: **Oct. 20, 2015**

(51) **LOC (10) Cl.** ..... **22-01**

(52) **U.S. Cl.**  
USPC ..... **D22/108**

(58) **Field of Classification Search**  
USPC ..... D22/103, 108; D21/572-575  
CPC ..... F41C 23/10; F41C 23/14; F41C 23/16;  
F41C 23/18  
See application file for complete search history.

(56) **References Cited**

**U.S. PATENT DOCUMENTS**

D767,075 S \* 9/2016 Grossman ..... D22/108

**OTHER PUBLICATIONS**

RedWolf Airsoft—YouTube, RWA Agency Arms Urban Combat Slide Kit—RedWolf Airsoft RWTV, Mar. 2, 2016, [site visited on

Nov. 4, 2016], Available on the Internet: URL<[https://www.youtube.com/watch?v=MQyg\\_Z6fEK0](https://www.youtube.com/watch?v=MQyg_Z6fEK0)>.\*

Guns America, Agency Arms Glock 21 SF TB Urban Combat .45, publication date unknown, [site visited Nov. 4, 2016], Available on the Internet: URL<<https://www.gunsamerica.com/934774472/Agency-Arms-Glock-21-SF-TB-Urban-Combat-45-45.htm>>.\*

\* cited by examiner

*Primary Examiner* — Susan Bennett Hattan

*Assistant Examiner* — S. Bryan Reinholdt, Jr.

(74) *Attorney, Agent, or Firm* — Sutherland Asbill & Brennan LLP

(57) **CLAIM**

The ornamental design for a portion of a handgun frame, as shown and described.

**DESCRIPTION**

FIG. 1 is a side view of a portion of a handgun frame according to our new design;

FIG. 2 is a side view thereof;

FIG. 3 is a perspective view thereof;

FIG. 4 is a perspective view thereof;

FIG. 5 is a perspective view thereof;

FIG. 6 is a perspective view thereof;

FIG. 7 is a perspective view thereof;

FIG. 8 is a perspective view thereof;

FIG. 9 is a perspective view thereof;

FIG. 10 is a perspective view thereof;

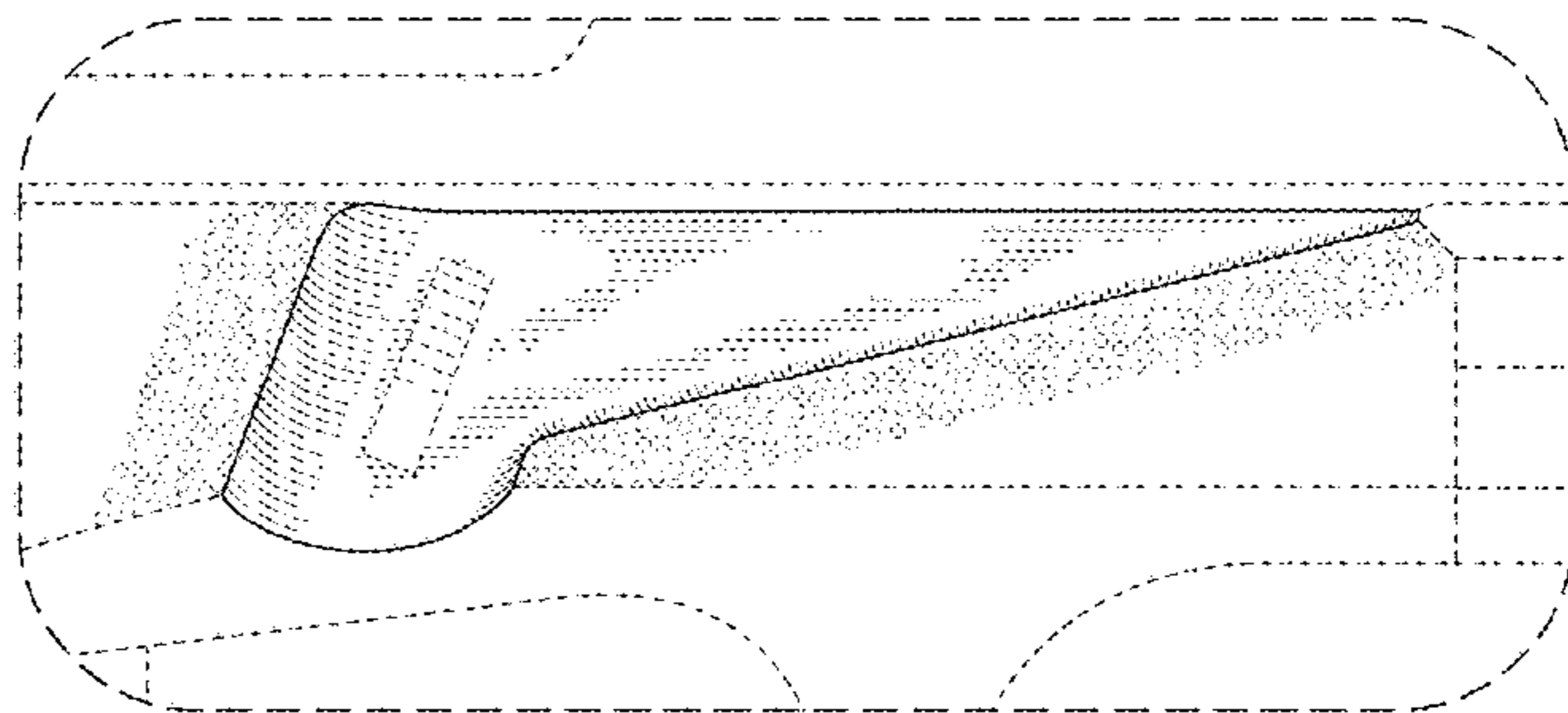
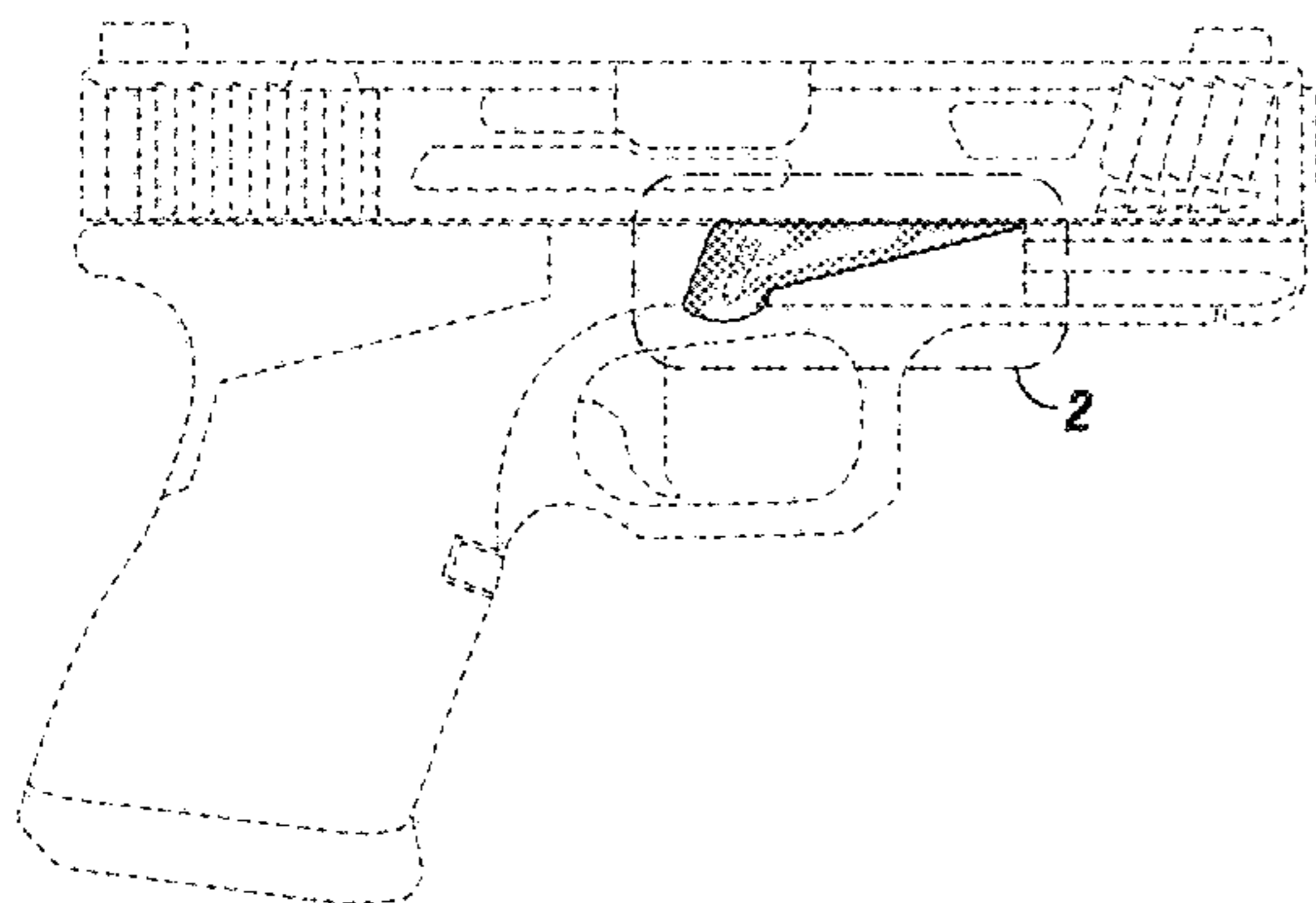
FIG. 11 is a perspective view thereof;

FIG. 12 is a perspective view thereof;

FIG. 13 is a top view thereof; and,

FIG. 14 is a top view thereof.

**1 Claim, 7 Drawing Sheets**



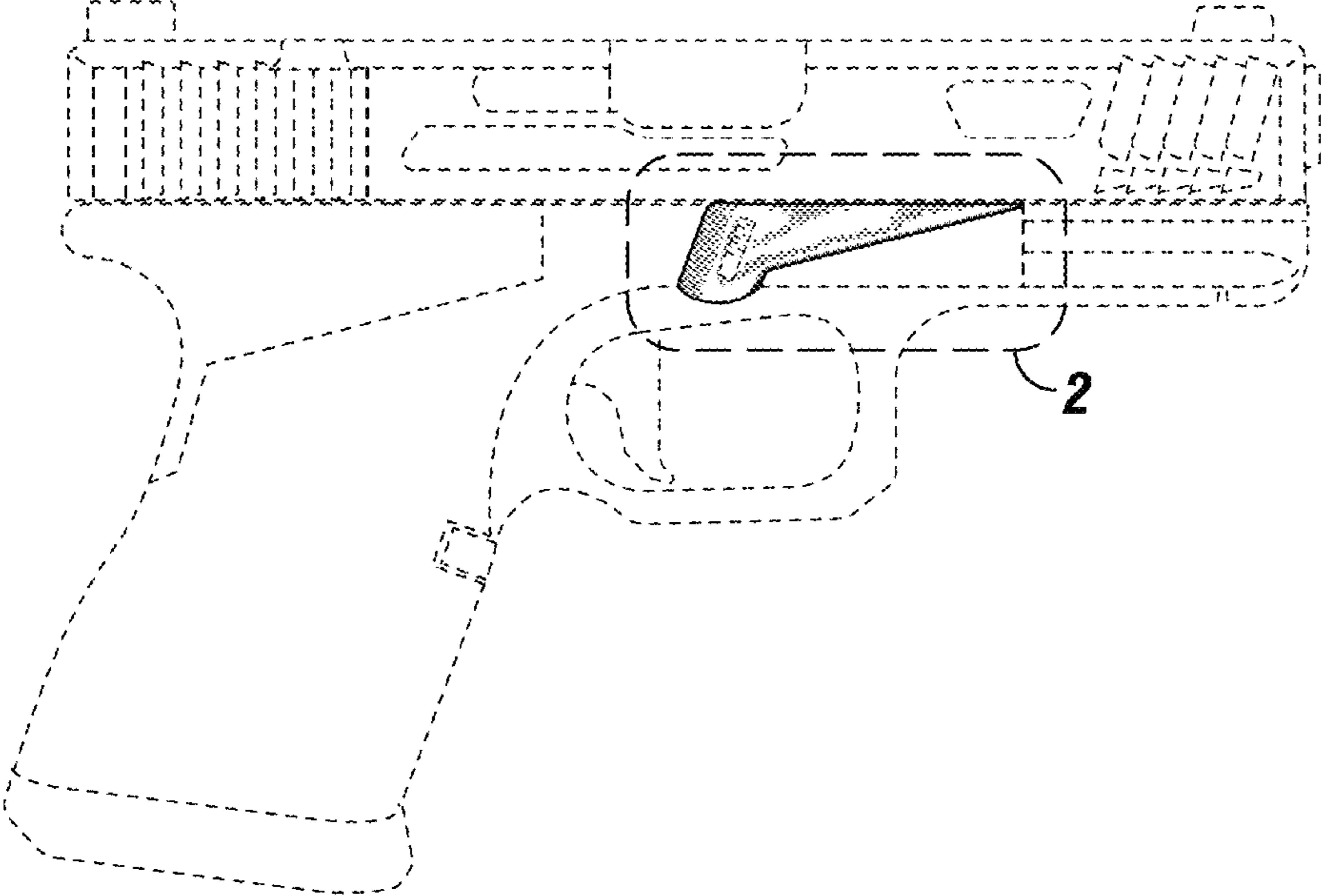


FIG. 1

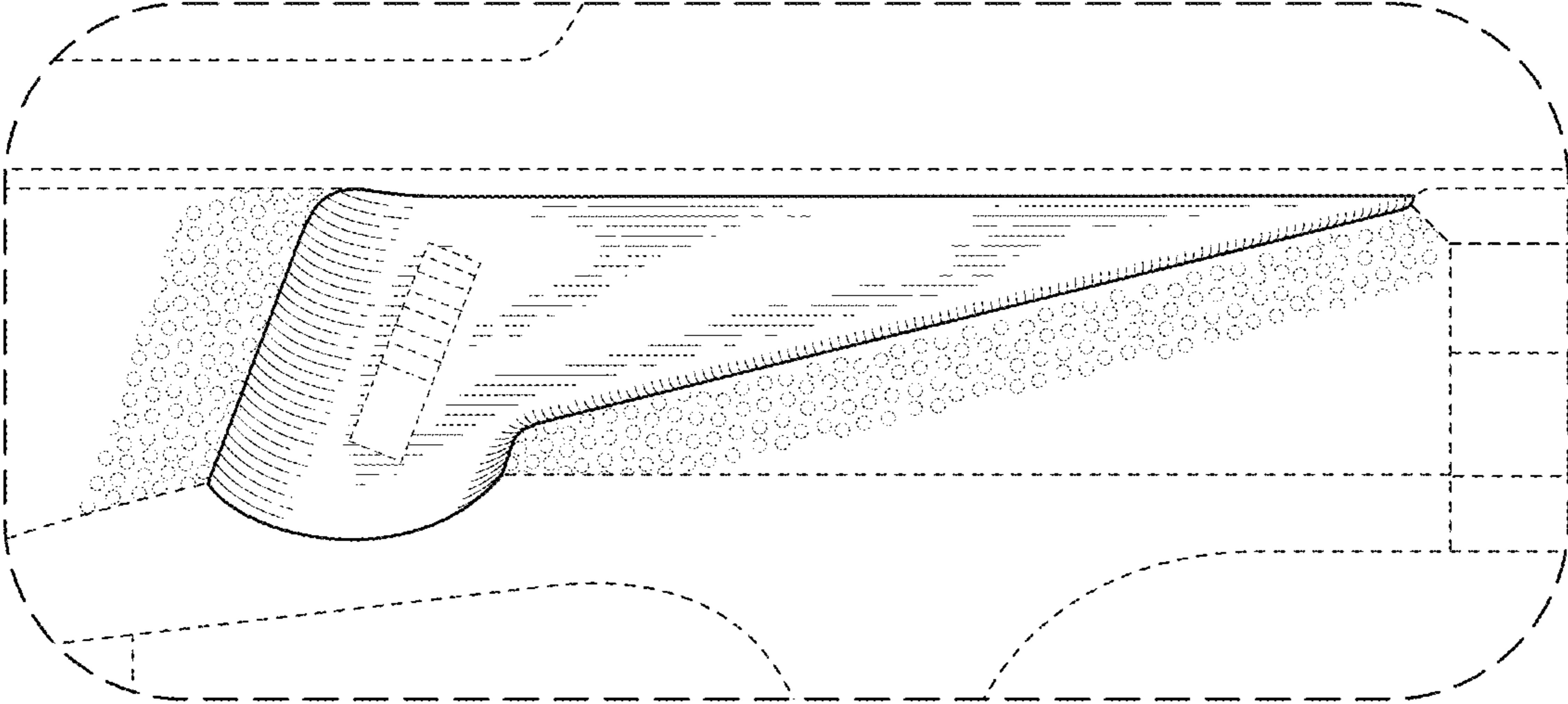
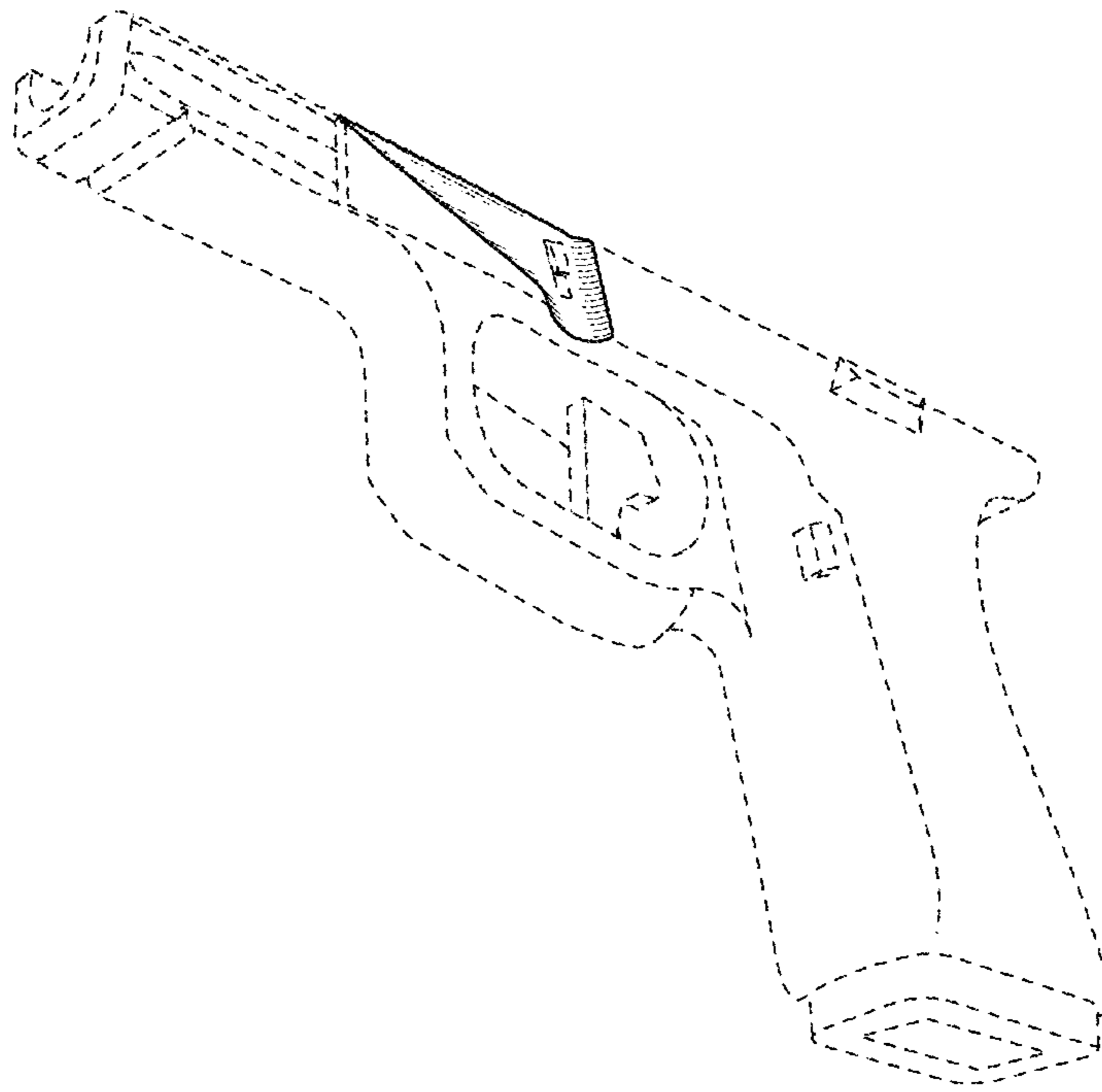
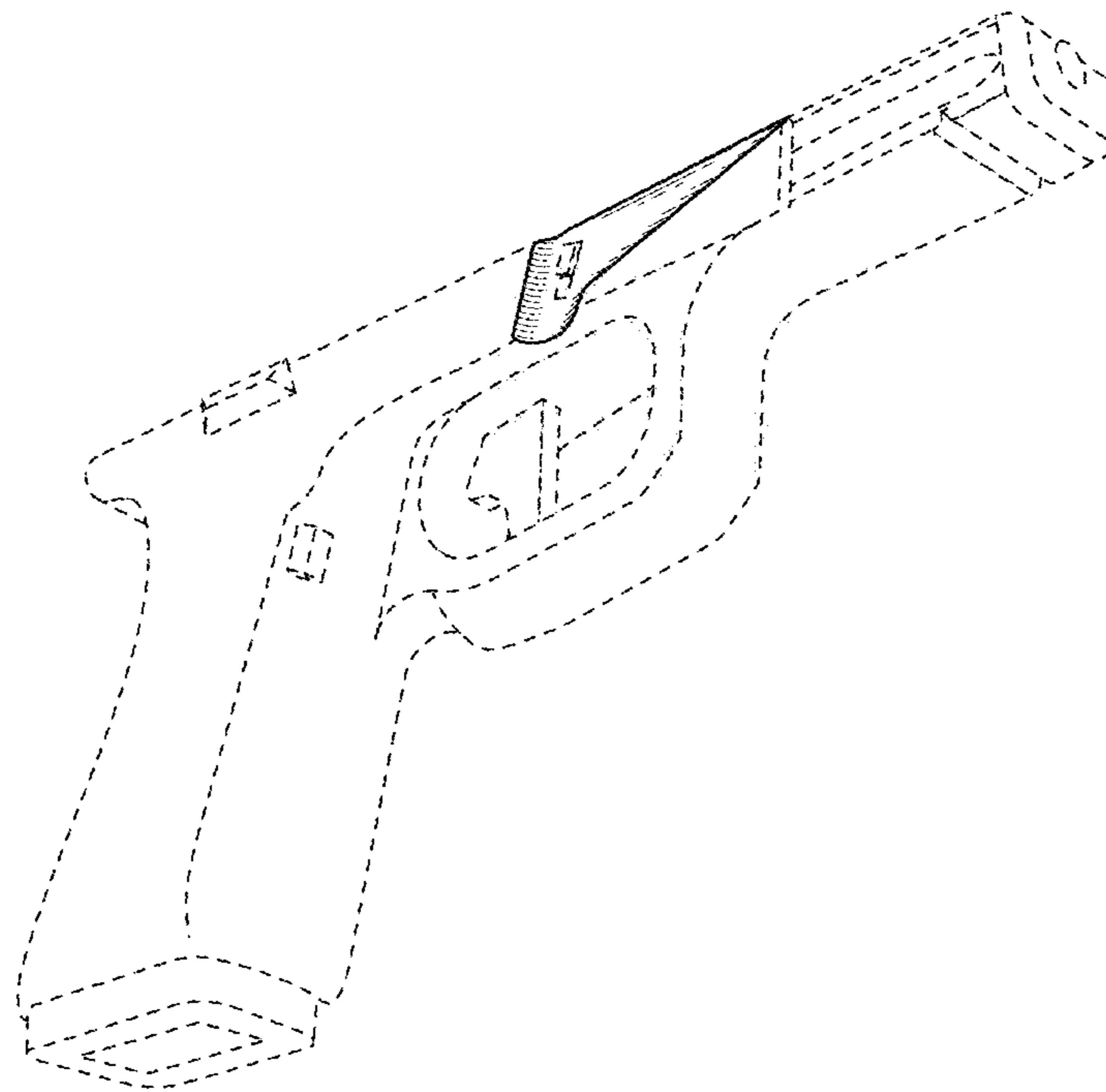


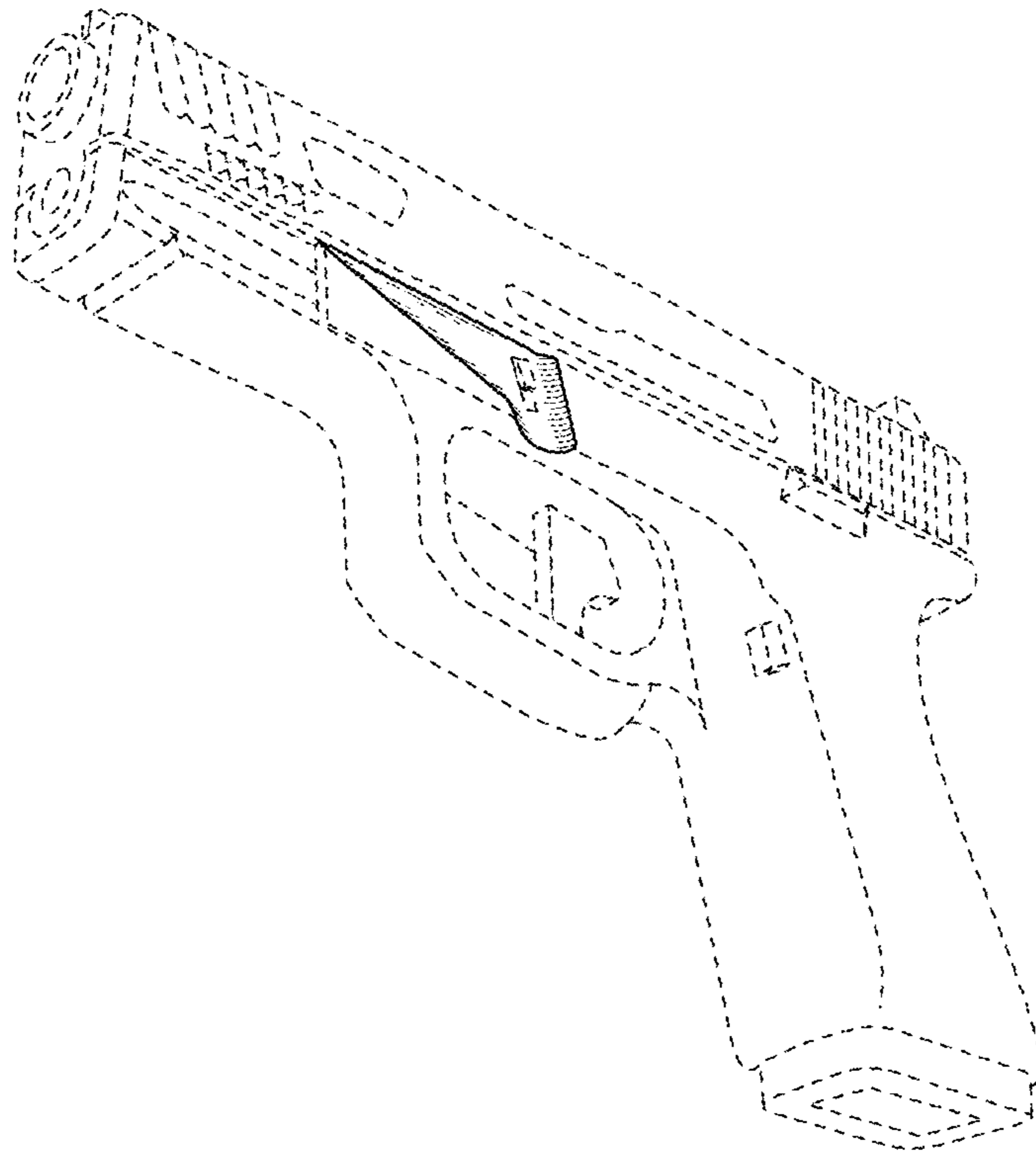
FIG. 2



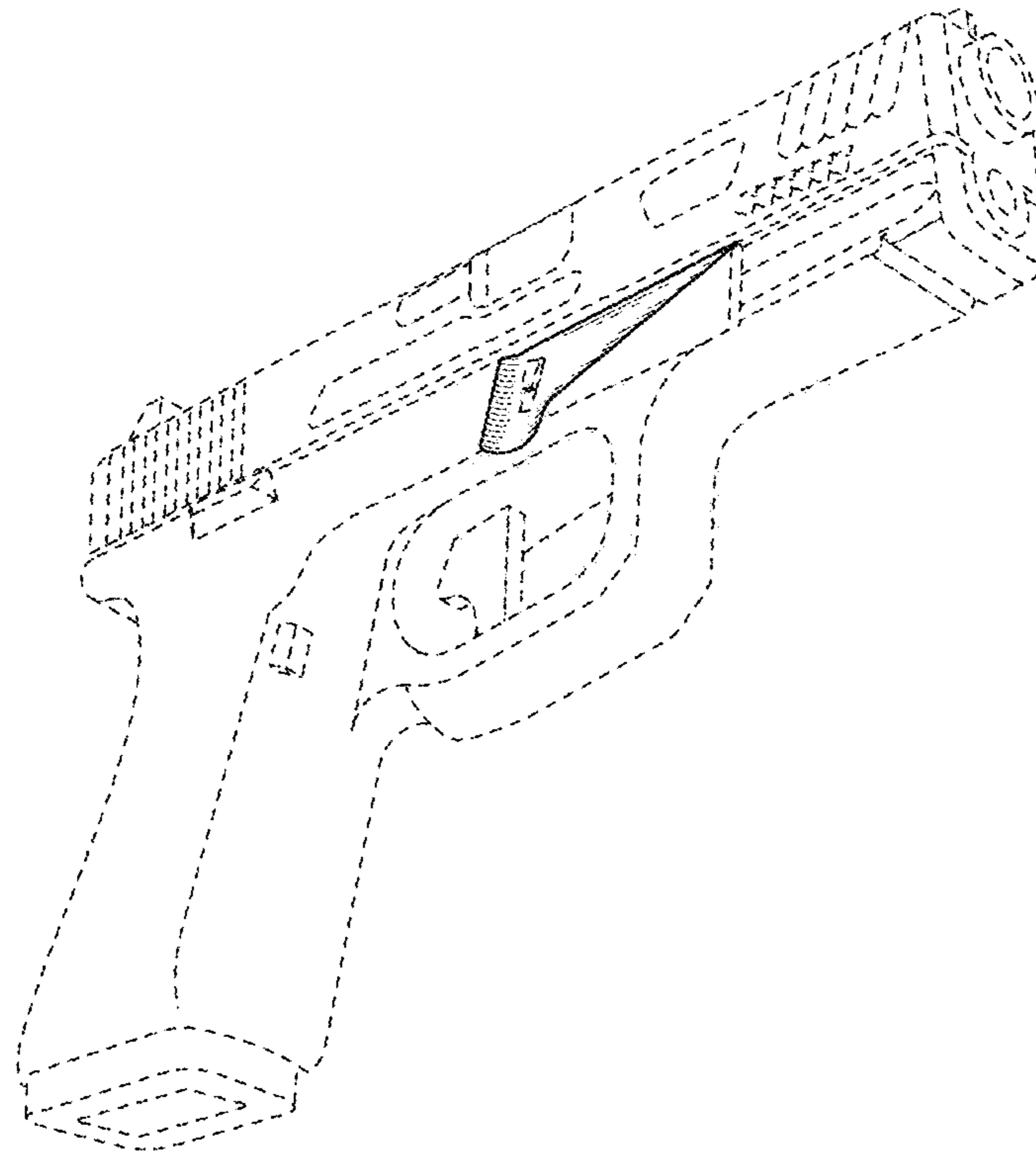
**FIG. 3**



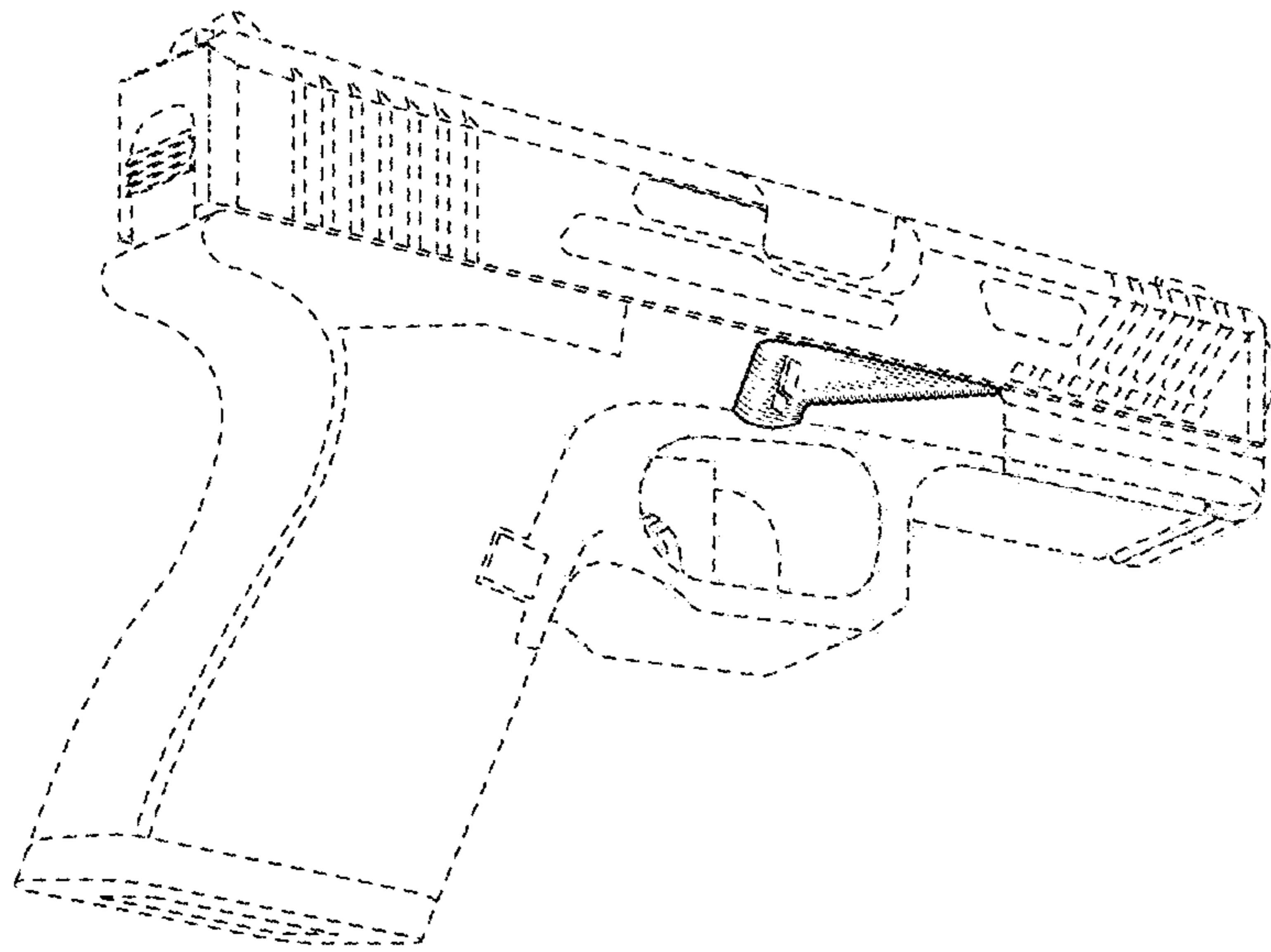
**FIG. 4**



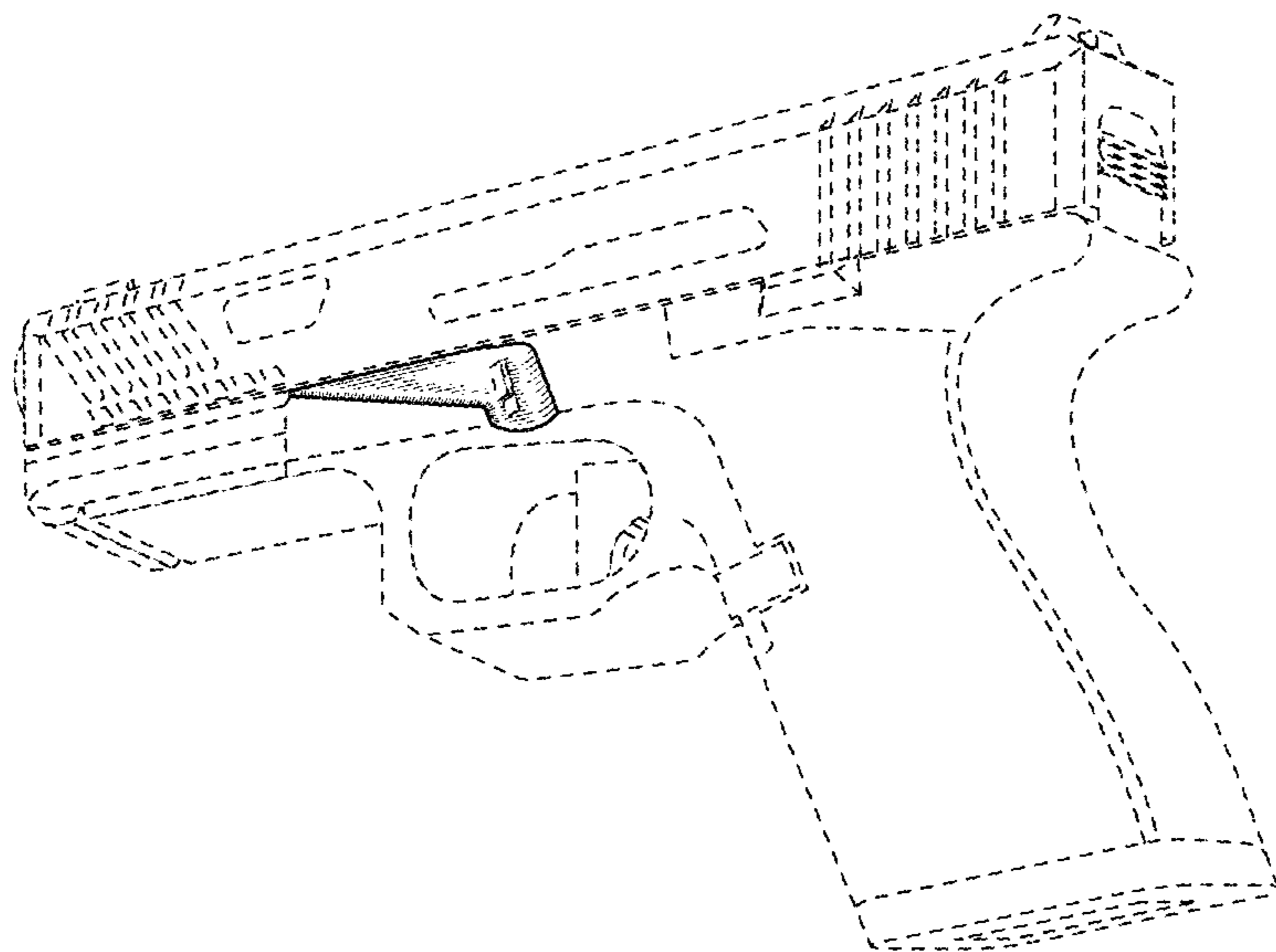
**FIG. 5**



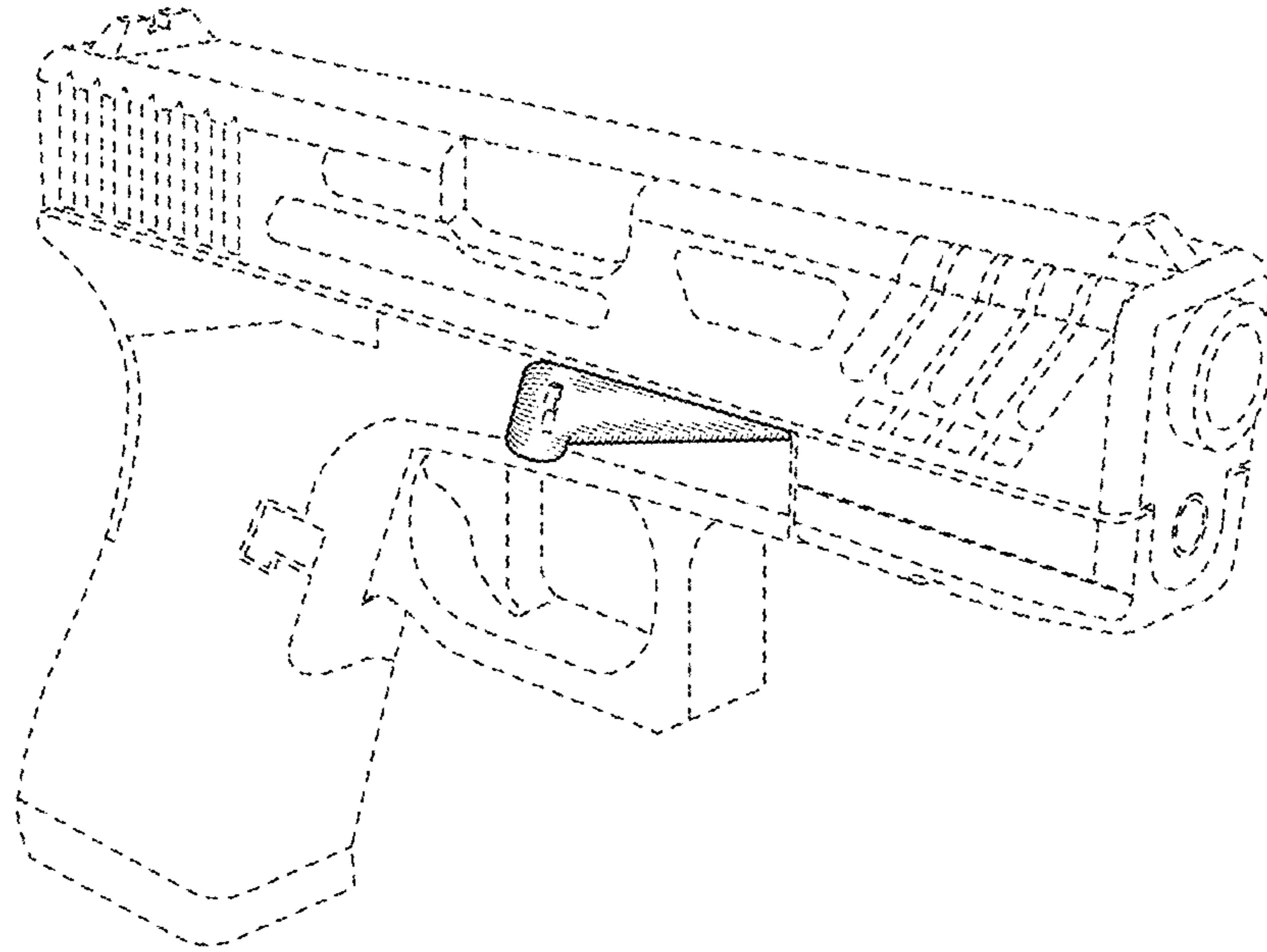
**FIG. 6**



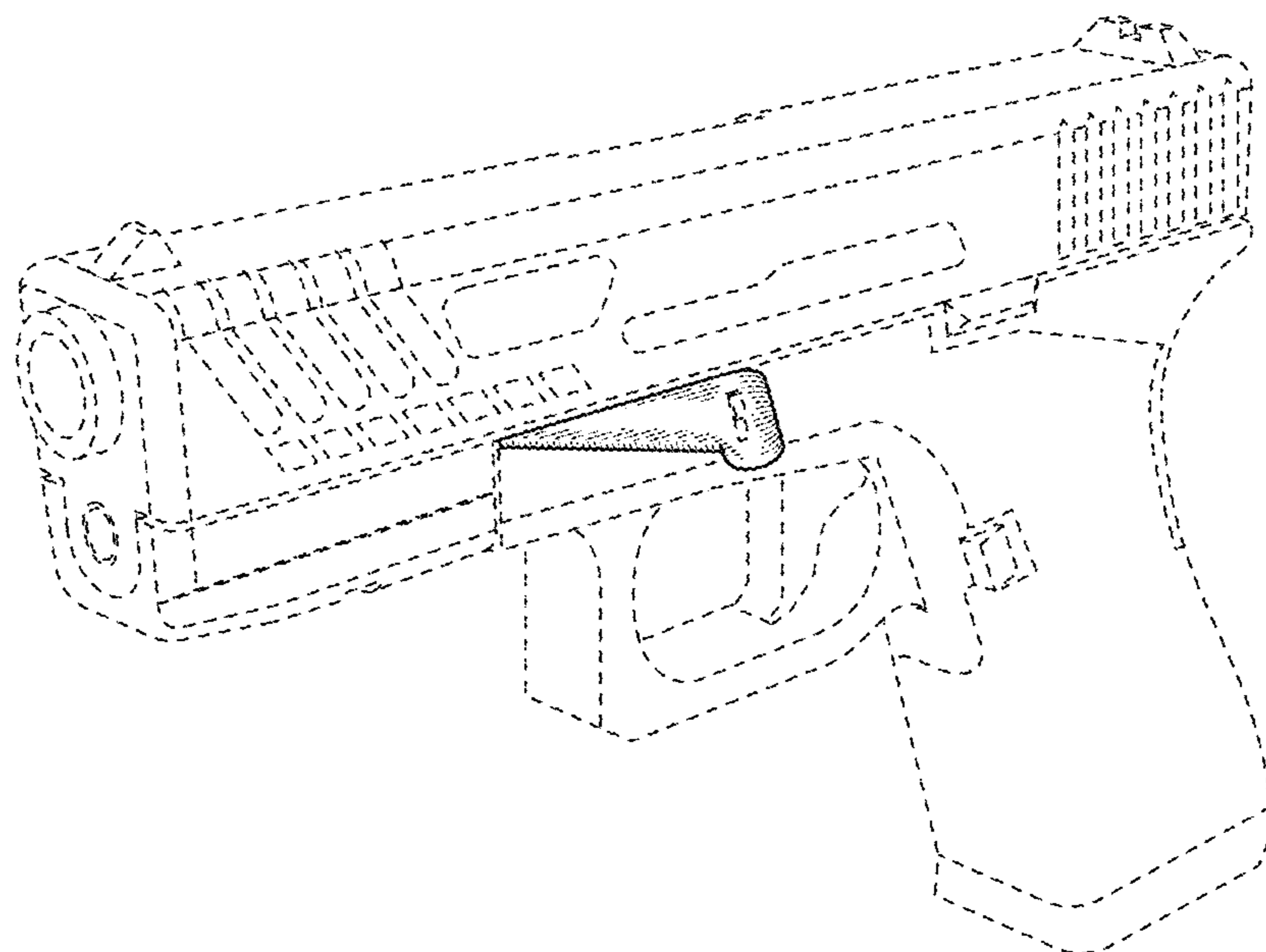
**FIG. 7**



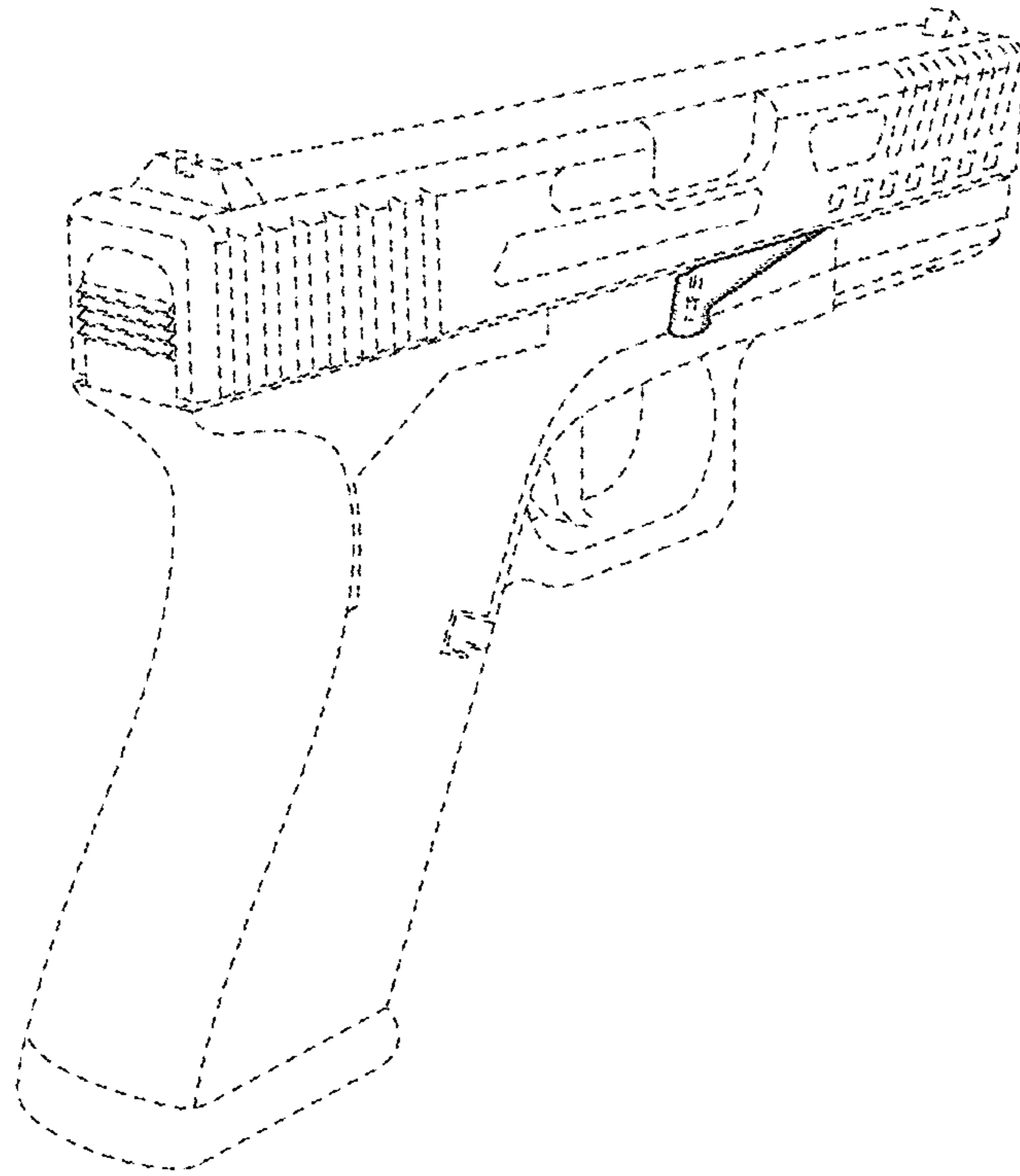
**FIG. 8**



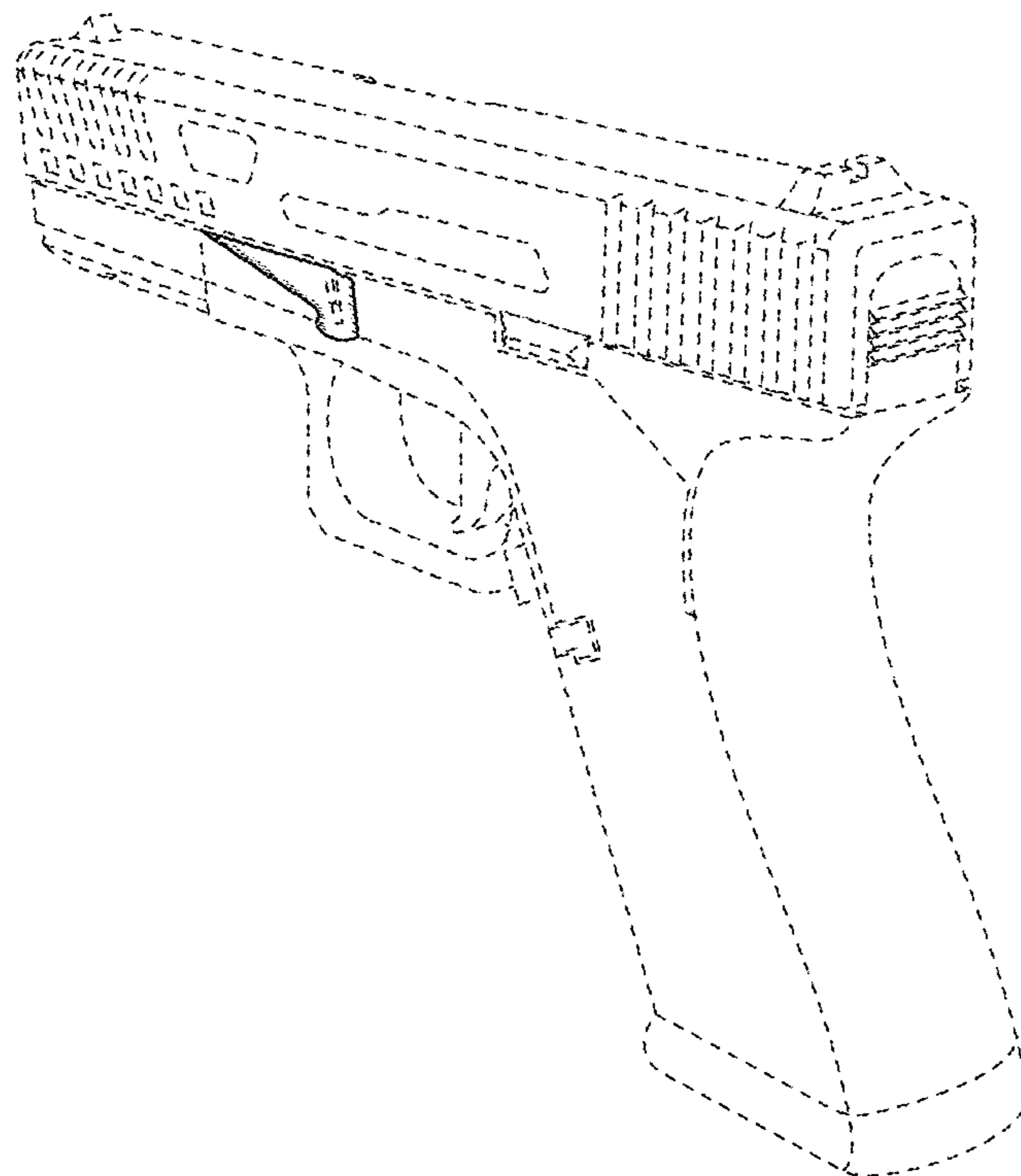
**FIG. 9**



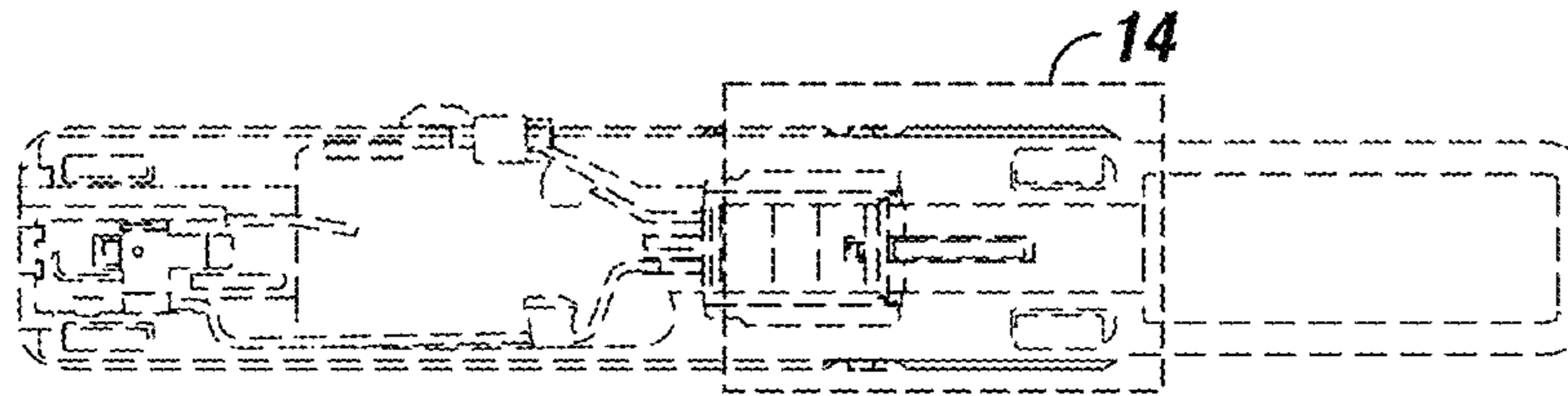
**FIG. 10**



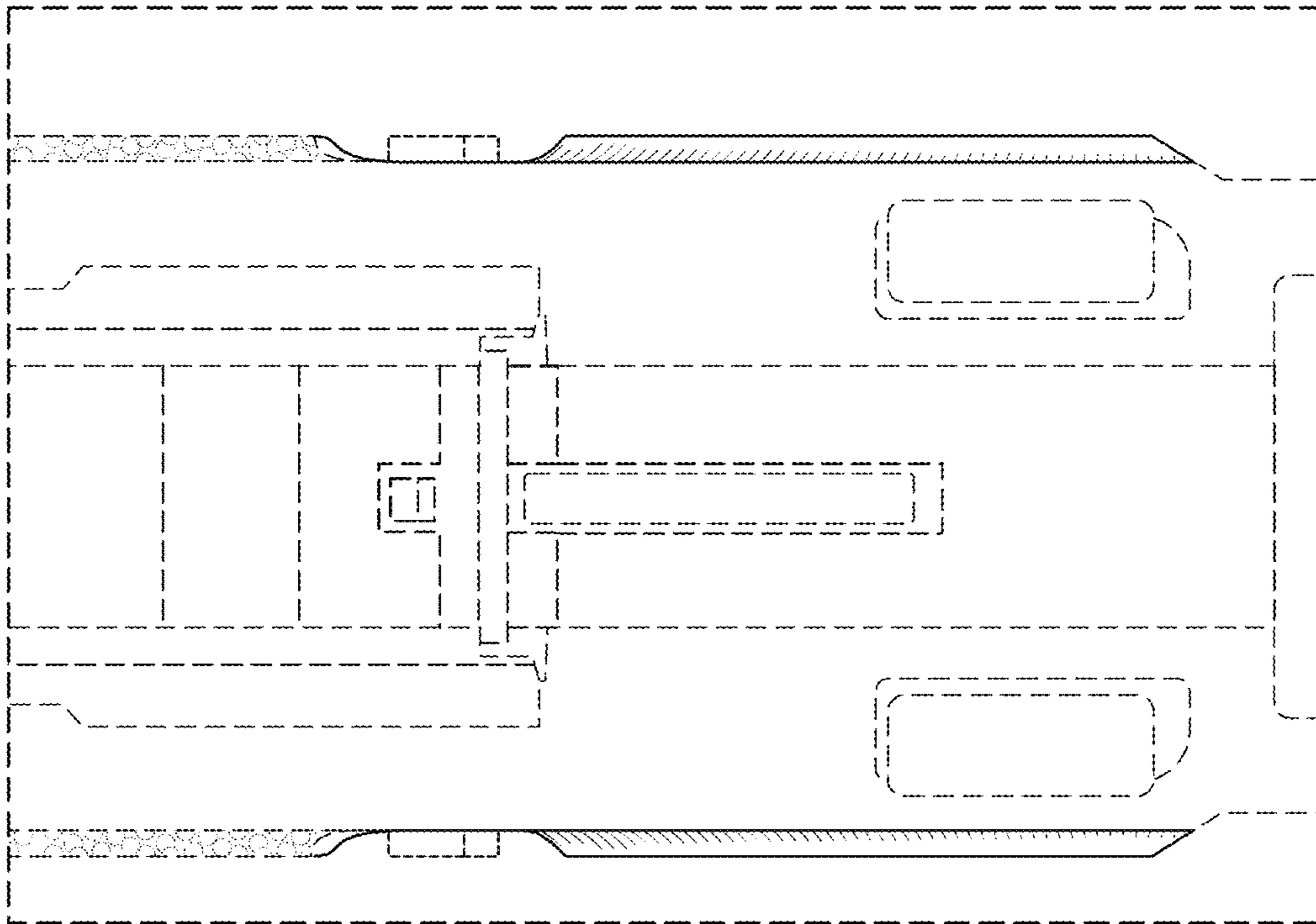
**FIG. 11**



**FIG. 12**



**FIG. 13**



**FIG. 14**