



US00D780279S

(12) **United States Design Patent** (10) **Patent No.:** **US D780,279 S**
Bosco et al. (45) **Date of Patent:** **** Feb. 28, 2017**

(54) **FOREARM-GRIPPING STABILIZING ATTACHMENT**

4,196,742 A 4/1980 Owen, Jr.
4,271,623 A 6/1981 Beretta
4,291,482 A 9/1981 Bresan

(Continued)

(71) Applicant: **NST Global LLC**, St. Petersburg, FL (US)

(72) Inventors: **Alessandro Roberto Bosco**, St. Petersburg, FL (US); **Grant Bickford Shaw**, St. Petersburg, FL (US)

(**) Term: **15 Years**

(21) Appl. No.: **29/531,626**

(22) Filed: **Jun. 29, 2015**

(51) **LOC (10) Cl.** **22-01**

(52) **U.S. Cl.**
USPC **D22/108**

(58) **Field of Classification Search**
USPC ... D22/103, 108, 199; 89/111-113; 359/399, 359/823, 744; 42/104, 105, 111-113, 42/116, 120, 124-126, 127-129, 141-148, 42/133-140; 33/227, 229
CPC F41G 1/00; F41G 1/01; F41G 1/02; F41G 1/06; F41G 1/065; F41G 1/08; F41G 1/10; F41G 1/12; F41G 1/14; F41G 1/30; F41G 1/32; F41G 1/38; F41G 1/40; F41G 1/42; F41G 1/44; F41G 1/46; F41G 1/383; F41G 1/387; F41G 1/393; F41G 3/00; F41G 3/005; F41G 3/02; F41G 3/04; F41G 3/06; F41G 3/14; F41G 11/002; F41G 11/003; F41G 11/004; F41G 11/005

See application file for complete search history.

(56) **References Cited**

U.S. PATENT DOCUMENTS

2,436,175 A 5/1942 Neal
3,162,966 A 12/1964 Coss
3,648,396 A 3/1972 Smith
3,685,194 A 8/1972 Coon

OTHER PUBLICATIONS

Guns America, New Line-Up From SB-Tactical—More than a SIG Brace, publication date unknown, [site visited Oct. 11, 2016], Available on the Internet URL:<<https://www.gunsamerica.com/blog/new-line-up-from-sb-tactical-more-than-a-sig-brace/>>.*

Primary Examiner — Susan Bennett Hattan

Assistant Examiner — Bryan Reinholdt, Jr.

(74) *Attorney, Agent, or Firm* — Stephen Lewellyn; Maxey Law Offices, PLLC; Kyle Chapin

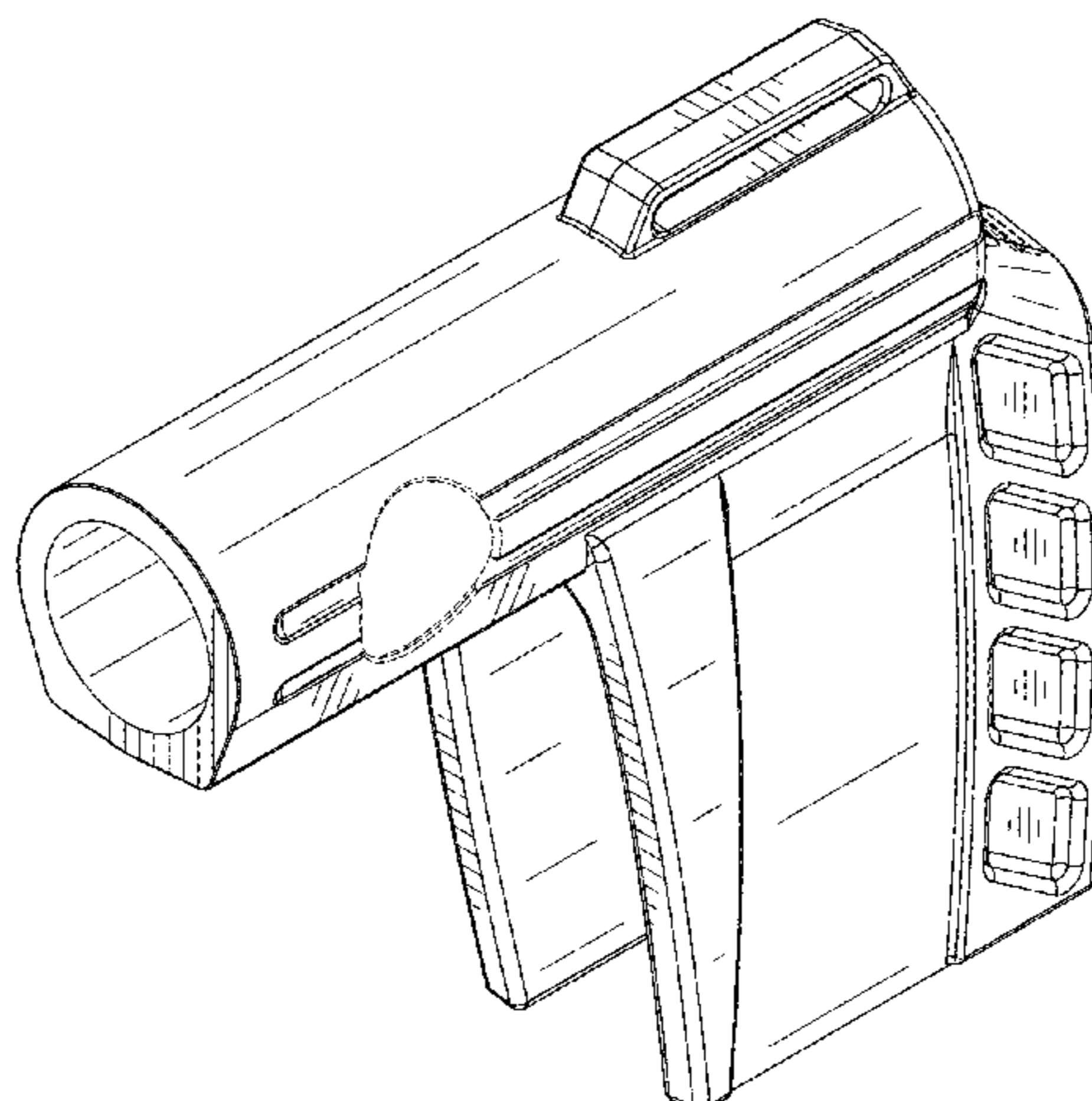
(57) **CLAIM**

The ornamental design for a forearm-gripping stabilizing attachment, as shown and described.

DESCRIPTION

FIG. 1 is a top-front perspective view of the forearm-gripping stabilizing attachment;
FIG. 2 is a top-rear perspective view of the forearm-gripping stabilizing attachment;
FIG. 3 is a bottom-front perspective view of the forearm-gripping stabilizing attachment;
FIG. 4 is a bottom-rear perspective view of the forearm-gripping stabilizing attachment;
FIG. 5 is a top plan view of the forearm-gripping stabilizing attachment;
FIG. 6 is a bottom plan view of the forearm-gripping stabilizing attachment;
FIG. 7 is a side elevation view of the forearm-gripping stabilizing attachment, the opposite side being a mirror image;
FIG. 8 is a front elevation view of the forearm-gripping stabilizing attachment; and,
FIG. 9 is a rear elevation view of the forearm-gripping stabilizing attachment.

(Continued)



The broken lines in FIGS. 1 through 7 do not form part of the claimed design.

1 Claim, 7 Drawing Sheets

(56)

References Cited

U.S. PATENT DOCUMENTS

4,876,814	A	10/1989	Lombardo	
5,180,874	A	1/1993	Troncoso, Jr.	
6,016,620	A	1/2000	Morgan	
6,279,591	B1	8/2001	Obitts	
6,651,371	B2	11/2003	Fitzpatrick	
7,028,427	B2	4/2006	Crawford	
7,059,502	B2	6/2006	Johnson	
8,091,264	B2	1/2012	Goertz	
8,109,026	B1	2/2012	Bentley et al.	
8,215,045	B2	7/2012	Mitchell	
D706,896	S	6/2014	Bosco	
D728,724	S	5/2015	Bosco	
D745,941	S *	12/2015	Bosco	D22/108
2007/0289191	A1	12/2007	Cowan	
2009/0211140	A1	8/2009	Rolfe	
2014/0144061	A1	5/2014	Bosco	

* cited by examiner

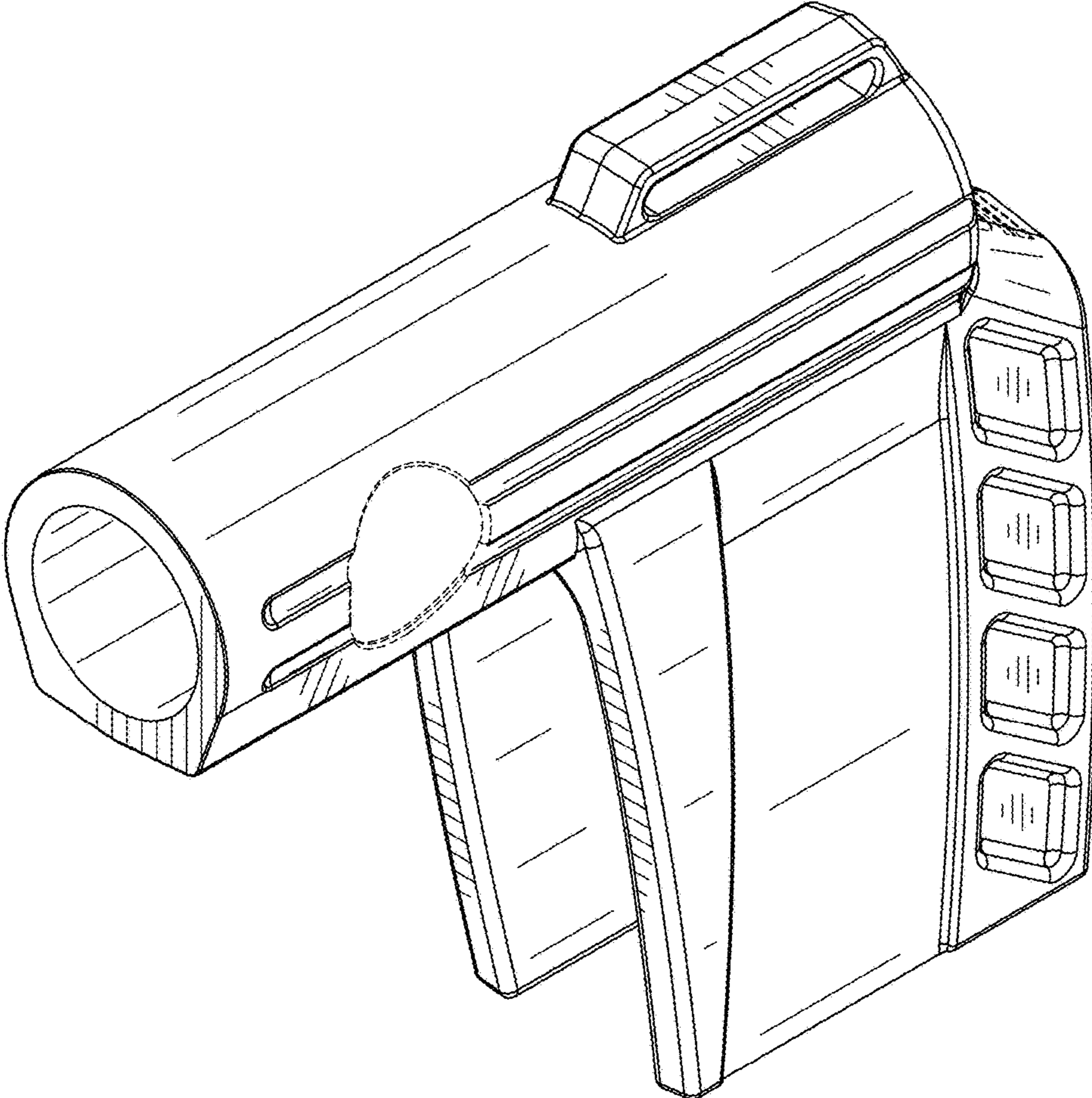


FIG. 1

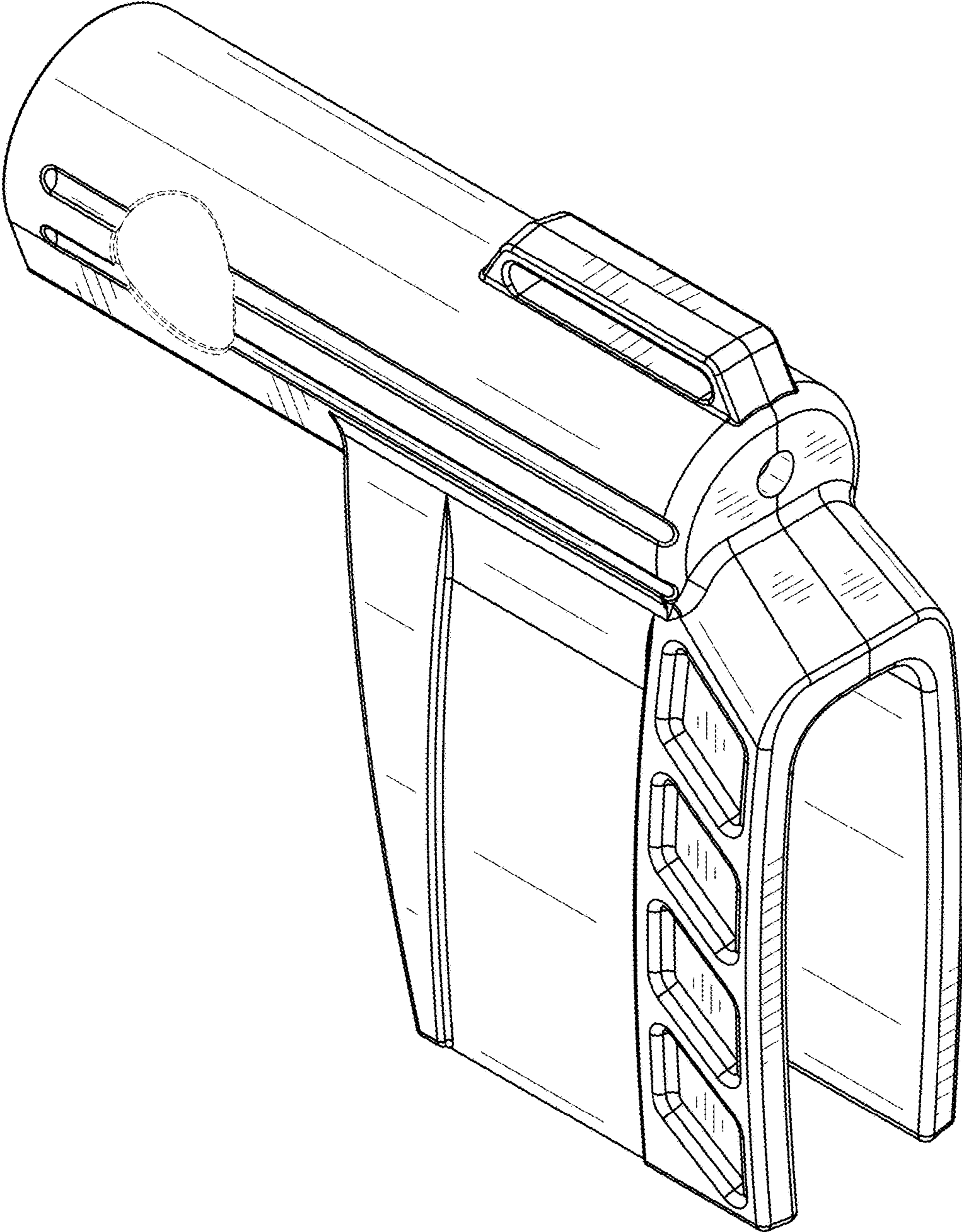


FIG. 2

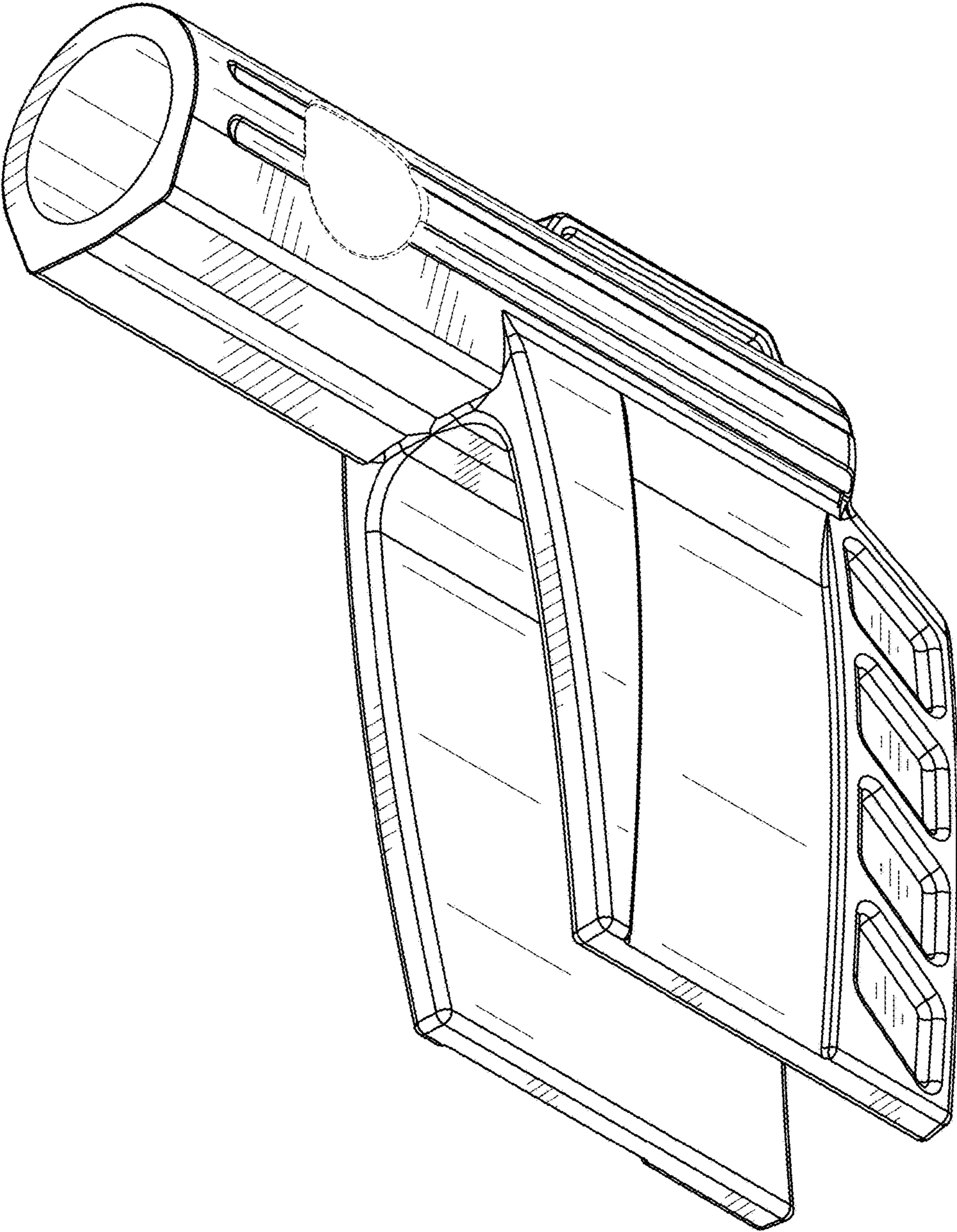


FIG. 3

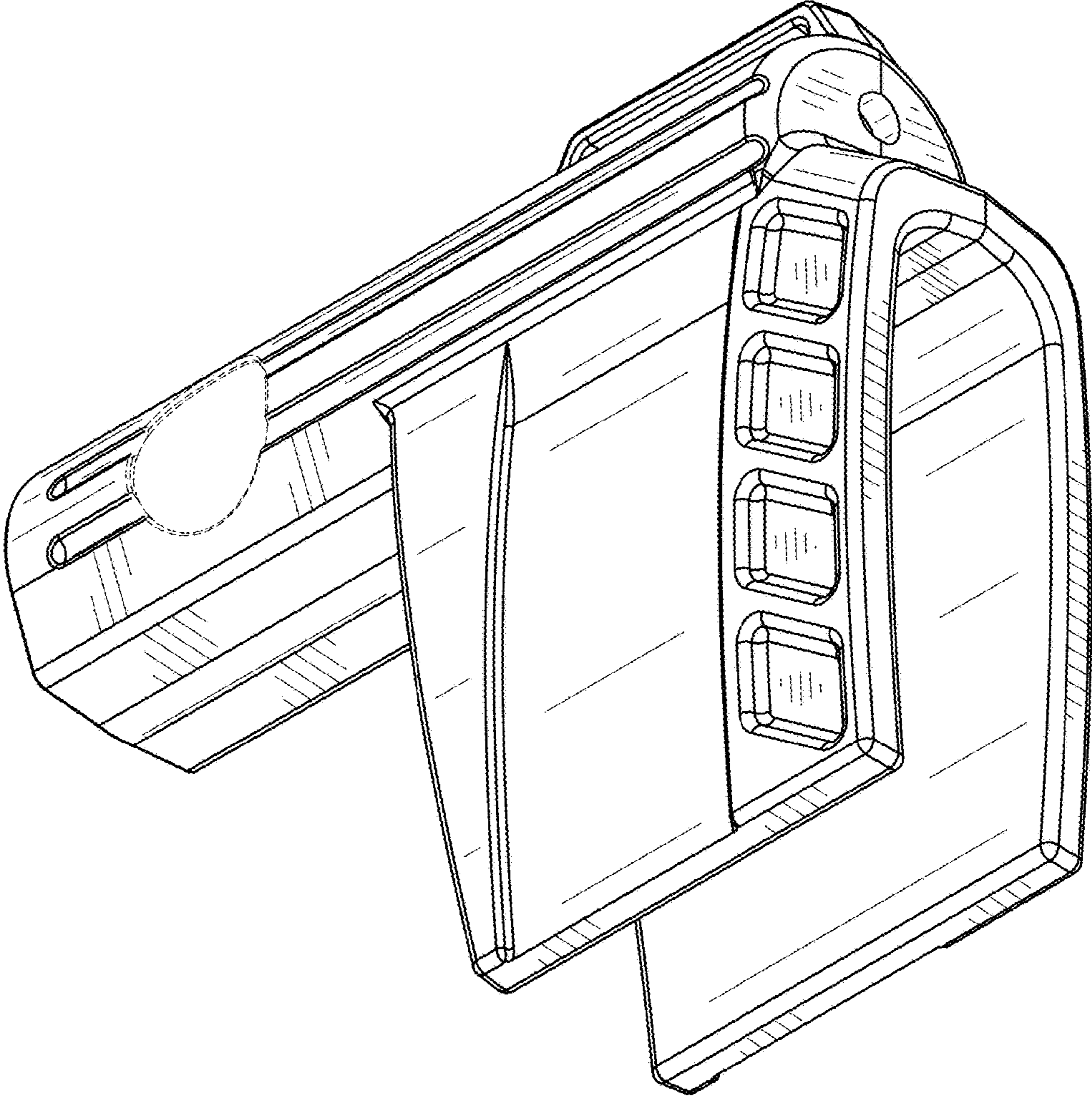


FIG. 4

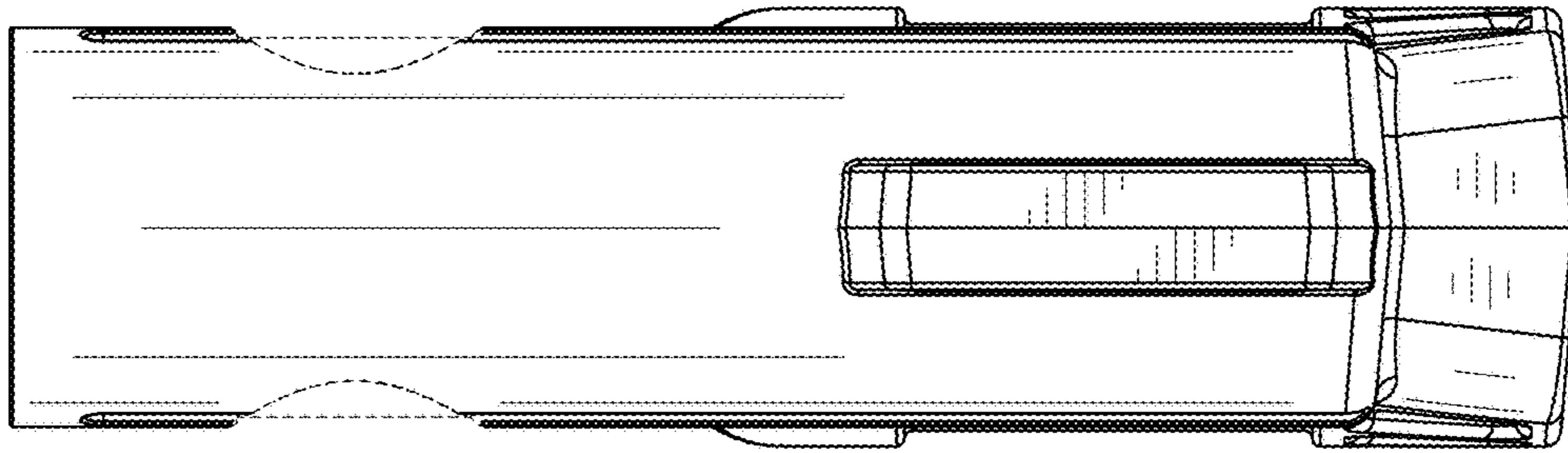


FIG. 5

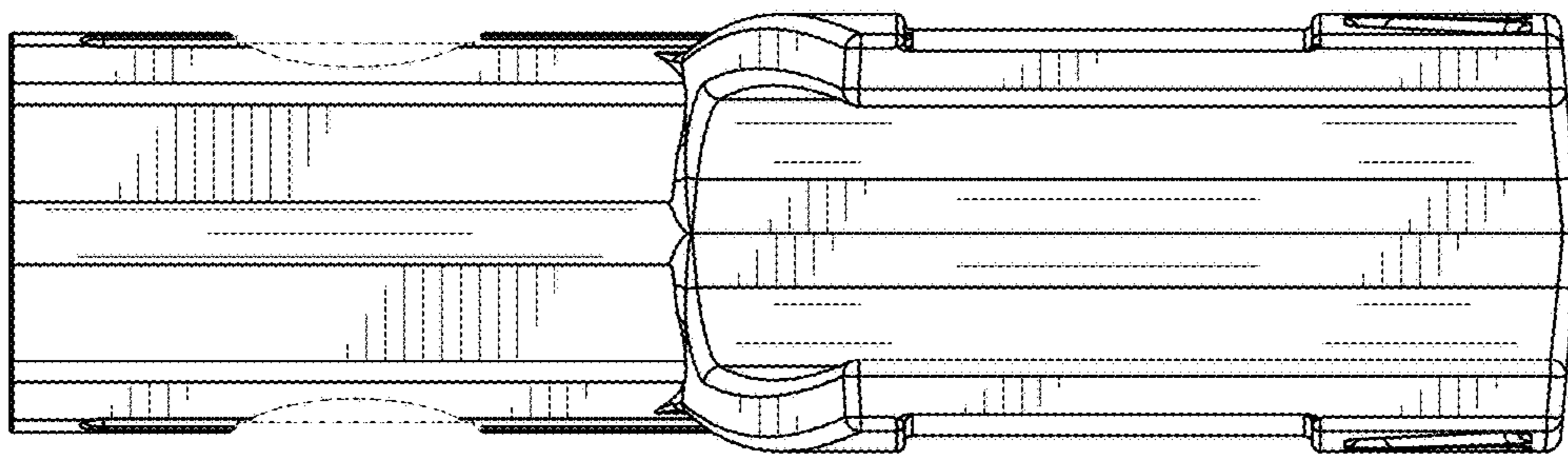


FIG. 6

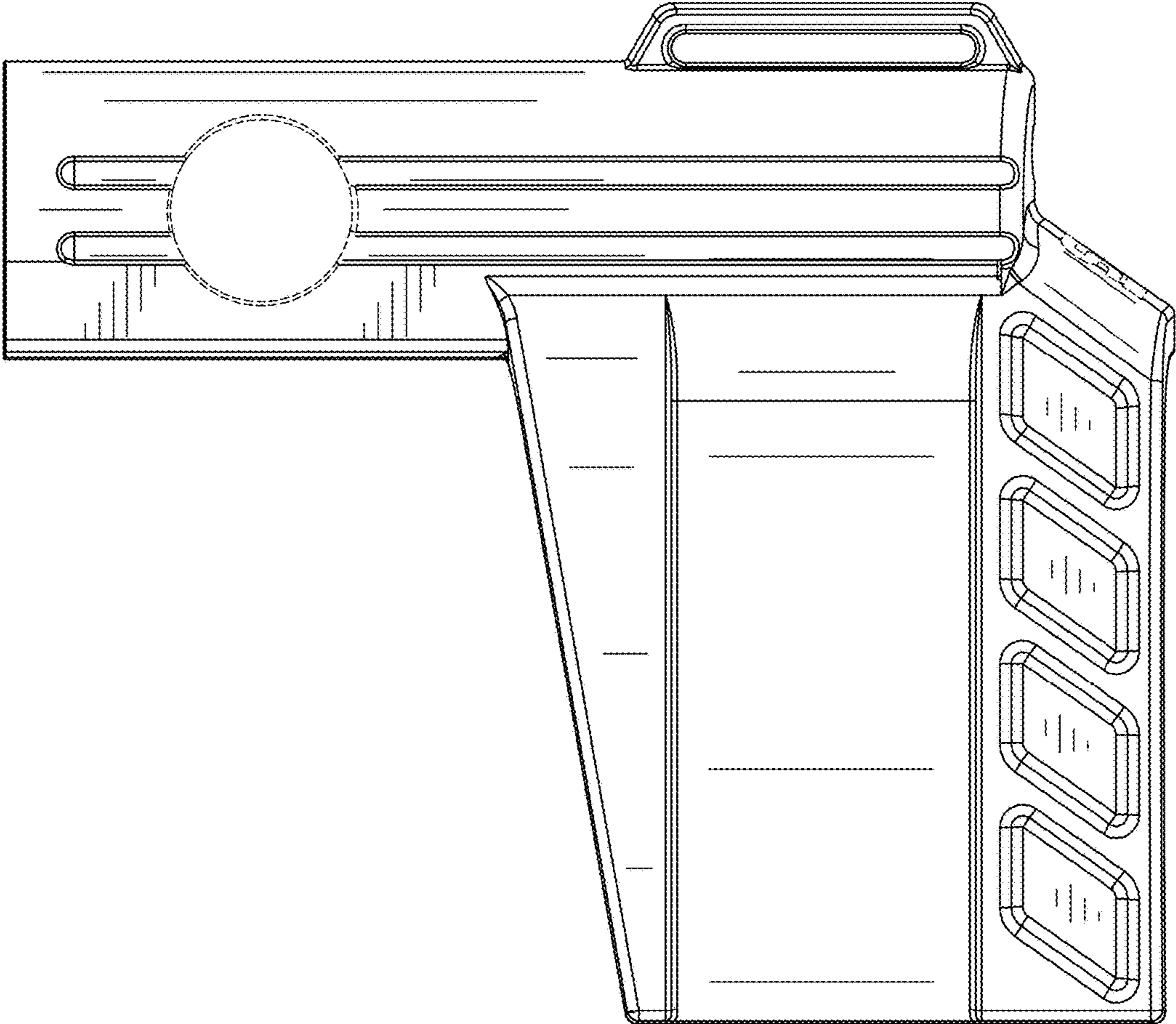


FIG. 7

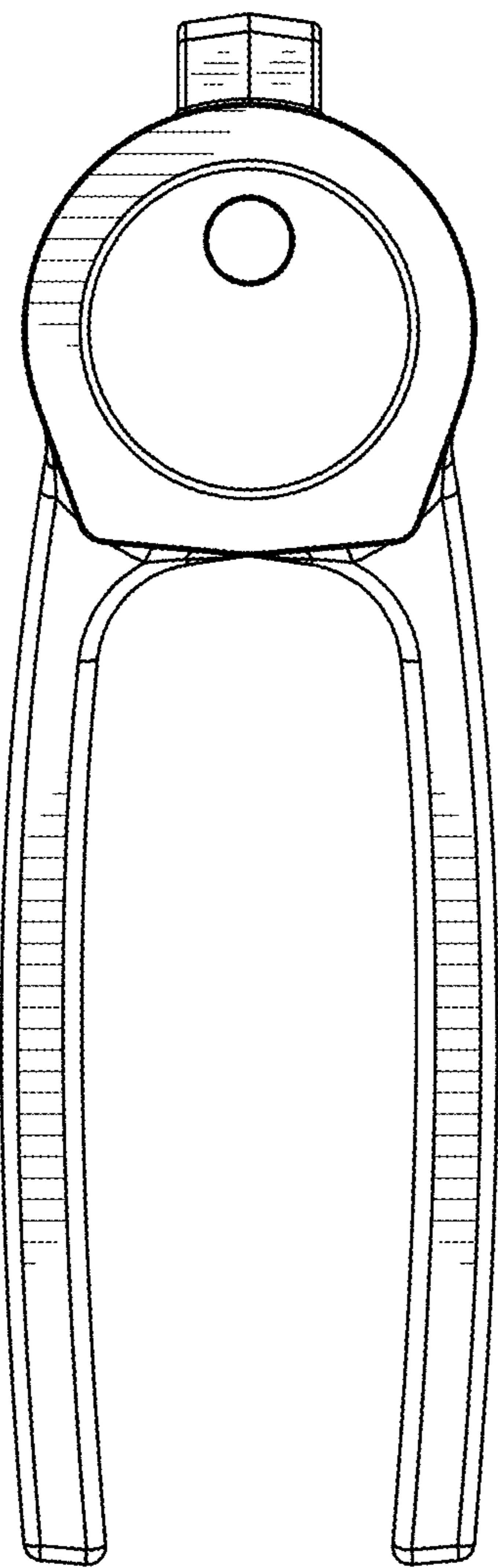


FIG. 8

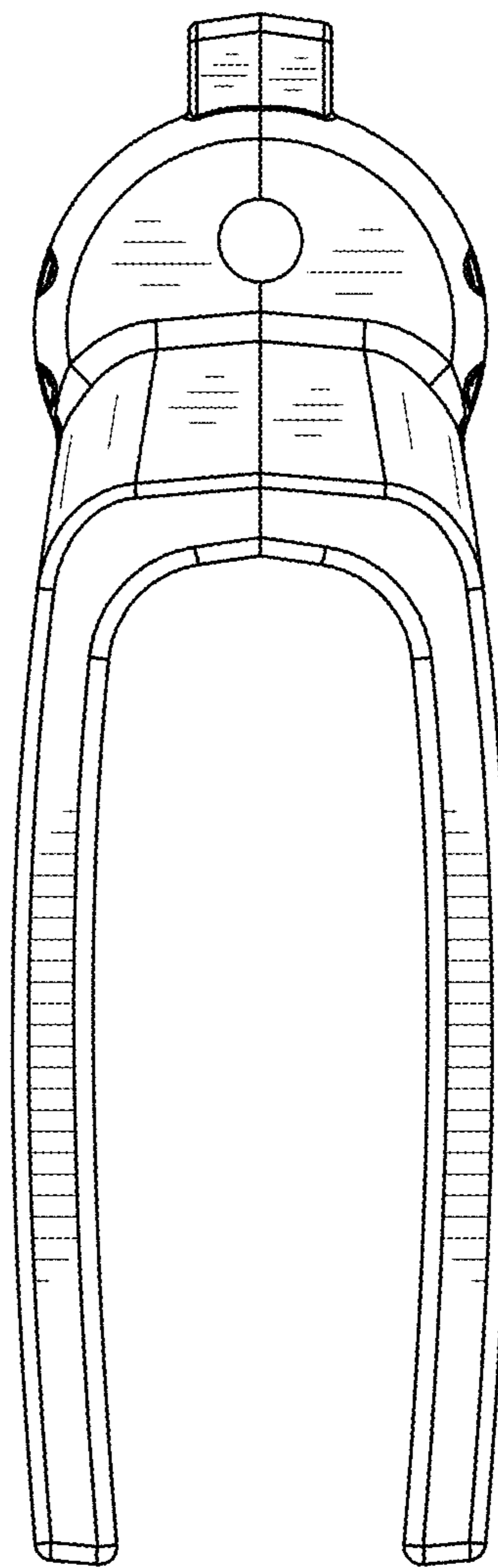


FIG. 9