



US00D780278S

(12) **United States Design Patent**
Pittman

(10) **Patent No.:** **US D780,278 S**

(45) **Date of Patent:** **** Feb. 28, 2017**

(54) **LIGHT MOUNT**

OTHER PUBLICATIONS

(71) Applicant: **Impact Weapons Components, LLC**,
Timnath, CO (US)

Requirement for Restriction/Election mailed Jun. 11, 2014 for
Design U.S. Appl. No. 29/406,564 (5 pages).

(72) Inventor: **Earl L. Pittman**, Fort Collins, CO (US)

* cited by examiner

(73) Assignee: **Impact Weapons Components, LLC**,
Timnath, CO (US)

Primary Examiner — Michael A Pratt

(74) *Attorney, Agent, or Firm* — Cooley LLP

(**) Term: **14 Years**

(21) Appl. No.: **29/515,237**

(57) **CLAIM**

(22) Filed: **Jan. 21, 2015**

The ornamental design for a light mount, as shown and
described.

Related U.S. Application Data

(62) Division of application No. 29/406,564, filed on Nov.
16, 2011, now Pat. No. Des. 724,687.

(51) **LOC (10) Cl.** **22-01**

(52) **U.S. Cl.**

USPC **D22/108**

(58) **Field of Classification Search**

USPC D22/108–109; D26/24–27, 38, 40, 42,
D26/46–47, 51, 60, 113, 118, 130–133,
D26/136

CPC F41G 1/35; F41G 1/345
See application file for complete search history.

DESCRIPTION

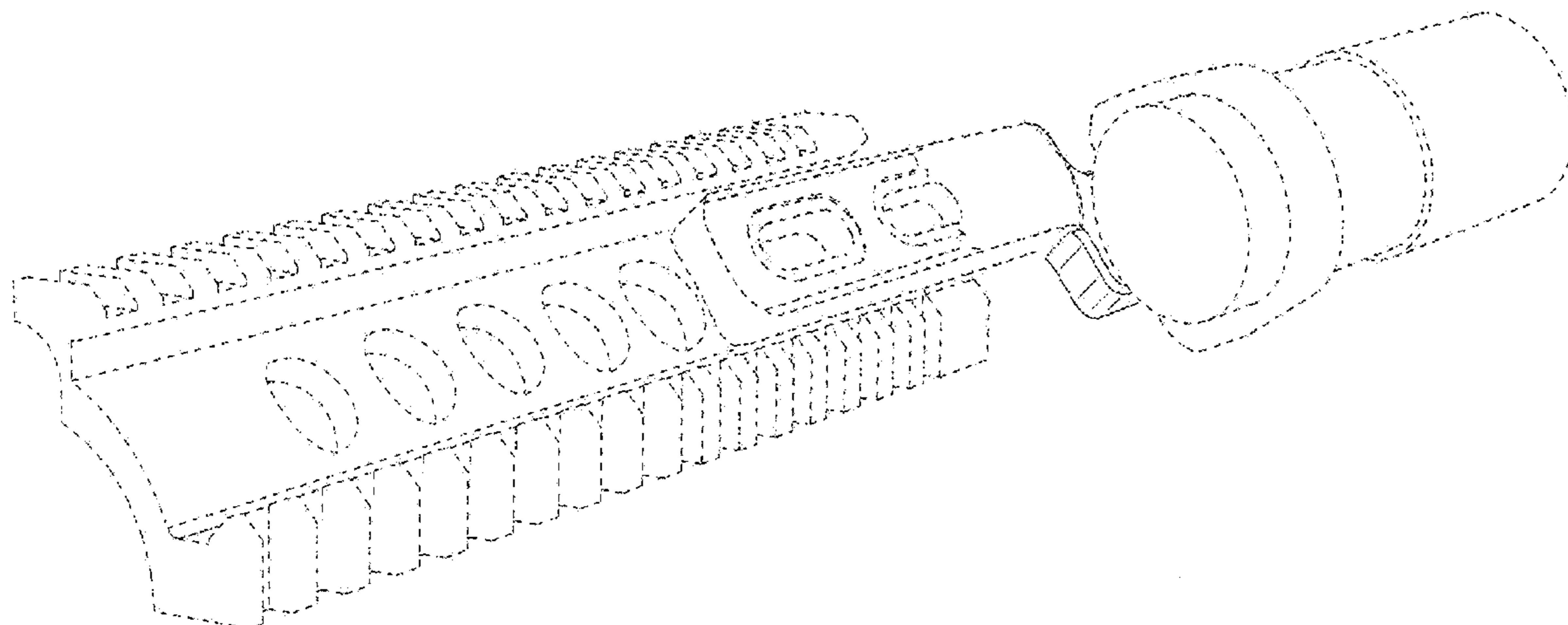
FIG. 1 is a perspective view of an embodiment;
FIG. 2 is another perspective view of the embodiment;
FIG. 3 is a top view of the embodiment;
FIG. 4 is a bottom view of the embodiment;
FIG. 5 is a front view of the embodiment;
FIG. 6 is a back view of the embodiment;
FIG. 7 is a left side view of the embodiment; and,
FIG. 8 is a right side view of the embodiment.
The broken lines immediately adjacent the shaded areas
represent the bounds of the claimed design while all other
broken lines are directed to environment and are for illus-
trative purposes only; the broken lines form no part of the
claimed design.

(56) **References Cited**

U.S. PATENT DOCUMENTS

D556,290 S 11/2007 Swan
7,395,627 B2 7/2008 La France et al.
2016/0047627 A1* 2/2016 Liang F41G 1/35
42/115

1 Claim, 3 Drawing Sheets



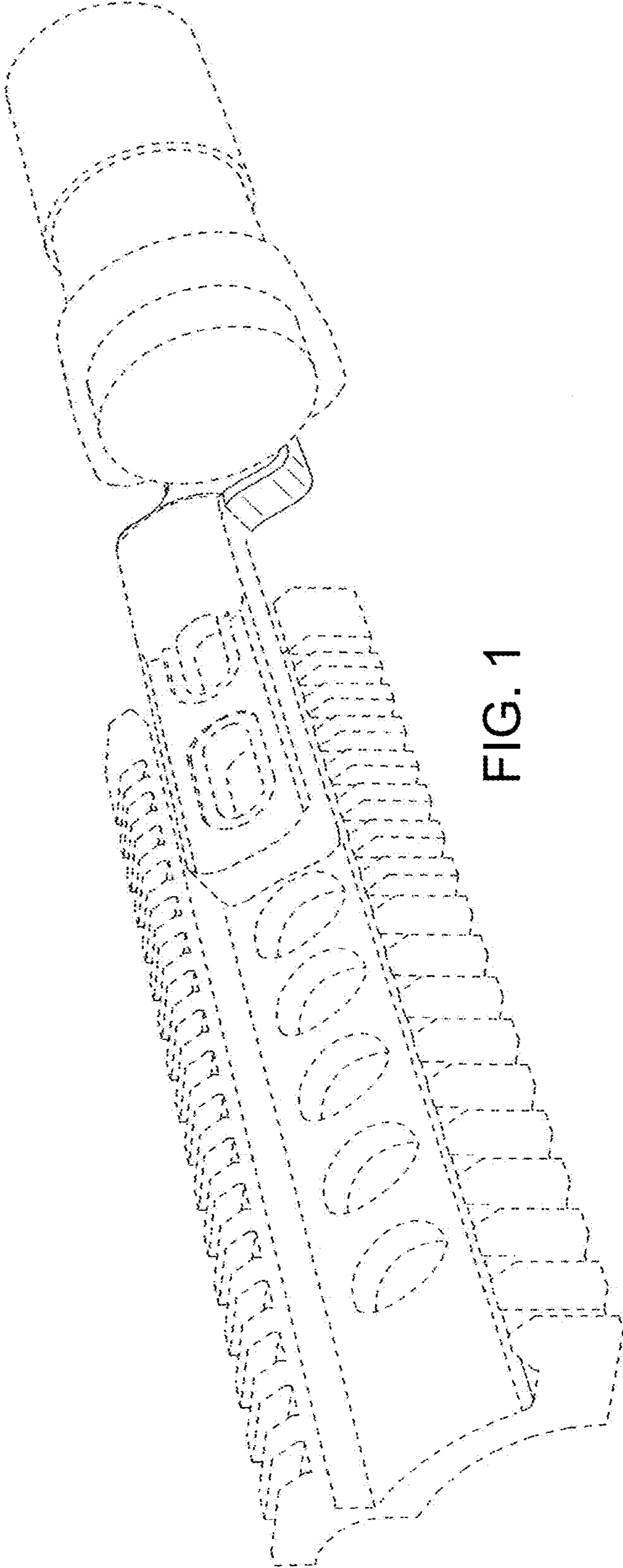


FIG. 1

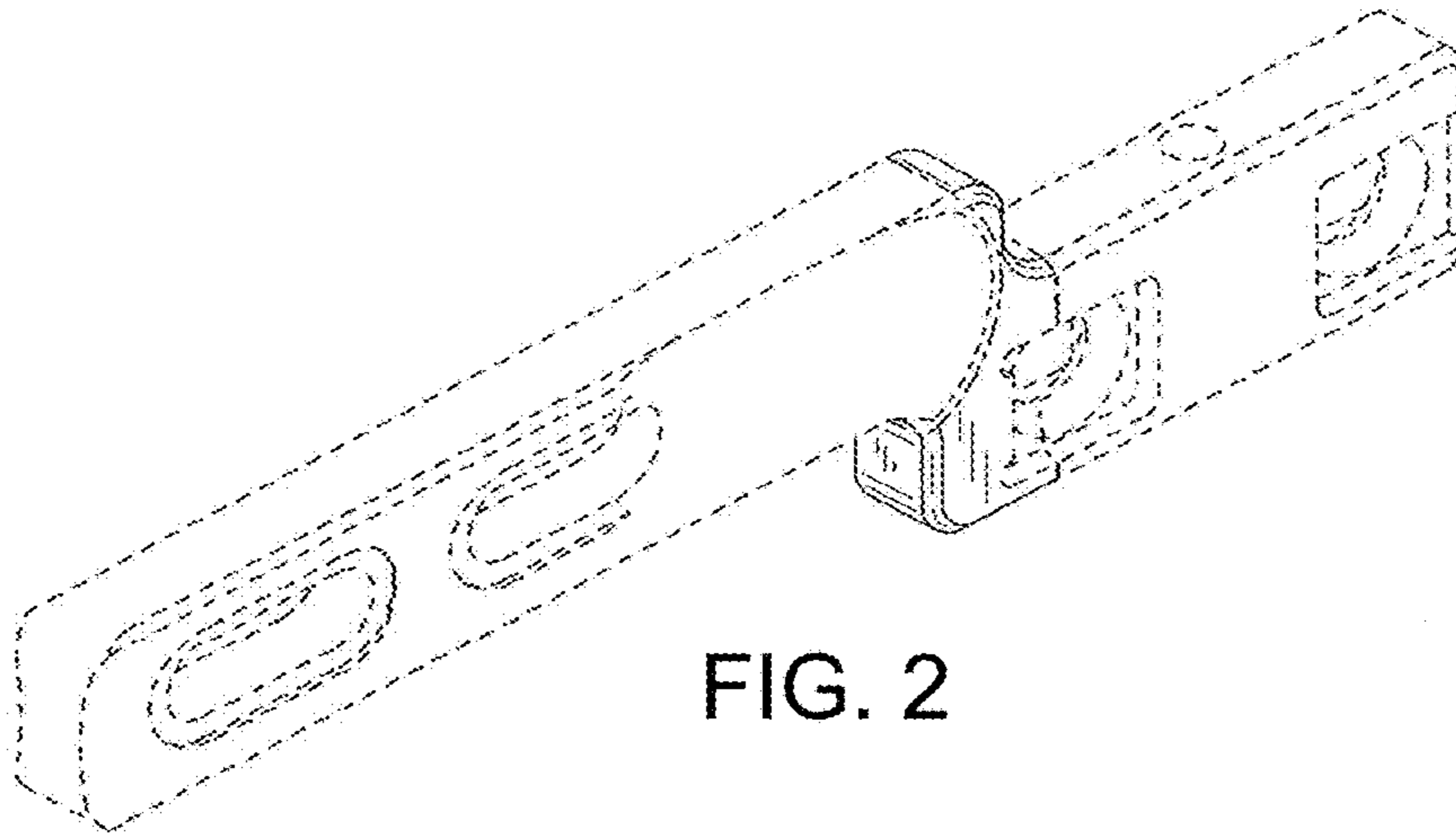


FIG. 2

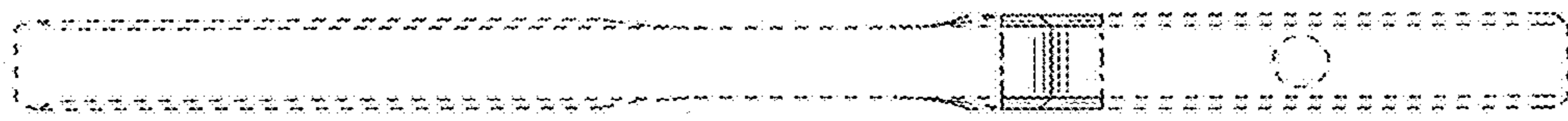


FIG. 3

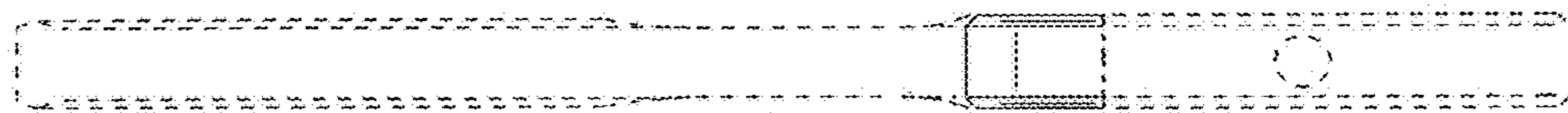


FIG. 4

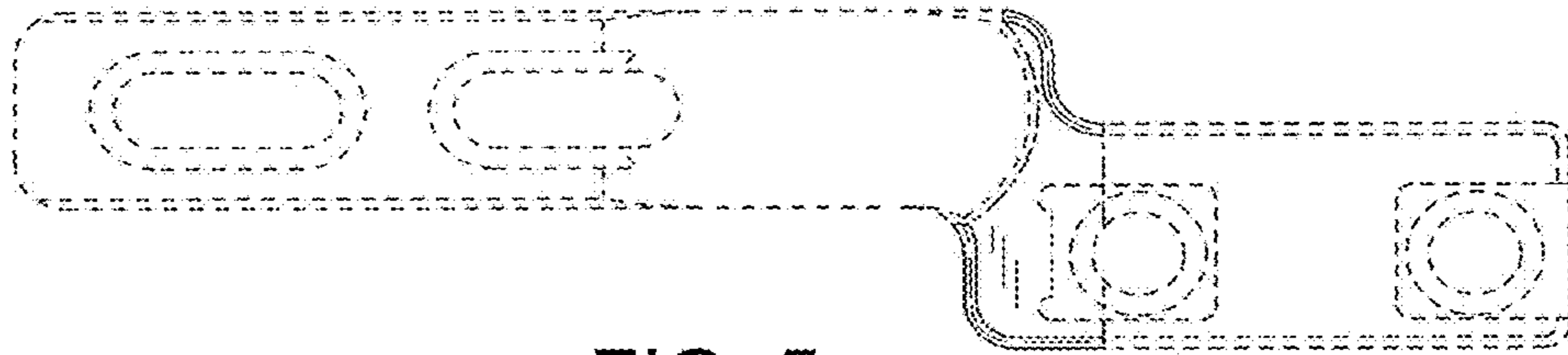


FIG. 5

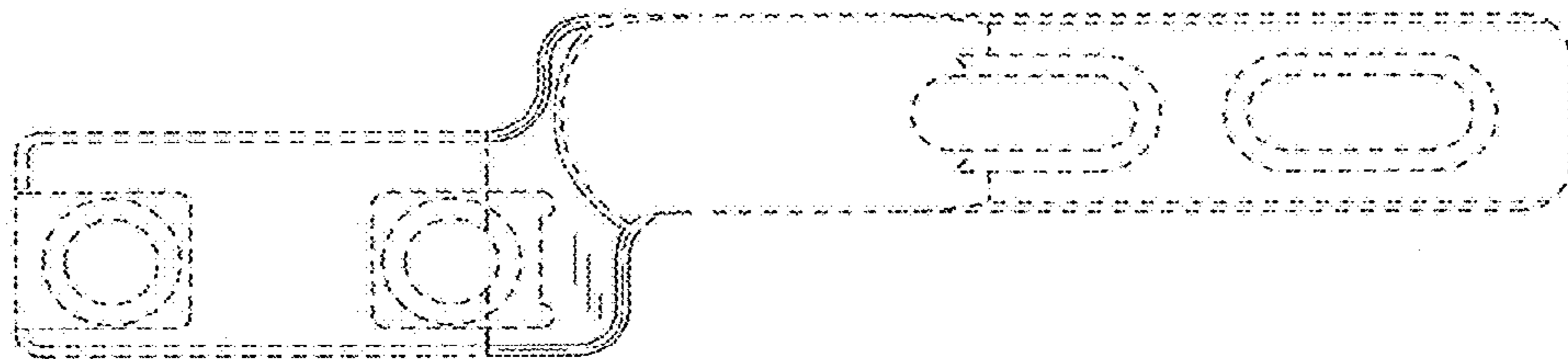


FIG. 6



FIG. 7



FIG. 8