



US00D780277S

(12) **United States Design Patent** (10) **Patent No.:** **US D780,277 S**
Barnett (45) **Date of Patent:** **** Feb. 28, 2017**

(54) **CROSSBOW STOCK**
(71) Applicant: **Barnett Outdoors, LLC**, Tarpon Springs, FL (US)
(72) Inventor: **David A. Barnett**, Tarpon Springs, FL (US)
(73) Assignee: **Barnett Outdoors, LLC**, Tarpon Springs, FL (US)
(**) Term: **15 Years**
(21) Appl. No.: **29/541,268**
(22) Filed: **Oct. 1, 2015**
(51) **LOC (10) Cl.** **22-01**
(52) **U.S. Cl.**
USPC **D22/107**
(58) **Field of Classification Search**
USPC D22/107; D21/571, 575
CPC F41B 5/12; F41B 5/148
See application file for complete search history.

(56) **References Cited**

U.S. PATENT DOCUMENTS

D687,507	S	*	8/2013	Vaicunas	D22/107
D716,399	S	*	10/2014	Barnett	D22/107
D716,400	S	*	10/2014	Barnett	D22/107
D716,401	S	*	10/2014	Barnett	D22/107
D716,402	S	*	10/2014	Barnett	D22/107
D718,404	S	*	11/2014	Barnett	D22/107
D718,830	S	*	12/2014	Barnett	D22/107
D718,831	S	*	12/2014	Barnett	D22/107
D737,920	S	*	9/2015	Darlington	D22/107
9,194,645	B2	*	11/2015	Biafore, Jr.	F41B 5/12
9,255,755	B1	*	2/2016	Barnett	F41B 5/12
9,303,944	B2	*	4/2016	Barber	F41B 5/123

9,395,143	B2	*	7/2016	Barnett	F41B 5/12
9,513,075	B2	*	12/2016	Lallier	F41A 9/73
2015/0233665	A1	*	8/2015	Trpkovski	F41B 5/1469 124/25
2016/0018175	A1	*	1/2016	Lallier	F41A 9/73 124/25.6

OTHER PUBLICATIONS

Applicant's co-pending Design U.S. Appl. No. 29/541,271, "Crossbow Stock," David A. Barnett, filed Oct. 1, 2015.
Applicant's co-pending Design U.S. Appl. No. 29/541,275, "Crossbow Stock," David A. Barnett, filed Oct. 1, 2015.
Applicant's co-pending Design U.S. Appl. No. 29/541,277, "Crossbow Stock," David A. Barnett, filed Oct. 1, 2015.
Applicant's co-pending Design U.S. Appl. No. 29/541,280, "Crossbow Stock," David A. Barnett, filed Oct. 1, 2015.
Applicant's co-pending U.S. Appl. No. 62/202,618, "Crossbow with Cocking Device Storage," David A. Barnett, filed Aug. 7, 2015.

* cited by examiner

Primary Examiner — Michael A. Pratt
(74) *Attorney, Agent, or Firm* — Jones Walker, LLP

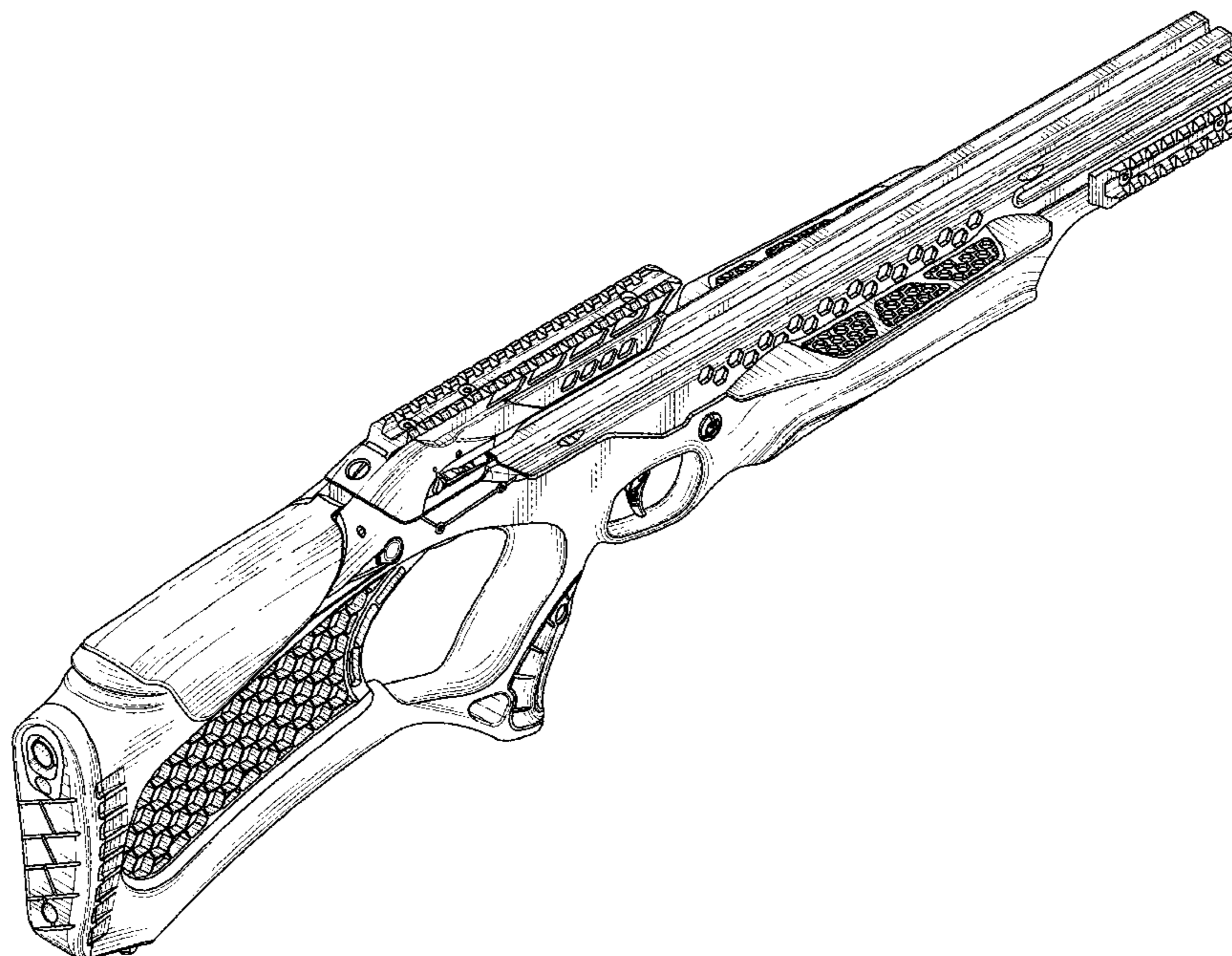
(57) **CLAIM**

I claim the ornamental design for a crossbow stock, as shown and described.

DESCRIPTION

FIG. 1 is a perspective view of my new design;
FIG. 2 is a front view thereof;
FIG. 3 is a rear view thereof;
FIG. 4 is a right side view thereof;
FIG. 5 is a left side view thereof;
FIG. 6 is a top view thereof; and,
FIG. 7 is a bottom view thereof.

1 Claim, 4 Drawing Sheets



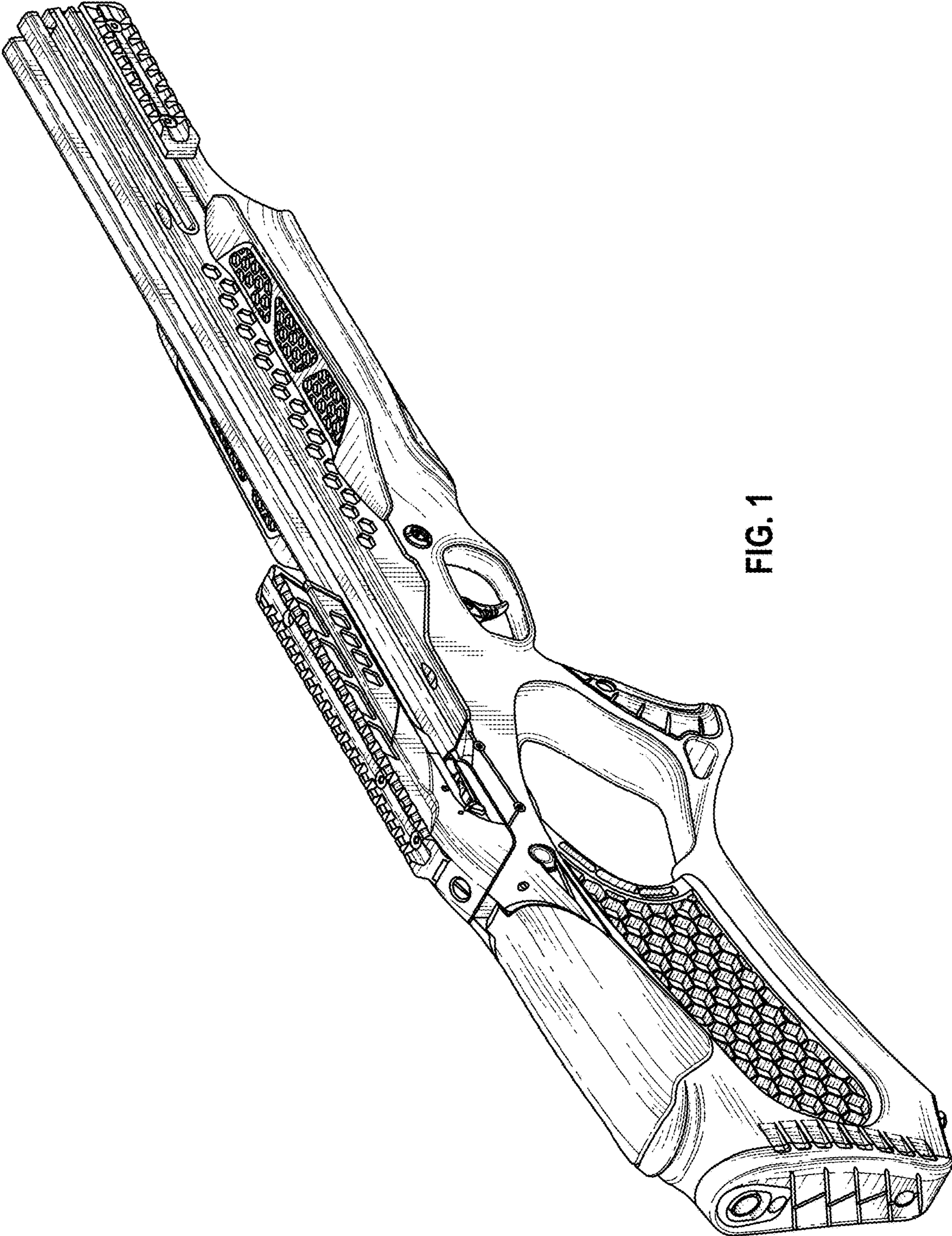


FIG. 1

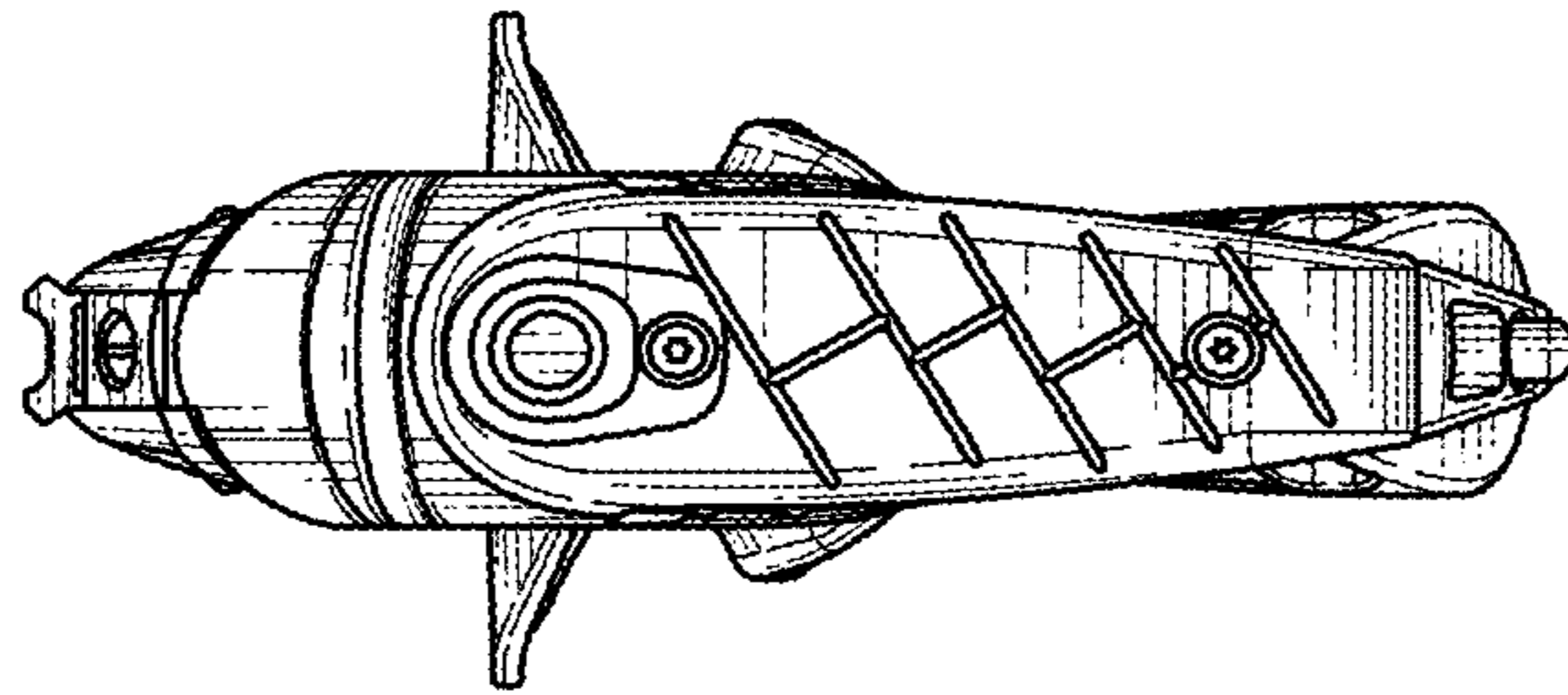


FIG. 3

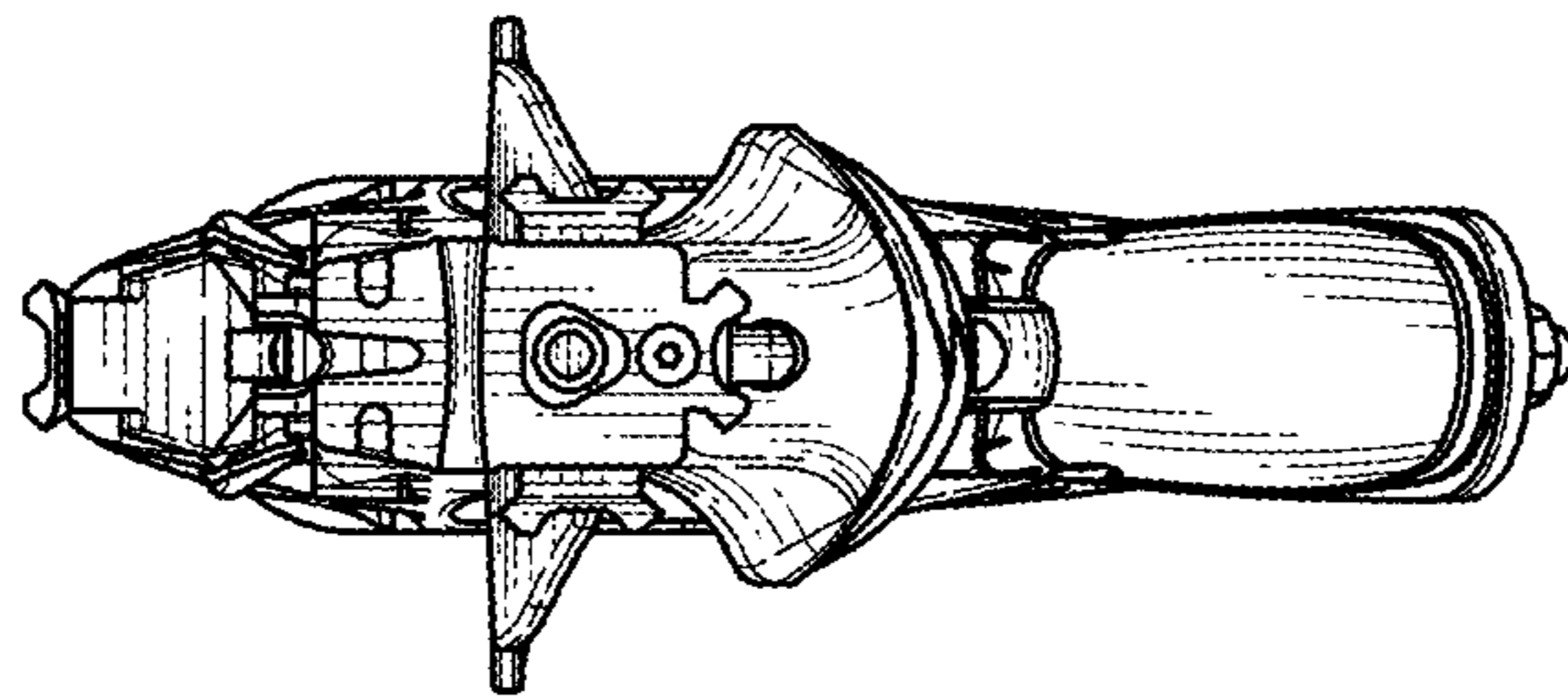


FIG. 2

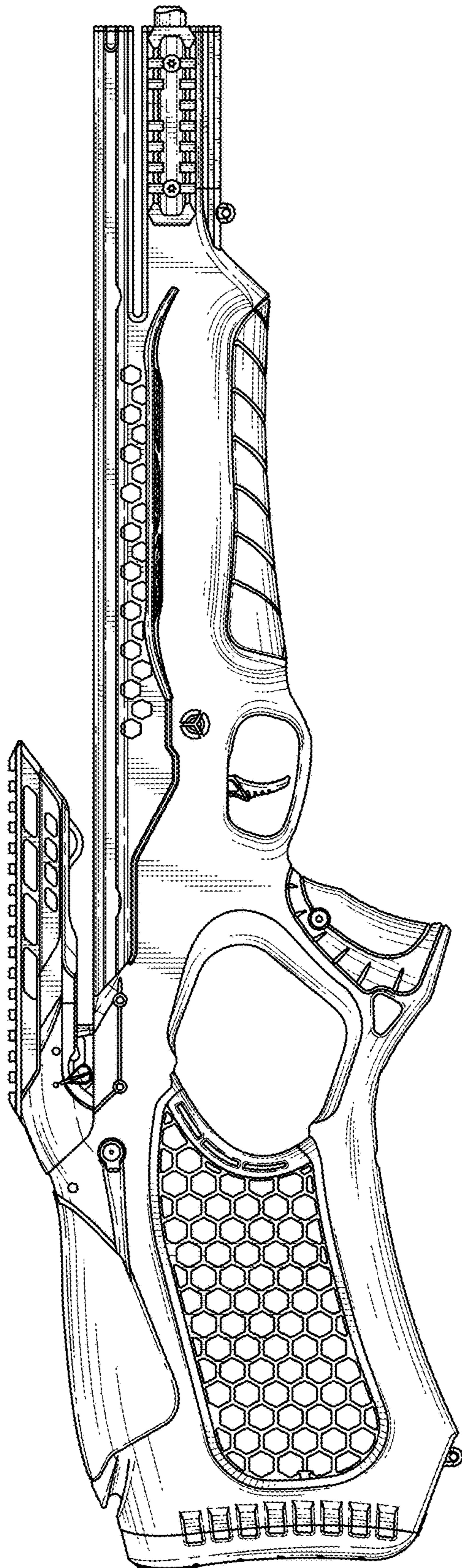


FIG. 4

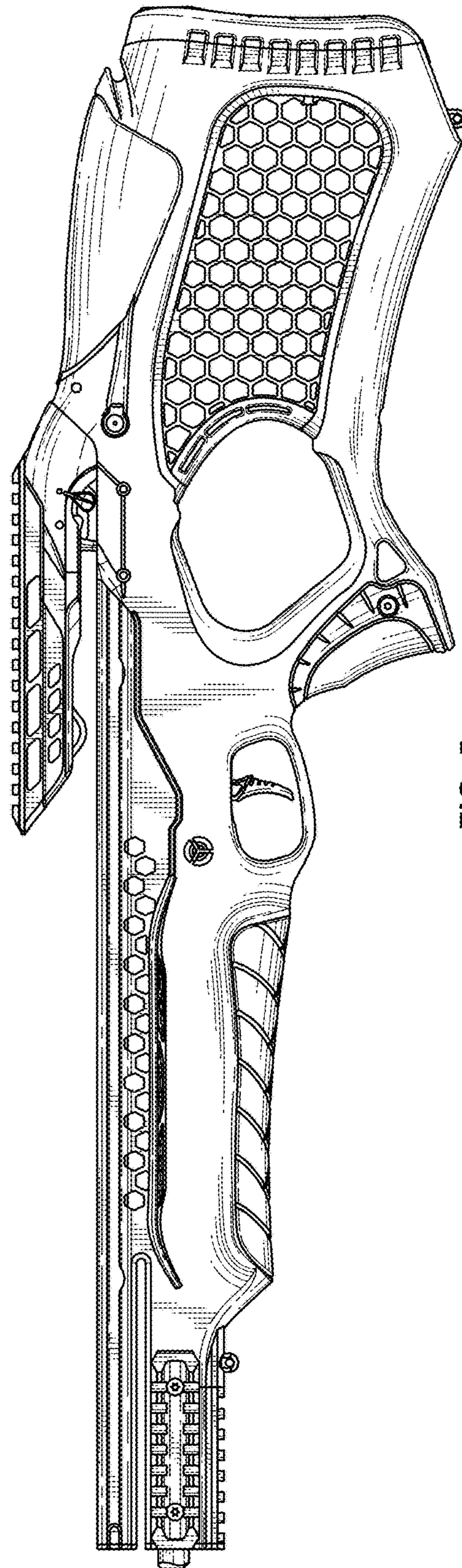


FIG. 5

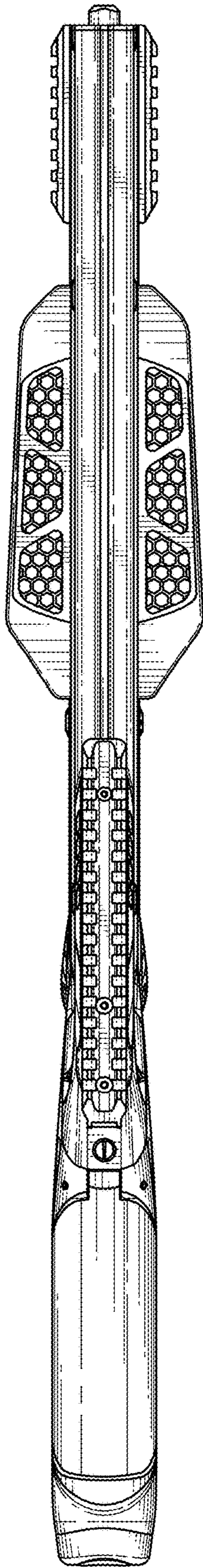


FIG. 6

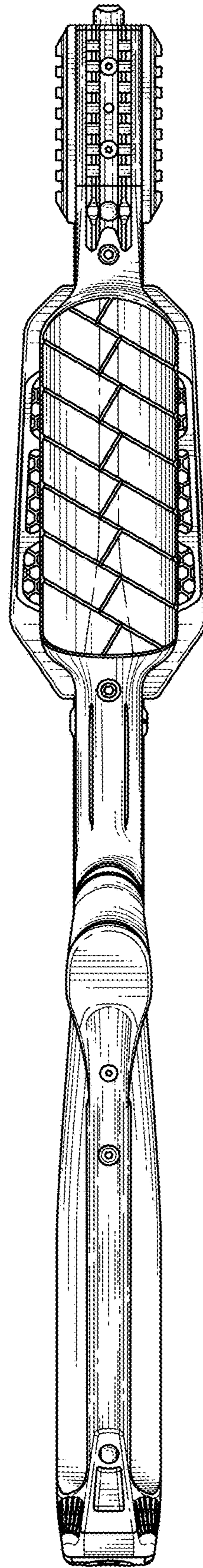


FIG. 7