



US00D780272S

(12) **United States Design Patent**
Kirsch

(10) **Patent No.:** **US D780,272 S**

(45) **Date of Patent:** **** Feb. 28, 2017**

(54) **THERMAL SPORTS EQUIPMENT SLEEVE**
(71) Applicant: **David Kirsch Wellness Co., Inc.**, New York, NY (US)
(72) Inventor: **David Kirsch**, New York, NY (US)
(73) Assignee: **DAVID KIRSCH WELLNESS CO., INC.**, New York, NY (US)
(**) Term: **15 Years**

(21) Appl. No.: **29/530,790**
(22) Filed: **Jun. 19, 2015**
(51) **LOC (10) Cl.** **21-02**
(52) **U.S. Cl.**
USPC **D21/753**
(58) **Field of Classification Search**
USPC D3/254; D24/206, 207; D21/753, 754, D21/789
CPC A61F 7/02; A61F 2007/0098; A61F 2007/0268; B60N 3/02; A63B 71/0045; A63B 2225/64; A63B 2225/66
See application file for complete search history.

(56) **References Cited**
U.S. PATENT DOCUMENTS
5,168,909 A * 12/1992 Joyner, Jr. A63B 60/62 15/227
5,341,927 A * 8/1994 Coyner A63B 55/00 206/315.3
D370,706 S * 6/1996 Mulvey D21/759
5,575,721 A * 11/1996 Lilly A41D 13/085 150/160
5,786,574 A * 7/1998 Garnett H05B 3/00 126/229
6,045,884 A * 4/2000 Hess D03D 3/02 138/123
6,229,132 B1 * 5/2001 Knetter A63B 47/005 126/263.01

6,247,469 B1 * 6/2001 Guard A63B 71/0045 126/229
6,385,817 B1 * 5/2002 Johnson B60N 3/023 16/4
D460,509 S * 7/2002 Hale D21/754
D470,206 S * 2/2003 Bergling-Olson D21/754
(Continued)

Primary Examiner — Mitchell Siegel
(74) *Attorney, Agent, or Firm* — Kelley Drye & Warren LLP

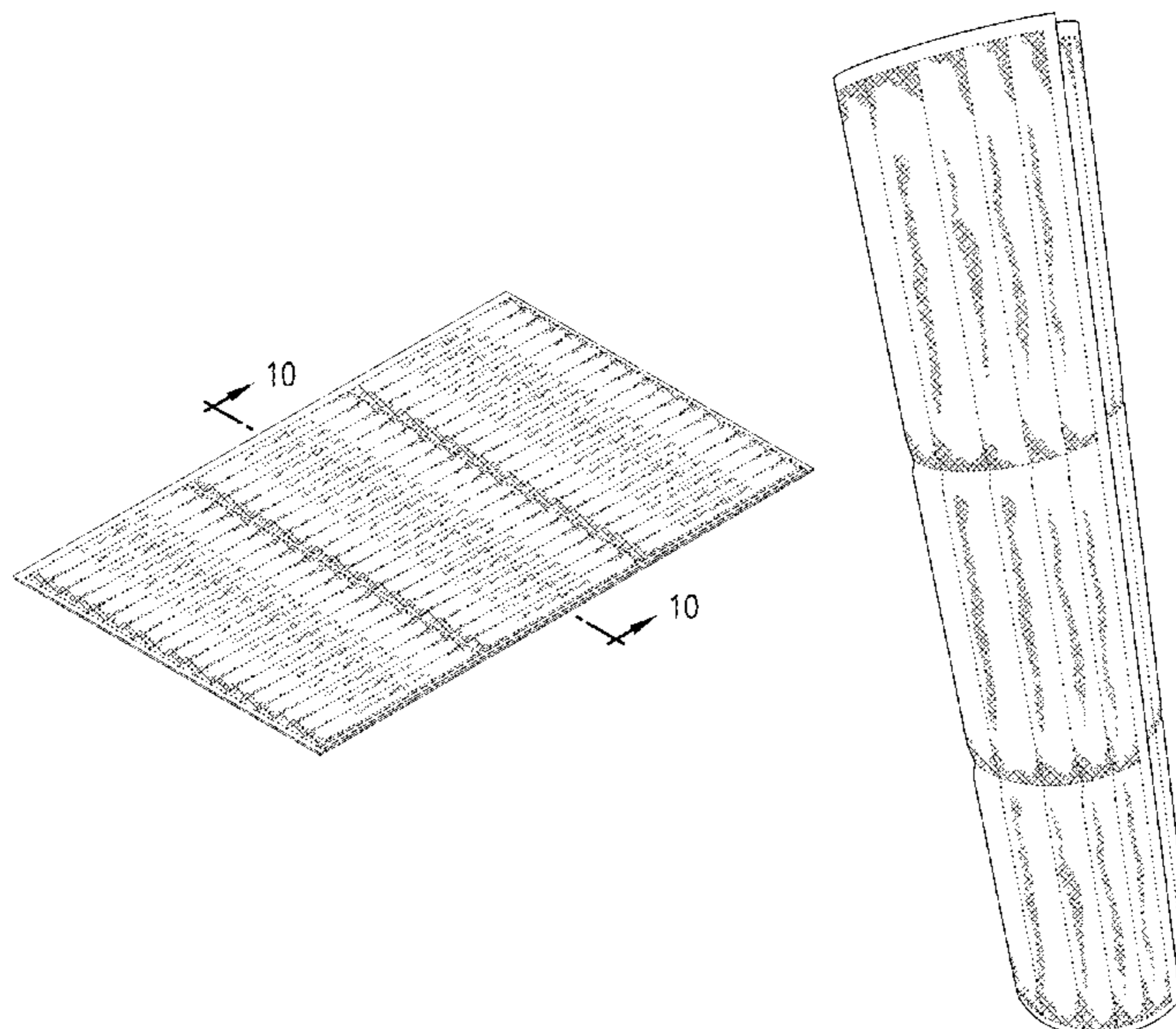
(57) **CLAIM**

The ornamental design for a thermal sports equipment sleeve, as shown and described.

DESCRIPTION

FIG. 1 is an exploded perspective view of a thermal sports equipment sleeve having pockets for receiving heating/cooling elements;
FIG. 2 is a left side view of FIG. 1;
FIG. 3 is a right side view of FIG. 1;
FIG. 4 is a front view of FIG. 1;
FIG. 5 is a back view of FIG. 1;
FIG. 6 is a top view of FIG. 1;
FIG. 7 is a bottom view of FIG. 1;
FIG. 8 is a perspective view of the thermal sports equipment sleeve with the heating/cooling elements inserted therein;
FIG. 9 is a perspective view of the thermal sports equipment sleeve in a rolled configuration; and,
FIG. 10 is an enlarged section view of the thermal sports equipment sleeve taken along plane 10 in FIG. 8.
The dotted lines shown in the figures represent stitching. The broken lines depicting elements of attachment and the heating/cooling elements in the figures are included for the purpose of illustrating environment that forms no part of the claimed design.

1 Claim, 8 Drawing Sheets



(56)

References Cited

U.S. PATENT DOCUMENTS

D479,292 S * 9/2003 Bergling-Olson D21/754
6,681,821 B1 * 1/2004 Cirone A63B 60/58
150/154
7,238,920 B1 * 7/2007 Prieto A63B 71/0045
219/386
D561,290 S * 2/2008 Prior D21/789
D697,154 S * 1/2014 Coyne D21/754
2002/0042641 A1 * 4/2002 Johnson A61F 7/02
607/114
2004/0116023 A1 * 6/2004 Huang A61F 13/06
442/328
2007/0068612 A1 * 3/2007 Potter A63B 57/60
150/160
2013/0248066 A1 * 9/2013 Garcia A63B 71/0045
150/154

* cited by examiner

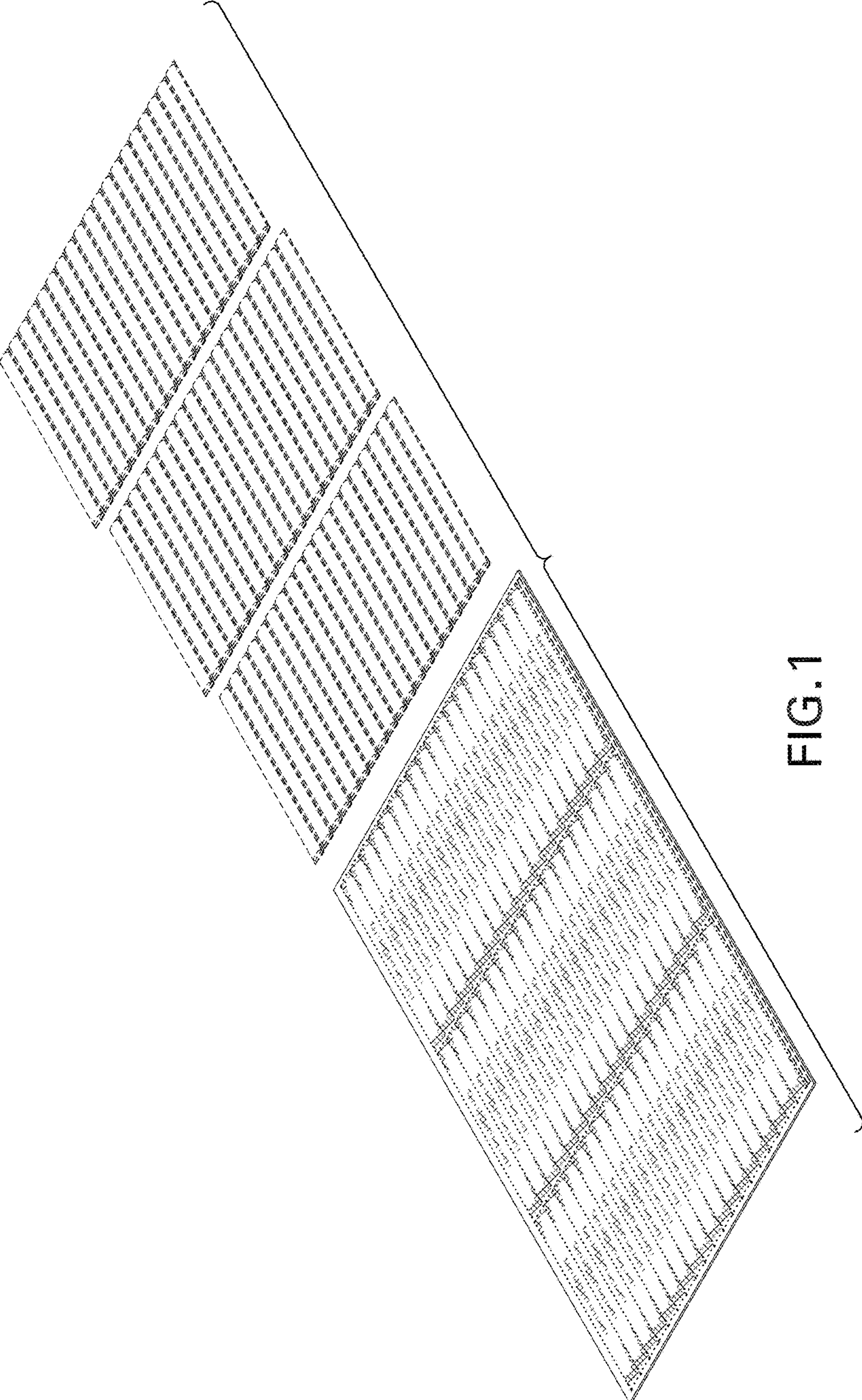


FIG. 1

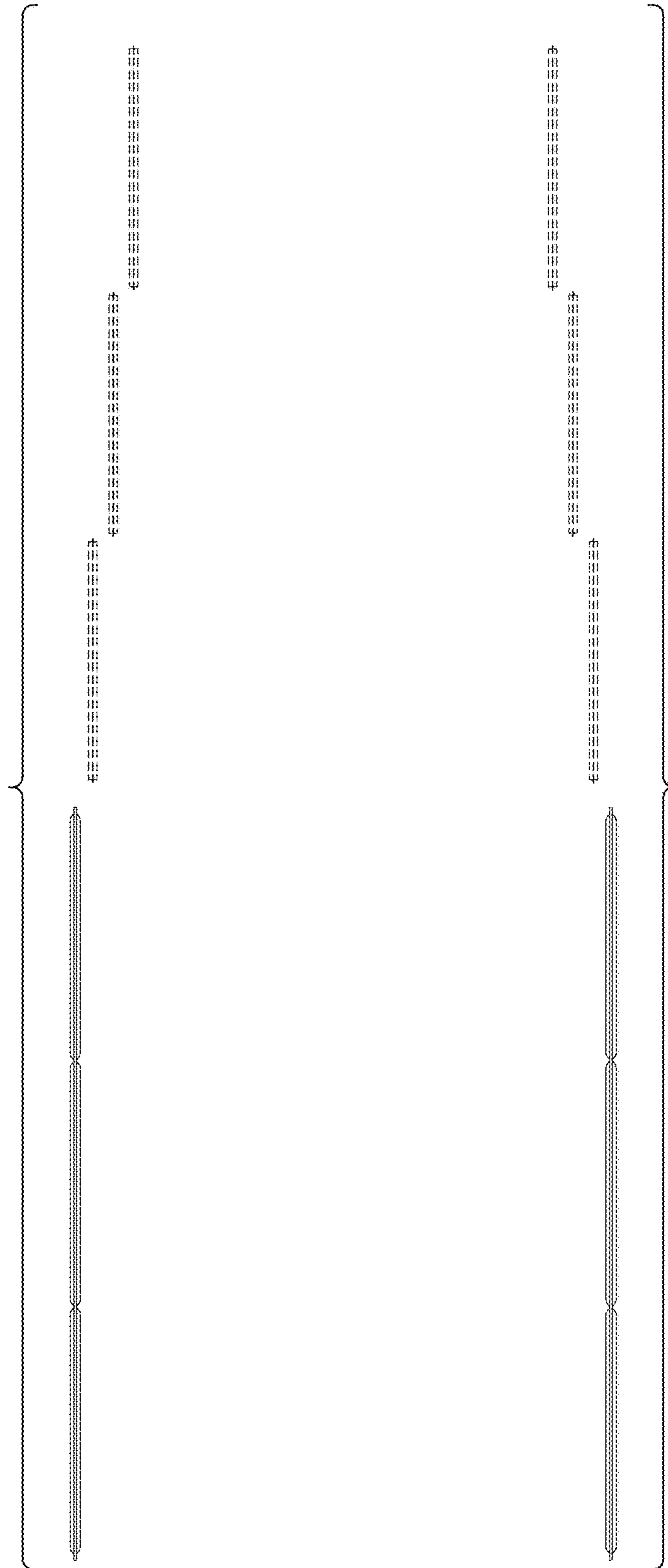


FIG. 2

FIG. 3

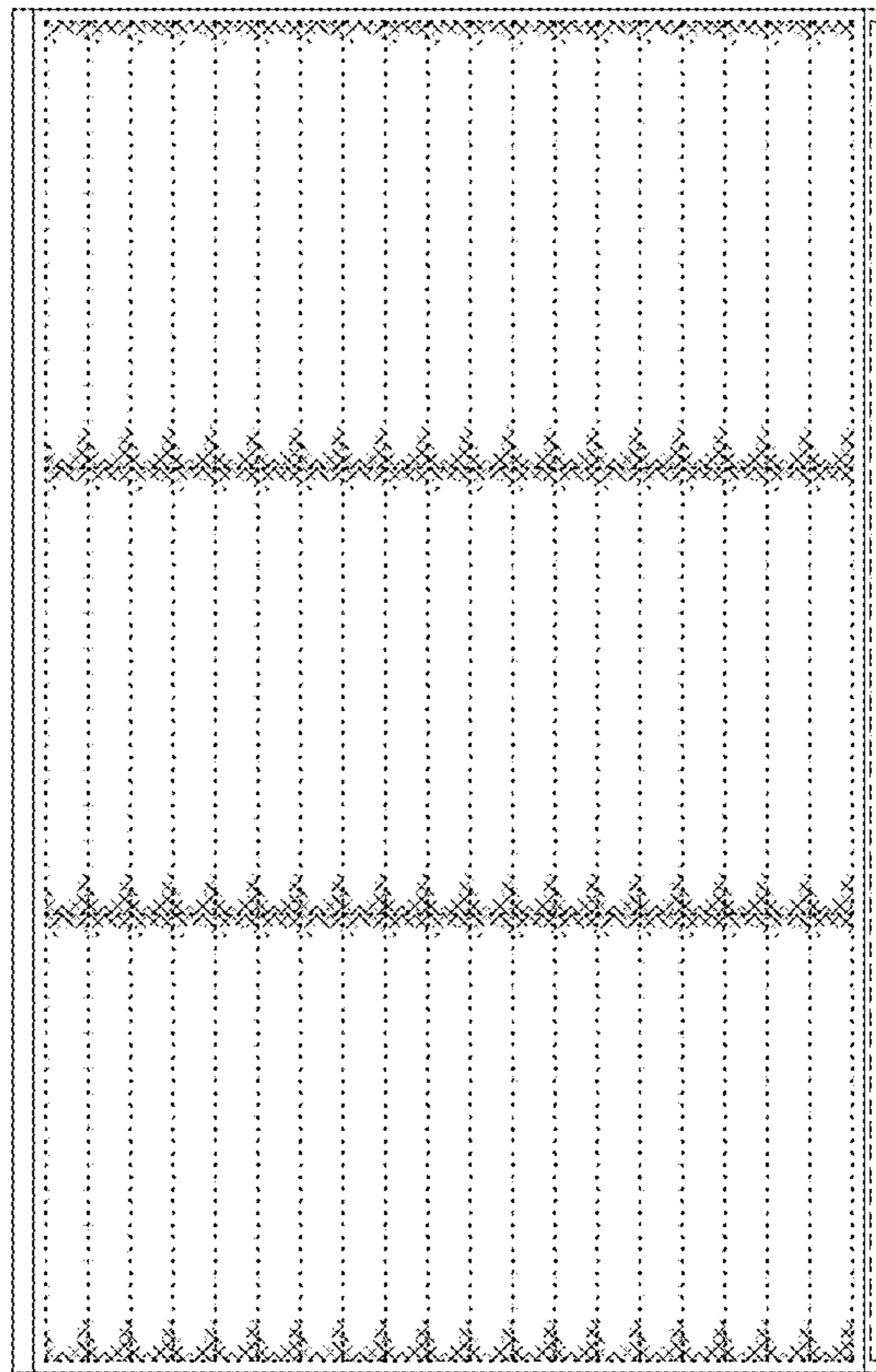
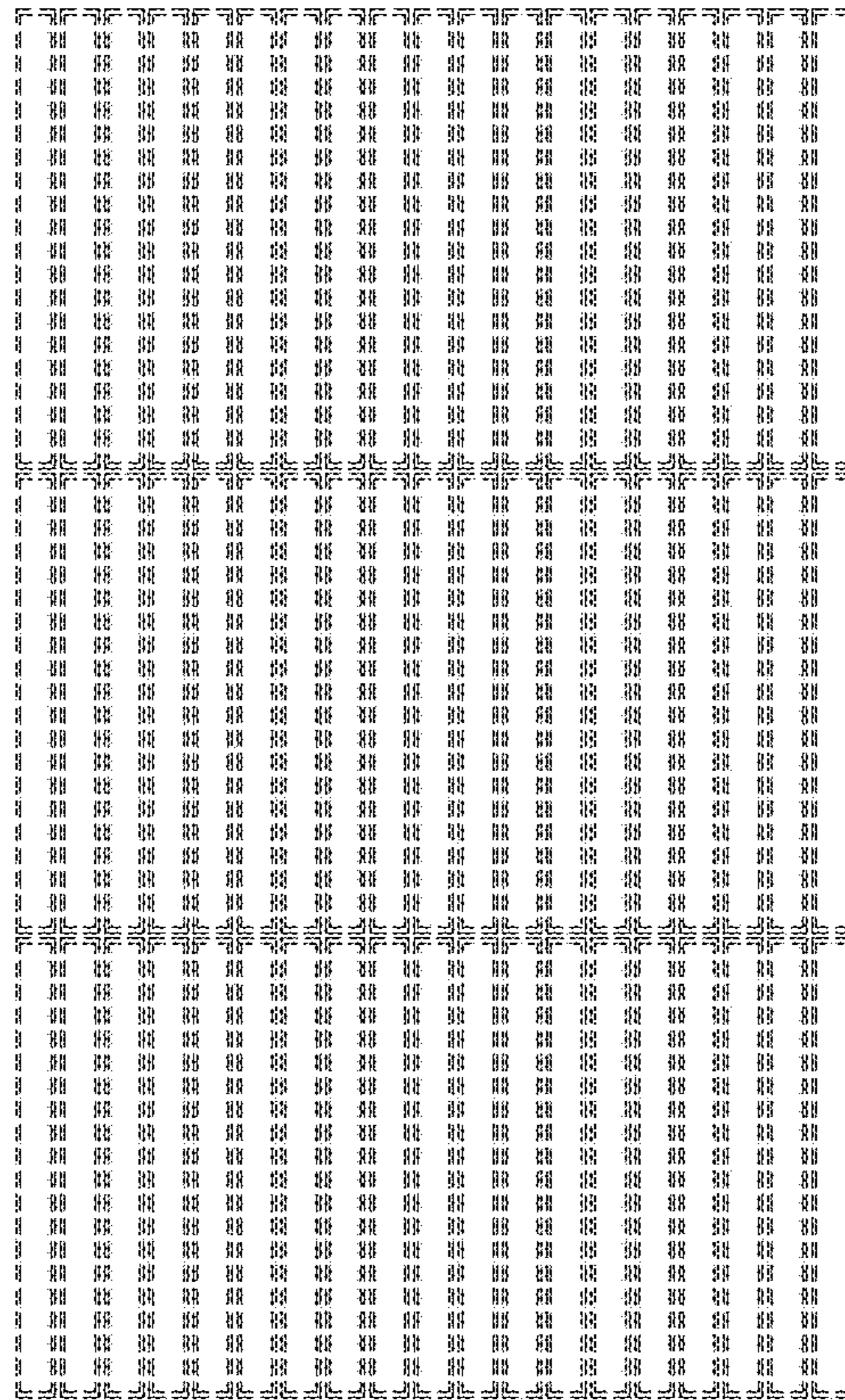


FIG. 4

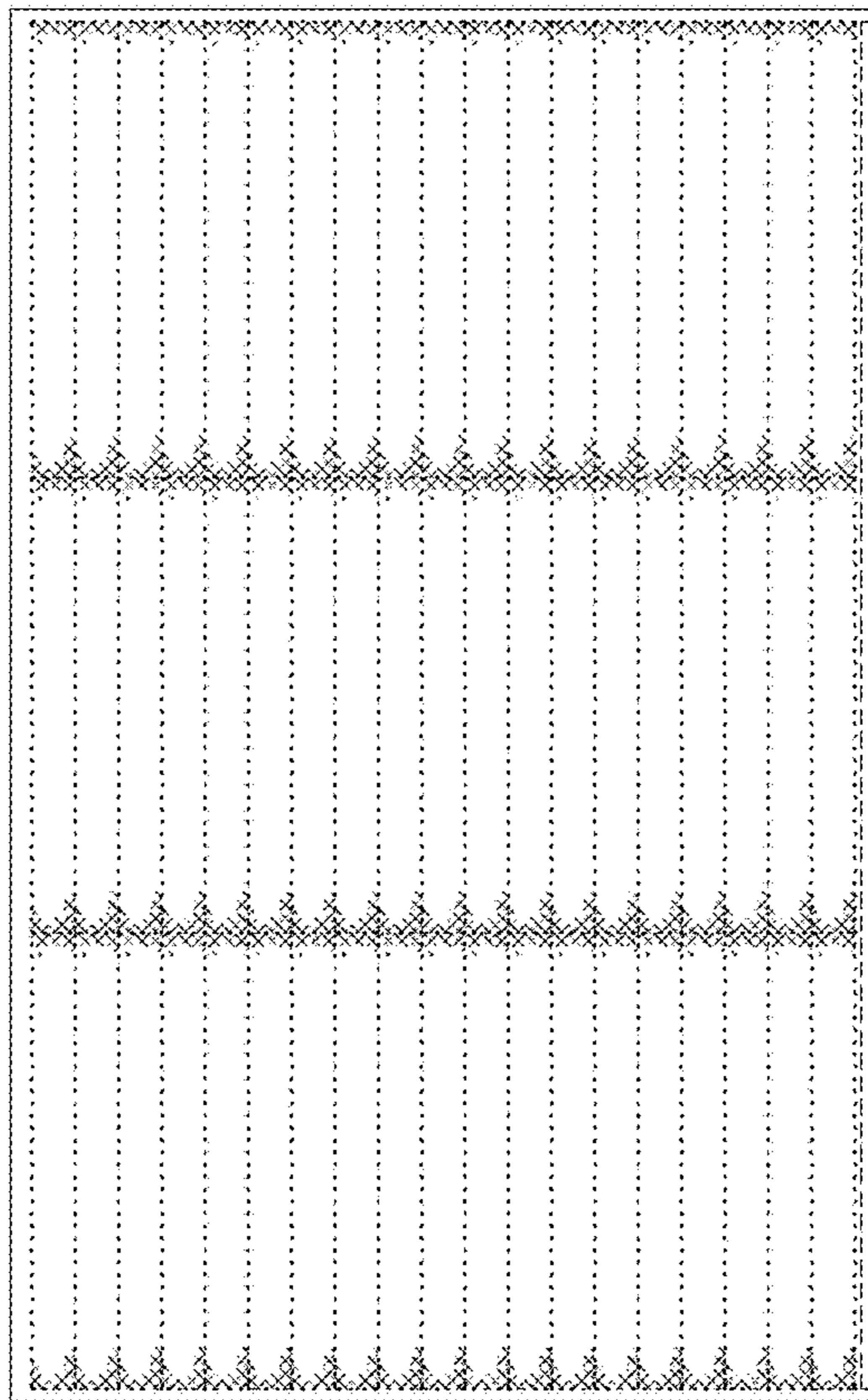
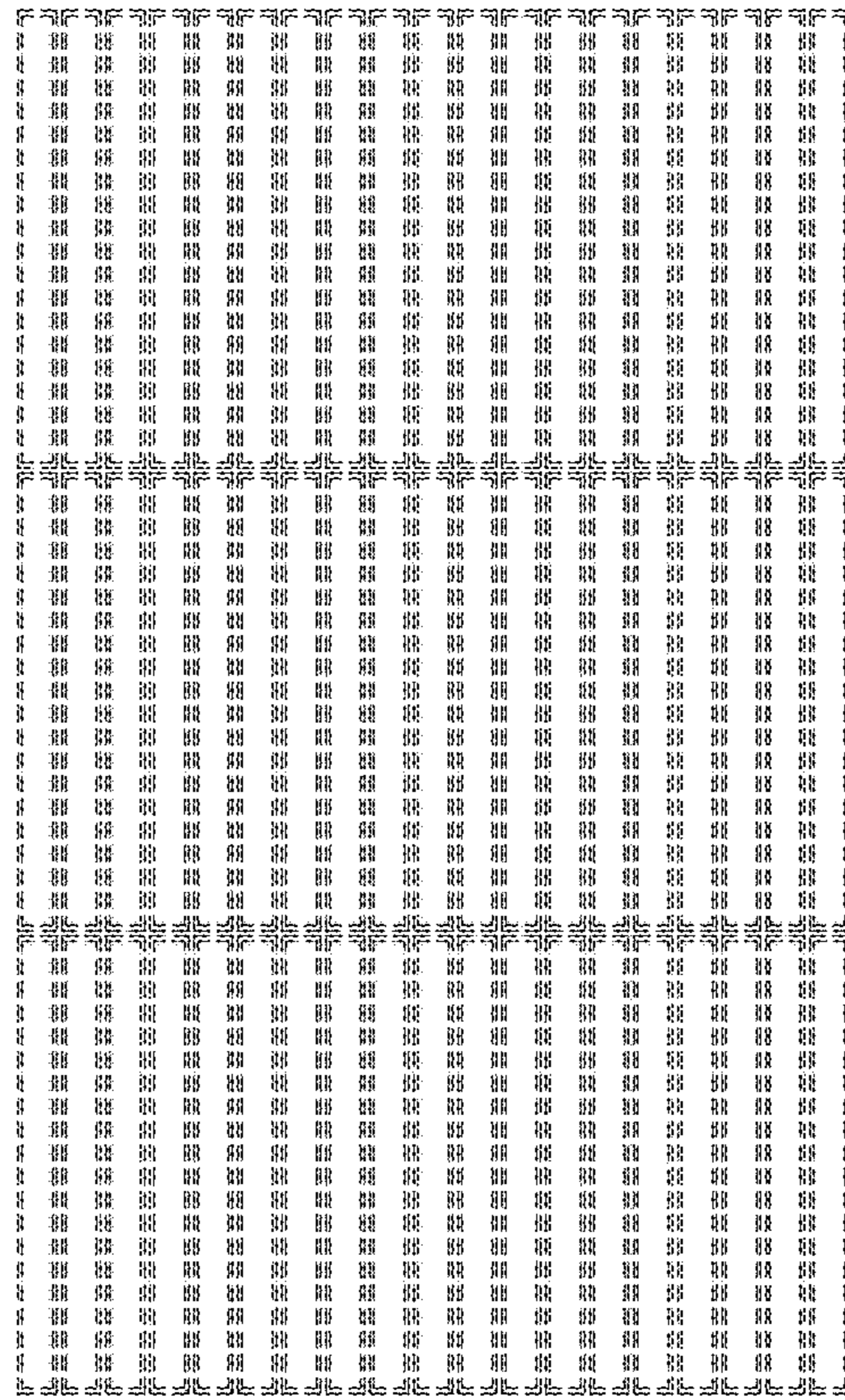


FIG. 5

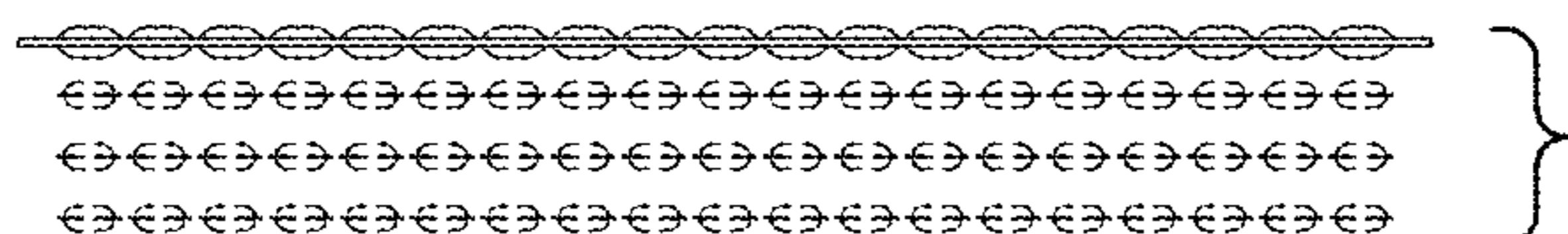


FIG.6

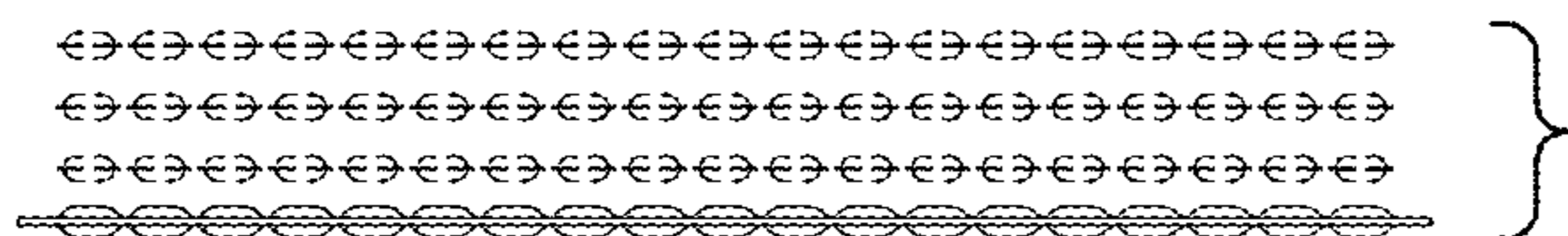


FIG.7

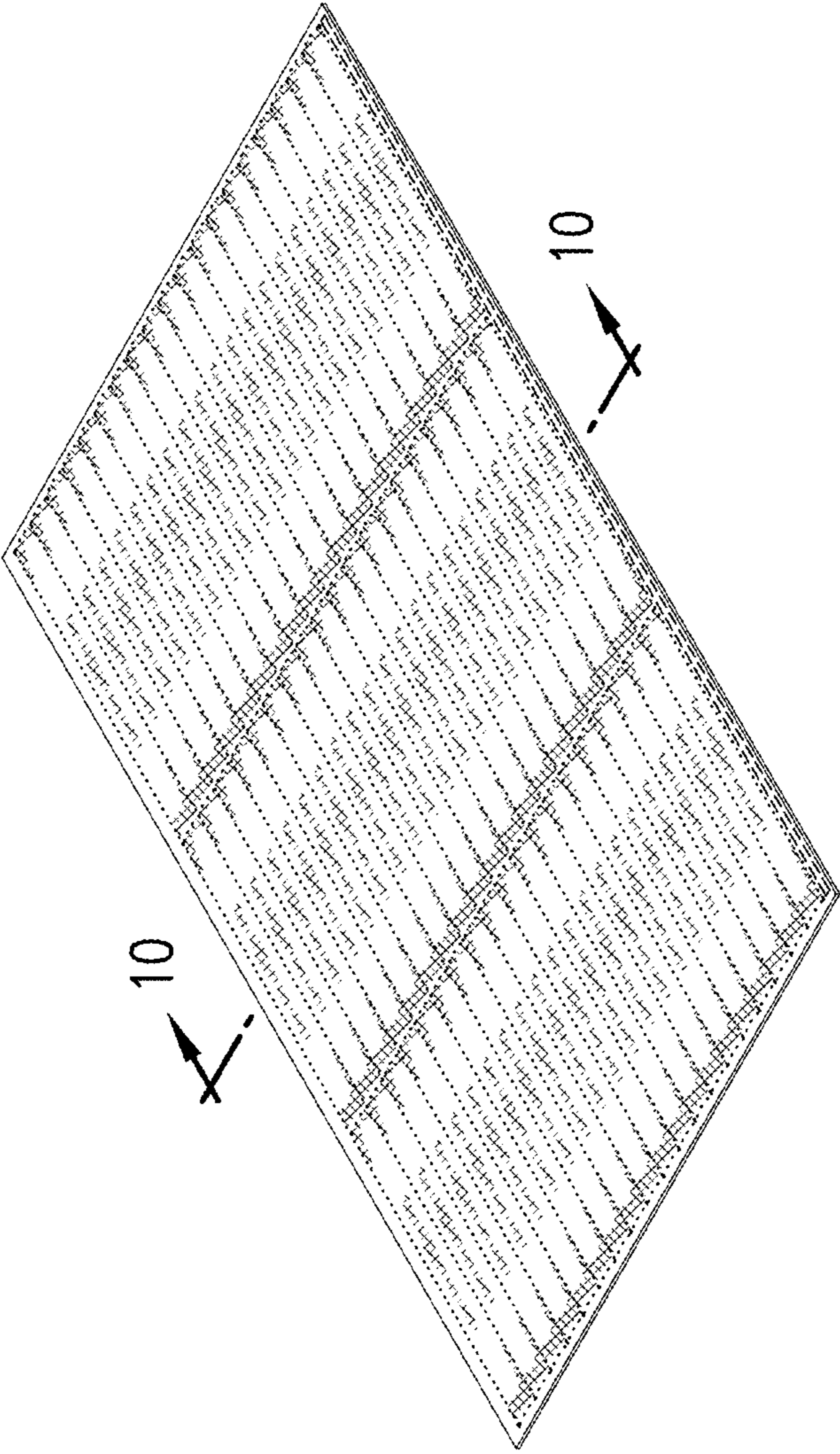


FIG.8

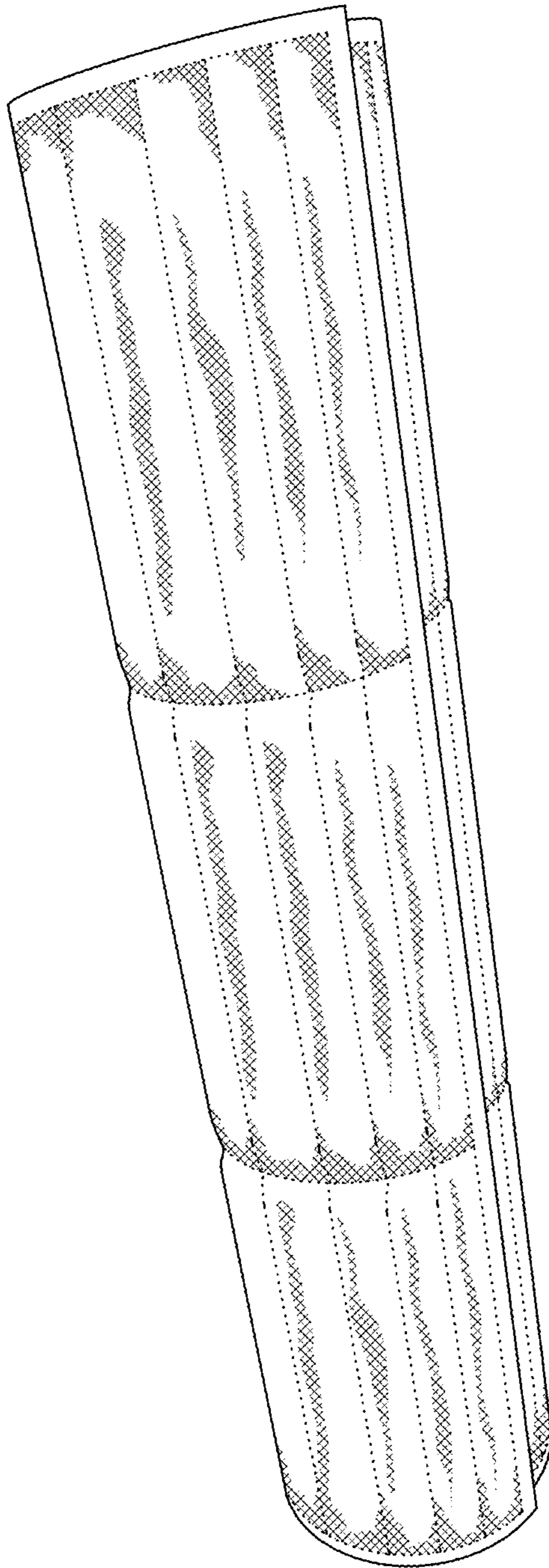


FIG.9



FIG. 10