



US00D780262S

(12) **United States Design Patent**
Tsai

(10) **Patent No.:** **US D780,262 S**
(45) **Date of Patent:** **** Feb. 28, 2017**

- (54) **FILE ORGANIZER**
- (71) Applicant: **PRETTY STAR STORE LLC**,
Rowland Heights, CA (US)
- (72) Inventor: **Tsung-Yu Tsai**, Changhua (TW)
- (73) Assignee: **PRETTY STAR STORE LLC**,
Rowland Heights, CA (US)
- (**) Term: **15 Years**
- (21) Appl. No.: **29/539,372**
- (22) Filed: **Sep. 14, 2015**
- (51) **LOC (10) Cl.** **19-02**
- (52) **U.S. Cl.**
USPC **D19/90**
- (58) **Field of Classification Search**
USPC D3/304, 305, 310–315; D6/407, 675,
D6/683, 683.1; D7/600.1–600.4, 601;
D9/737, 432; D19/75, 77–80, 86–87,
D19/90–92
CPC B42F 7/10; B42F 7/12; B42F 7/06; B42F
7/145; B42F 17/02; B42F 17/12; B43M
99/00; B43M 99/001; B43M 99/008;
A47B 6/00; A47B 47/00; A47B 47/0033;
A47B 47/0041; B65D 5/566
See application file for complete search history.

- 2,793,760 A * 5/1957 Zel et al. A47F 5/13
211/130.1
- D189,356 S * 11/1960 Kolkey D6/678.4
- 3,269,547 A * 8/1966 Chamberlin A47B 57/58
108/60
- D237,849 S * 12/1975 Hale D6/678.3
- D249,913 S * 10/1978 Nicely D19/91
- 4,150,629 A * 4/1979 Santi A47J 47/16
108/60
- D551,454 S * 9/2007 Cheng D3/306
- D579,691 S * 11/2008 Snider D6/675.2
- D669,540 S * 10/2012 Hu D19/92
- D690,769 S * 10/2013 Hu D19/92
- D719,610 S * 12/2014 Tsai D19/90
- 9,050,848 B2 * 6/2015 Tsai B42F 7/10
- D756,458 S * 5/2016 Tsai D19/90

(Continued)

Primary Examiner — Elizabeth Albert

(74) *Attorney, Agent, or Firm* — Muncy, Geissler, Olds & Lowe, P.C.

(57) **CLAIM**

The ornamental design for a file organizer, as shown and described.

DESCRIPTION

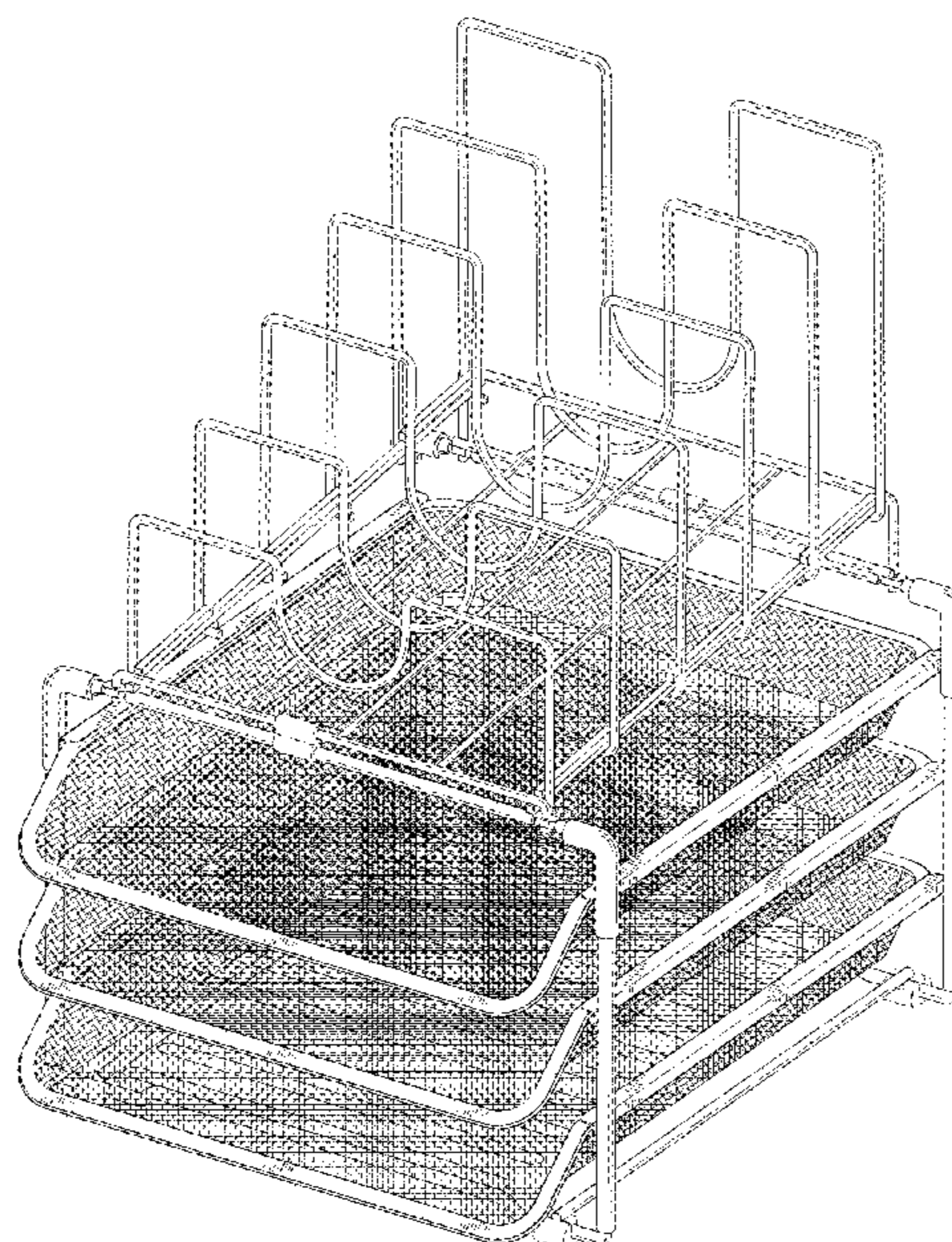
FIG. 1 is a perspective view of the present design;
 FIG. 2 is a front view of the present design;
 FIG. 3 is a rear view of the present design;
 FIG. 4 is a left side view of the present design;
 FIG. 5 is a right side view of the present design;
 FIG. 6 is a top view of the present design; and,
 FIG. 7 is a bottom view of the present design.
 The broken lines in the drawings are included for the purpose of showing portions of the file organizer that form no part of the claimed design.

1 Claim, 7 Drawing Sheets

(56) **References Cited**

U.S. PATENT DOCUMENTS

- 451,729 A * 5/1891 Dom B42F 17/12
211/11
- 565,864 A * 8/1896 Peacock B42F 17/02
211/51
- 921,694 A * 5/1909 Hall A47B 87/0261
206/511



(56)

References Cited

U.S. PATENT DOCUMENTS

D757,176 S * 5/2016 Tsai D19/92
D757,177 S * 5/2016 Tsai D19/92
D758,488 S * 6/2016 Tsai D19/92

* cited by examiner

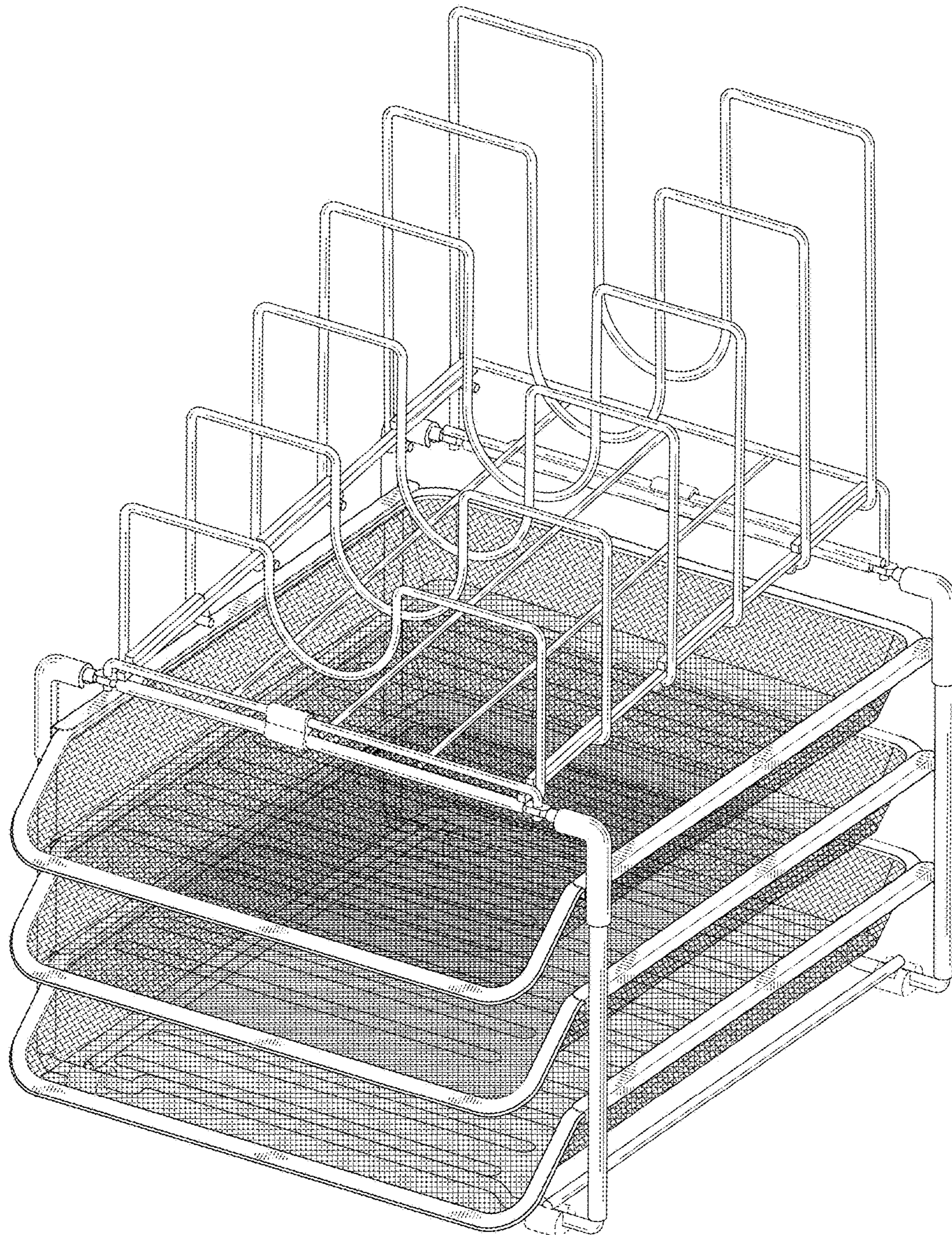


FIG. 1

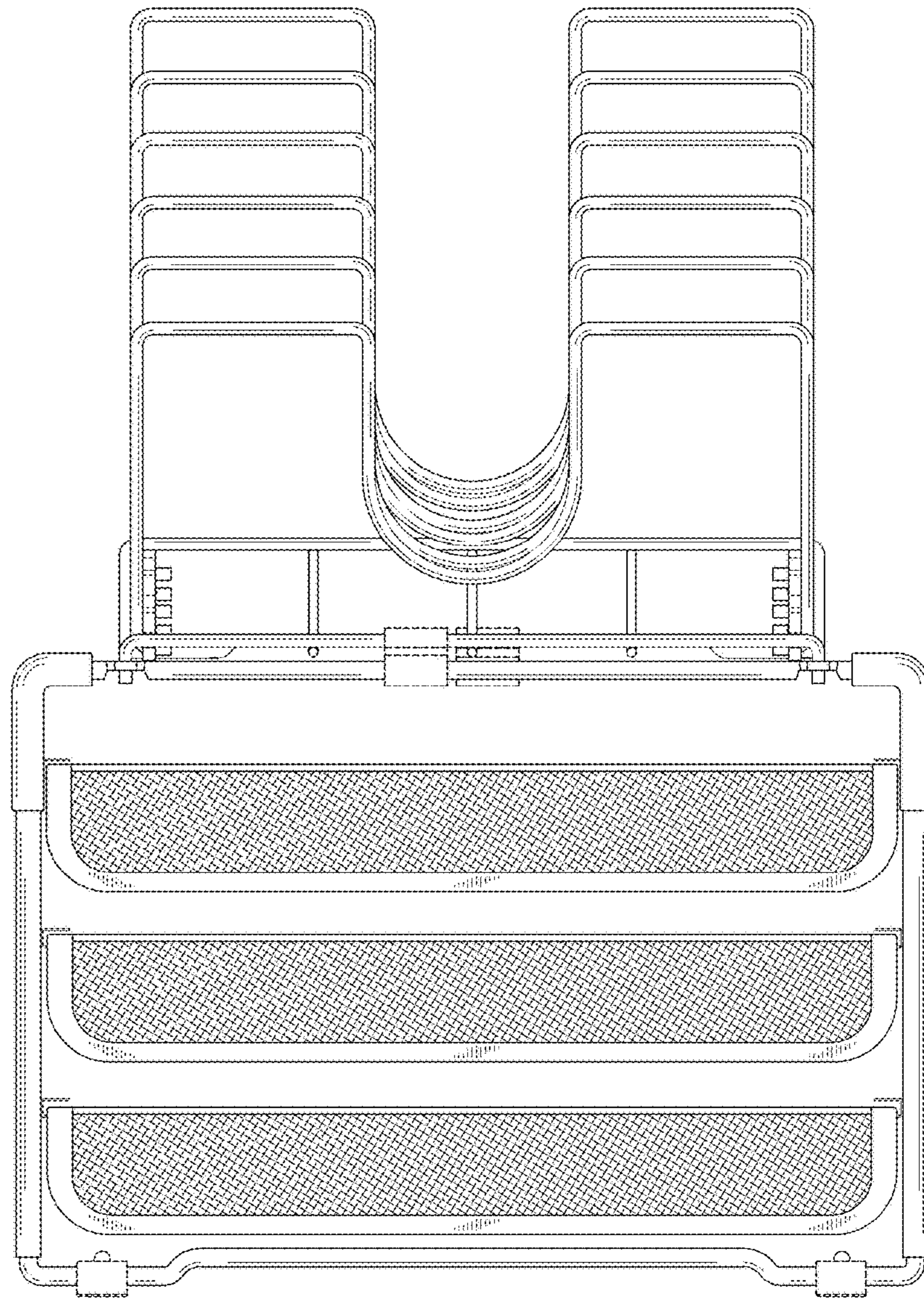


FIG. 2

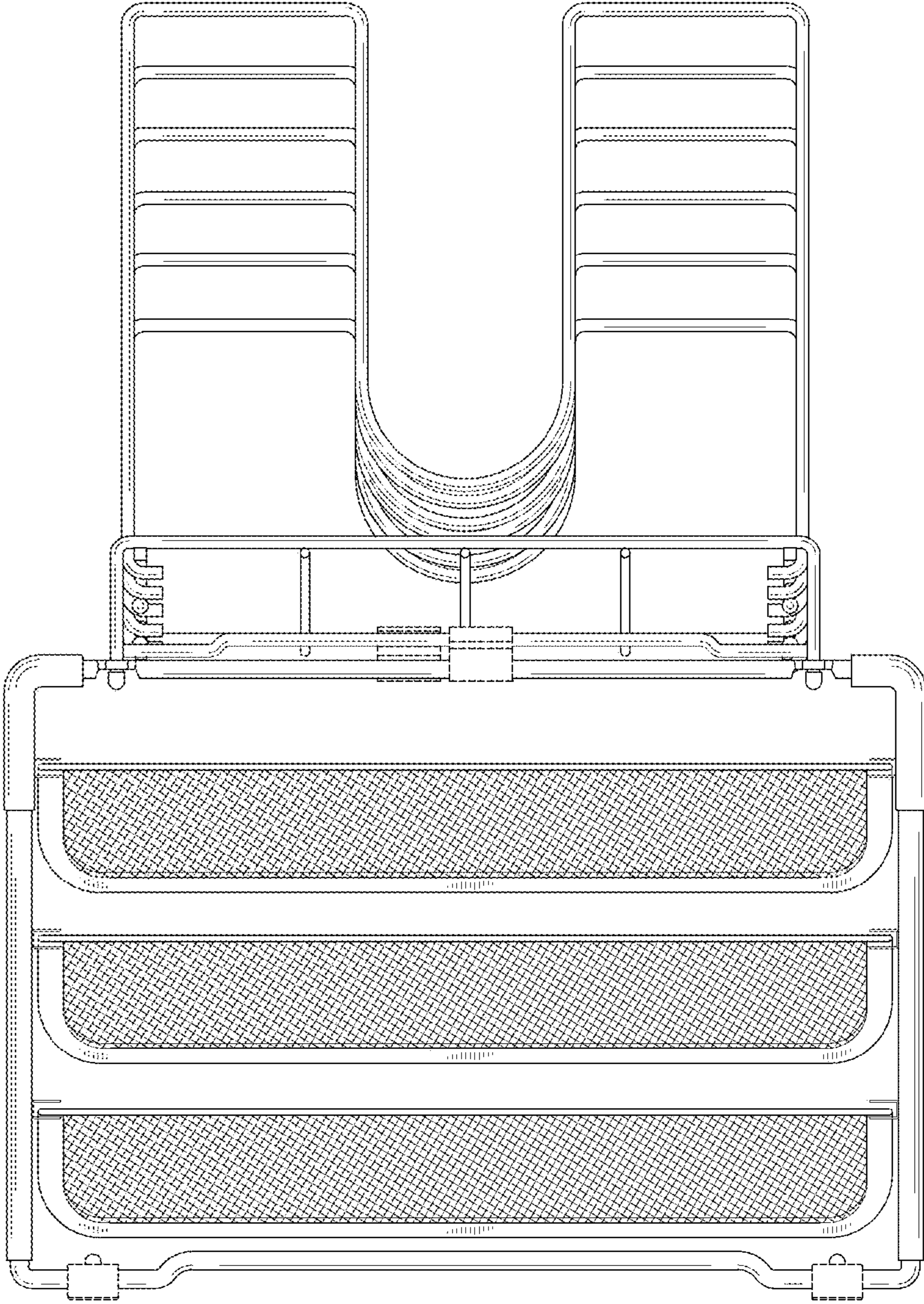


FIG. 3

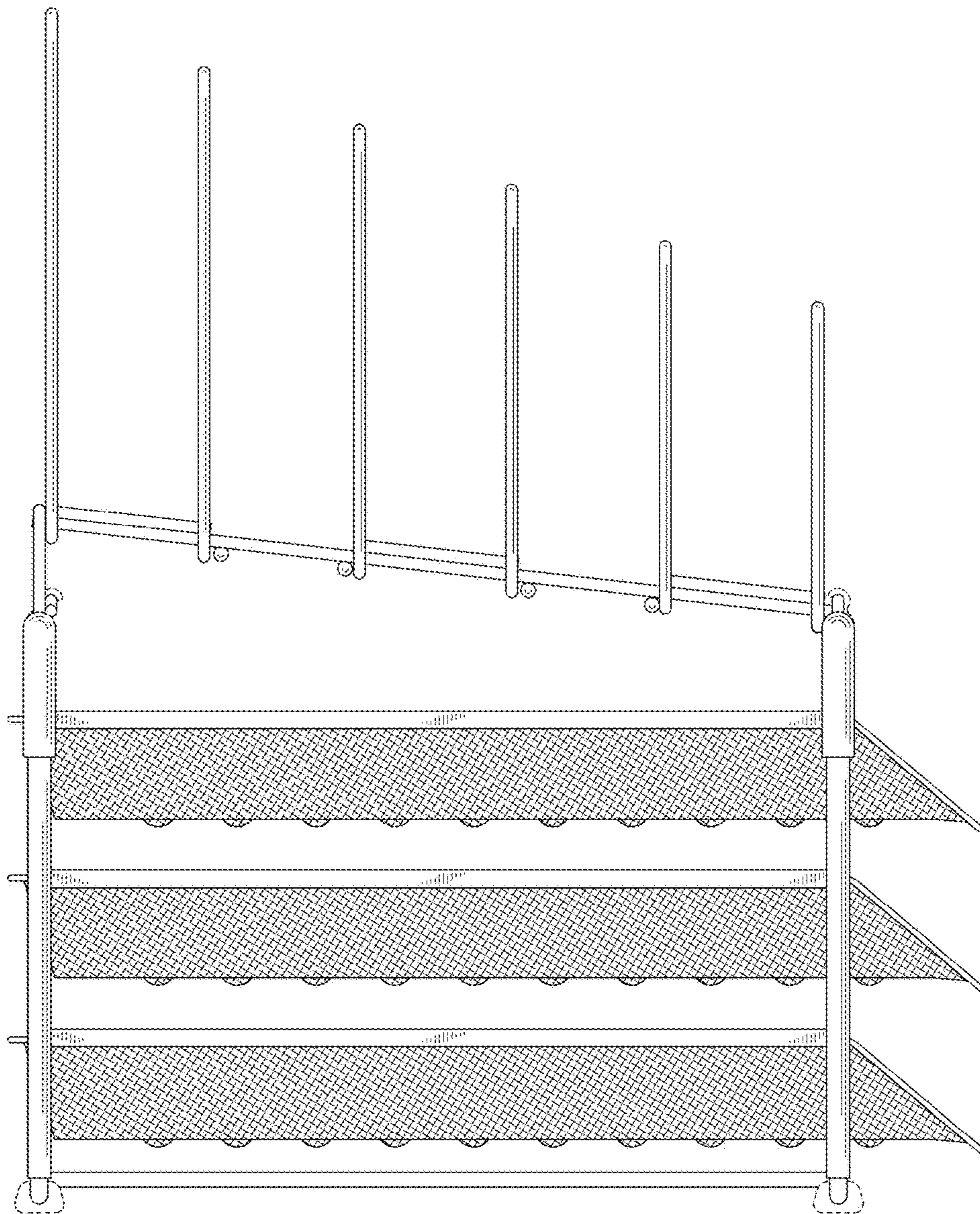


FIG. 4

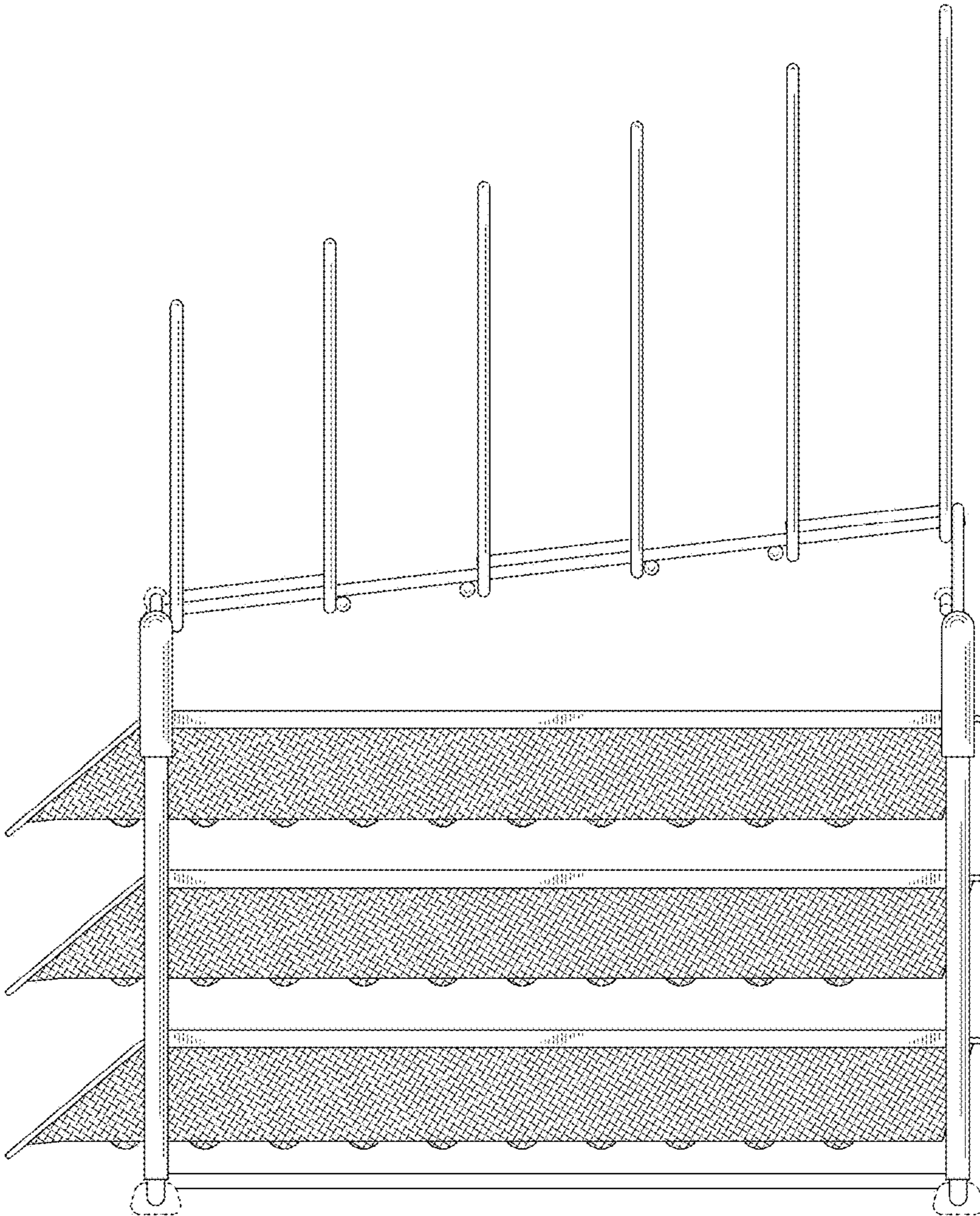


FIG. 5

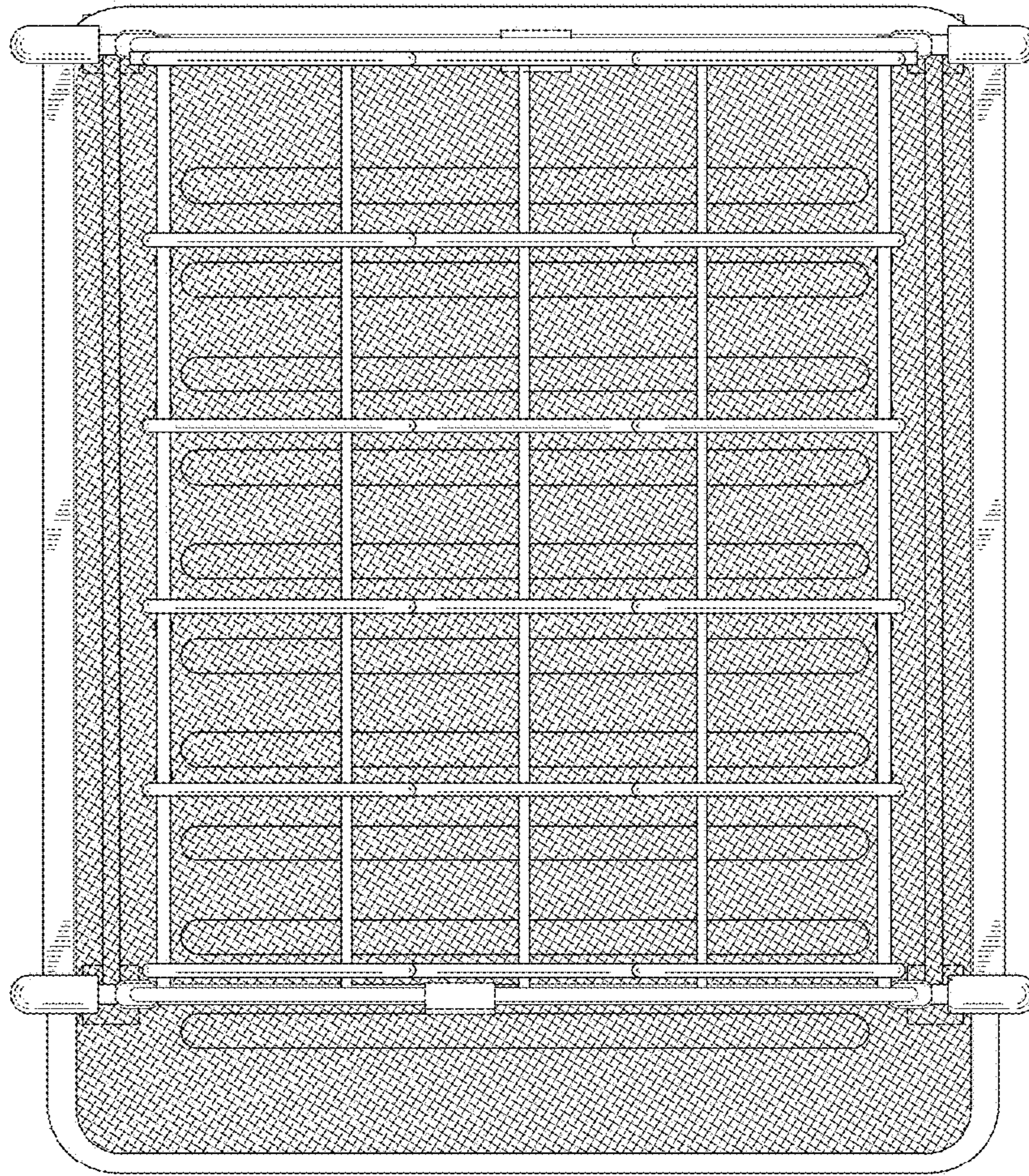


FIG. 6

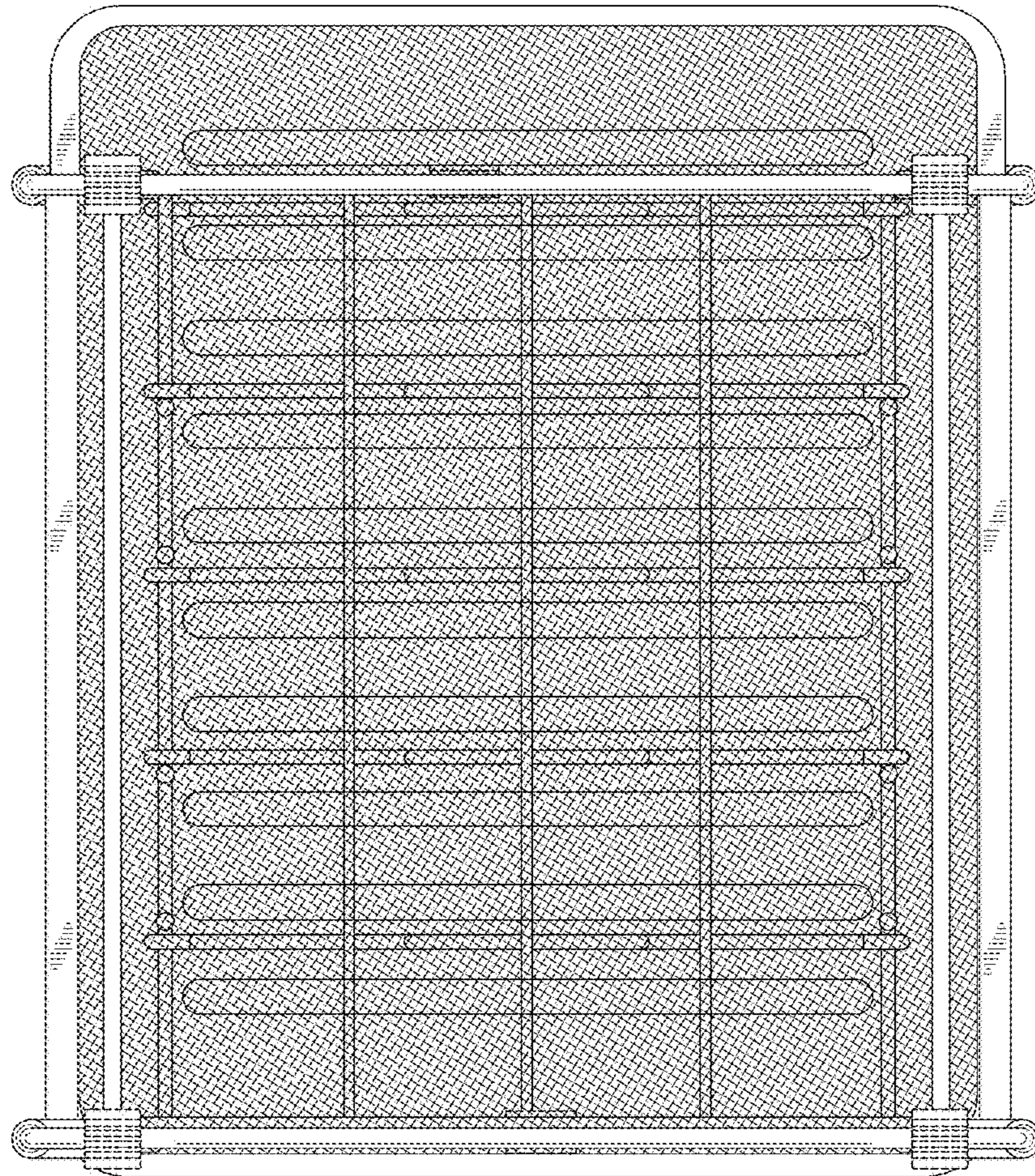


FIG. 7