



US00D780258S

(12) **United States Design Patent**  
**Kimura et al.**

(10) **Patent No.:** **US D780,258 S**

(45) **Date of Patent:** **\*\* Feb. 28, 2017**

(54) **INK TANK FOR PRINTER**

(71) Applicant: **SEIKO EPSON CORPORATION,**  
Tokyo (JP)

(72) Inventors: **Naomi Kimura,** Okaya (JP); **Shoma Kudo,** Shiojiri (JP); **Koji Nishimaki,** Matsumoto (JP); **Yoshiyuki Tanaka,** Matsumoto (JP); **Shoichi Ishizawa,** Nagano (JP); **Makoto Omuro,** Matsumoto (JP); **Koji Kawai,** Shiojiri (JP)

(73) Assignee: **SEIKO EPSON CORPORATION,**  
Tokyo (JP)

(\*\*) Term: **15 Years**

(21) Appl. No.: **29/543,200**

(22) Filed: **Oct. 21, 2015**

(30) **Foreign Application Priority Data**

Apr. 24, 2015 (JP) ..... 2015-009280

(51) **LOC (10) Cl.** ..... **18-02**

(52) **U.S. Cl.**  
USPC ..... **D18/56**

(58) **Field of Classification Search**  
USPC ..... D18/56, 12, 40, 43; 347/86  
CPC ..... B14J 2/17; B14J 2/1721; B14J 2/175;  
B14J 2/17503; B14J 2/175013; B14J  
2/1752; B14J 2/17523; B14J  
2/17553; B14J 2/17556; B14J  
2/185; B14J 29/377

See application file for complete search history.

(56) **References Cited**

**U.S. PATENT DOCUMENTS**

D351,190 S \* 10/1994 Oshima ..... D18/56  
D363,507 S \* 10/1995 Kashino ..... 347/87

D363,508 S \* 10/1995 Kashino ..... 347/87  
D442,219 S \* 5/2001 Chou ..... D18/56  
D443,639 S \* 6/2001 Chou ..... D18/56  
D461,493 S \* 8/2002 Tajima ..... D18/56  
D461,494 S \* 8/2002 Tajima ..... D18/56  
D490,102 S \* 5/2004 Umeyama ..... 347/86  
D539,340 S \* 3/2007 Shibata ..... 347/86  
D609,272 S \* 2/2010 Lecheheb ..... D18/56  
D658,713 S \* 5/2012 Miller ..... D18/56  
D678,405 S \* 3/2013 Okuda ..... D18/56  
D680,165 S \* 4/2013 Takagi ..... D18/56  
D721,132 S \* 1/2015 Kobayashi ..... D18/56  
8,926,073 B2 \* 1/2015 Shimizu ..... B41J 2/17523  
347/85  
9,144,985 B2 \* 9/2015 Koike ..... B41J 2/175  
9,289,999 B2 \* 3/2016 Koike ..... B41J 2/17513

(Continued)

*Primary Examiner* — Cathron Brooks  
*Assistant Examiner* — Andrew Nemeth

(57) **CLAIM**

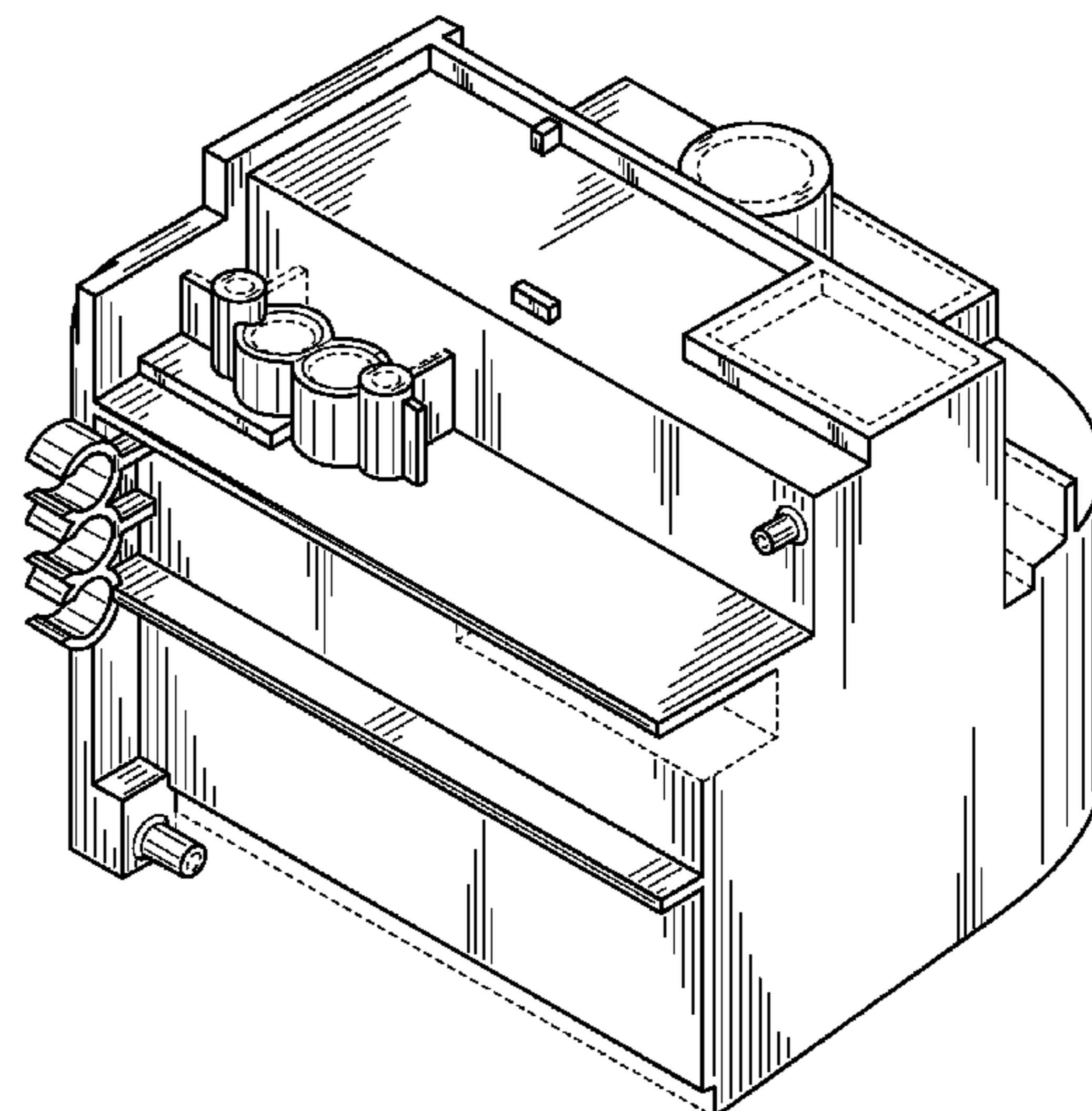
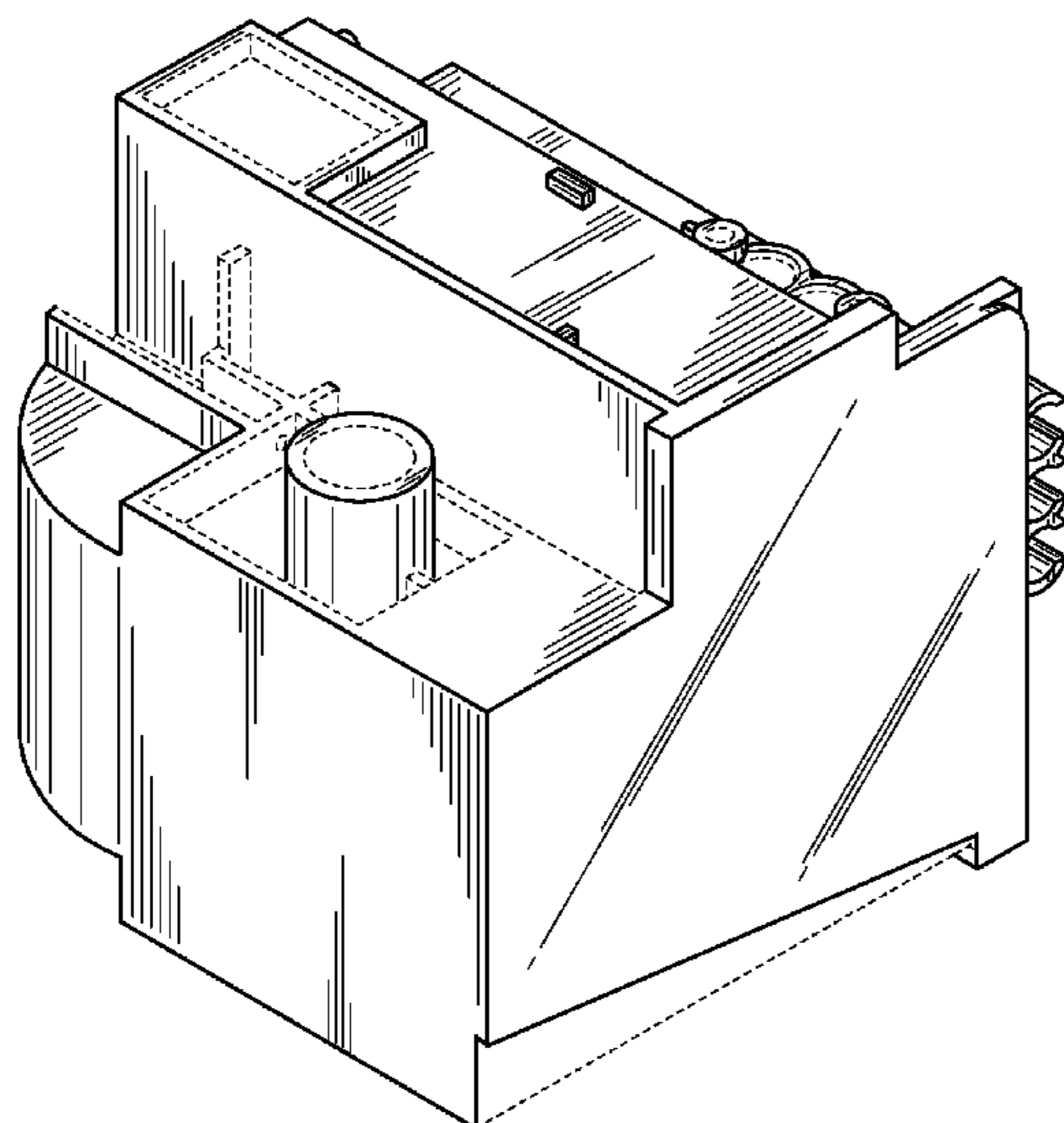
The ornamental design for an ink tank for printer, as shown and described.

**DESCRIPTION**

FIG. 1 is a front perspective view of an ink tank for printer showing our new design;  
FIG. 2 is a rear perspective view thereof;  
FIG. 3 is a front view thereof;  
FIG. 4 is a rear view thereof;  
FIG. 5 is a top plan view thereof;  
FIG. 6 is a bottom plan view thereof;  
FIG. 7 is a right side view thereof; and,  
FIG. 8 is a left side view thereof.

The features shown in broken lines in the drawings depict environmental subject matter only and form no part of the claimed design. The oblique shade lines in FIGS. 1 and 7 are intended to represent translucency.

**1 Claim, 8 Drawing Sheets**



(56)

References Cited

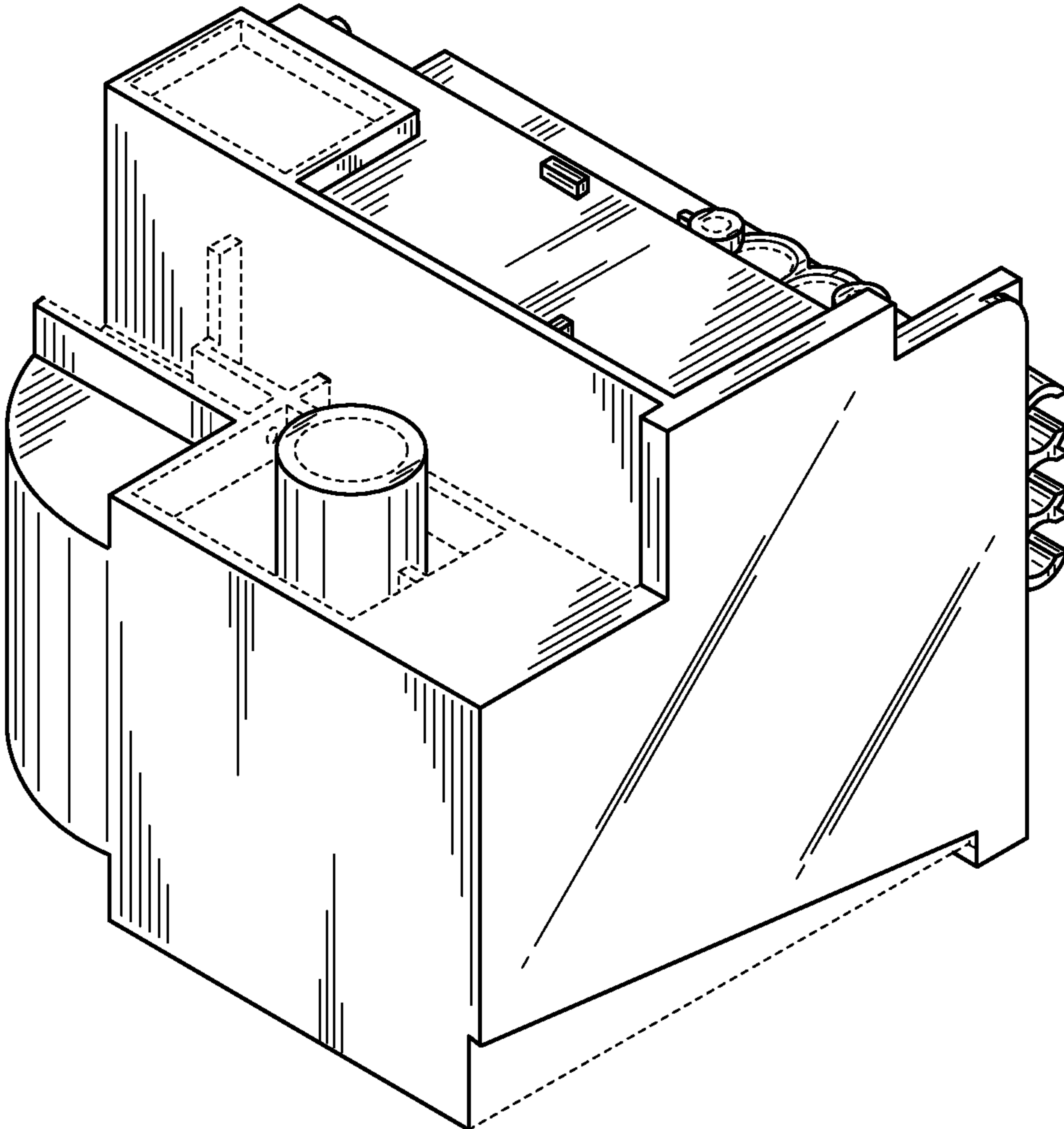
U.S. PATENT DOCUMENTS

9,403,371 B2 \* 8/2016 Koike ..... B41J 2/17513  
 9,415,601 B1 \* 8/2016 Tsukida ..... B41J 2/17566  
 9,421,779 B2 \* 8/2016 Mokhammad ..... B41J 2/17509  
 9,421,781 B2 \* 8/2016 Kimura ..... B41J 2/1752  
 9,427,972 B2 \* 8/2016 Kimura ..... B41J 2/1752  
 9,493,009 B2 \* 11/2016 Kimura ..... B41J 2/17526  
 9,493,010 B2 \* 11/2016 Kudo ..... B41J 2/17553  
 2004/0021751 A1 \* 2/2004 Steinmetz ..... B41J 2/17509  
 347/86  
 2004/0090502 A1 \* 5/2004 Tham ..... B41J 2/17513  
 347/86  
 2008/0036829 A1 \* 2/2008 Nishioka ..... B41J 2/17513  
 347/86  
 2008/0117270 A1 \* 5/2008 Koike ..... B41J 2/17509  
 347/86  
 2010/0328405 A1 \* 12/2010 Ness ..... G06K 15/102  
 347/86  
 2015/0197095 A1 \* 7/2015 Kimura ..... B41J 2/17523  
 347/85  
 2015/0197097 A1 \* 7/2015 Kobayashi ..... B41J 2/17509  
 347/92

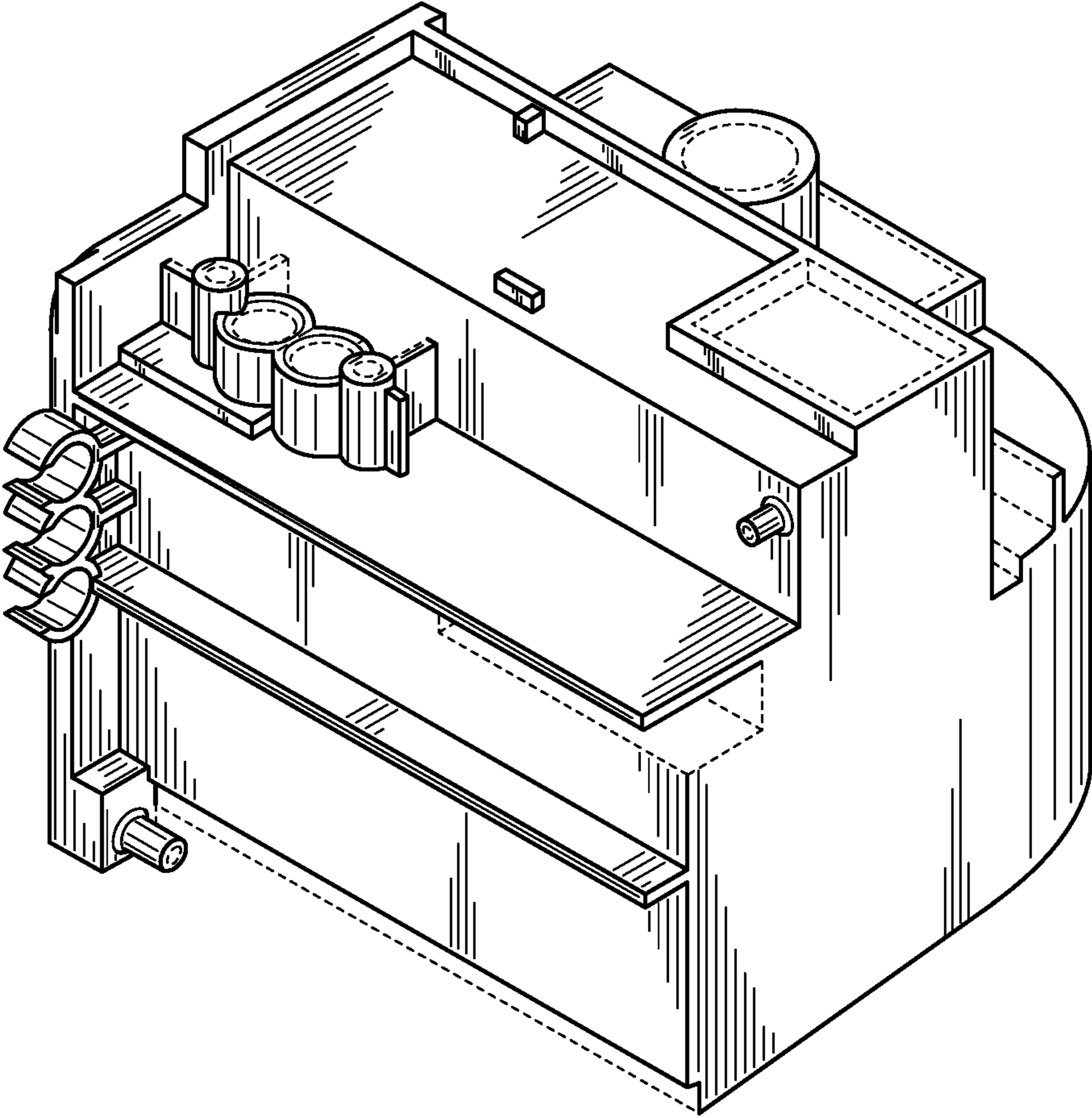
2015/0210081 A1 \* 7/2015 Suzuki ..... B41J 2/175  
 347/86  
 2015/0352853 A1 \* 12/2015 Kudo ..... B41J 2/175  
 347/86  
 2015/0367648 A1 \* 12/2015 Kimura ..... B41J 2/17509  
 347/86  
 2016/0009096 A1 \* 1/2016 Suzuki ..... B41J 2/175  
 347/86  
 2016/0009098 A1 \* 1/2016 Kimura ..... B41J 2/17566  
 347/86  
 2016/0009100 A1 \* 1/2016 Kudo ..... B41J 2/17553  
 347/92  
 2016/0016409 A1 \* 1/2016 Kimura ..... B41J 2/17523  
 347/86  
 2016/0052286 A1 \* 2/2016 Kimura ..... B41J 2/17509  
 347/86  
 2016/0263900 A1 \* 9/2016 Kimura ..... B41J 2/1752  
 2016/0263901 A1 \* 9/2016 Kudo ..... B41J 2/1752  
 2016/0263902 A1 \* 9/2016 Kimura ..... B41J 2/1752  
 2016/0263905 A1 \* 9/2016 Kimura ..... B41J 2/17523  
 2016/0263906 A1 \* 9/2016 Kimura ..... B41J 2/17526  
 2016/0264306 A1 \* 9/2016 Nishimaki ..... B41J 2/1752  
 2016/0271962 A1 \* 9/2016 Omuro ..... B41J 2/17553  
 2016/0271967 A1 \* 9/2016 Kudo ..... B41J 2/19  
 2016/0279957 A1 \* 9/2016 Kudo ..... B41J 2/17523

\* cited by examiner

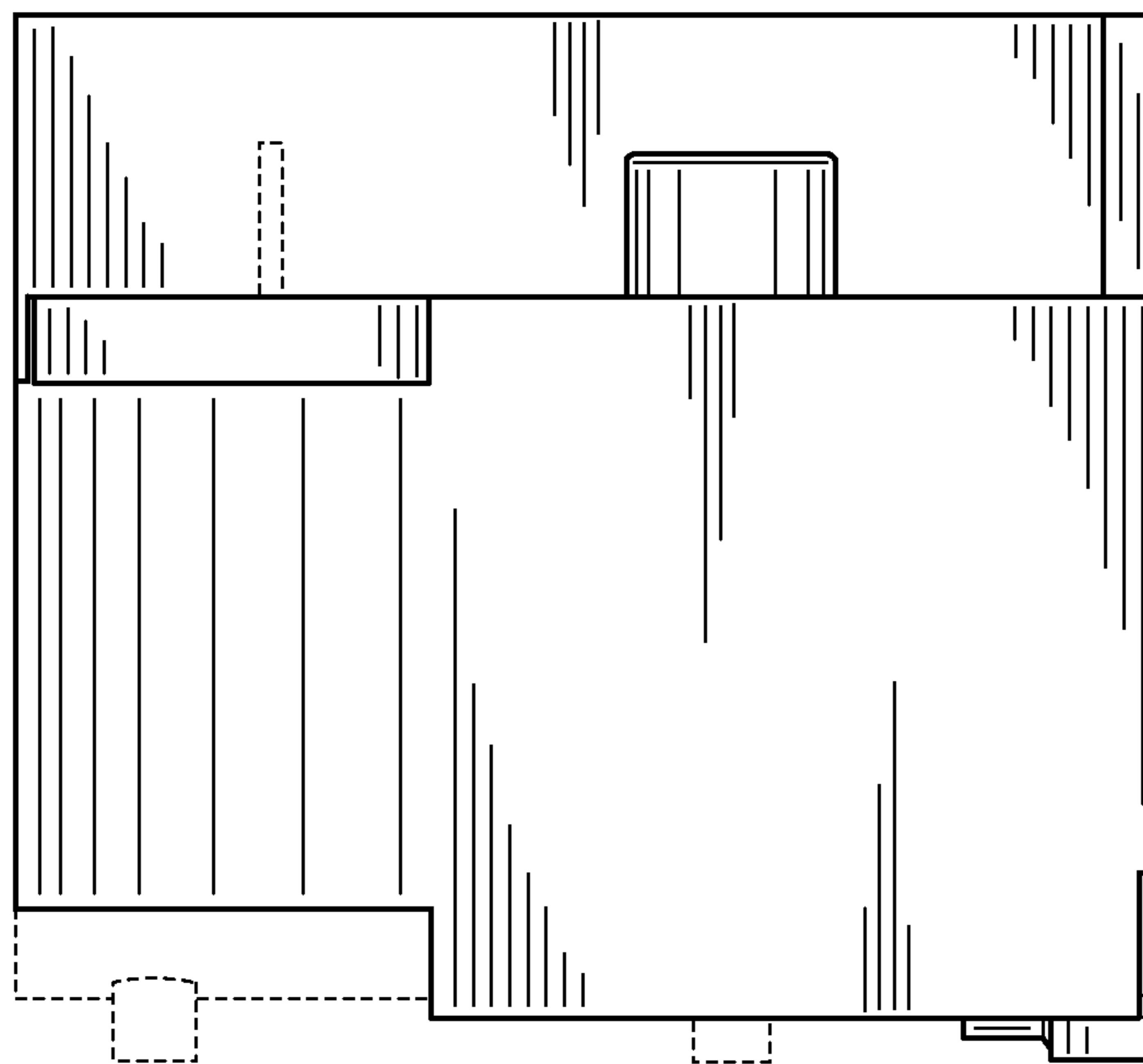
*FIG. 1*



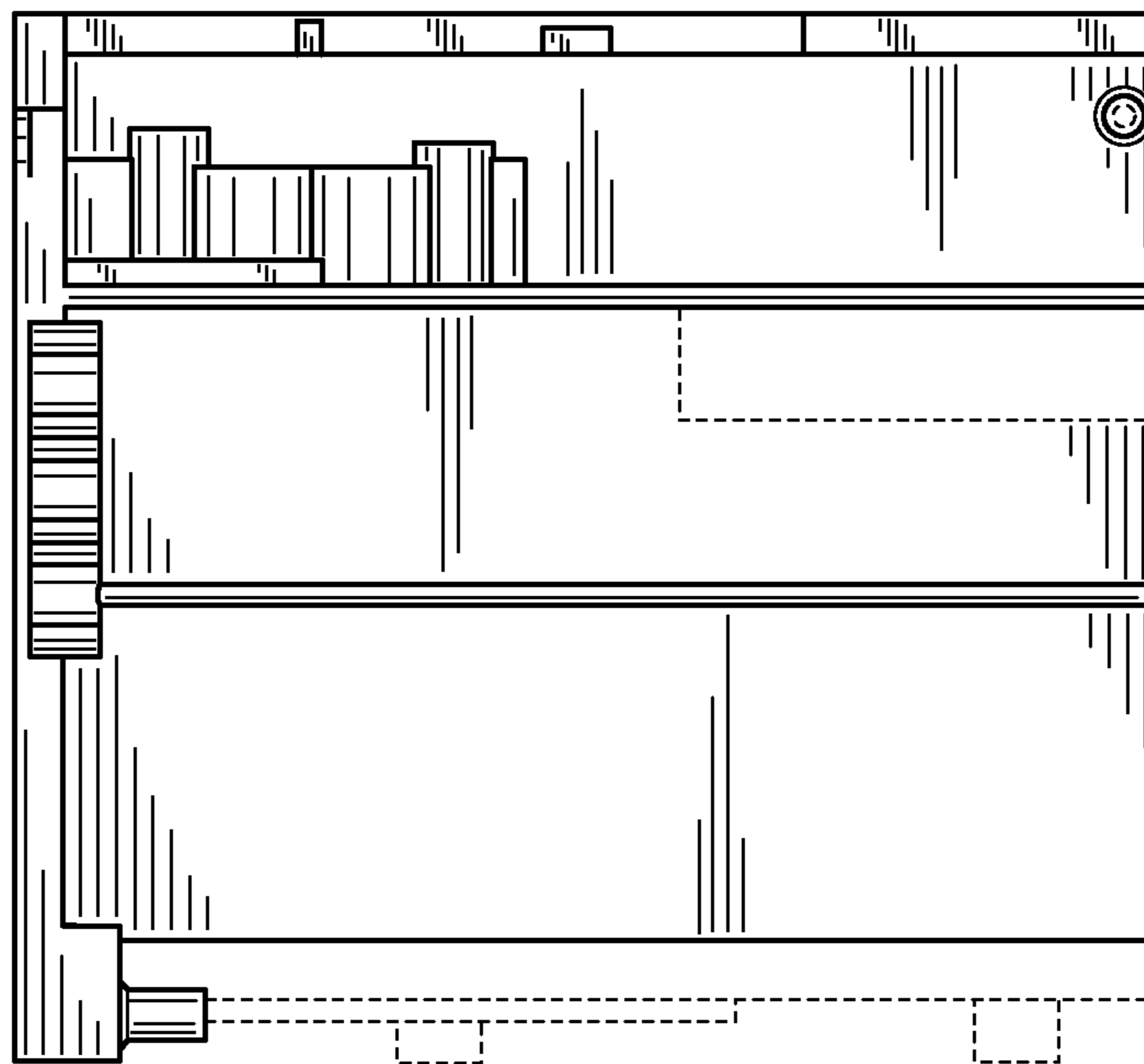
*FIG. 2*



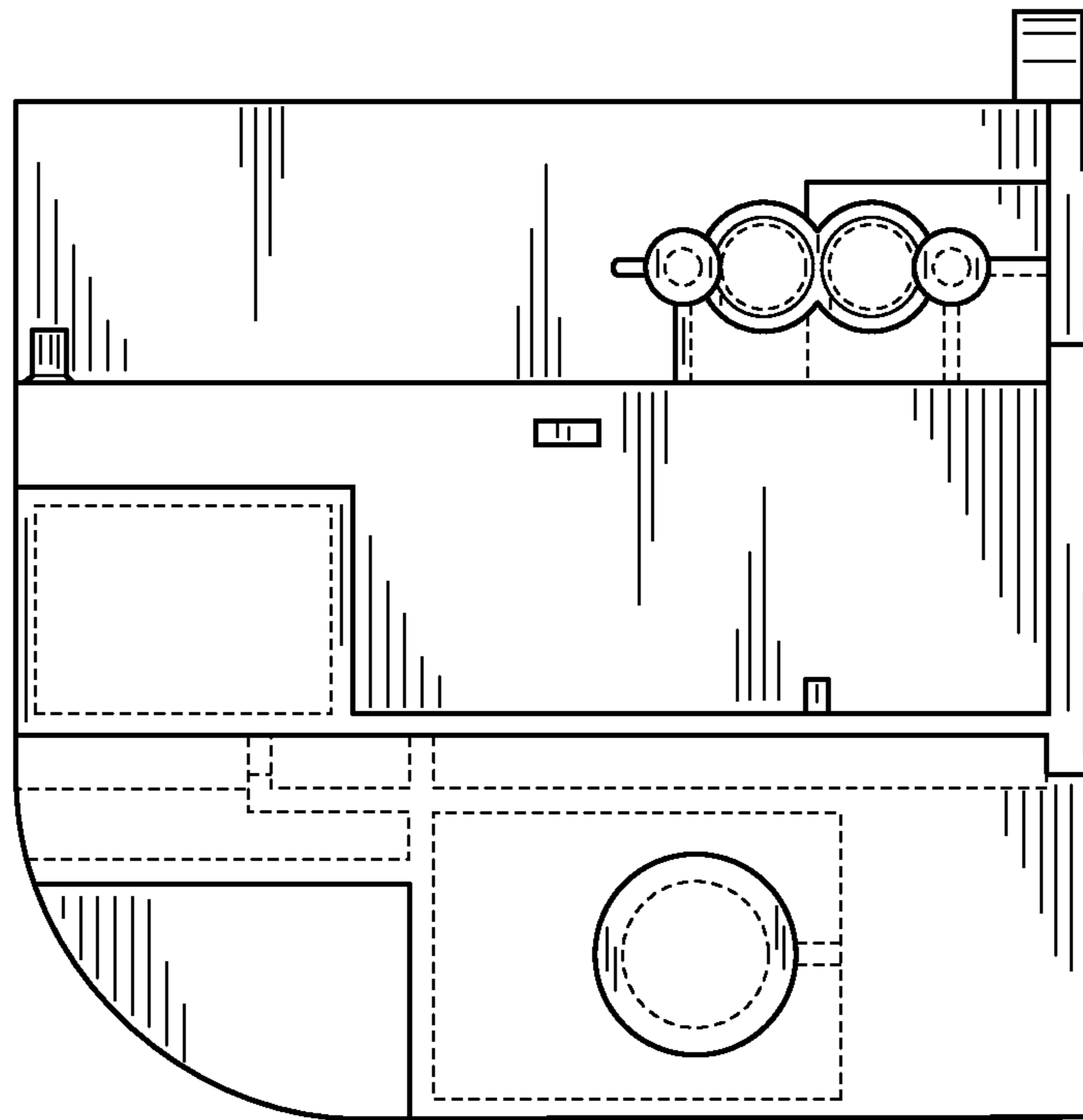
*FIG. 3*



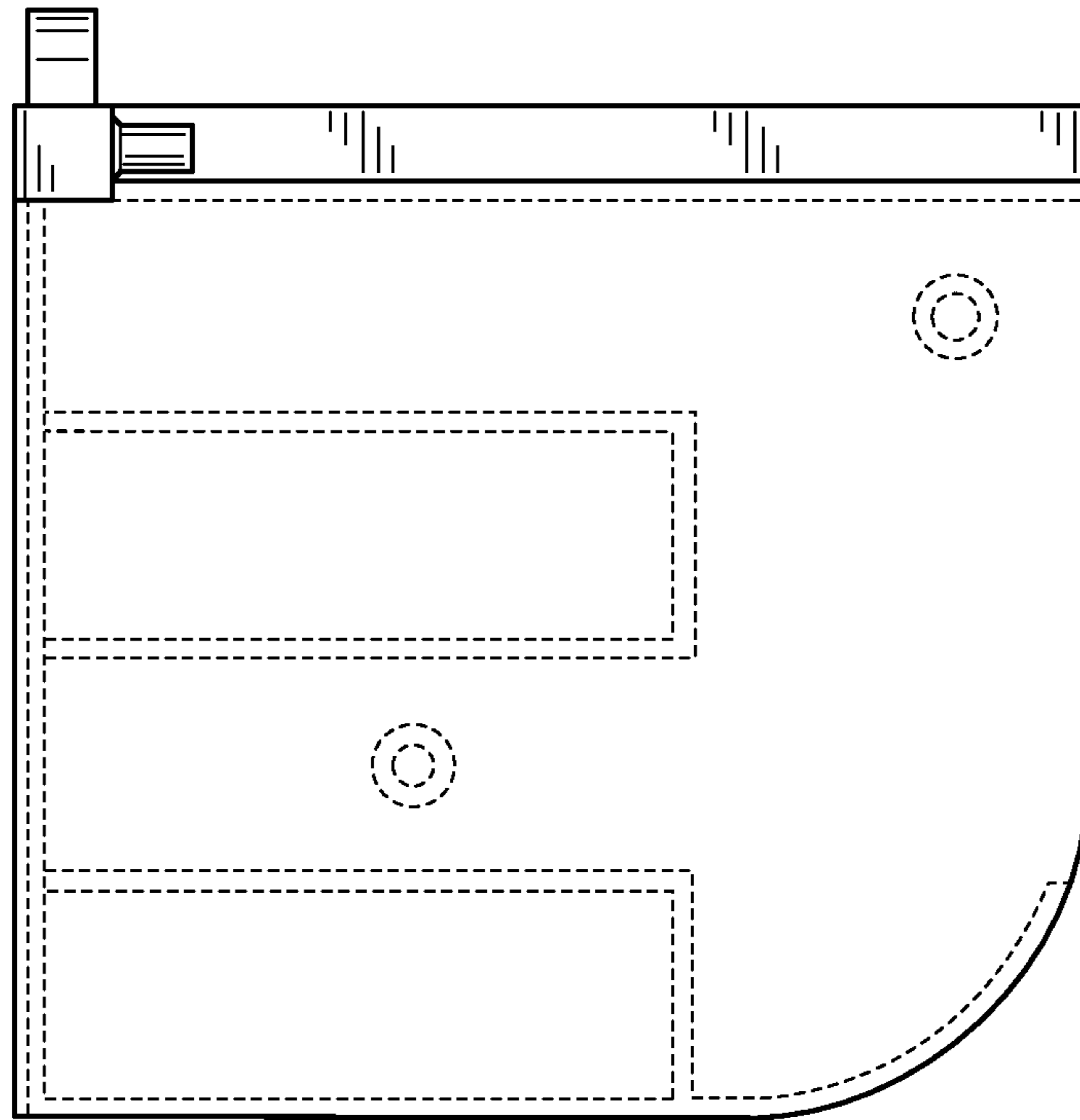
*FIG. 4*



*FIG. 5*

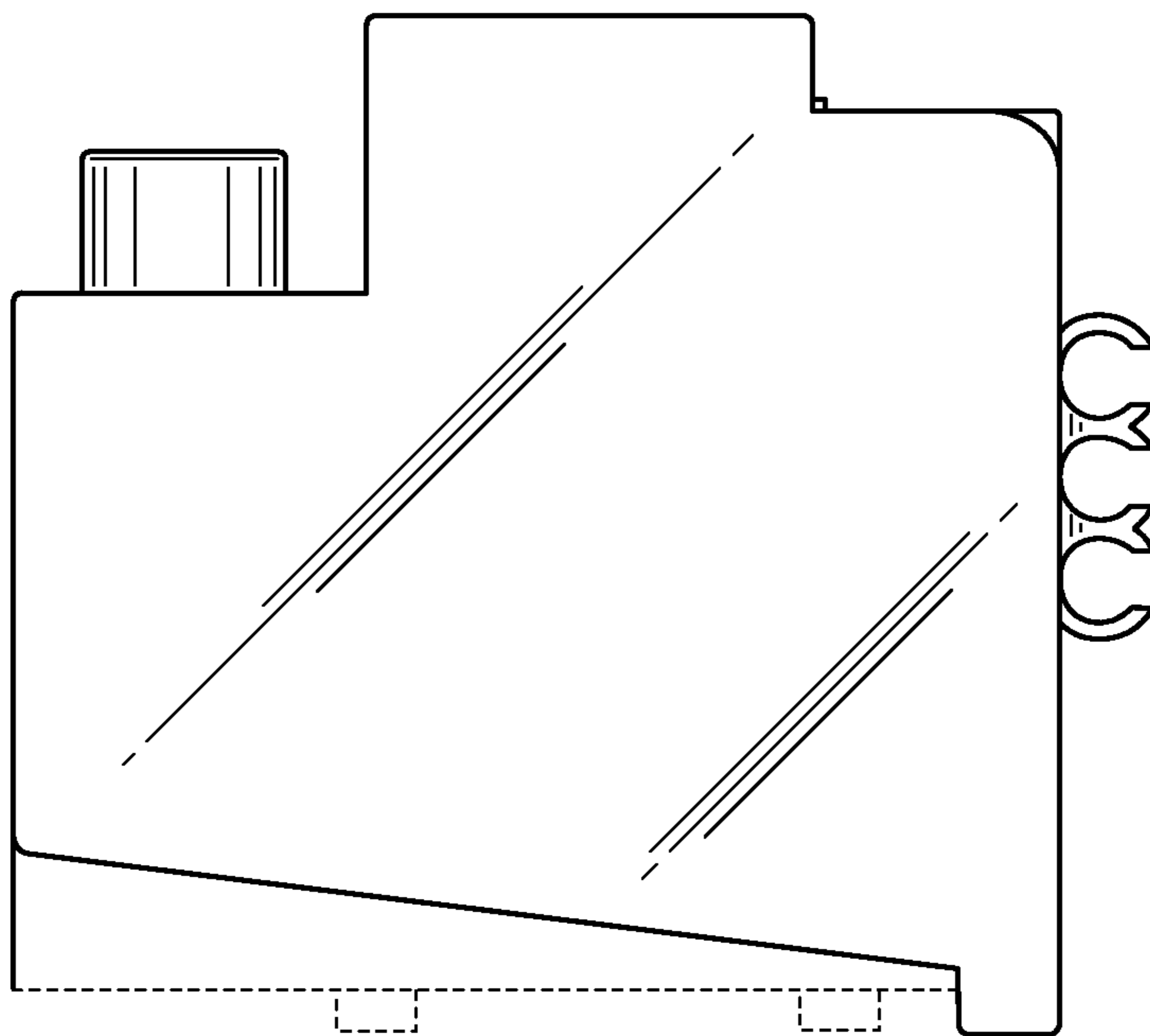


*FIG. 6*





**FIG. 7**



*FIG. 8*

