



US00D780257S

(12) **United States Design Patent**
Kimura et al.

(10) **Patent No.:** **US D780,257 S**

(45) **Date of Patent:** **** Feb. 28, 2017**

(54) **INK TANK FOR PRINTER**

(71) Applicant: **SEIKO EPSON CORPORATION,**
Tokyo (JP)

(72) Inventors: **Naomi Kimura,** Okaya (JP); **Shoma Kudo,** Shiojiri (JP); **Koji Nishimaki,** Matsumoto (JP); **Yoshiyuki Tanaka,** Matsumoto (JP); **Shoichi Ishizawa,** Nagano (JP); **Makoto Omuro,** Matsumoto (JP); **Koji Kawai,** Shiojiri (JP)

(73) Assignee: **SEIKO EPSON CORPORATION,**
Tokyo (JP)

(**) Term: **15 Years**

(21) Appl. No.: **29/543,199**

(22) Filed: **Oct. 21, 2015**

(30) **Foreign Application Priority Data**

Apr. 24, 2015 (JP) 2015-009277

(51) **LOC (10) Cl.** **18-02**

(52) **U.S. Cl.**
USPC **D18/56**

(58) **Field of Classification Search**
USPC D18/56, 12, 40, 43; 347/86
CPC B14J 2/17; B14J 2/1721; B14J 2/175;
B14J 2/17503; B14J 2/175013; B14J
2/1752; B14J 2/17523; B14J
2/17553; B14J 2/17556; B14J
2/185; B14J 29/377

See application file for complete search history.

(56) **References Cited**

U.S. PATENT DOCUMENTS

D351,190 S * 10/1994 Oshima D18/56
D442,219 S * 5/2001 Chou D18/56

D443,639 S * 6/2001 Chou D18/56
D539,340 S * 3/2007 Shibata 347/86
D609,272 S * 2/2010 Lecheheb D18/56
D658,713 S * 5/2012 Miller D18/56
8,926,073 B2 * 1/2015 Shimizu B41J 2/17523
347/85
9,144,985 B2 * 9/2015 Koike B41J 2/175
9,289,999 B2 * 3/2016 Koike B41J 2/17513
9,403,371 B2 * 8/2016 Koike B41J 2/17513
9,415,601 B1 * 8/2016 Tsukida B41J 2/17566
9,421,779 B2 * 8/2016 Mokhamad B41J 2/17509
9,421,781 B2 * 8/2016 Kimura B41J 2/1752
9,427,972 B2 * 8/2016 Kimura B41J 2/1752
9,493,009 B2 * 11/2016 Kimura B41J 2/17526
9,493,010 B2 * 11/2016 Kudo B41J 2/17553

(Continued)

Primary Examiner — Cathron Brooks
Assistant Examiner — Andrew Nemeth

(57) **CLAIM**

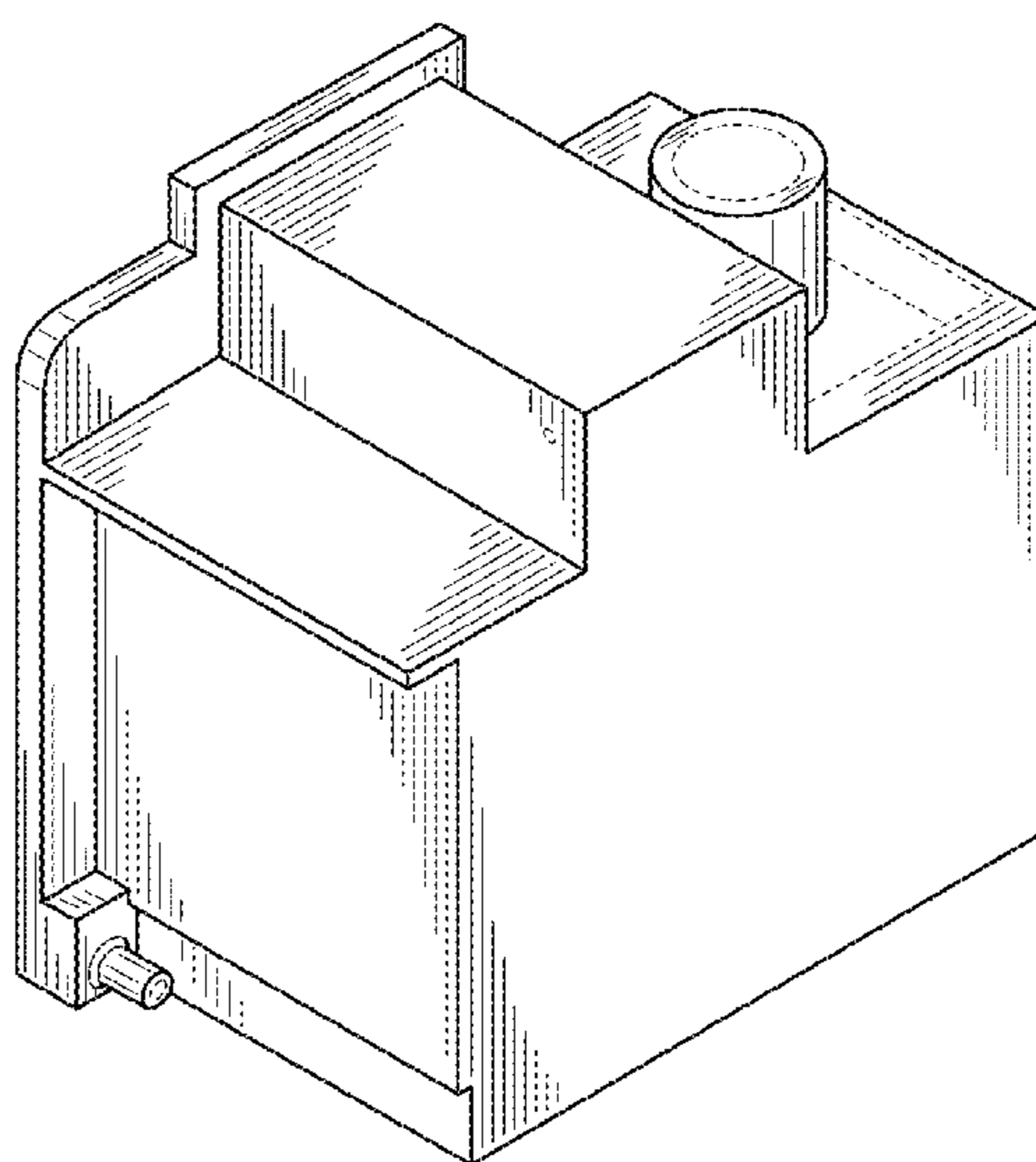
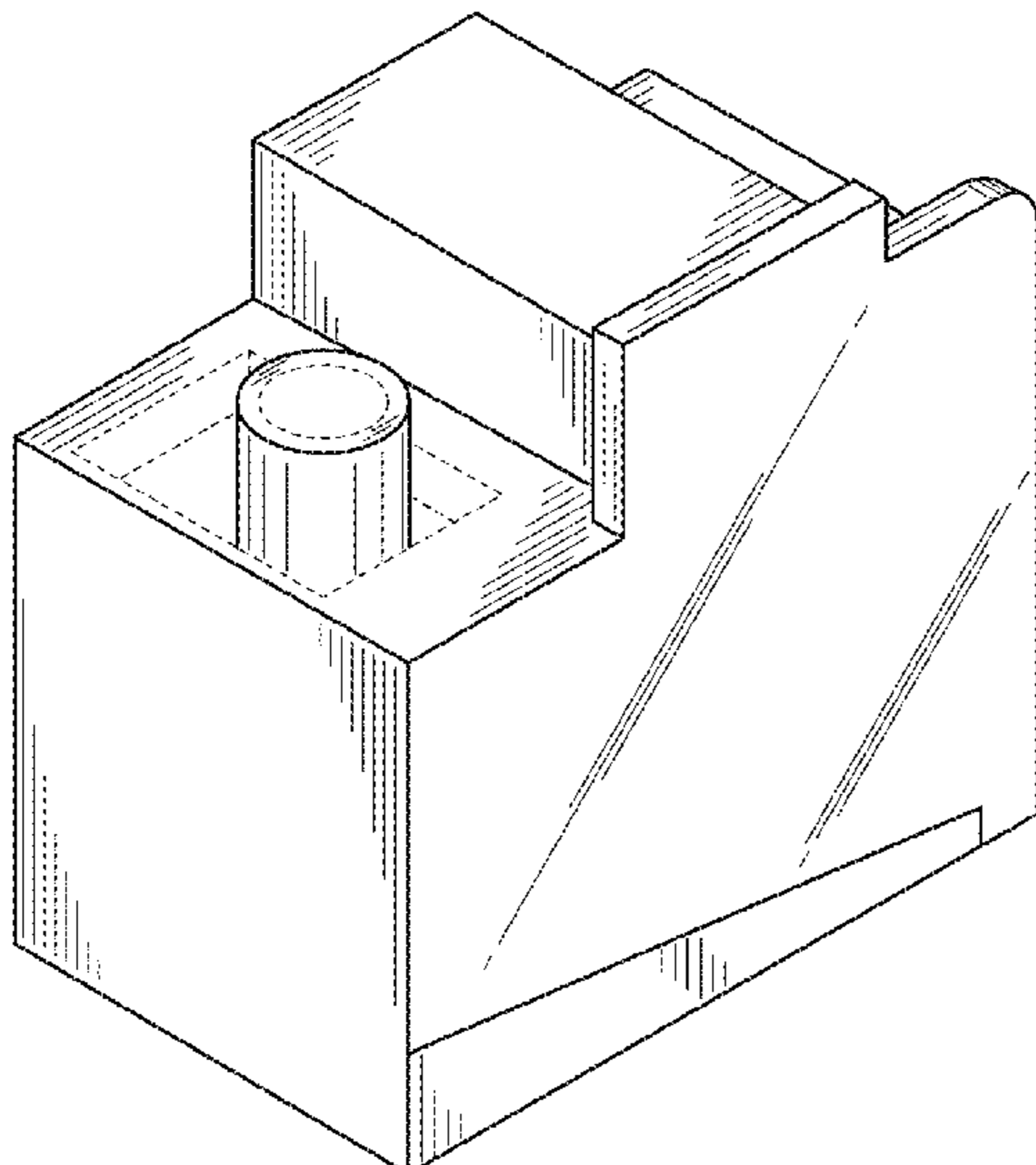
The ornamental design for an ink tank for printer, as shown and described.

DESCRIPTION

FIG. 1 is a front perspective view of an ink tank for printer showing our new design;
FIG. 2 is a rear perspective view thereof;
FIG. 3 is a front view thereof;
FIG. 4 is a rear view thereof;
FIG. 5 is a top plan view thereof;
FIG. 6 is a bottom plan view thereof;
FIG. 7 is a right side view thereof; and,
FIG. 8 is a left side view thereof.

The features shown in broken lines in the drawings depict environmental subject matter only and form no part of the claimed design. The oblique shade lines in FIGS. 1 and 7 are intended to represent translucency.

1 Claim, 8 Drawing Sheets



(56)

References Cited

U.S. PATENT DOCUMENTS

2004/0021751	A1 *	2/2004	Steinmetz	B41J 2/17509	2015/0367648	A1 *	12/2015	Kimura	B41J 2/17509
				347/86					347/86
2004/0090502	A1 *	5/2004	Tham	B41J 2/17513	2016/0009096	A1 *	1/2016	Suzuki	B41J 2/175
				347/86					347/86
2008/0036829	A1 *	2/2008	Nishioka	B41J 2/17513	2016/0009098	A1 *	1/2016	Kimura	B41J 2/17566
				347/86					347/86
2008/0117270	A1 *	5/2008	Koike	B41J 2/17509	2016/0009100	A1 *	1/2016	Kudo	B41J 2/17553
				347/86					347/92
2010/0328405	A1 *	12/2010	Ness	G06K 15/102	2016/0016409	A1 *	1/2016	Kimura	B41J 2/17523
				347/86					347/86
2015/0197095	A1 *	7/2015	Kimura	B41J 2/17523	2016/0052286	A1 *	2/2016	Kimura	B41J 2/17509
				347/85					347/86
2015/0197097	A1 *	7/2015	Kobayashi	B41J 2/17509	2016/0263900	A1 *	9/2016	Kimura	B41J 2/1752
				347/92	2016/0263901	A1 *	9/2016	Kudo	B41J 2/1752
2015/0210081	A1 *	7/2015	Suzuki	B41J 2/175	2016/0263902	A1 *	9/2016	Kimura	B41J 2/1752
				347/86	2016/0263905	A1 *	9/2016	Kimura	B41J 2/17523
2015/0352853	A1 *	12/2015	Kudo	B41J 2/175	2016/0263906	A1 *	9/2016	Kimura	B41J 2/17526
				347/86	2016/0264306	A1 *	9/2016	Nishimaki	B41J 2/1752
					2016/0271962	A1 *	9/2016	Omuro	B41J 2/17553
					2016/0271967	A1 *	9/2016	Kudo	B41J 2/19
					2016/0279957	A1 *	9/2016	Kudo	B41J 2/17523

* cited by examiner

FIG. 1

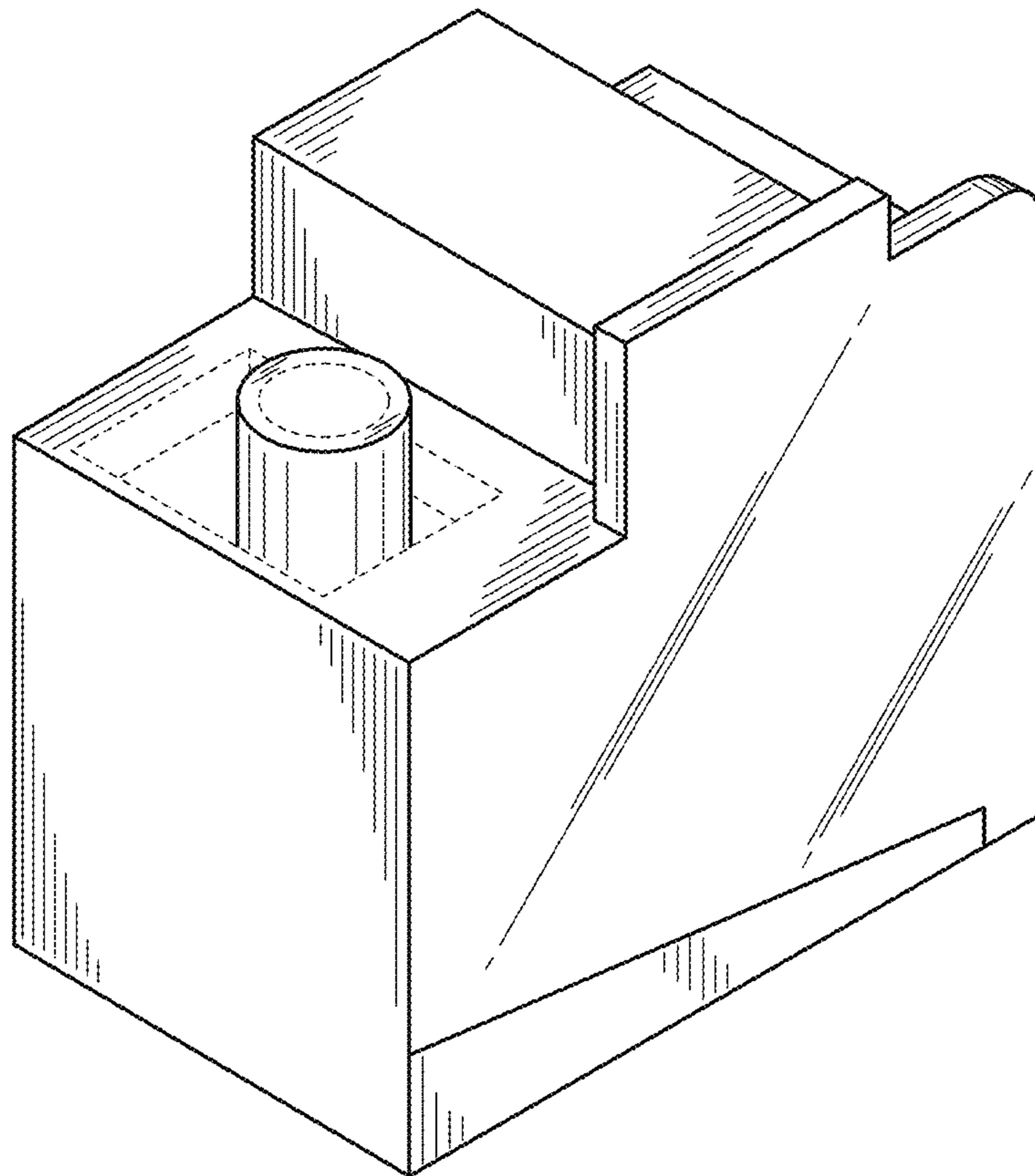


FIG. 2

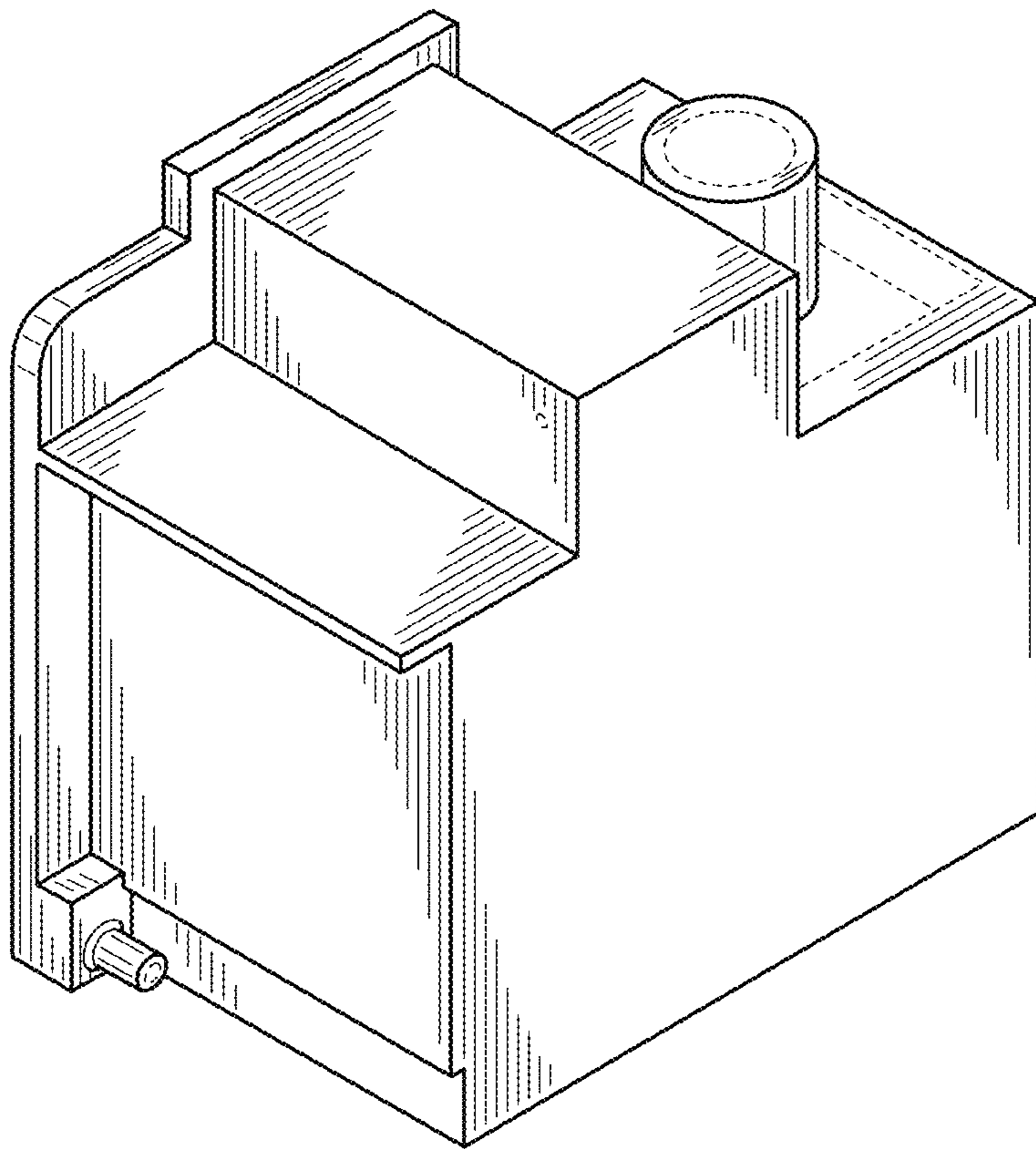


FIG. 3

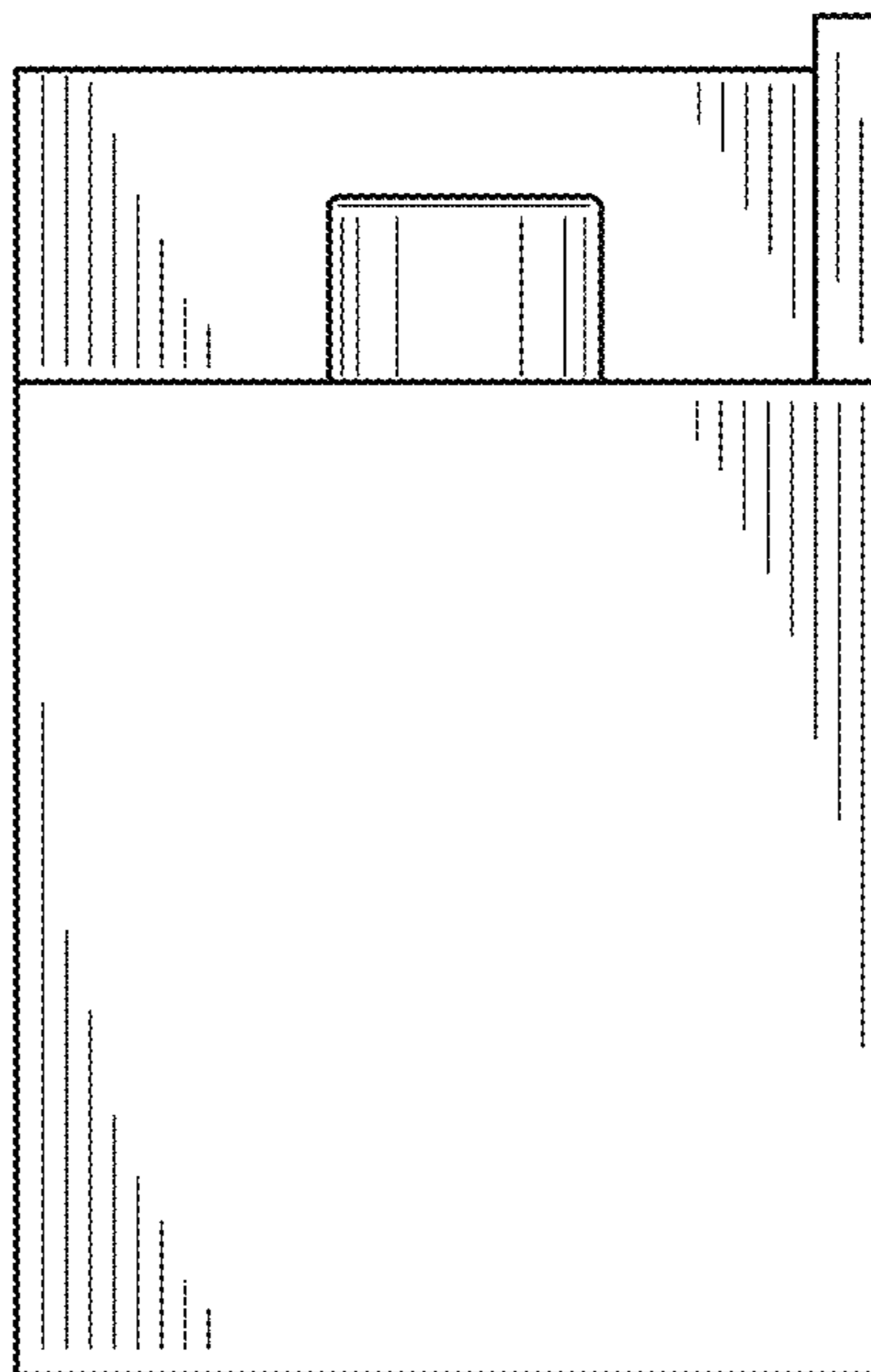


FIG. 4

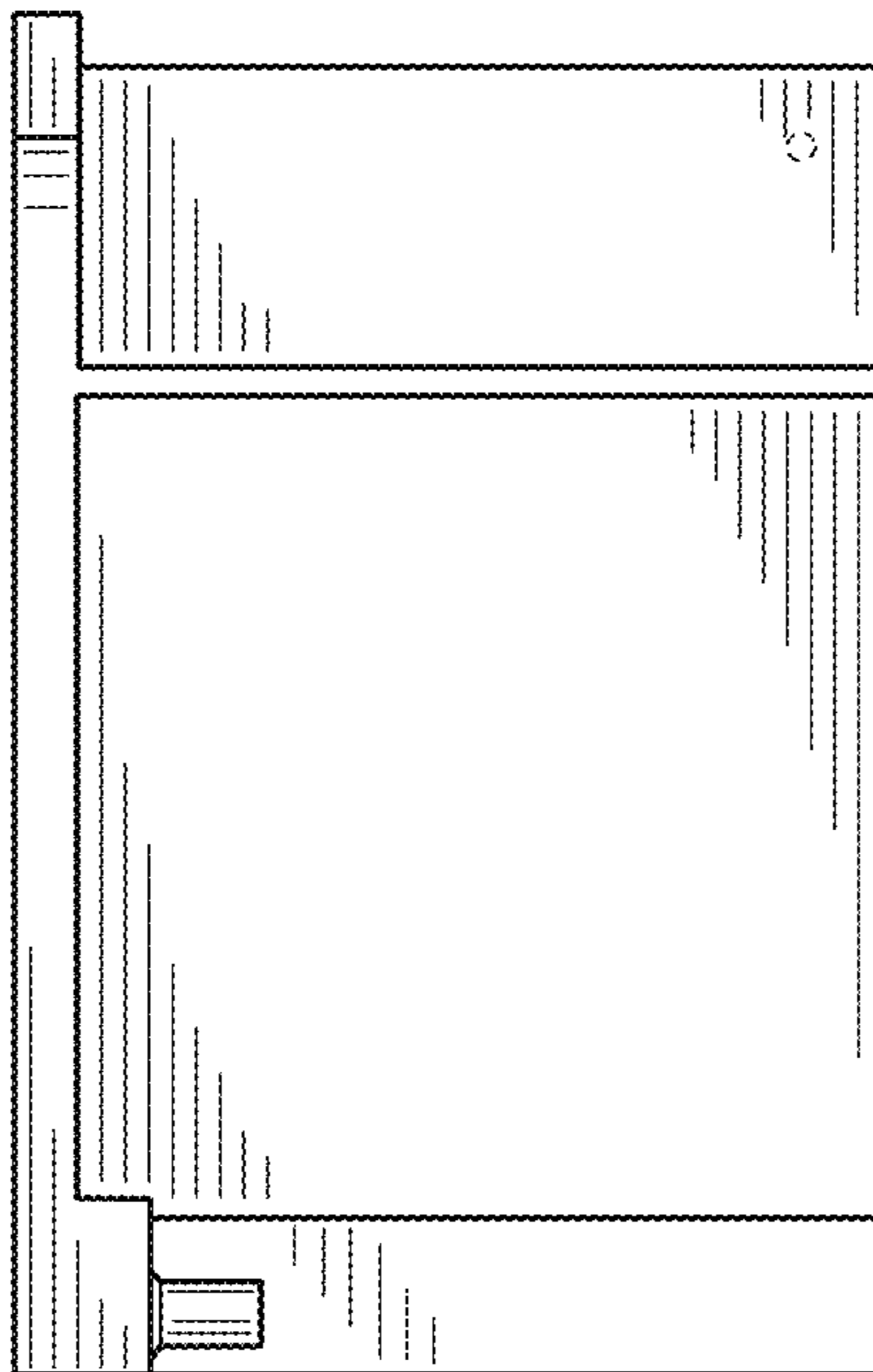


FIG. 5

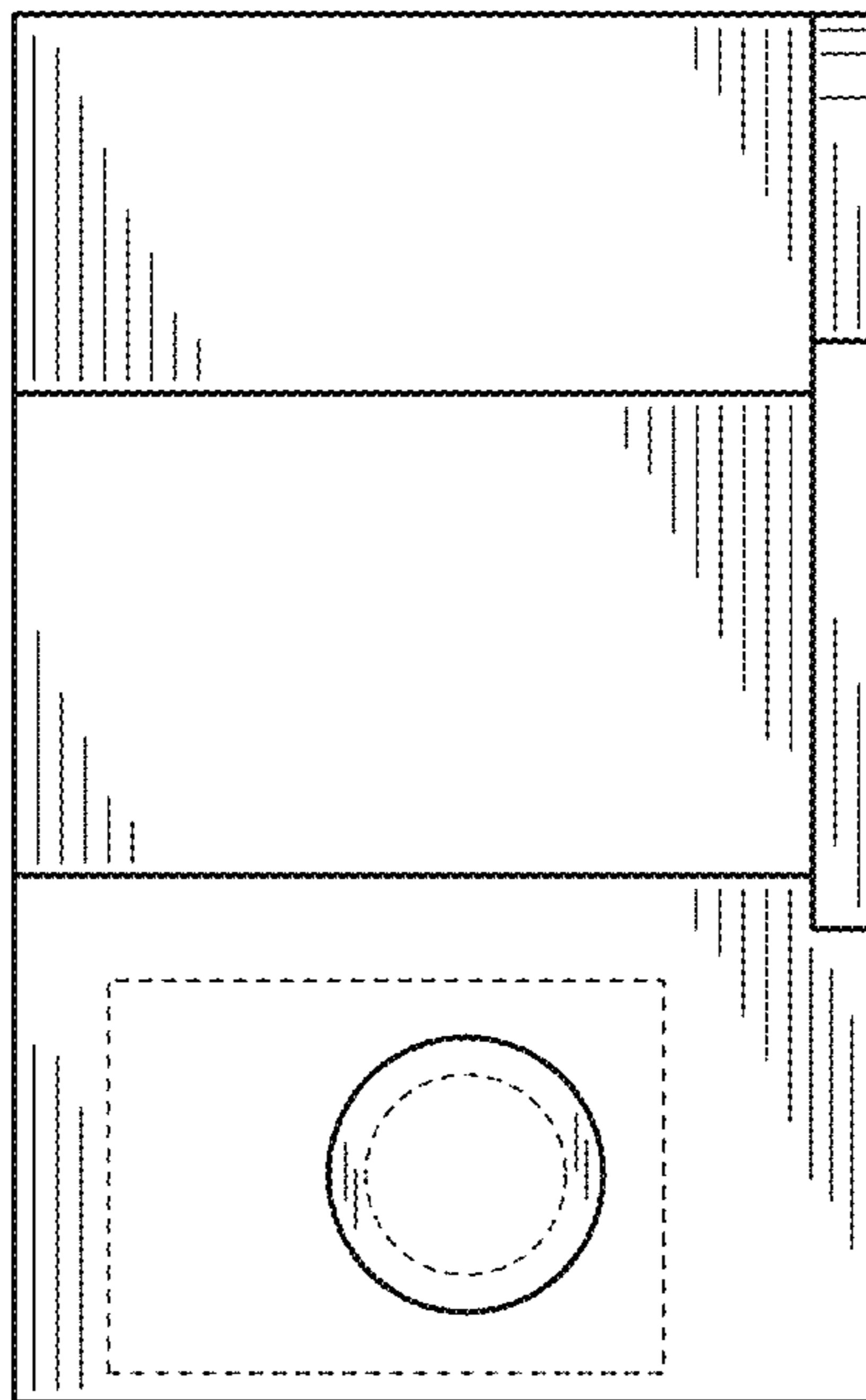


FIG. 6

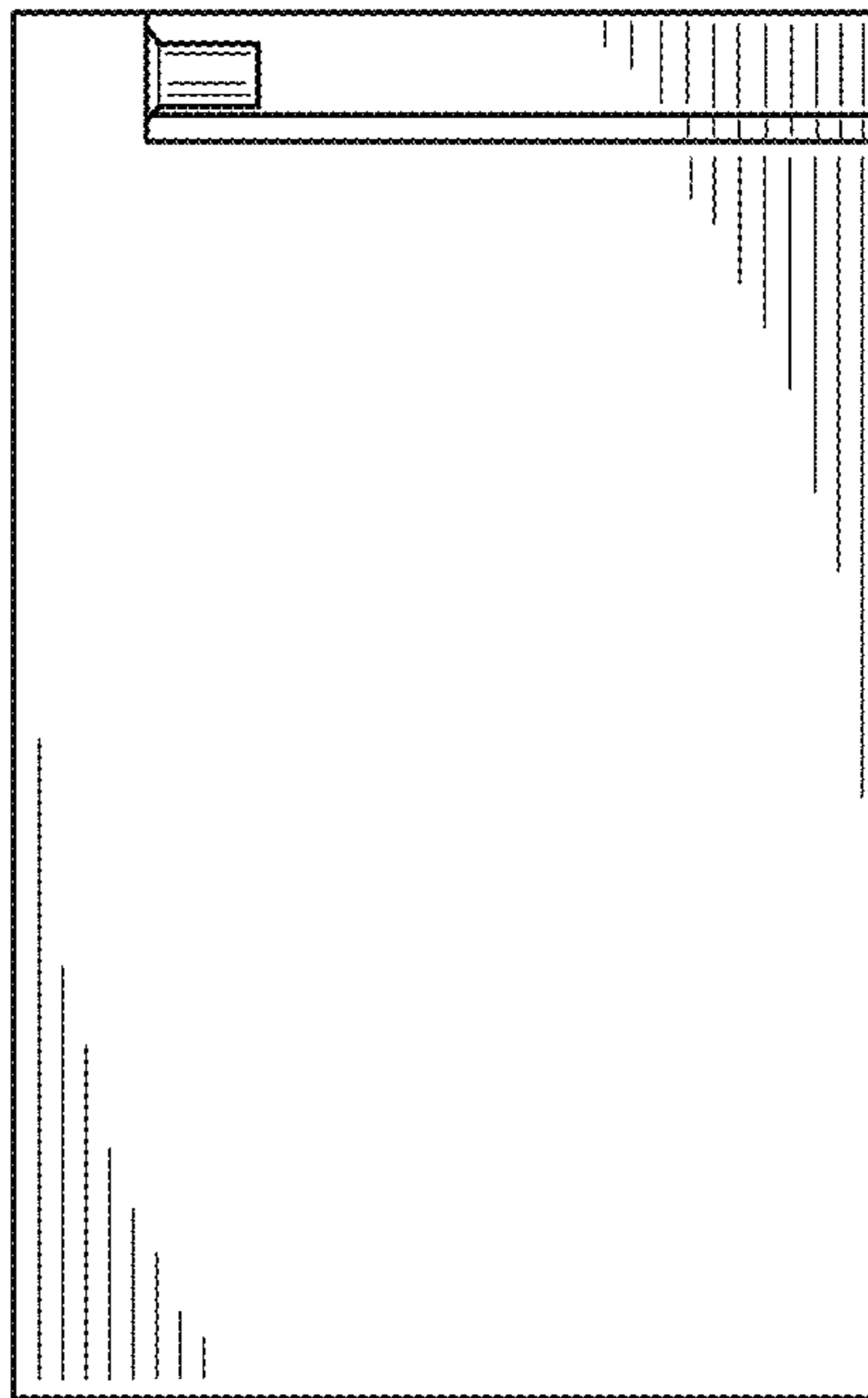


FIG. 7

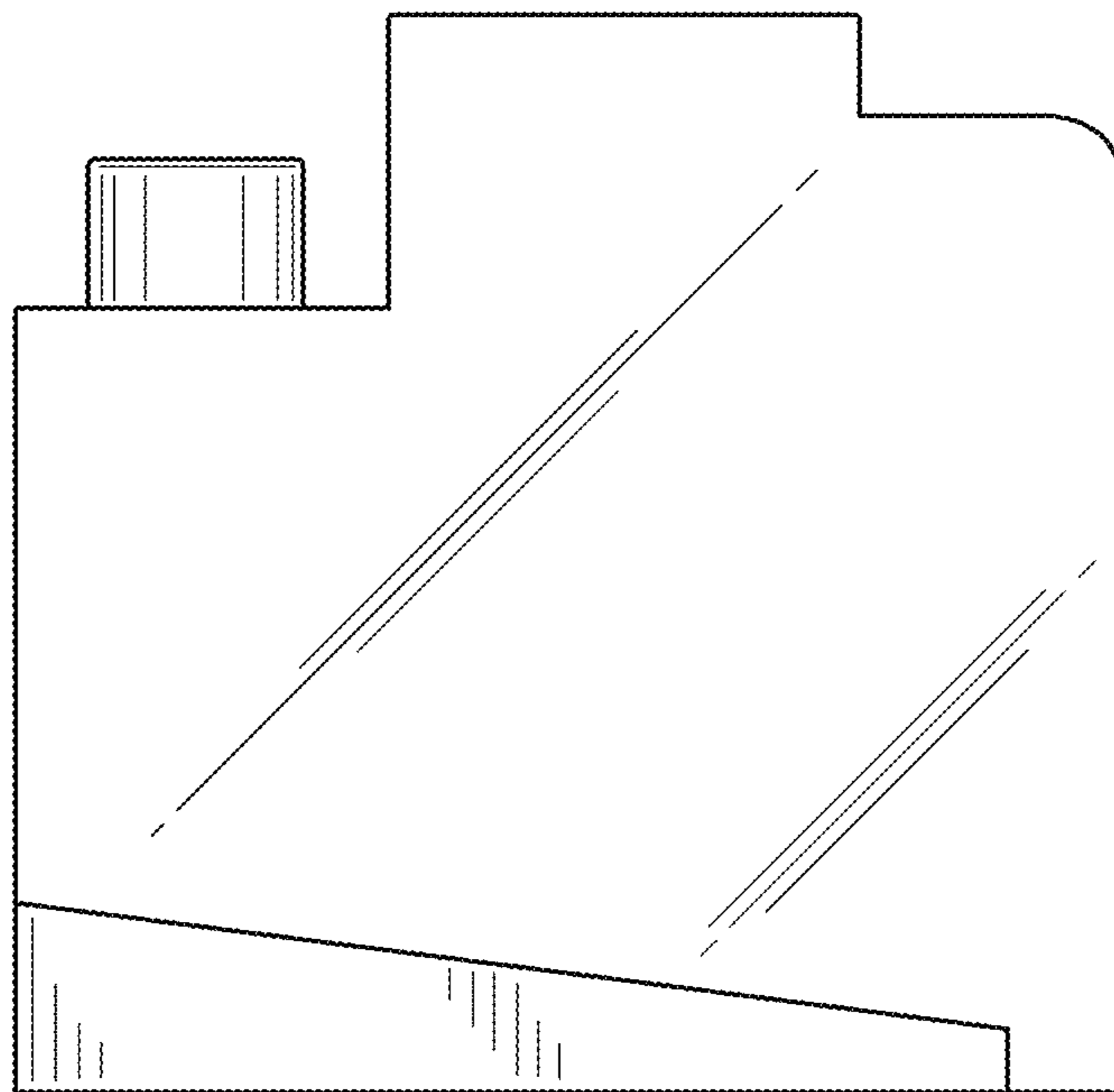


FIG. 8

