



US00D780249S

(12) **United States Design Patent**
Ramsthaler

(10) **Patent No.:** **US D780,249 S**

(45) **Date of Patent:** **** Feb. 28, 2017**

(54) **MOUTHPIECE MOUNT**
(71) Applicant: **Steven D. Ramsthaler**, San Diego, CA (US)
(72) Inventor: **Steven D. Ramsthaler**, San Diego, CA (US)
(**) Term: **15 Years**

(21) Appl. No.: **29/532,682**
(22) Filed: **Jul. 9, 2015**
(51) **LOC (10) Cl.** **16-05**
(52) **U.S. Cl.**
USPC **D16/242**
(58) **Field of Classification Search**
USPC D16/135, 206, 219, 235, 237-245, 250;
D14/251, 253; D8/107, 303, 354, 355,
D8/356, 363, 367, 373, 380, 383, 387,
D8/394, 396; D24/110, 110.1, 110.4,
D24/110.5, 127, 164, 180, 181
CPC G03B 17/56; G03B 17/561-17/568;
G02B 7/00-7/002; H04N 5/2253-5/2254;
F16M 11/04-11/12
See application file for complete search history.

(56) **References Cited**
U.S. PATENT DOCUMENTS
D303,440 S * 9/1989 Campbell D24/110.5
D395,083 S * 6/1998 Forman D24/110.5
D713,531 S * 9/2014 Way D24/181
D719,266 S * 12/2014 Goldstein D24/180
D746,990 S * 1/2016 Goldstein D24/180
D759,147 S * 6/2016 Harrison D16/242
D765,255 S * 8/2016 Levine D24/181
9,426,341 B1 * 8/2016 Baldrige F16M 11/00

2015/0076184 A1* 3/2015 Achenbach G03B 17/561
224/181
2015/0253651 A1* 9/2015 Russell G03B 17/561
224/181
2015/0309396 A1* 10/2015 Rohrer G03B 17/561
224/181
2015/0316205 A1* 11/2015 Bennett F16M 13/04
224/181
2016/0266474 A1* 9/2016 Russell F16M 13/04

OTHER PUBLICATIONS

Mouthpiece Mount by GoSurf Accessories by steve ramsthaler. [online] Retrieved Sep. 27, 2016 from URL: <<https://www.kickstarter.com/projects/678492917/gosurfaccessoriesmouthpiecemount/updates>>.*

(Continued)

Primary Examiner — Vy Koenig
(74) *Attorney, Agent, or Firm* — Gary L. Eastman, Esq.; Eastman & McCartney LLP

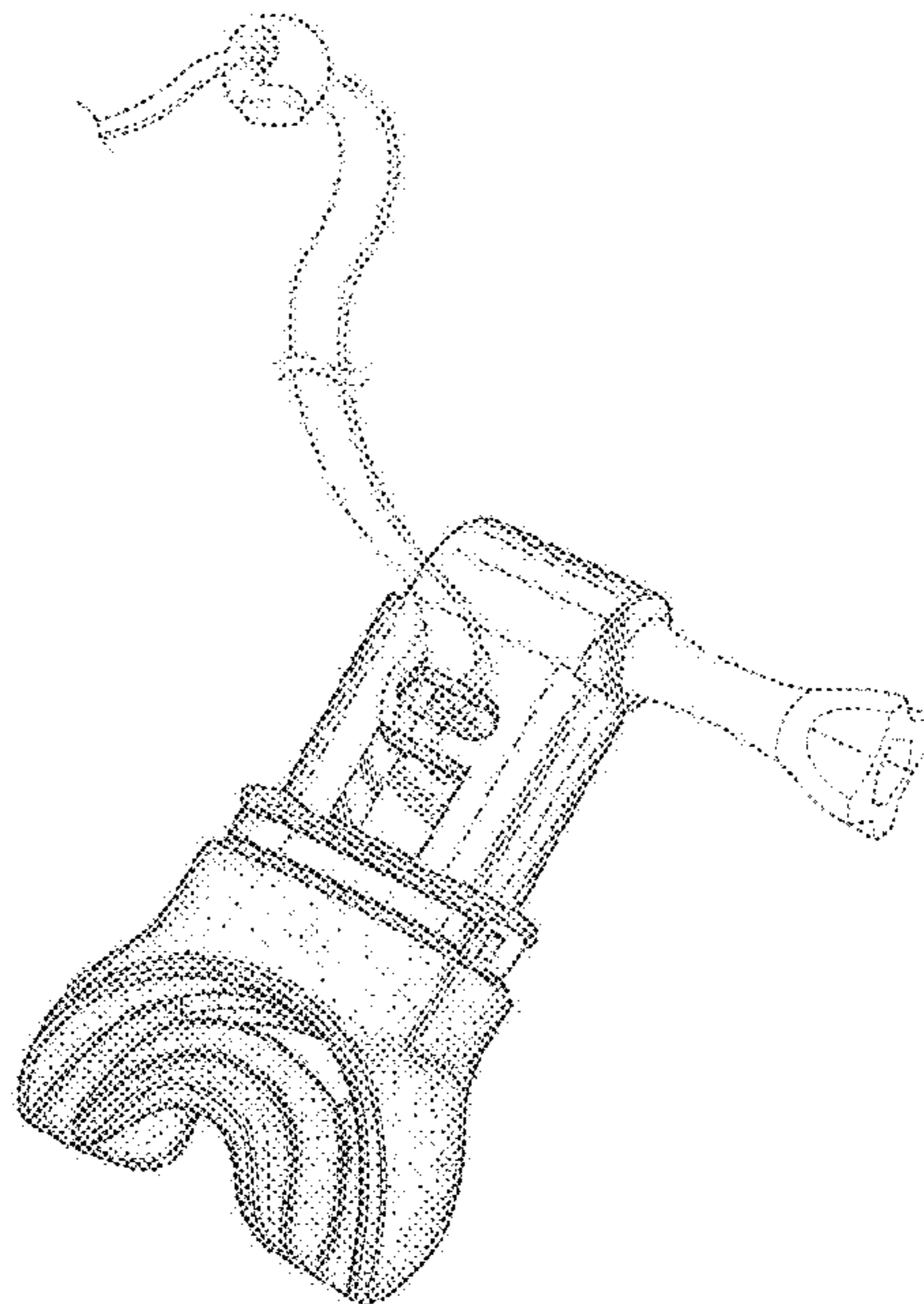
(57) **CLAIM**

The ornamental design for a mouthpiece mount, as shown and described.

DESCRIPTION

FIG. 1 is a front perspective view of the mouthpiece mount; FIG. 2 is a back perspective view of the mouthpiece mount; FIG. 3 is a back view of the mouthpiece mount; FIG. 4 is a front view of the mouthpiece mount; FIG. 5 is a left view of the mouthpiece mount; FIG. 6 is a right view of the mouthpiece mount; FIG. 7 is a top view of the mouthpiece mount; and, FIG. 8 is a bottom view of the mouthpiece mount. The broken lines in the drawings depict environmental features that form no part of the claimed design.

1 Claim, 5 Drawing Sheets



(56)

References Cited

OTHER PUBLICATIONS

Products with Purpose: GoSurf Accessories Mouthpiece Mount for GoPro. [online] Published Sep. 24, 2014 from URL: <<http://www.firststandmonday.com/productswithpurposegosurfaccessoriesmouthpiecemountforgopro/>>.*

TELESIN Surfing Skating Shoot Dummy Bite Mouthpiece Holder Mouth Mount Adapter+Floaty+Neck Lanyard for GoPro Hero 4/3+/3/2/1. [online] Retrieved Sep. 27, 2016 from URL: <https://www.aliexpress.com/store/product/TELESIN-Surfing-Skating-Shoot-Dummy-Bite-Mouthpiece-Holder-Mouth-Mount-Adapter-Floaty-Neck-Lanyard-For-GoPro/630476_32660039611.html>.*

SP-Gadgets Mouth Mount for GoPro. [online] Retrieved Sep. 27, 2016 from URL: <https://www.bhphotovideo.com/c/product/1135089-REG/sp_gadgets_53161_sp_mouth_mount.html>.*

* cited by examiner

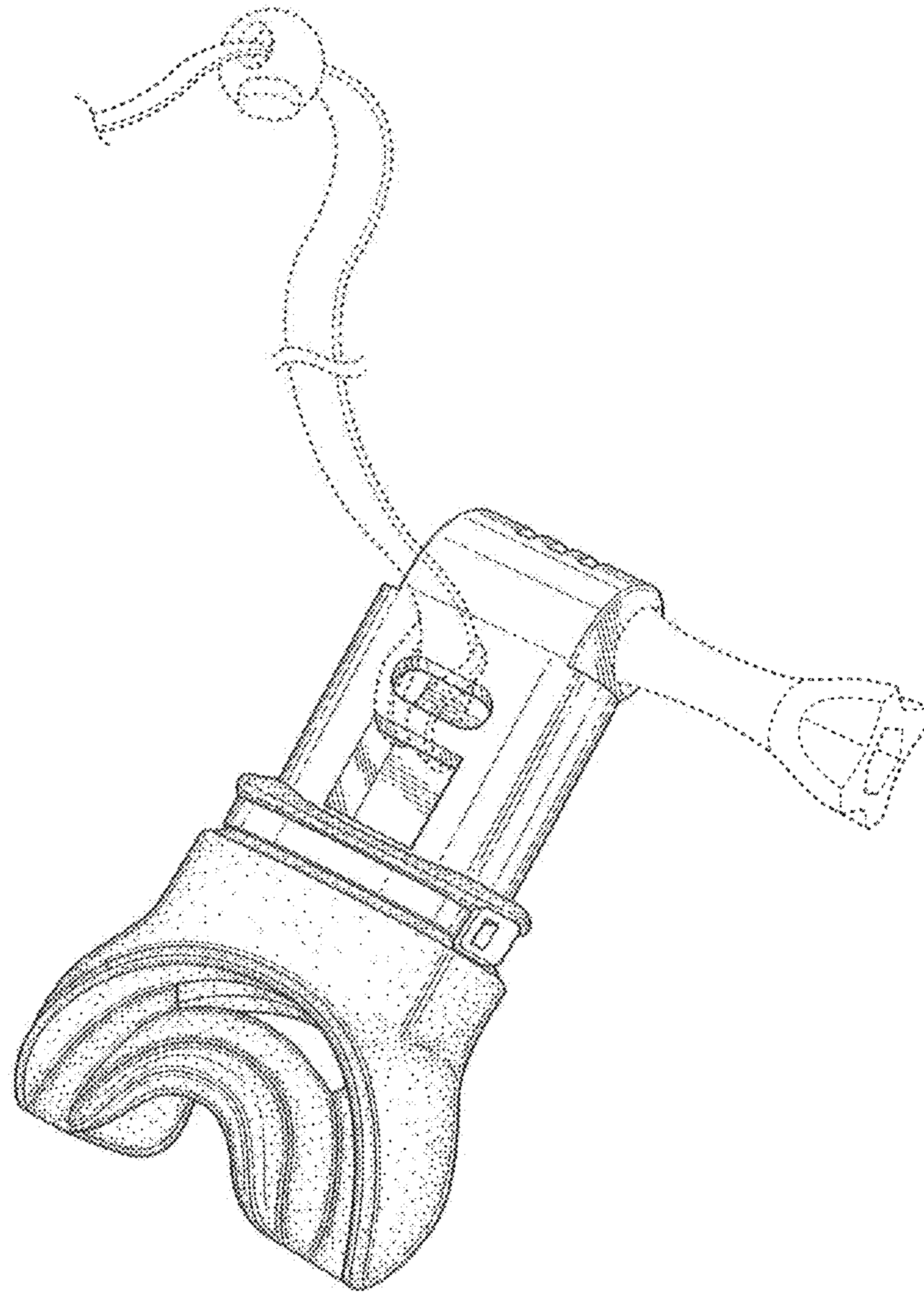


FIG. 1

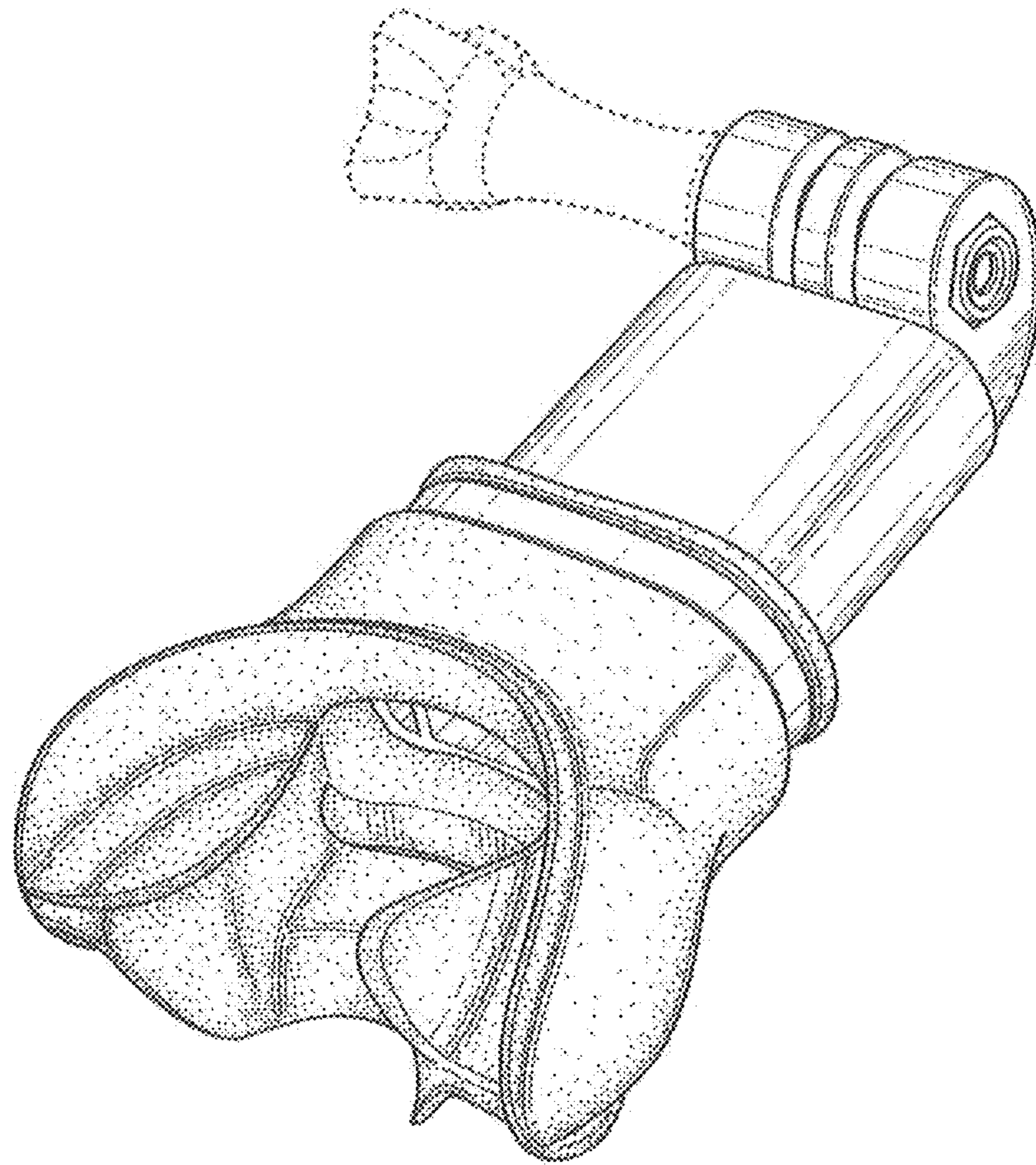


FIG. 2

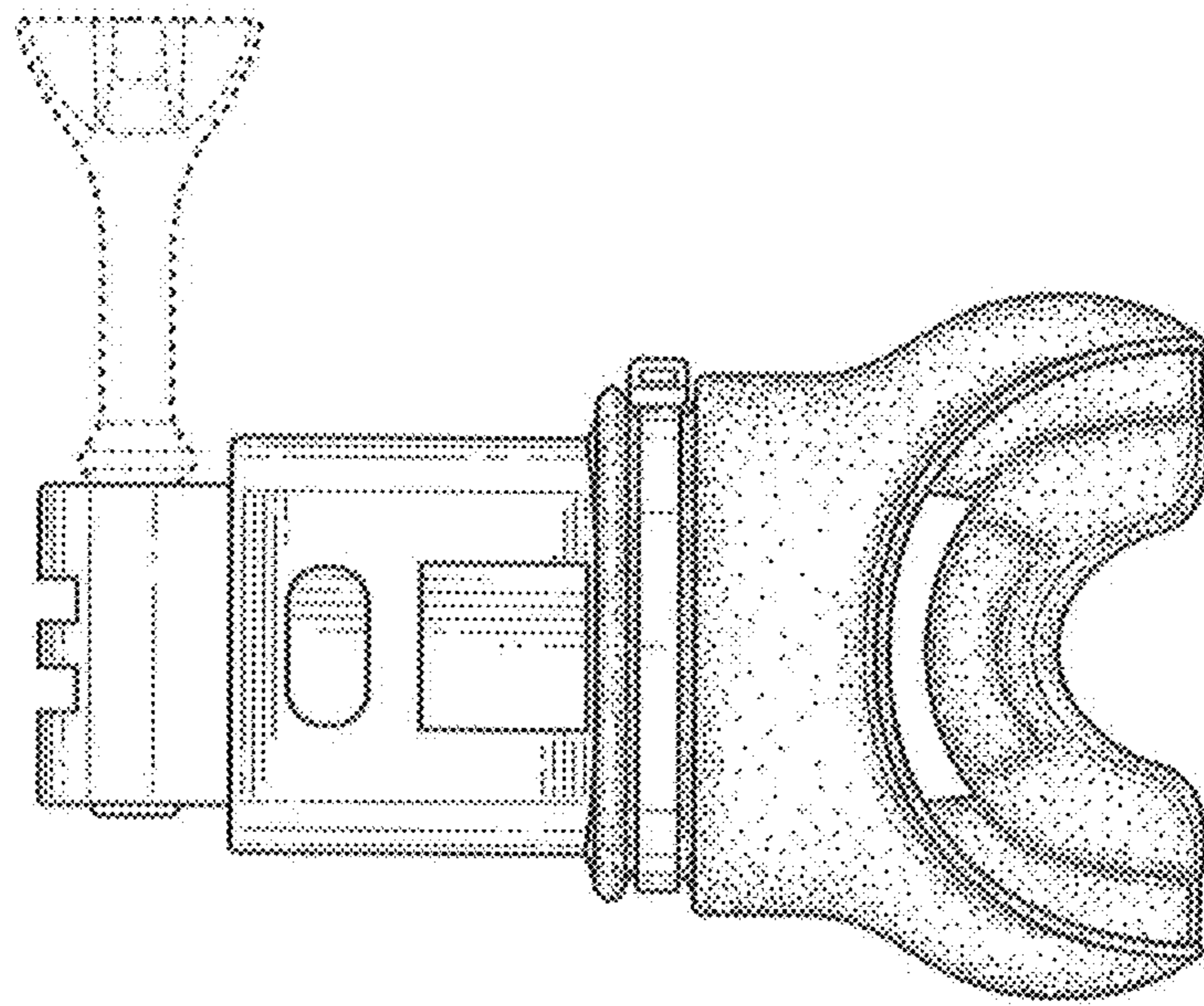


FIG. 4

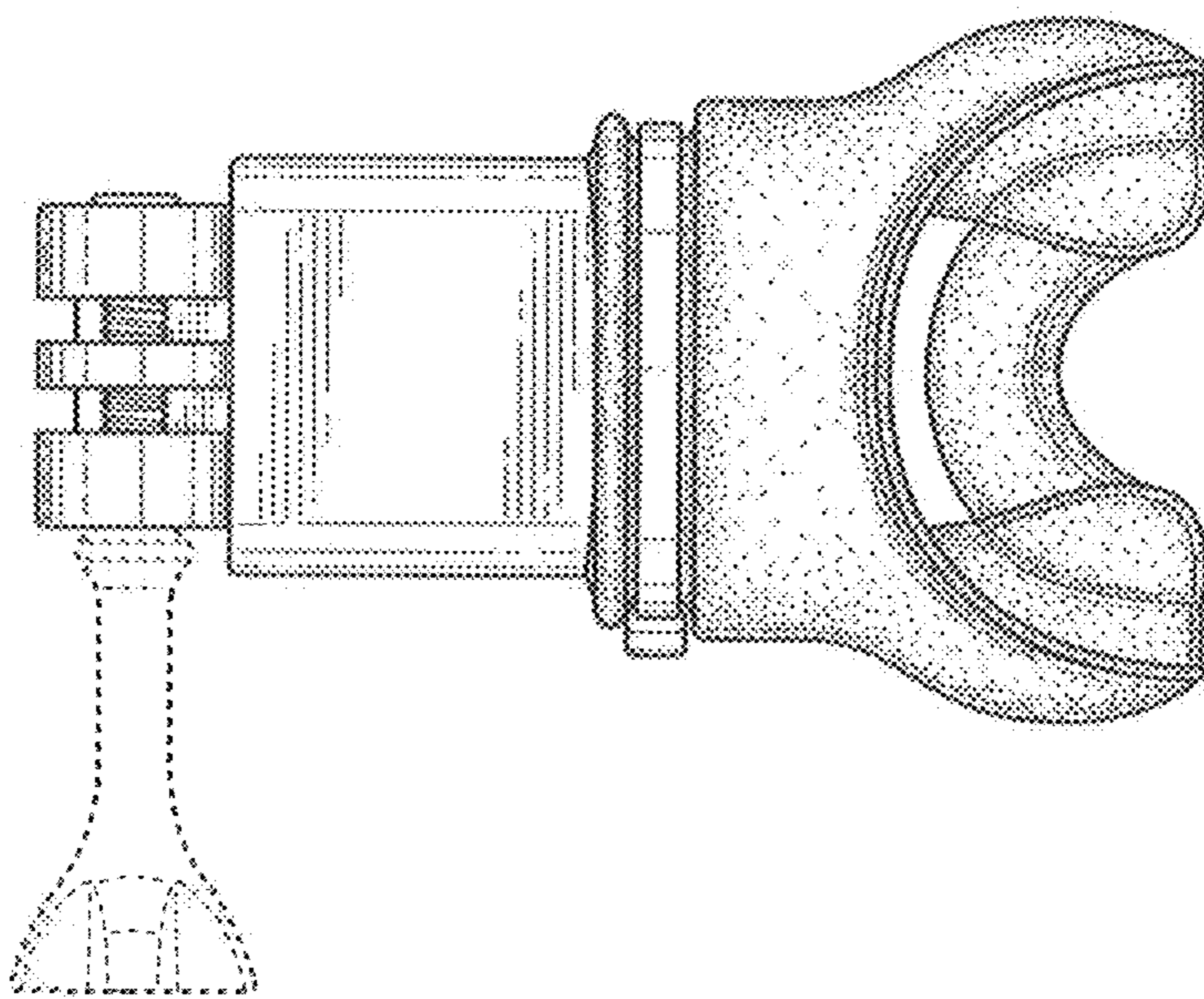


FIG. 3

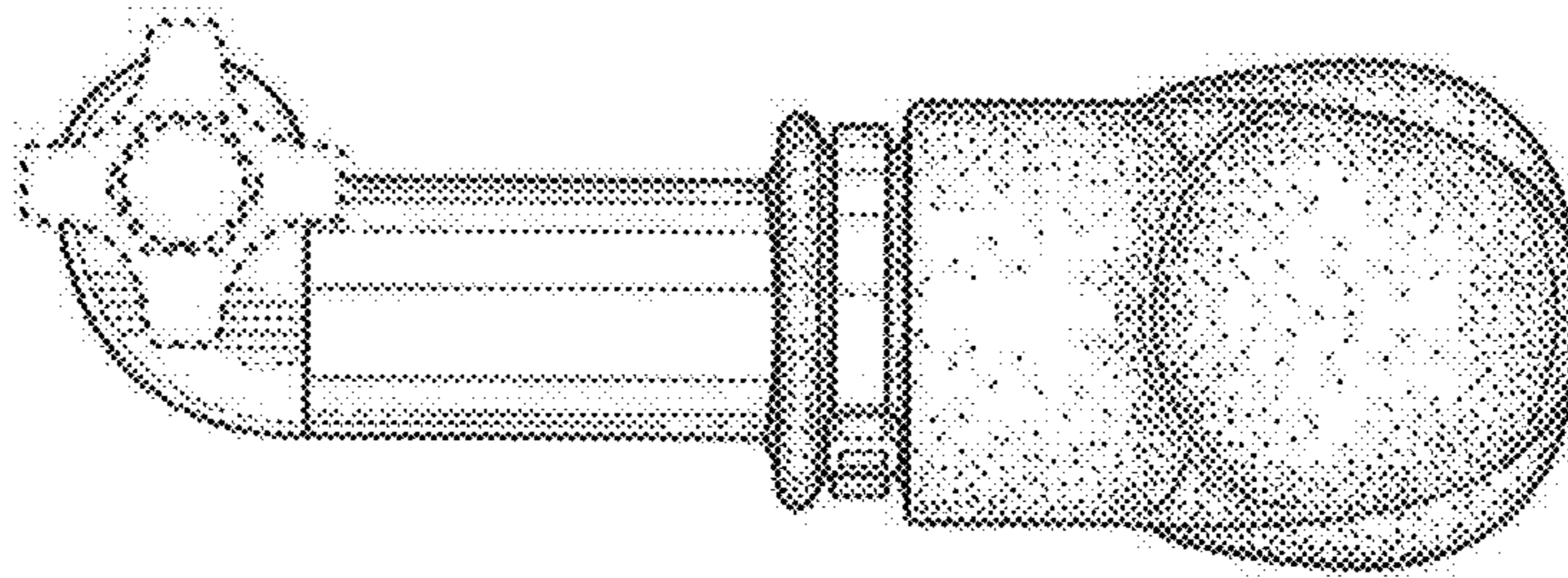


FIG. 6

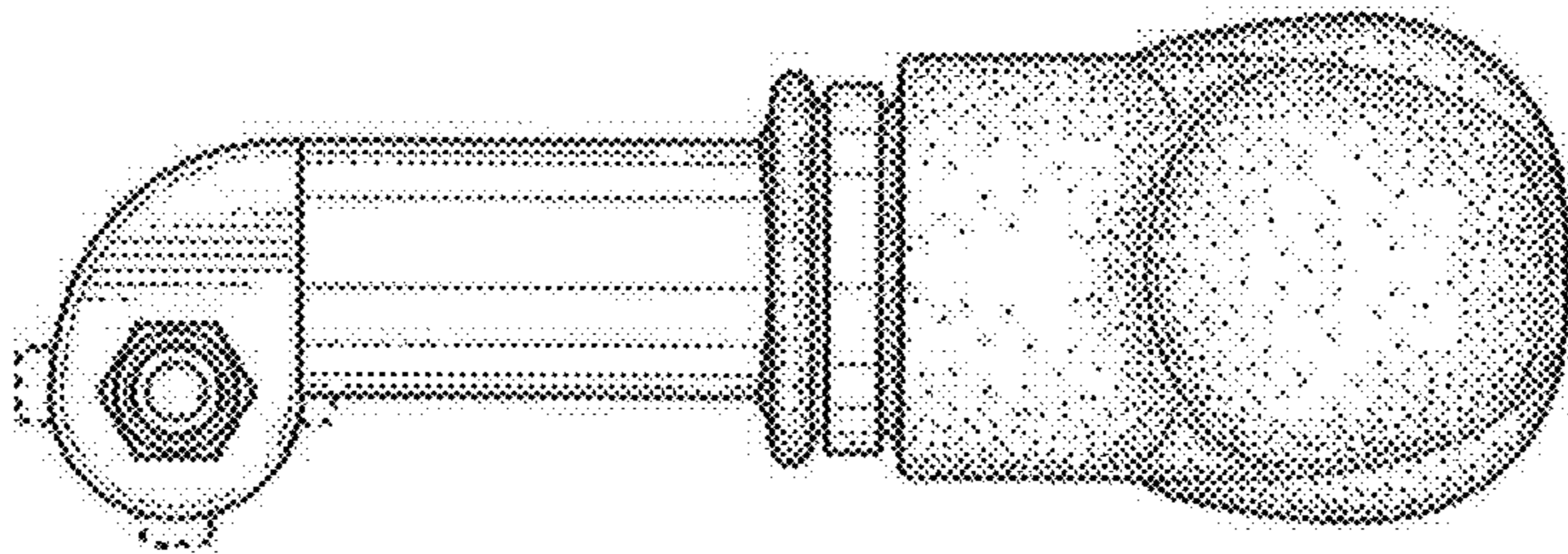


FIG. 5

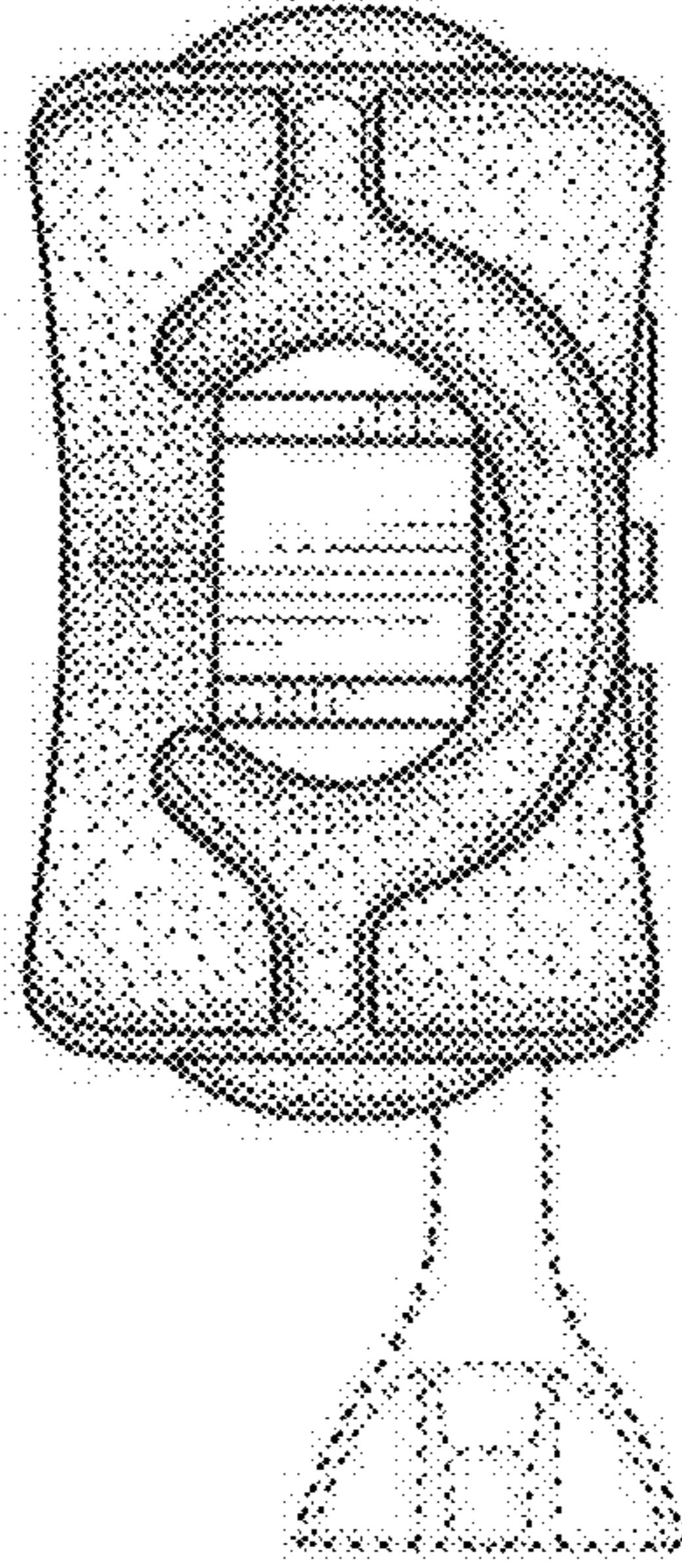


FIG. 8

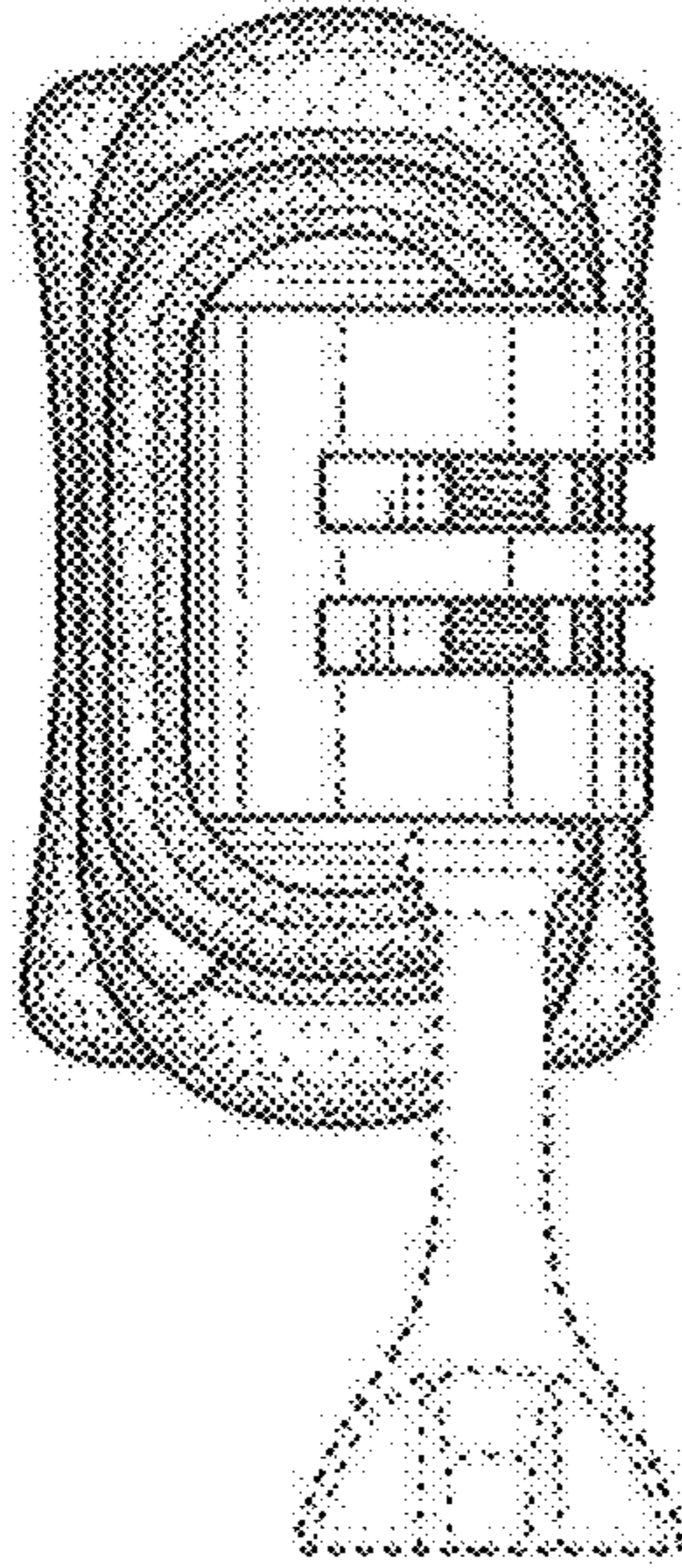


FIG. 7