



US00D780248S

(12) **United States Design Patent** (10) **Patent No.:** **US D780,248 S**  
**Anari, III et al.** (45) **Date of Patent:** **\*\* Feb. 28, 2017**

(54) **EXTENDING CAMERA SUPPORT**

FOREIGN PATENT DOCUMENTS

(71) Applicants: **Anthony F. Anari, III**, Sussex, NJ (US); **Ryan Paul Vosburg**, Riverdale, NJ (US); **Russell Van Zile, III**, Riverdale, NJ (US)

DE 102008014385 A1 9/2009  
EM 002084897-0019 \* 8/2012  
(Continued)

(72) Inventors: **Anthony F. Anari, III**, Sussex, NJ (US); **Ryan Paul Vosburg**, Riverdale, NJ (US); **Russell Van Zile, III**, Riverdale, NJ (US)

OTHER PUBLICATIONS

<https://www.advexure.com/store/gopole-evo/> Retrieved May 3, 2016.\*

(Continued)

(73) Assignee: **AR2 PRODUCTS LLC**, Pompton Plains, NJ (US)

*Primary Examiner* — Susan Bennett Hattan  
*Assistant Examiner* — Leanne Was-Englehart  
(74) *Attorney, Agent, or Firm* — Day Pitney LLP

(\*\*) Term: **14 Years**

(57) **CLAIM**

We claim the ornamental design for an extending camera support, as shown and described above.

(21) Appl. No.: **29/513,969**

**DESCRIPTION**

(22) Filed: **Jan. 7, 2015**

(51) **LOC (10) Cl.** ..... **16-05**

(52) **U.S. Cl.**  
USPC ..... **D16/242**

(58) **Field of Classification Search**  
USPC ..... D8/349, 355, 376; D14/140.6, 217, 218, D14/238.1, 250-253, 434, 447, 496; D16/214, 218-220, 237, 242-245, 250; 224/185, 200; 248/127, 158, 161, 176.1, 248/177.1, 187.1, 415, 538;

FIG. 1 is a front perspective view of the present invention, an extending camera support with an attached camera shown in broken line;

FIG. 2 is a front elevational view of the extending camera support seen in FIG. 1;

FIG. 3 is a rear elevational view of the extending camera support seen in FIG. 1;

FIG. 4 is a right side elevational view of the extending camera support seen in FIG. 1;

FIG. 5 is a left side elevational view of the extending camera support seen in FIG. 1;

FIG. 6 is a top plan view of the extending camera support seen in FIG. 1; and,

FIG. 7 is a bottom plan view of the extending camera support seen in FIG. 1.

The broken lines in each of the figures are for environmental purposes only and form no part of the claimed design.

(Continued)

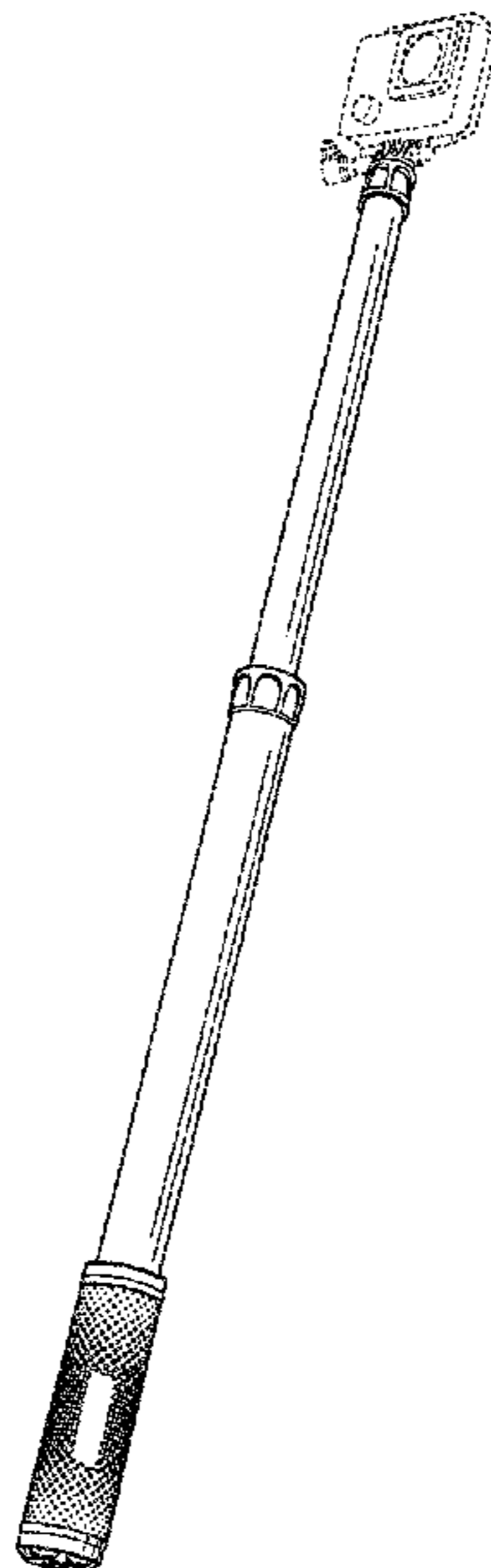
(56) **References Cited**

U.S. PATENT DOCUMENTS

150,189 A 4/1874 Reid  
D150,189 S 4/1874 Reid  
D52,489 S 8/1918 Palmer

(Continued)

**1 Claim, 4 Drawing Sheets**



(58) **Field of Classification Search**

USPC ..... 348/373–376; 352/242, 243;  
396/419–422, 425, 428  
CPC ... G03B 15/041–15/0436; G03B 17/00; G03B  
17/561–17/568; G03B 21/20–21/2066;  
F16M 11/10; F16M 11/14; F16M 11/18;  
F16M 11/26; F16M 11/28; F16M 11/38;  
F16M 11/041; F16M 13/00; F16M 13/04  
See application file for complete search history.

(56) **References Cited**

U.S. PATENT DOCUMENTS

2,429,803 A 10/1947 Cardona  
2,543,352 A 2/1951 Brown  
2,617,142 A 11/1952 Cadwell et al.  
2,962,251 A 11/1960 Karpf  
3,128,982 A 4/1964 Christopher  
D209,201 S 11/1967 Betts  
D222,118 S 9/1971 Nakatani  
3,894,648 A 7/1975 Croullebois  
3,970,274 A 7/1976 Resk  
D246,095 S 10/1977 Eby et al.  
D251,181 S 2/1979 Angleman et al.  
4,155,453 A 5/1979 Ono  
4,225,105 A 9/1980 Nakamura  
D257,259 S \* 10/1980 Shiraishi ..... D16/244  
4,324,502 A 4/1982 Pickles  
4,545,660 A 10/1985 Rudolf  
4,966,279 A 10/1990 Percy  
D320,995 S 10/1991 Fukuda et al.  
D345,905 S 4/1994 Hallgren  
D366,005 S 1/1996 Beyer-Olsen  
D382,286 S \* 8/1997 Doran ..... 224/908  
D386,510 S 11/1997 Peterson  
5,768,645 A 6/1998 Kessler  
D396,809 S 8/1998 Granai  
5,937,473 A 8/1999 Lisowski  
6,007,259 A 12/1999 Mori  
6,293,449 B1 9/2001 McGuire et al.  
D452,549 S 12/2001 Inda  
D511,980 S 11/2005 McFarland et al.  
D512,894 S 12/2005 Nimphius  
D520,849 S 5/2006 Mentasti  
7,217,044 B1 \* 5/2007 Marks, Jr. .... F16M 11/06  
348/376  
D543,829 S 6/2007 Berti  
D546,865 S 7/2007 Rietveld  
D554,465 S 11/2007 Laurienzo  
D580,474 S 11/2008 Lee  
D584,864 S 1/2009 Matthews  
D589,773 S 4/2009 Finochiaro  
D590,867 S 4/2009 Schenone  
D592,235 S 5/2009 Bryant et al.  
7,684,694 B2 3/2010 Fromm  
7,706,673 B1 \* 4/2010 Staudinger ..... F16M 11/06  
348/211.2  
D616,524 S 5/2010 Haroian  
D621,259 S 8/2010 Joy et al.  
D626,420 S 11/2010 Mondon  
D630,239 S 1/2011 Huguley  
D637,816 S 5/2011 Nitkin  
D644,072 S 8/2011 McDonald et al.  
8,037,711 B1 10/2011 Mesaros et al.  
D678,386 S 3/2013 Huguley  
D678,387 S \* 3/2013 Stump ..... D16/244  
8,413,936 B2 4/2013 Wang  
D691,418 S 10/2013 Minton et al.  
D701,554 S 3/2014 Huguley  
D707,560 S 6/2014 Wallace et al.  
D715,791 S \* 10/2014 Yu ..... D14/253  
9,004,783 B1 4/2015 Woodman et al.  
D730,429 S 5/2015 Anari  
9,101,818 B2 8/2015 Carr  
D737,972 S 9/2015 Chen  
9,170,473 B1 10/2015 Li

9,179,763 B2 11/2015 Anari  
D747,399 S \* 1/2016 Stump ..... D16/243  
2002/0141812 A1 \* 10/2002 Edelen ..... F16B 7/14  
403/109.1  
2003/0201371 A1 10/2003 Zadok  
2004/0223752 A1 11/2004 Ghanouni et al.  
2006/0257137 A1 \* 11/2006 Fromm ..... F16M 11/18  
396/420  
2007/0053680 A1 \* 3/2007 Fromm ..... F16M 11/14  
396/420  
2007/0261978 A1 11/2007 Sanderson  
2007/0263084 A1 11/2007 Misawa et al.  
2007/0268371 A1 11/2007 Misawa et al.  
2008/0117328 A1 \* 5/2008 Daoud ..... F16M 11/10  
348/373  
2009/0057257 A1 3/2009 Marcus et al.  
2010/0024441 A1 2/2010 Yeung  
2010/0200710 A1 8/2010 Shenouda  
2011/0042530 A1 2/2011 Phillips  
2012/0000908 A1 1/2012 So  
2012/0020656 A1 1/2012 Farmer  
2012/0315813 A1 12/2012 Rossini  
2013/0176412 A1 \* 7/2013 Chen ..... H04N 7/183  
348/77  
2013/0287386 A1 \* 10/2013 Xu ..... F16M 11/041  
396/428  
2014/0037281 A1 2/2014 Carney  
2014/0105589 A1 4/2014 Samuels  
2014/0273678 A1 9/2014 Meyer  
2015/0003820 A1 1/2015 Li  
2015/0107055 A1 4/2015 Anari  
2015/0108777 A1 \* 4/2015 Anari, III ..... F16M 11/00  
294/139  
2015/0316837 A1 \* 11/2015 Maltese ..... F16M 13/04  
294/139  
2015/0346589 A1 \* 12/2015 Dering ..... G03B 17/561  
396/428  
2016/0091130 A1 3/2016 Thompson  
2016/0091139 A1 \* 3/2016 Levine ..... G03B 17/38  
294/139

FOREIGN PATENT DOCUMENTS

JP 2009229835 A 10/2009  
JP 2009229835 A 10/2009

OTHER PUBLICATIONS

USPTO Non-Final Office Action in related U.S. Appl. No. 14/936,327, Feb. 23, 2016.  
GoPro Tripod Mount. Datasheet [online]. Digital Camera Warehouse, Mar. 13, 2011 [retrieved on Feb. 28, 2014]. Retrieved from the Internet: <URL: <http://www.digitalcamerawarehouse.com.au/prod7088.htm>>.  
Go-Pole—A sneak peak of the new GoPole floating handle!, Facebook, Mar. 16, 2011. URL:<[https://www.facebook.com/gopolemounds/photos/o.50043151918/158592247532767/?type . . .](https://www.facebook.com/gopolemounds/photos/o.50043151918/158592247532767/?type...)>.  
Go-Pole The Bobber—GoPro Tip #238, uploaded on May 29, 2011. URL: <https://www.youtube.com/watch?v=5cjR280TYk>.  
Go-PoleThe Bobber—GoPro Tip #238, May 29, 2011. URL:<[http://zaynlagu.xyz/download/gopole-the-bobber-gopro-tip-238-35636a665232384f54596 . . .](http://zaynlagu.xyz/download/gopole-the-bobber-gopro-tip-238-35636a665232384f54596...)>.  
Go-Pole The Bobber for GoPro Hero HD Camera, uploaded on Jun. 17, 2011. URL: <https://www.youtube.com/watch?v=5cjR280TYk>.  
Why GoPole Bobber? Go Pro Tip #269, Jul. 22, 2011. URL:<<https://www.youtube.com/watch?v=6Rqdf7PF1x8>>.  
Ulbrich. Acessorio para cameras GoPro garante que seu dispositivo nao afunde na agua. Digerati, Rock and a hard place [online], May 30, 2012, [retrieved on Feb. 28, 2014]. Retrieved from the Internet <URL:<http://henrique.geek.com.br/posts/19587-acessorio-para-cameras-gopro-garante-que-seu-dispositivo-nao-afunde-na-agua>>; p. 3 (Unavailable).



(56)

**References Cited**

## OTHER PUBLICATIONS

TheGoPole. Grenade Grip by GoPole—Compact Hand Grip for GoPro Cameras. YouTube [online], Jun. 15, 2012, [retrieved on Feb. 28, 2014]. <URL: <http://www.youtube.com/watch?v=nudlcToCwNY>>.

GoPole, Mounts & Accessories for GoPro® Cameras, 2013. URL: <https://web.archive.org/web/20130708163624/http://www.gopole.com/catatog/products>.

GoPole Reach,—GoPro Telescoping Extension Pole, Jan. 21, 2013. URL: <http://www.gopole.com/product/gopole-reach> . . .

GoPole Evo, Apr. 5, 2013. URL: <<http://www.gopole.com/product/gopole-evo> . . . >.

Tripod Head. Wikipedia [online], Jan. 20, 2014. [retrieved on Feb. 28, 2014]. Retrieved from the Internet <URL: [http://en.wikipedia.org/wiki/Tripod\\_head](http://en.wikipedia.org/wiki/Tripod_head)>.

International Search Report issued in related international application PCT/US2013/000242, Mar. 13, 2014.

International Preliminary Report on Patentability with Written Opinion issued in related international application PCT/US2013/000242, Mar. 13, 2014.

New and Improved Versatile Mounts and Accessories, Posted Jul. 23, 2014 URL: <<https://www.gopole.com/news/gopole-releases-new-and-improved-versatile-mounts-and-accessories-to-expand-the-capability-of-gopro-cameras>>.

GoPole Grenade Grip—Compact Hand Grip for GoPro Cameras, Posted Sep. 10, 2014 URL: <<https://www.youtube.com/watch?v=GgGpp5fu56c>>.

Waterproof Camera Reviews, Sandmarc Extension Pole, posted Sep. 14, 2014. URL: <[http://www.bestwaterproofcamera.info/sandmarc\\_pole\\_black\\_edition\\_review/](http://www.bestwaterproofcamera.info/sandmarc_pole_black_edition_review/)>.

GoPole Reach—14-40" Extension Pole for GoProCameras, posted Oct. 16, 2014 URL: <<https://www.youtube.com/watch?v=0EuwXgFc0v0>>.

USPTO Non-Final Office Action in related U.S. Appl. No. 13/998,324, Feb. 25, 2015.

USPTO Non-Final Office Action in related U.S. Appl. No. 13/998,325, Mar. 3, 2015.

Bobber. Floating Hand Grip. [online] Retrieved Mar. 9, 2015 URL: <<https://shop.gopole.com/products/bobber>>.

POV Buoy Floating Camera Handle—GoPro Edition. [online] Retrieved Mar. 9, 2015. URL: <<http://goprowoa.com/product/pov-buoy-floating-camera-handle-gopro-edition/>>.

USPTO Non-Final Office Action in related U.S. Appl. No. 29/463,605, Mar. 16, 2015.

USPTO Non-Final Office Action in related U.S. Appl. No. 14/678,193, Jun. 4, 2015.

USPTO Final Office Action in related U.S. Appl. No. 13/998,324, Jun. 12, 2015.

USPTO Final Office Action in related U.S. Appl. No. 14/678,193, Dec. 4, 2015.

USPTO Non-Final Office Action in related U.S. Appl. No. 14/883,083, Dec. 22, 2015.

GoPole Reach—Telescoping Extension Pole, retrieved May 3, 2016. URL: <<https://www.advexure.com/store/gopole-reach>>.

Gopole, Reach, 14-40" Extension Pole, retrieved May 3, 2016. URL: <<https://shop.gopole.com/products/reach>>.

GoPole Evo—Floating Extension Pole, retrieved May 3, 2016. URL: <https://www.advexure.com/store/gopole-evo/>.

USPTO Non-Final Office Action in related U.S. Appl. No. 29/513,953, May 25, 2016.

USPTO Non-Final Office Action in related U.S. Appl. No. 29/513,969, Jun. 14, 2016.

Notice of Allowance and Fees due in related U.S. Appl. No. 29/527,956, Jun. 17, 2016.

USPTO Non-Final Office Action in related U.S. Appl. No. 29/513,965, Jun. 22, 2016.

USPTO Final Office Action in related U.S. Appl. No. 14/883,083, Jun. 29, 2016.

USPTO Notice of Allowance, in related U.S. Appl. No. 29/541,491, Jul. 26, 2016.

\* cited by examiner

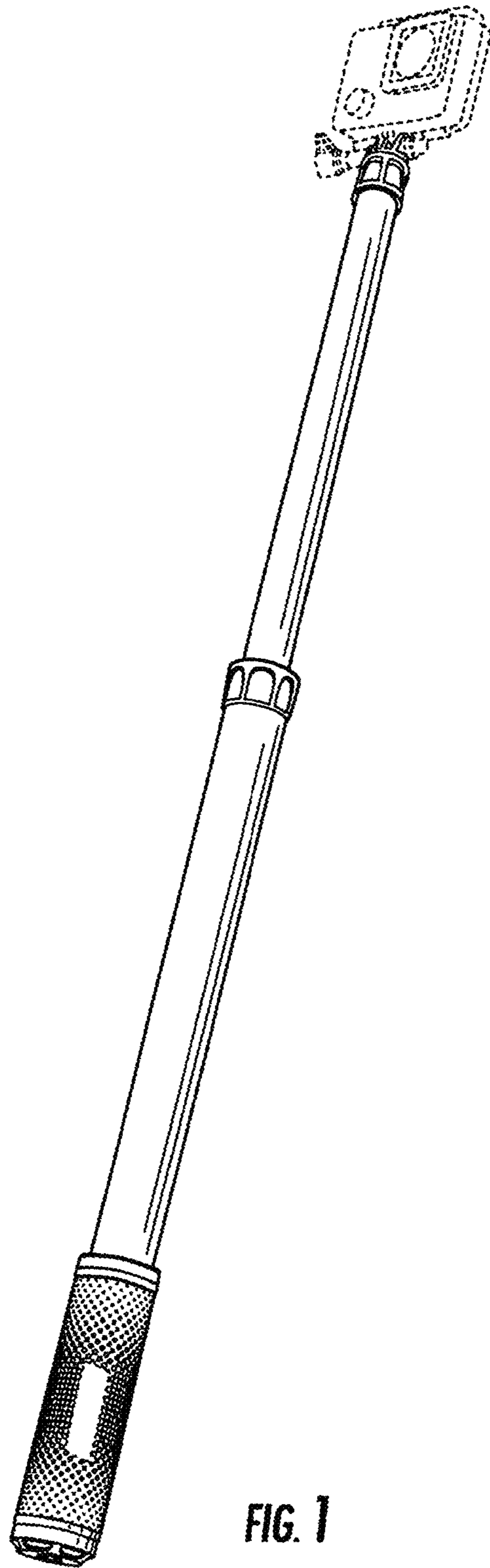
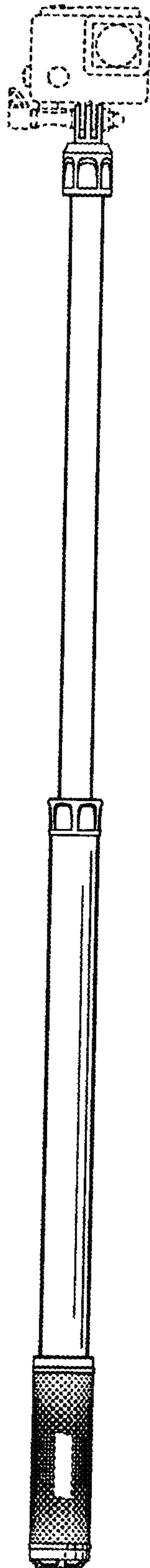
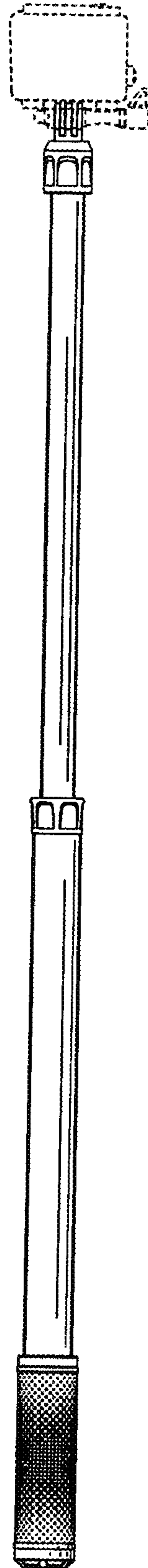


FIG. 1



**FIG. 2**



**FIG. 3**

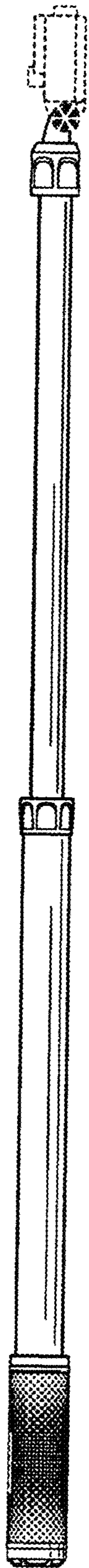


FIG. 4

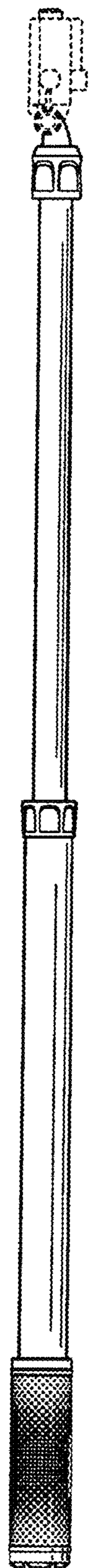
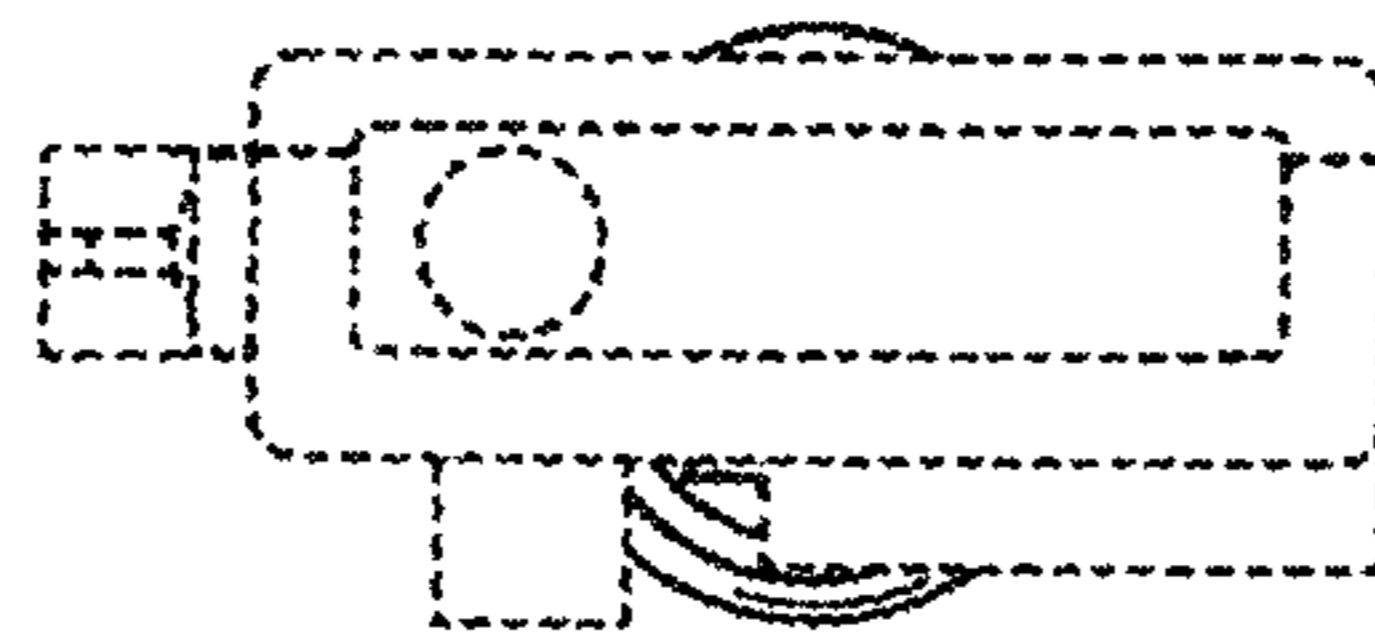
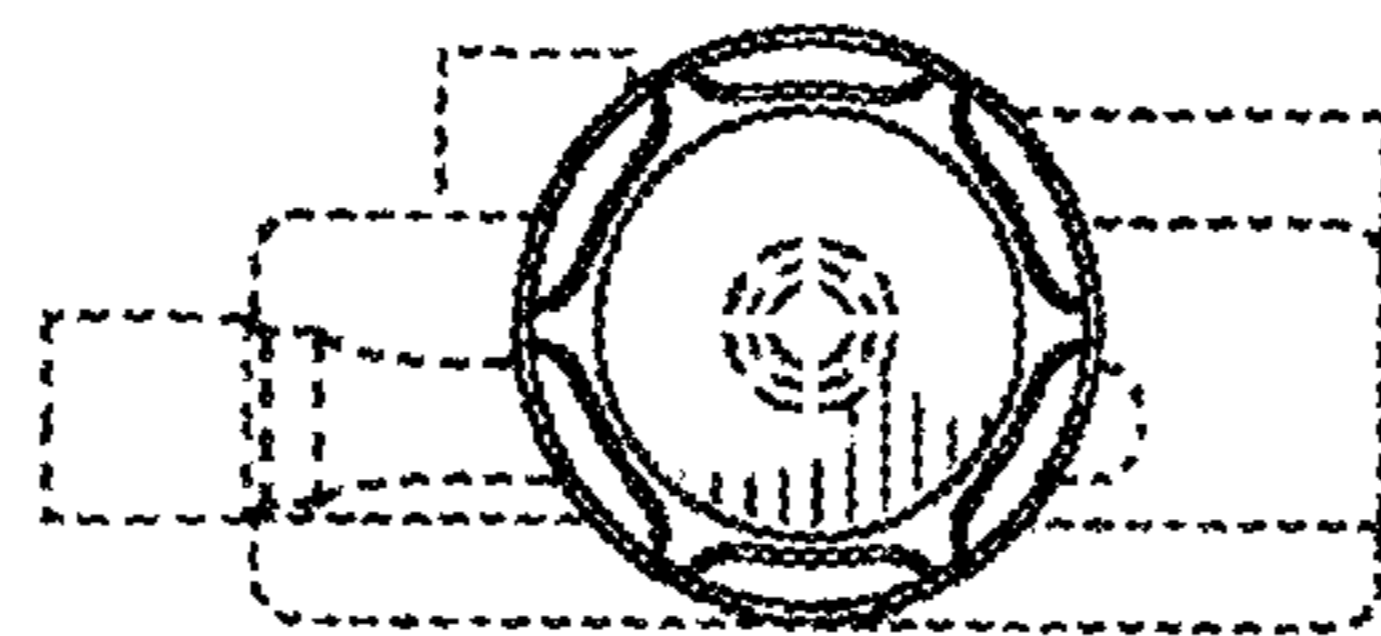


FIG. 5



**FIG. 6**



**FIG. 7**