



US00D780246S

(12) **United States Design Patent**  
**Ham**

(10) **Patent No.:** **US D780,246 S**

(45) **Date of Patent:** **\*\* Feb. 28, 2017**

(54) **CAMERA**

(71) Applicant: **Samsung Electronics Co., Ltd.**,  
Suwon-si (KR)

(72) Inventor: **Min-Ki Ham**, Seoul (KR)

(73) Assignee: **Samsung Electronics Co., Ltd.**,  
Suwon-si (KR)

(\*\*) Term: **14 Years**

(21) Appl. No.: **29/495,425**

(22) Filed: **Jul. 1, 2014**

(30) **Foreign Application Priority Data**

Jan. 9, 2014 (KR) ..... 30-2014-0001389

(51) **LOC (10) Cl.** ..... **16-05**

(52) **U.S. Cl.**  
USPC ..... **D16/219**

(58) **Field of Classification Search**  
USPC ..... D16/200, 202-206, 208, 218, 219;  
D14/125, 138 R, 138 AB, 138 C;  
348/373-376; 396/535, 539-541  
CPC ..... G03B 15/03; G03B 17/02; G03B 17/04;  
G03B 17/56; G03B 19/04; H04N 5/2251;  
H04N 5/2252; H04N 5/2253; H04N  
5/2254; H04N 2101/00  
See application file for complete search history.

(56) **References Cited**

U.S. PATENT DOCUMENTS

D521,038 S \* 5/2006 Takagi ..... D16/200  
D524,348 S \* 7/2006 Nagayama ..... D16/202

D543,227 S \* 5/2007 Hayashi ..... D16/202  
D681,090 S \* 4/2013 Tainaka ..... D16/200  
D712,953 S \* 9/2014 Nohara ..... D16/200  
D720,786 S \* 1/2015 Imamizu ..... D16/202  
D736,844 S \* 8/2015 Jang ..... D16/202  
D738,948 S \* 9/2015 Ham ..... D16/202  
D745,907 S \* 12/2015 Ham ..... D16/202  
D753,203 S \* 4/2016 Chai ..... D16/202

\* cited by examiner

*Primary Examiner* — Philip S Hyder

*Assistant Examiner* — Ramzi Almatrahi

(74) *Attorney, Agent, or Firm* — NSIP Law

(57) **CLAIM**

I claim the ornamental design for a camera, as shown and described.

**DESCRIPTION**

FIG. 1 is a front perspective view of a camera showing my new design;  
FIG. 2 is a front view thereof;  
FIG. 3 is a rear view thereof;  
FIG. 4 is a left-side view thereof;  
FIG. 5 is a right-side view thereof;  
FIG. 6 is a top view thereof;  
FIG. 7 is a bottom view thereof;  
FIG. 8 is a rear perspective view thereof, showing the display screen of the camera in an open position; and,  
FIG. 9 is a rear perspective view of the camera with the display screen shown in a closed position.  
The broken lines depict portions of the camera in which the design is embodied that form no part of the claimed design. Additionally, the dot-dash lines denote the boundary of the claim and form no part of the claimed design.

**1 Claim, 9 Drawing Sheets**

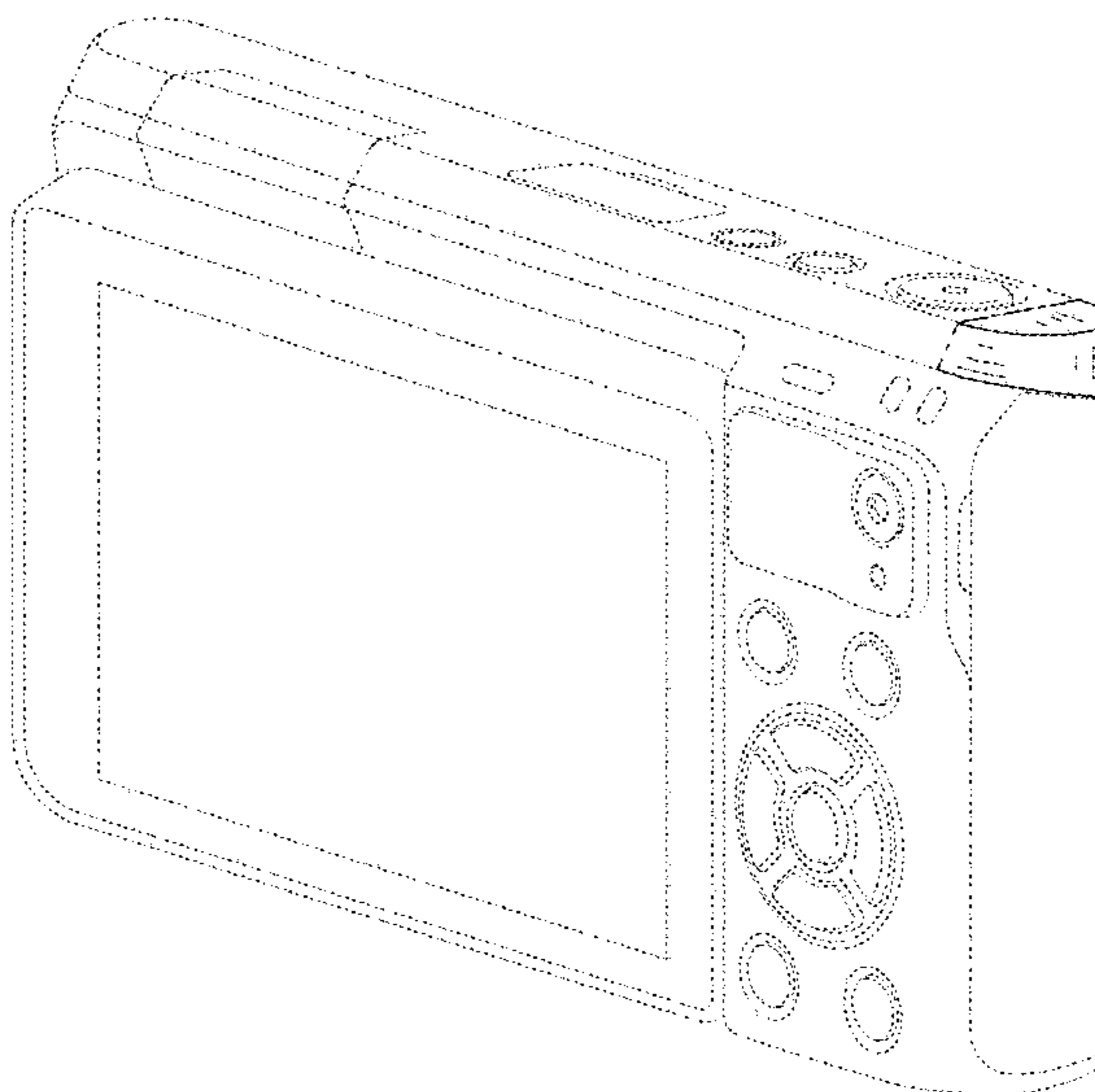
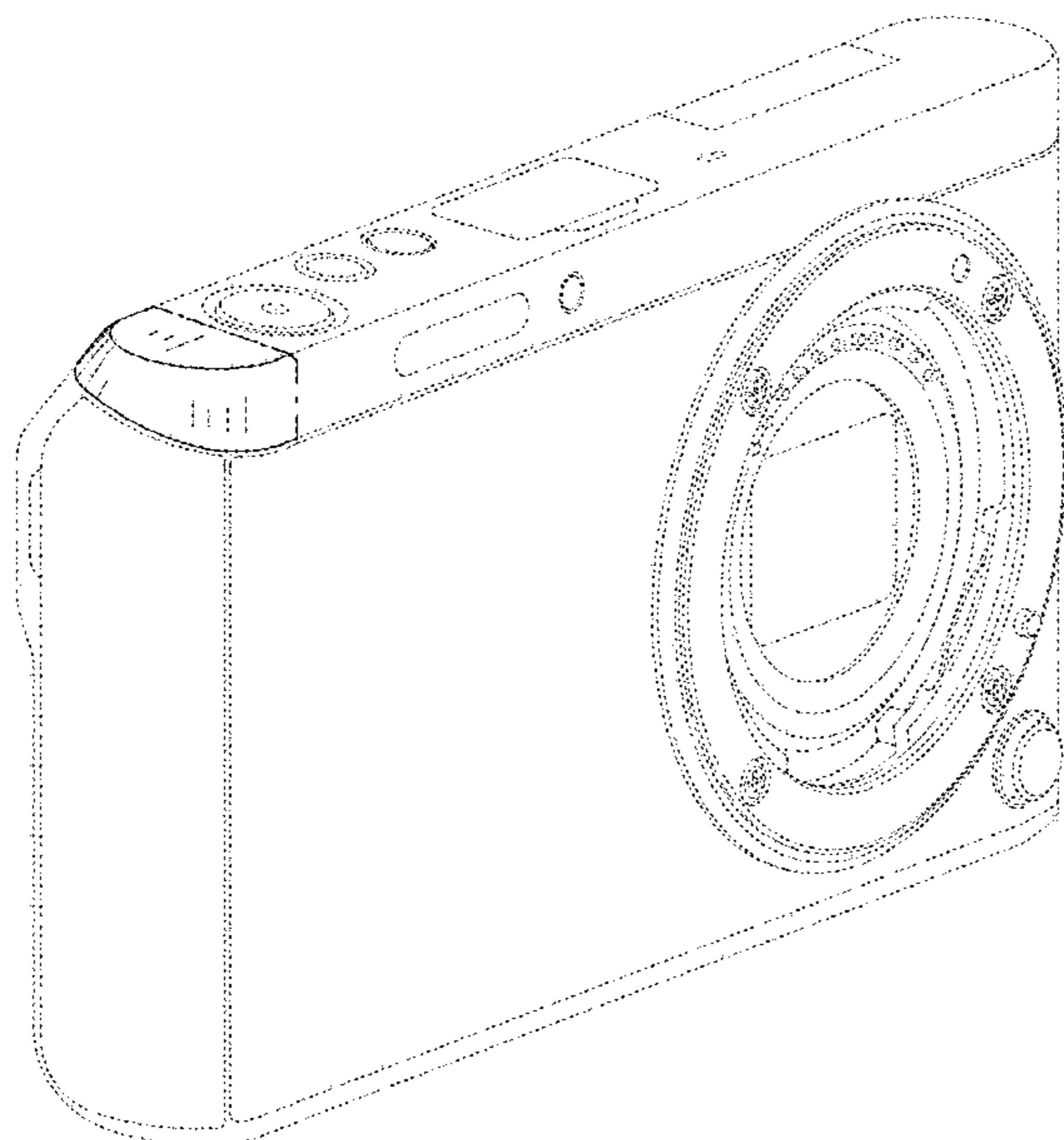


FIG. 1

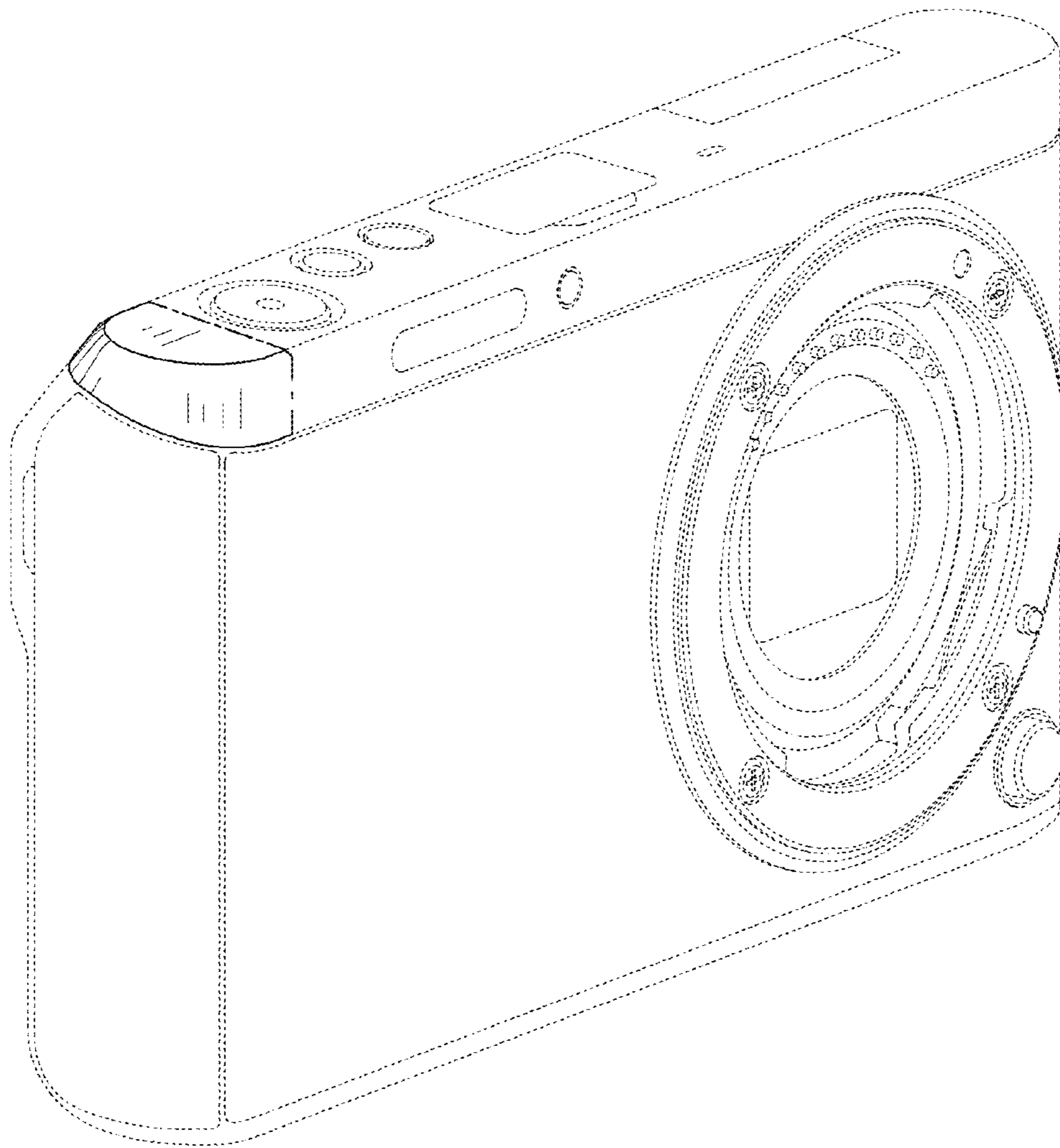


FIG. 2

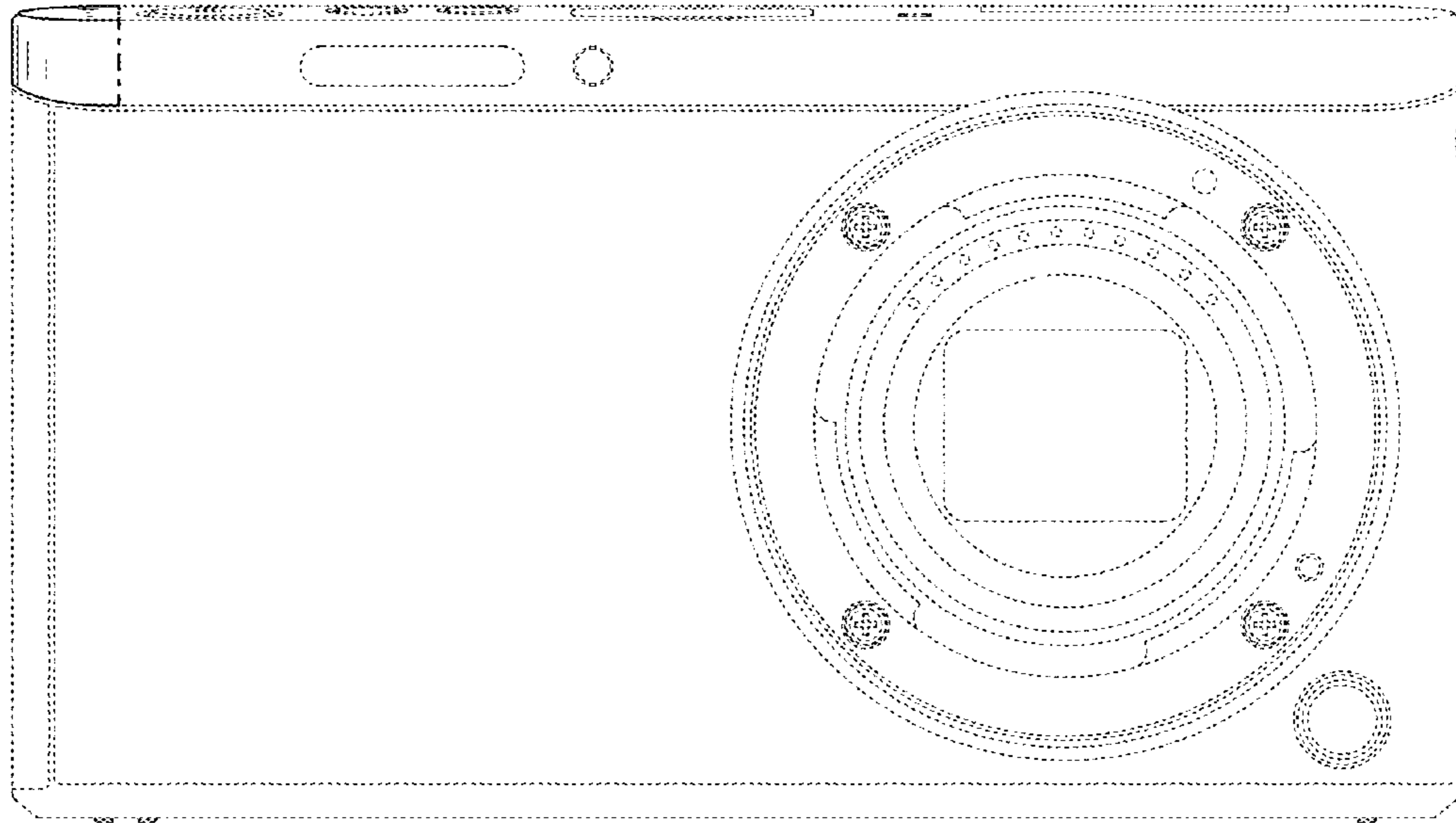


FIG. 3

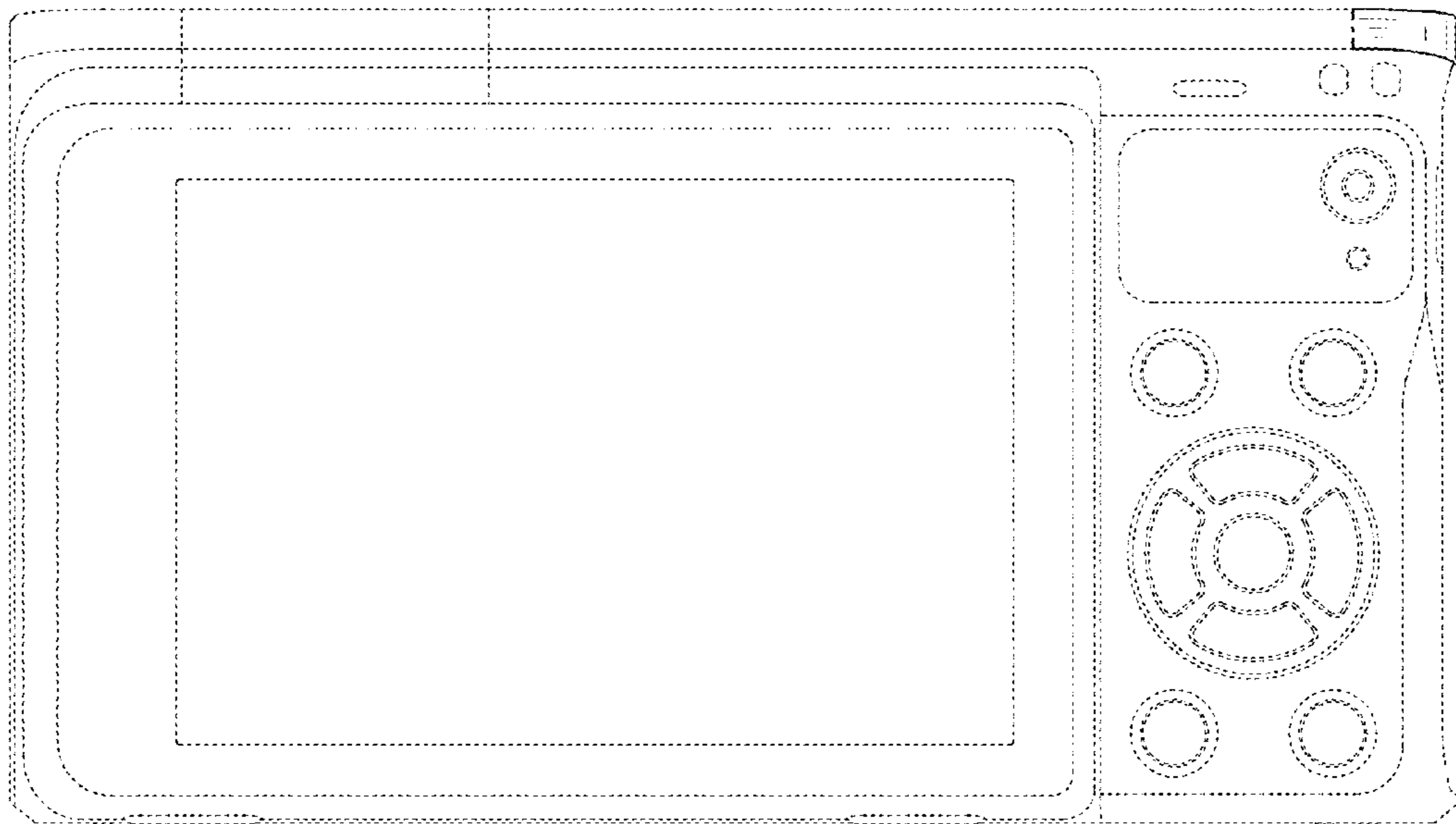


FIG. 4

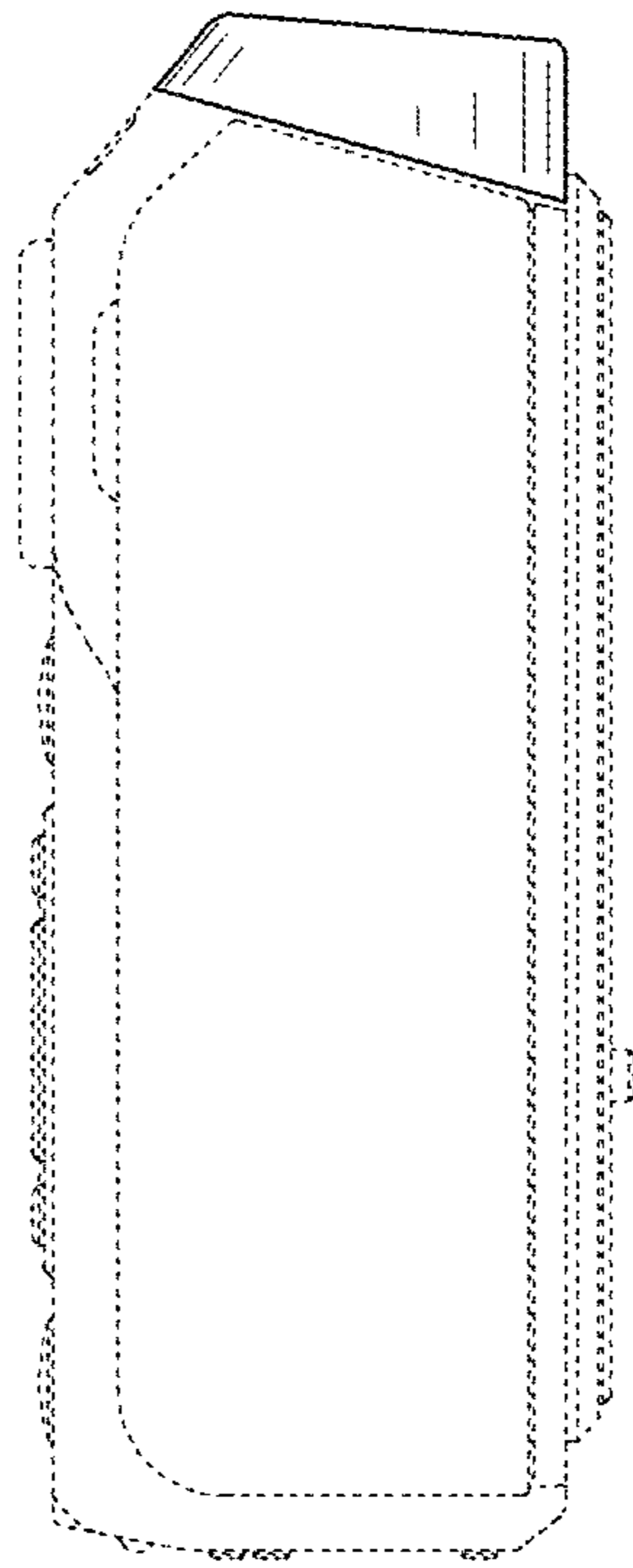


FIG. 5

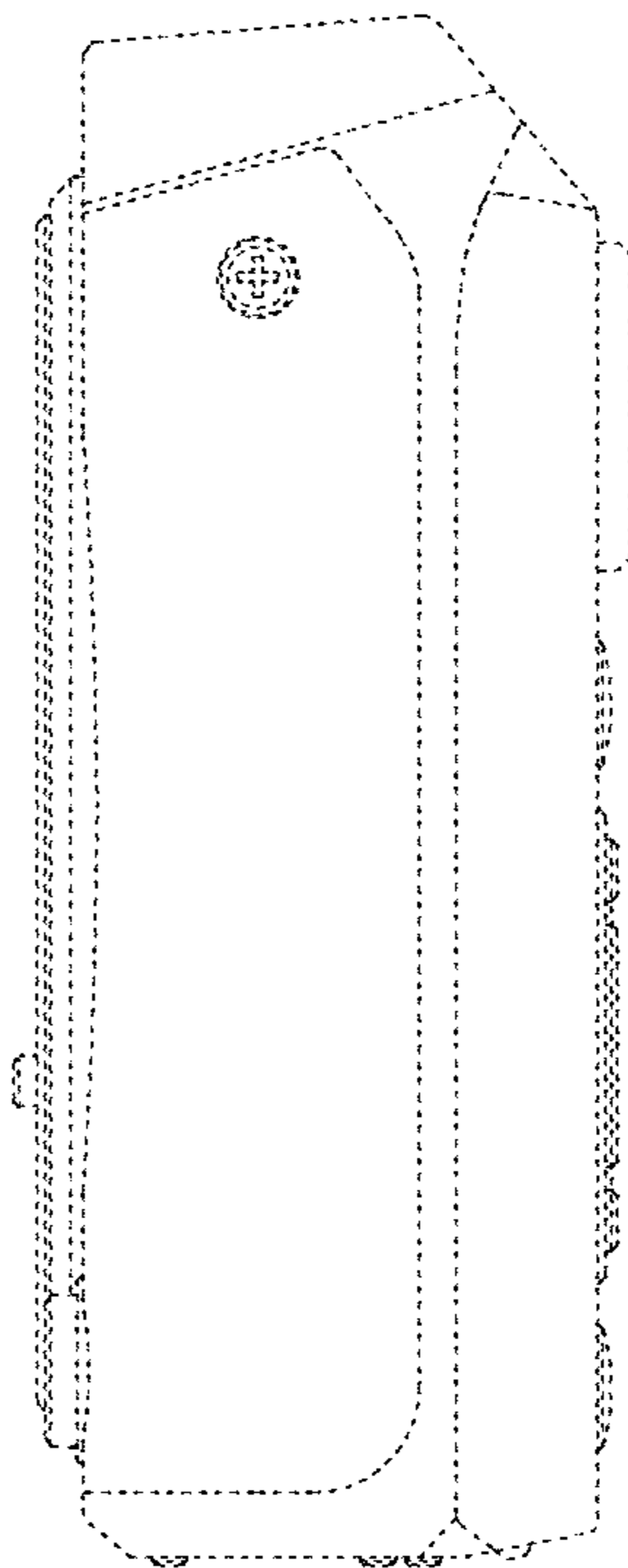


FIG. 6

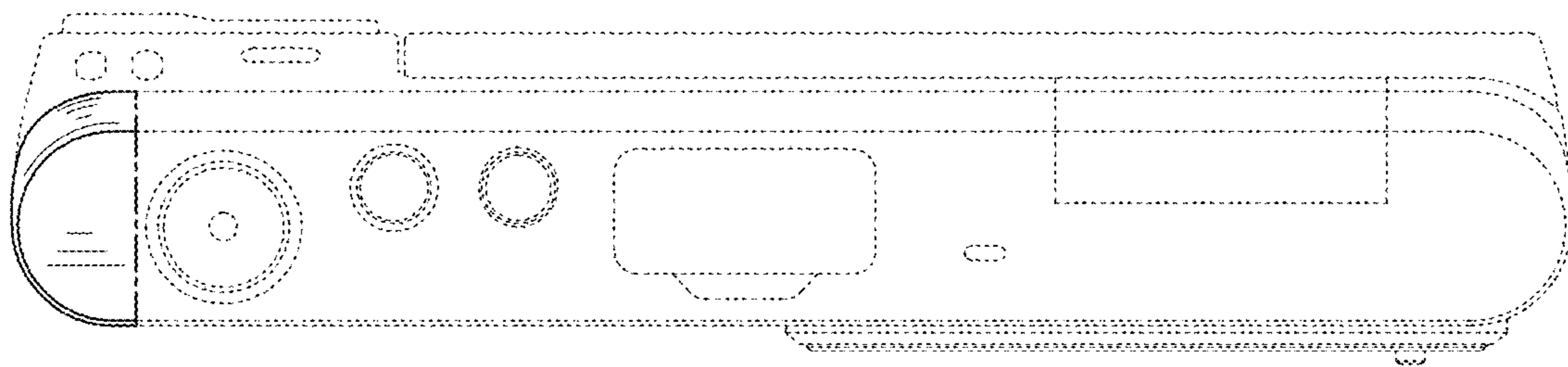


FIG. 7

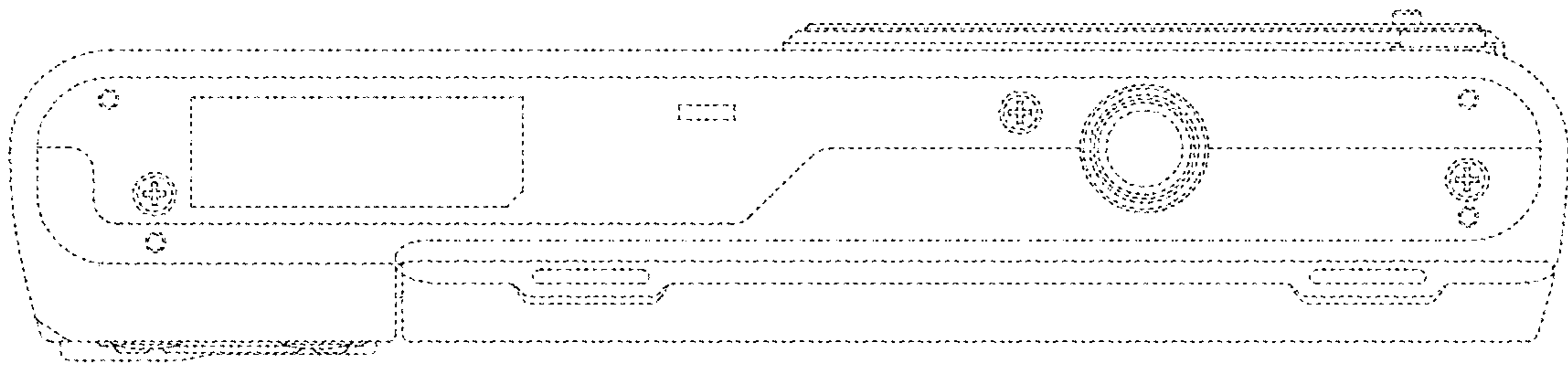




FIG. 8

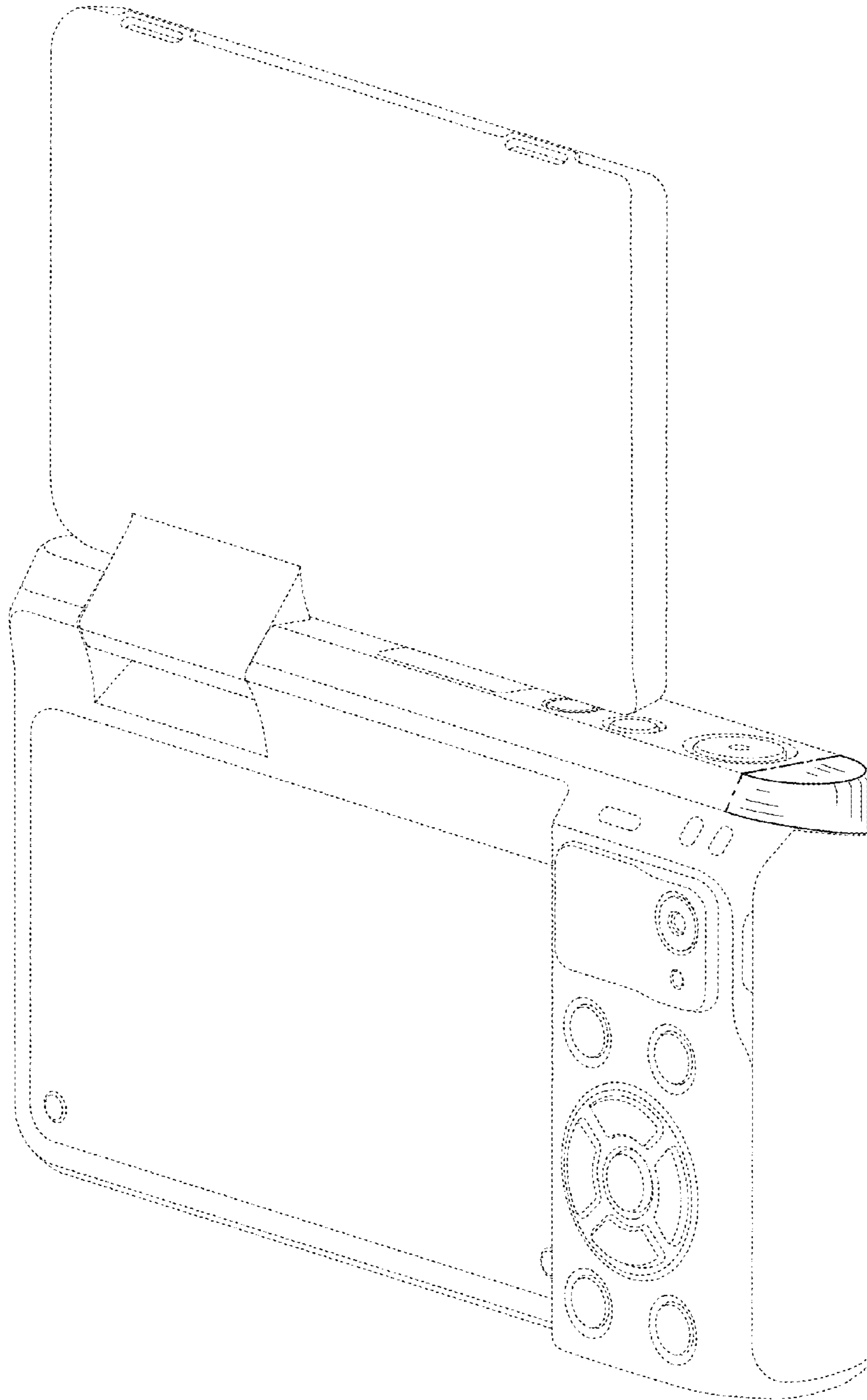


FIG. 9

