



US00D780245S

(12) **United States Design Patent** (10) **Patent No.:** **US D780,245 S**
Ruback et al. (45) **Date of Patent:** **** Feb. 28, 2017**

(54) **CAMERA**

(71) Applicant: **FLIR Systems, Inc.**, Wilsonville, OR (US)

(72) Inventors: **Samuel Ruback**, Bedford, NH (US);
Lei Bennett, Santa Barbara, CA (US);
Michael J. Fox, Nashua, NH (US);
Giovanni Lepore, Peabody, NH (US);
Zhenmei Mao, Shanghai (CN); **Xuan Song**, Jiangsu (CN)

(73) Assignee: **FLIR Systems, Inc.**, Wilsonville, OR (US)

(**) Term: **15 Years**

(21) Appl. No.: **29/529,111**

(22) Filed: **Jun. 3, 2015**

(51) **LOC (10) Cl.** **16-01**

(52) **U.S. Cl.**
USPC **D16/206**

(58) **Field of Classification Search**
USPC D16/200, 202–206, 208, 218, 219, 242;
348/164, 347, 373–376; 396/535,
396/539–541; 250/330, 332
CPC G03B 15/03; G03B 17/02; G03B 17/04;
G03B 17/56; G03B 19/04; H04N 5/2251;
H04N 5/2252; H04N 5/2253; H04N
5/2254; H04N 2101/00; H04N
5/33; H04N 5/332
See application file for complete search history.

(56) **References Cited**

U.S. PATENT DOCUMENTS

D445,817 S 7/2001 Okuley
6,486,473 B2 11/2002 Salapow et al.
D466,540 S 12/2002 Lannestedt et al.

D472,911 S 4/2003 Bielefeld
D493,733 S 8/2004 Chen
D540,838 S 4/2007 Aronsson et al.
7,236,243 B2 6/2007 Beecroft et al.
7,250,603 B1 7/2007 Nugent
D585,927 S 2/2009 Sheard et al.
D599,392 S 9/2009 Hamrelius
D658,222 S 4/2012 Elrod et al.
D665,440 S 8/2012 Sigward
D666,928 S 9/2012 Elrod
D667,040 S 9/2012 Holmes
D674,486 S 1/2013 Onuma
D677,298 S 3/2013 Hällgren
D679,307 S 4/2013 Wu
D710,424 S 8/2014 Hällgren
D723,605 S 3/2015 Palm
D727,393 S * 4/2015 Elrod D16/206
D733,783 S * 7/2015 Wu D16/206
D741,390 S * 10/2015 Mayeur D16/206

(Continued)

Primary Examiner — Philip S Hyder
Assistant Examiner — Ramzi Almatrahi
(74) *Attorney, Agent, or Firm* — Haynes and Boone, LLP

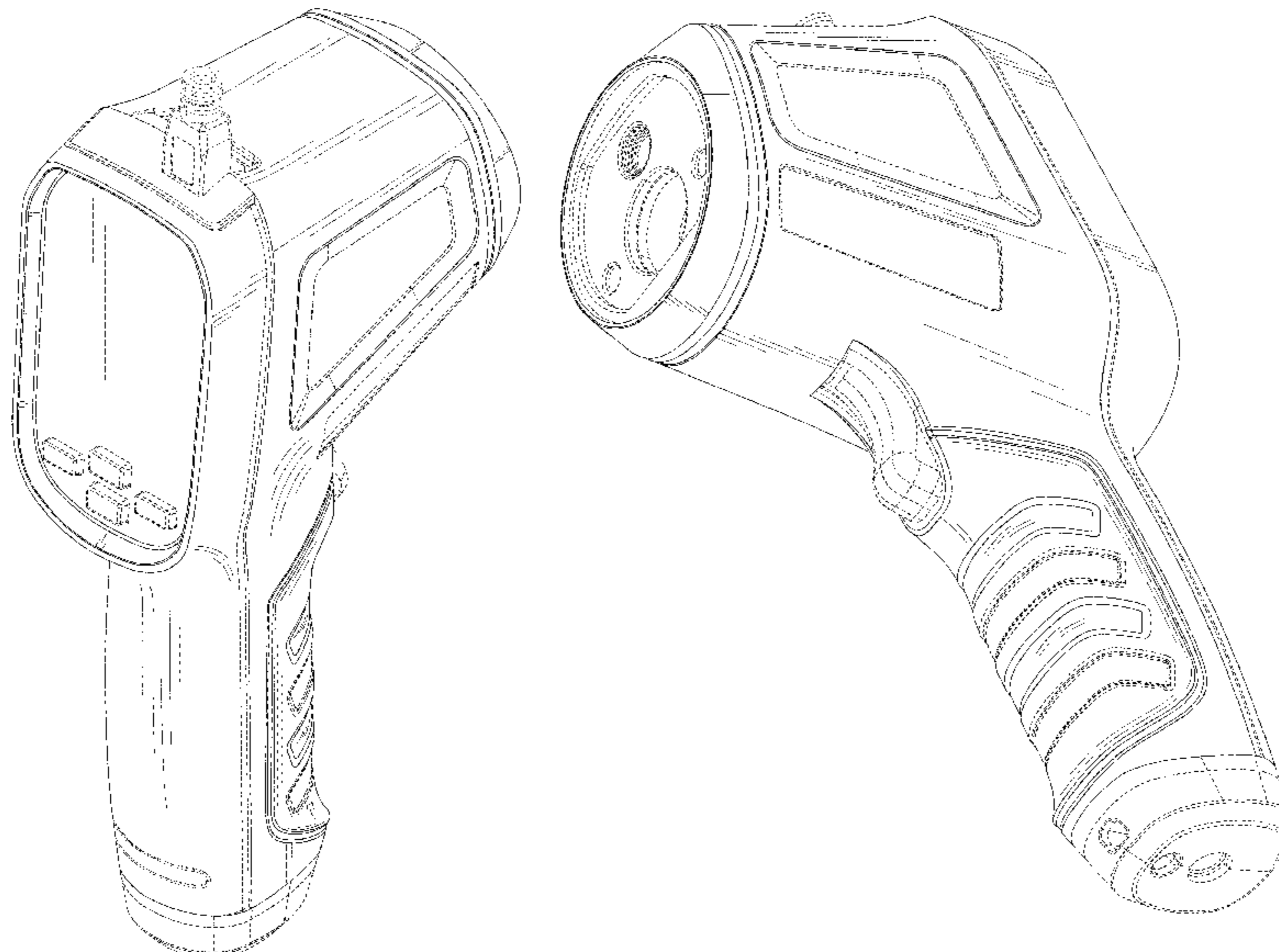
(57) **CLAIM**

The ornamental design for a camera, as shown and described.

DESCRIPTION

FIG. 1 is a front-right-top perspective view of a camera embodying our new design;
FIG. 2 is a rear-left-bottom perspective view thereof;
FIG. 3 is a front elevational view thereof;
FIG. 4 is a rear elevational view thereof;
FIG. 5 is left side elevational view thereof;
FIG. 6 is a right side elevational view thereof;
FIG. 7 is a top plan view thereof; and,
FIG. 8 is a bottom plan view thereof.
The broken lines depict portions of the camera in which the design is embodied that form no part of the claimed design.

1 Claim, 8 Drawing Sheets



(56)

References Cited

U.S. PATENT DOCUMENTS

2004/0129881 A1* 7/2004 Hamrelius G01J 5/025
250/330
2009/0090864 A1* 4/2009 Glatzmaier G01J 5/04
250/330
2009/0102925 A1* 4/2009 Sheard H04N 5/2252
348/164
2012/0314084 A1* 12/2012 Lammert G01J 5/02
348/164
2013/0188058 A1* 7/2013 Nguyen G01J 5/02
348/164
2014/0002668 A1 1/2014 Nguyen et al.
2014/0028854 A1 1/2014 Heinke et al.

* cited by examiner

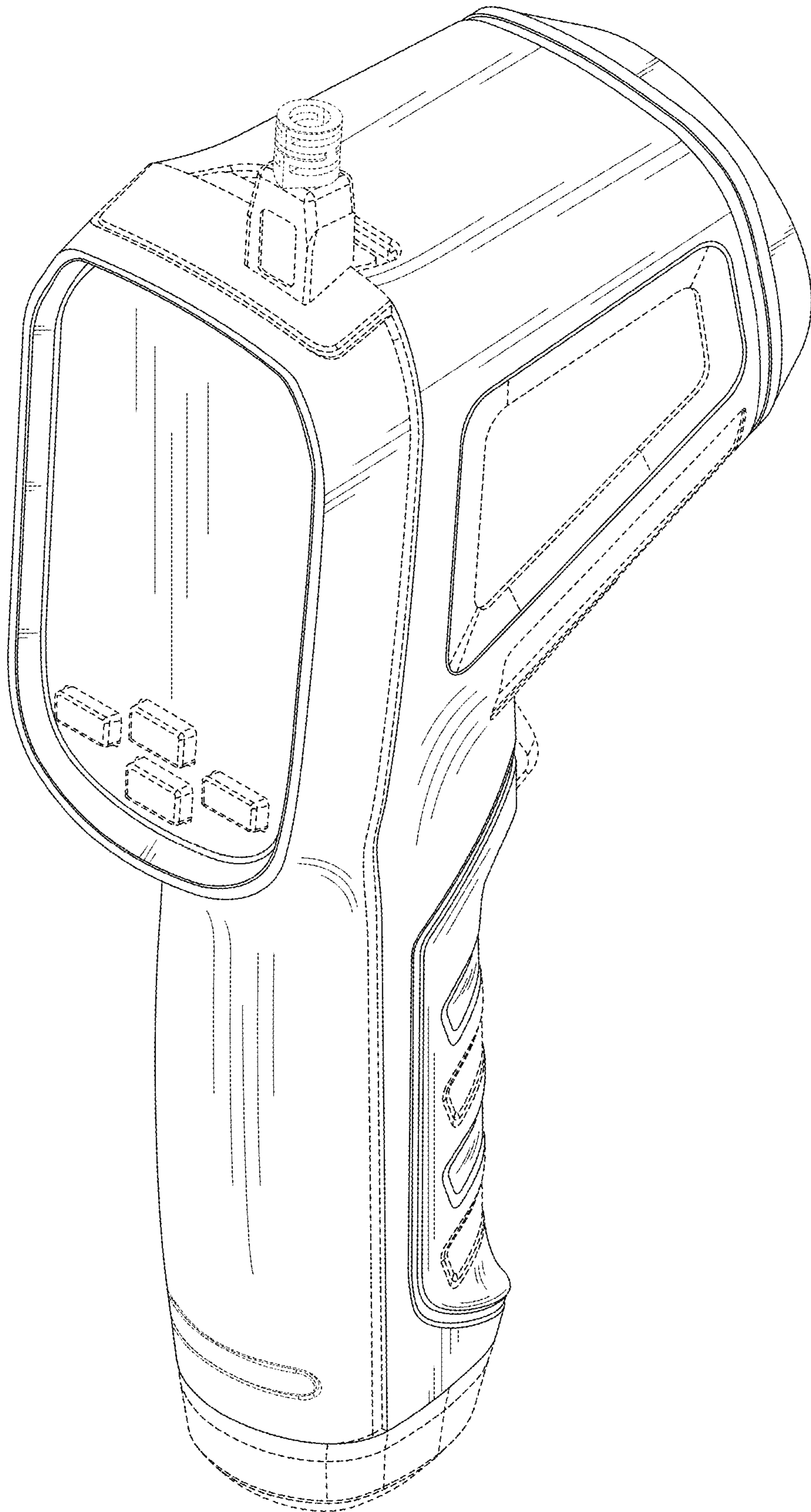


FIG. 1

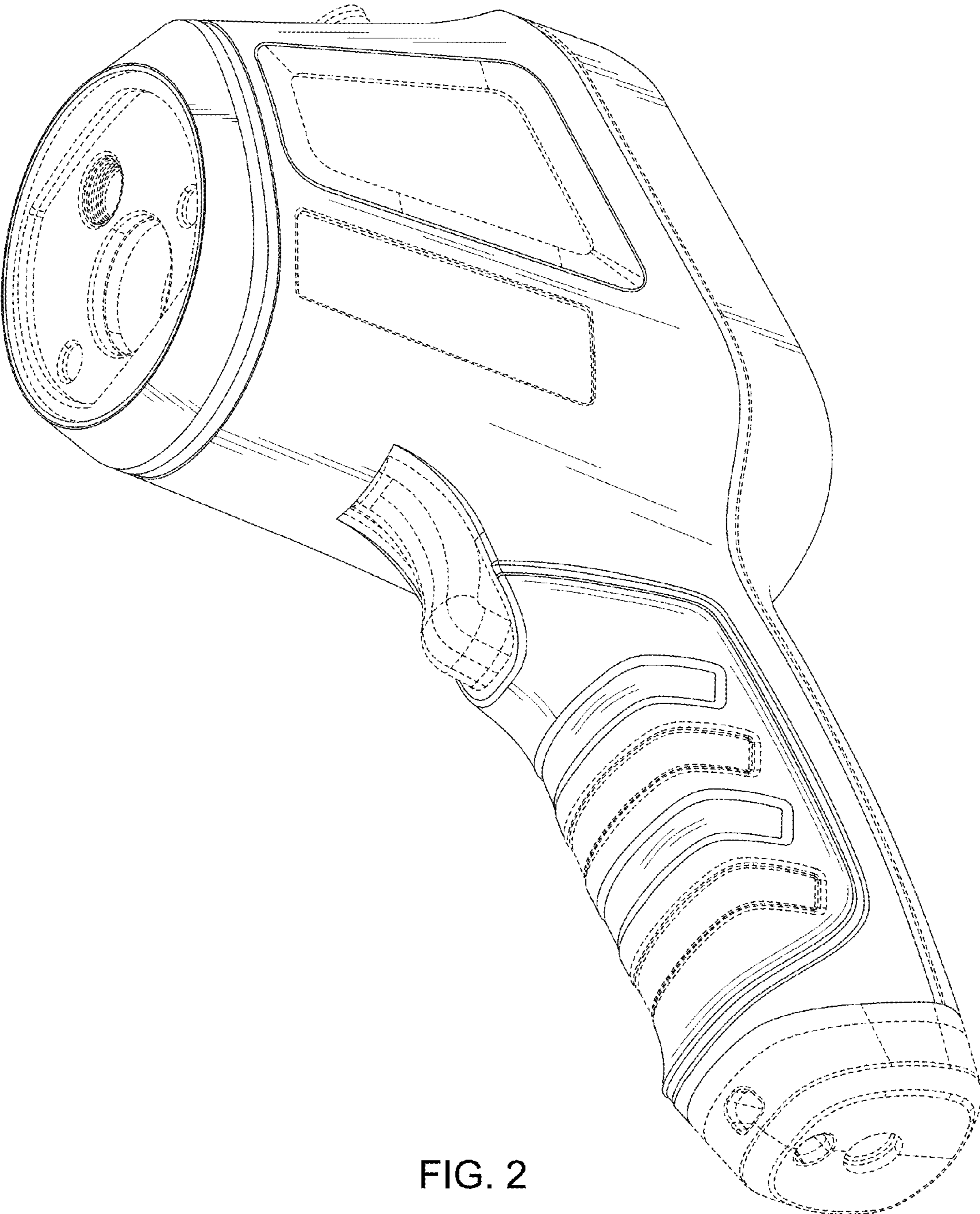


FIG. 2

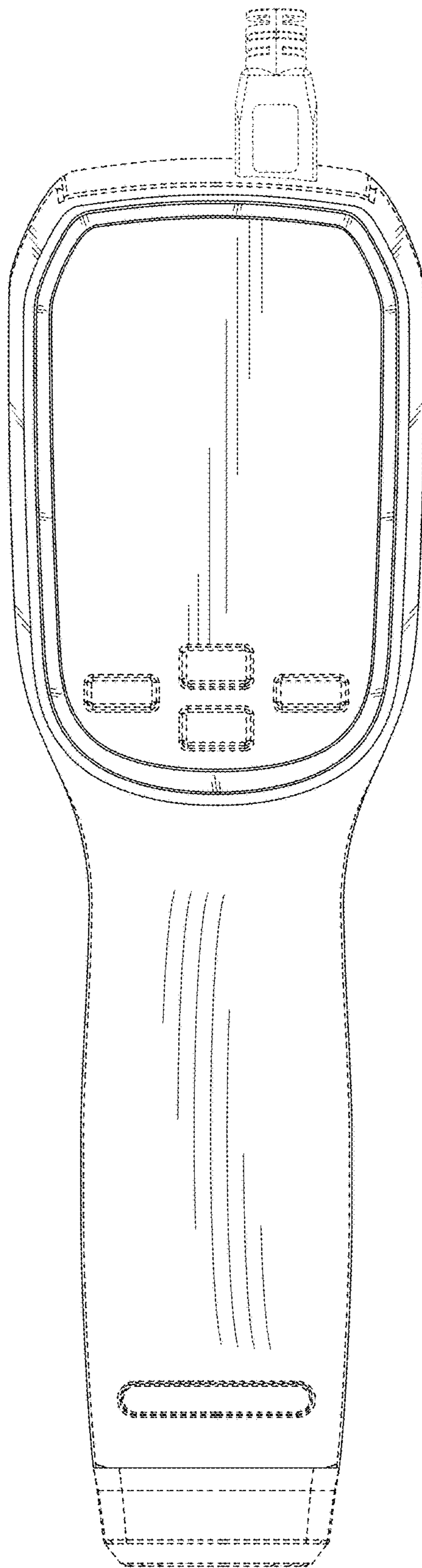


FIG. 3

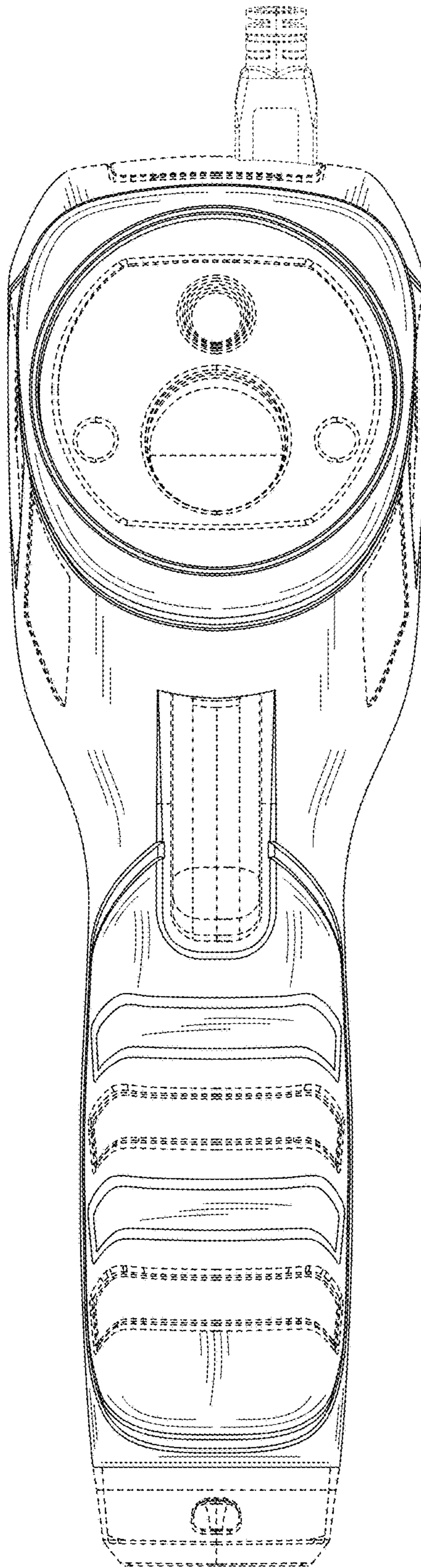


FIG. 4

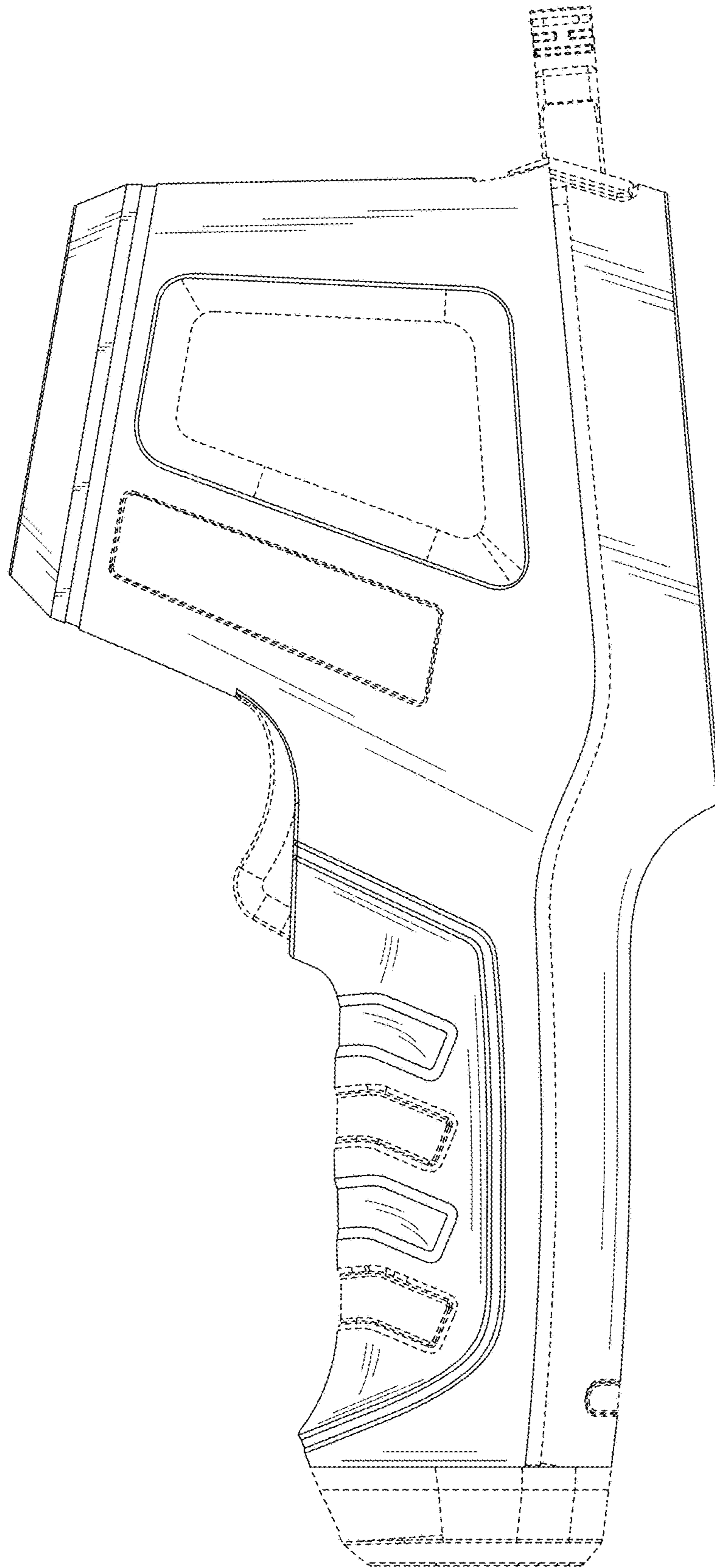


FIG. 5

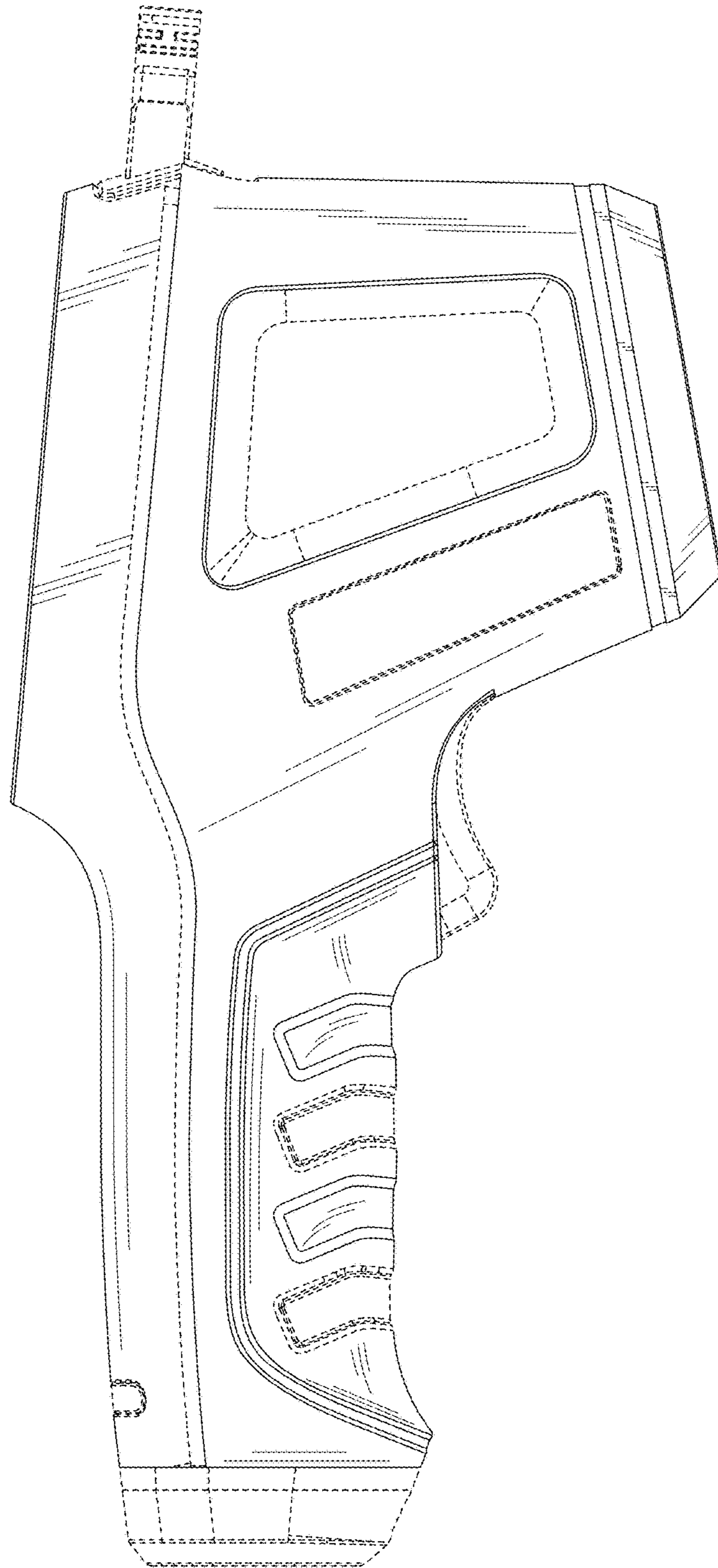


FIG. 6

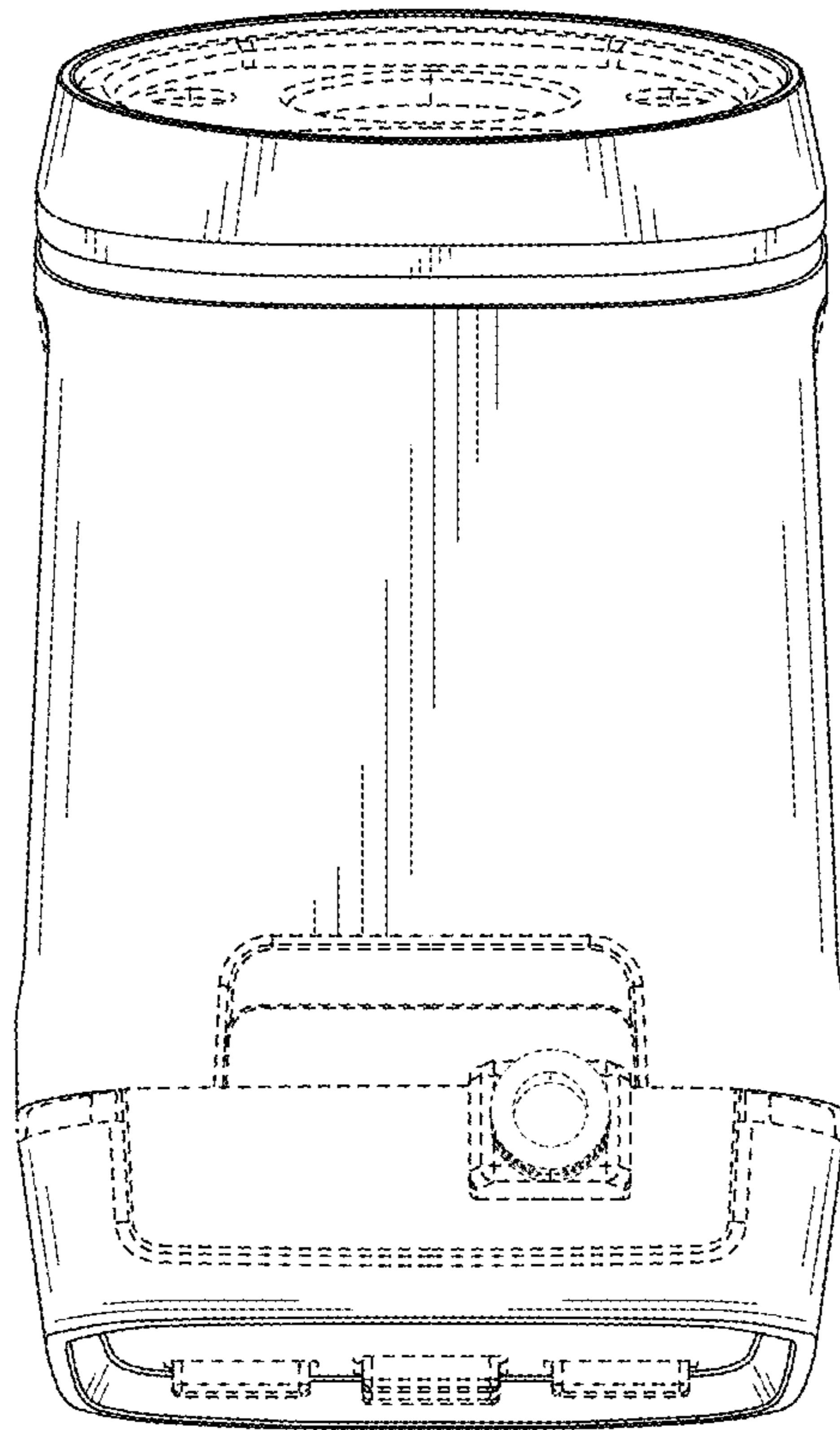


FIG. 7

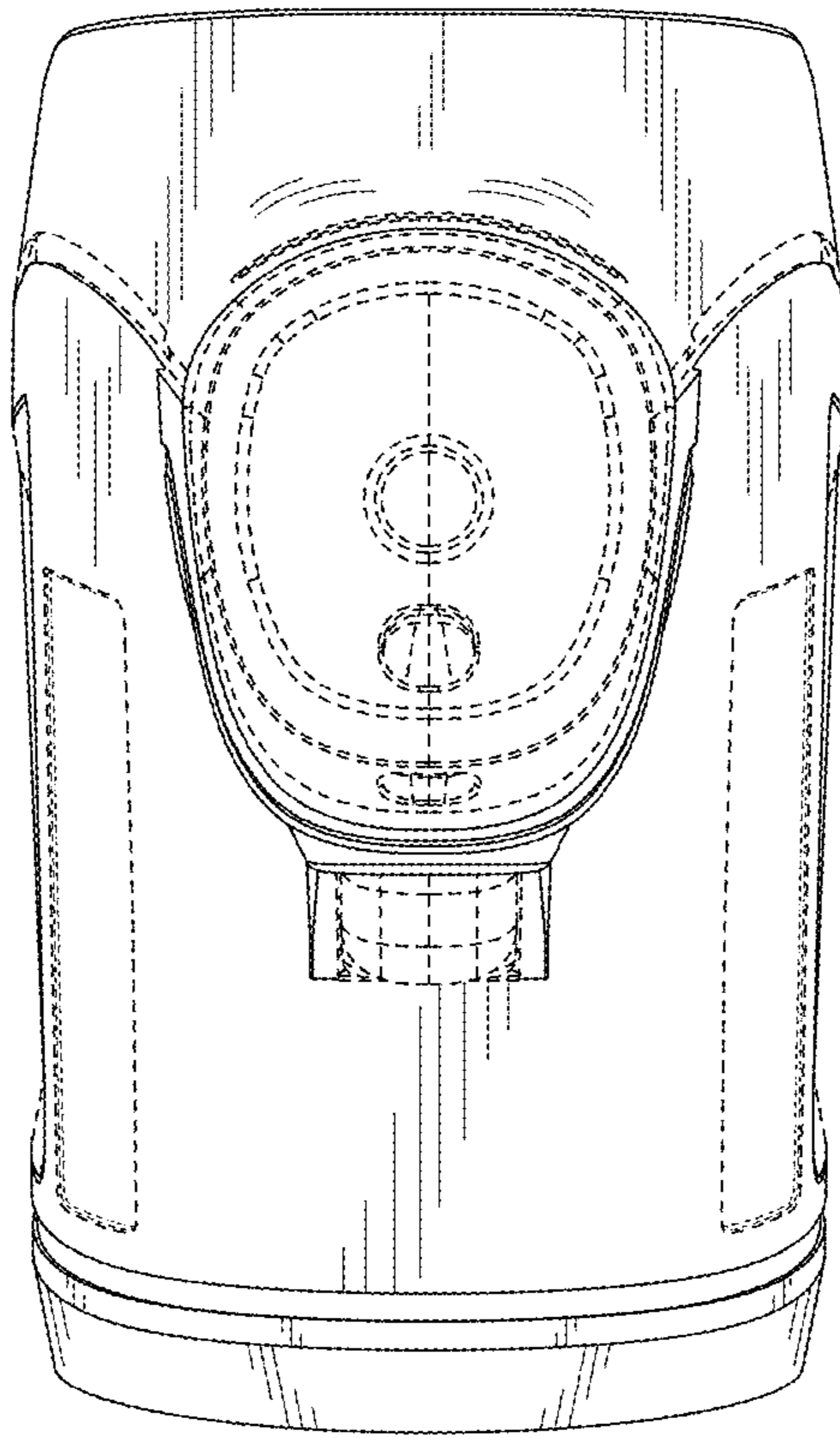


FIG. 8