



US00D780244S

(12) **United States Design Patent**  
**Wang et al.**

(10) **Patent No.:** **US D780,244 S**  
(45) **Date of Patent:** **\*\* Feb. 28, 2017**

(54) **CAMERA**

(71) Applicant: **SZ DJI Technology Co., Ltd.**,  
Shenzhen (CN)

(72) Inventors: **Zhen Wang**, Shenzhen (CN); **Dahu Pan**, Shenzhen (CN)

(73) Assignee: **SZ DJI TECHNOLOGY CO., LTD.**,  
Shenzhen (CN)

(\*\*) Term: **15 Years**

(21) Appl. No.: **29/575,052**

(22) Filed: **Aug. 22, 2016**

**Related U.S. Application Data**

(63) Continuation of application No. 29/552,821, filed on  
Jan. 26, 2016.

(51) **LOC (10) Cl.** ..... **16-01**

(52) **U.S. Cl.**  
USPC ..... **D16/200**

(58) **Field of Classification Search**

USPC ..... D3/263, 267, 268; D16/134, 136, 200,  
D16/208, 218, 219, 242; 348/294,  
348/373-376; 396/301, 539-541  
CPC ..... G03B 15/03; G03B 17/04; G03B 17/56;  
H04N 5/2251; H04N 5/2252; H04N  
5/2254; H04N 5/2256

See application file for complete search history.

(56) **References Cited**

**U.S. PATENT DOCUMENTS**

D654,689 S \* 2/2012 Chan ..... D3/267  
8,544,643 B2 \* 10/2013 Yim ..... G03B 17/08  
206/316.2  
9,019,431 B2 \* 4/2015 Phillips ..... H04N 5/2252  
206/316.1  
D741,779 S \* 10/2015 Hsiao ..... D12/16.1

D743,472 S \* 11/2015 Tanifuji ..... D16/203  
9,237,262 B2 \* 1/2016 Phillips ..... H04N 5/2252  
D754,242 S \* 4/2016 Wang ..... D16/242  
9,337,523 B2 \* 5/2016 Kim ..... H01Q 1/00  
D759,144 S \* 6/2016 Cho ..... D16/218  
9,400,082 B2 \* 7/2016 Webster ..... F16M 13/022  
D762,759 S \* 8/2016 Wu ..... D16/218  
D764,560 S \* 8/2016 Jang ..... D16/202  
D772,966 S \* 11/2016 Song ..... D16/200  
2003/0156212 A1 \* 8/2003 Kingetsu ..... H04N 5/23293  
348/333.12  
2004/0027820 A1 \* 2/2004 Hilmersen ..... F21V 33/0052  
362/8  
2011/0216195 A1 \* 9/2011 Tanaka ..... H04N 5/2253  
348/148

(Continued)

*Primary Examiner* — Manpreet Matharu

*Assistant Examiner* — Yolanda Robinson

(74) *Attorney, Agent, or Firm* — Sterne, Kessler,  
Goldstein & Fox P.L.L.C.

(57) **CLAIM**

The ornamental design for a camera, as shown and  
described.

**DESCRIPTION**

FIG. 1 is a top, front, left perspective view of a camera  
showing the claimed design;

FIG. 2 is a top, front, right perspective view thereof;

FIG. 3 is a front view thereof;

FIG. 4 is a rear view thereof;

FIG. 5 is a right side view thereof;

FIG. 6 is a left side view thereof;

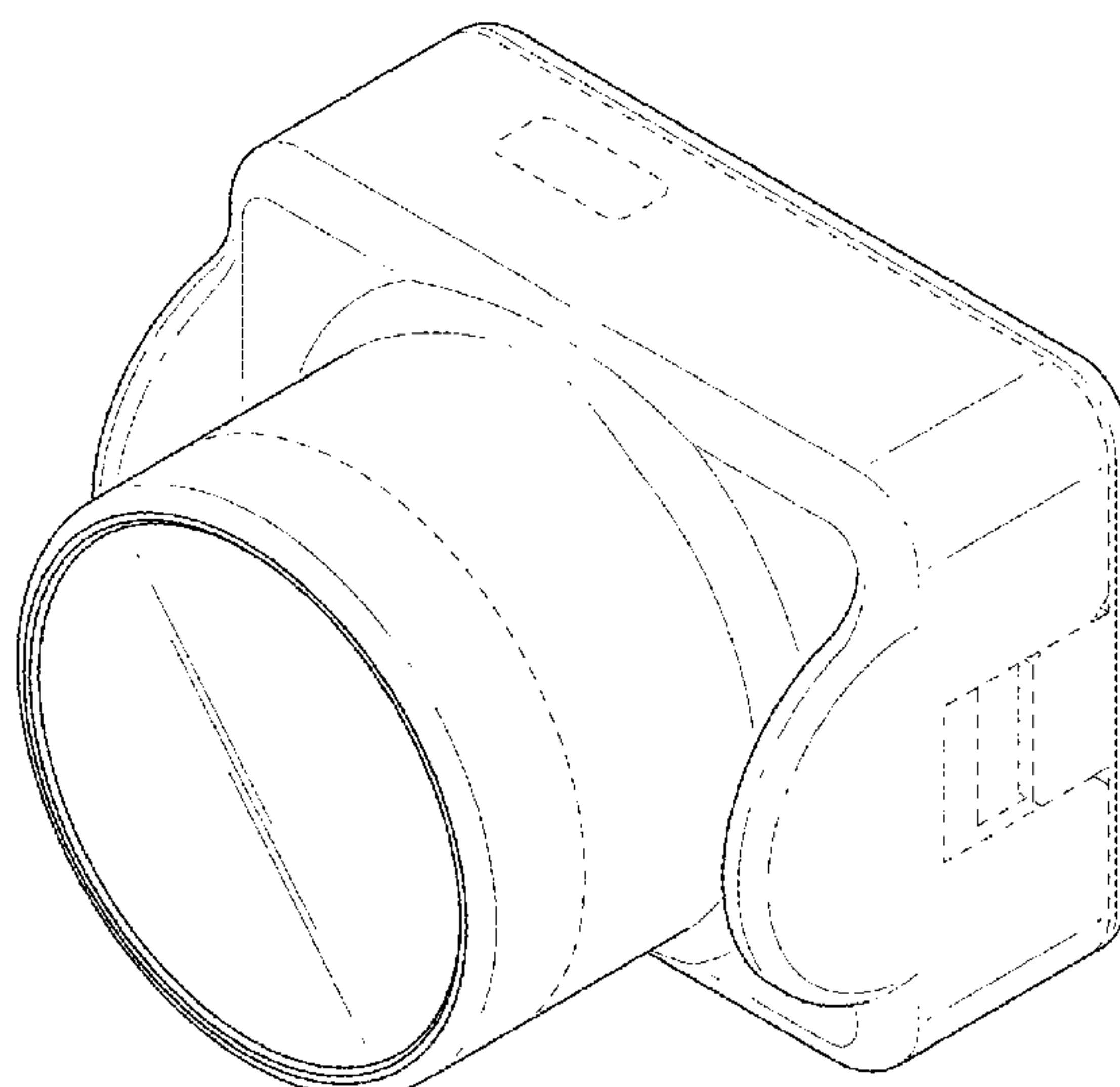
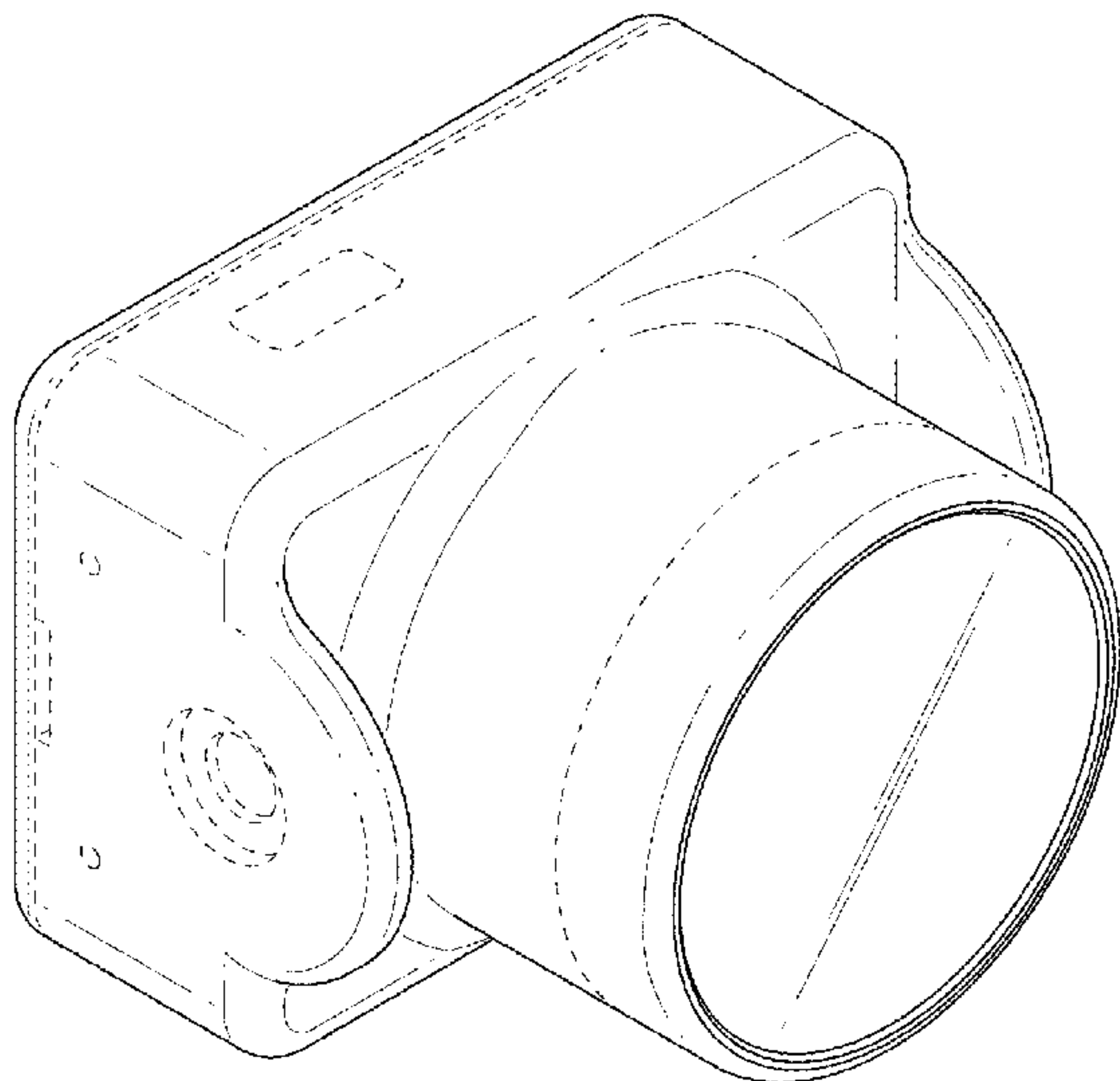
FIG. 7 is a top view thereof; and,

FIG. 8 is a bottom view thereof.

The broken lines in the figures show portions of the camera  
that form no part of the claimed design.

The oblique shade lines in the figures show transparency or  
translucency.

**1 Claim, 8 Drawing Sheets**



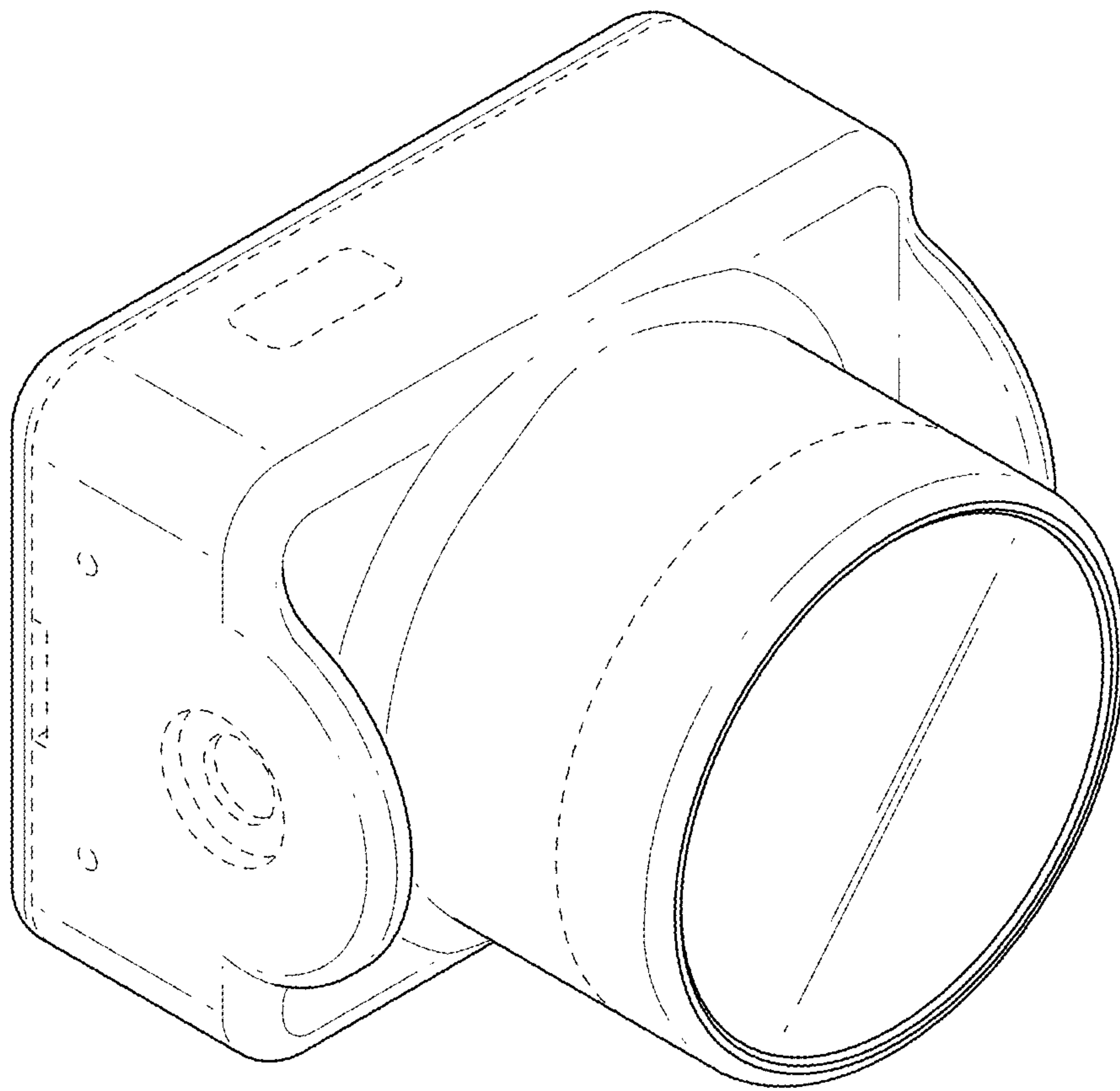
(56)

**References Cited**

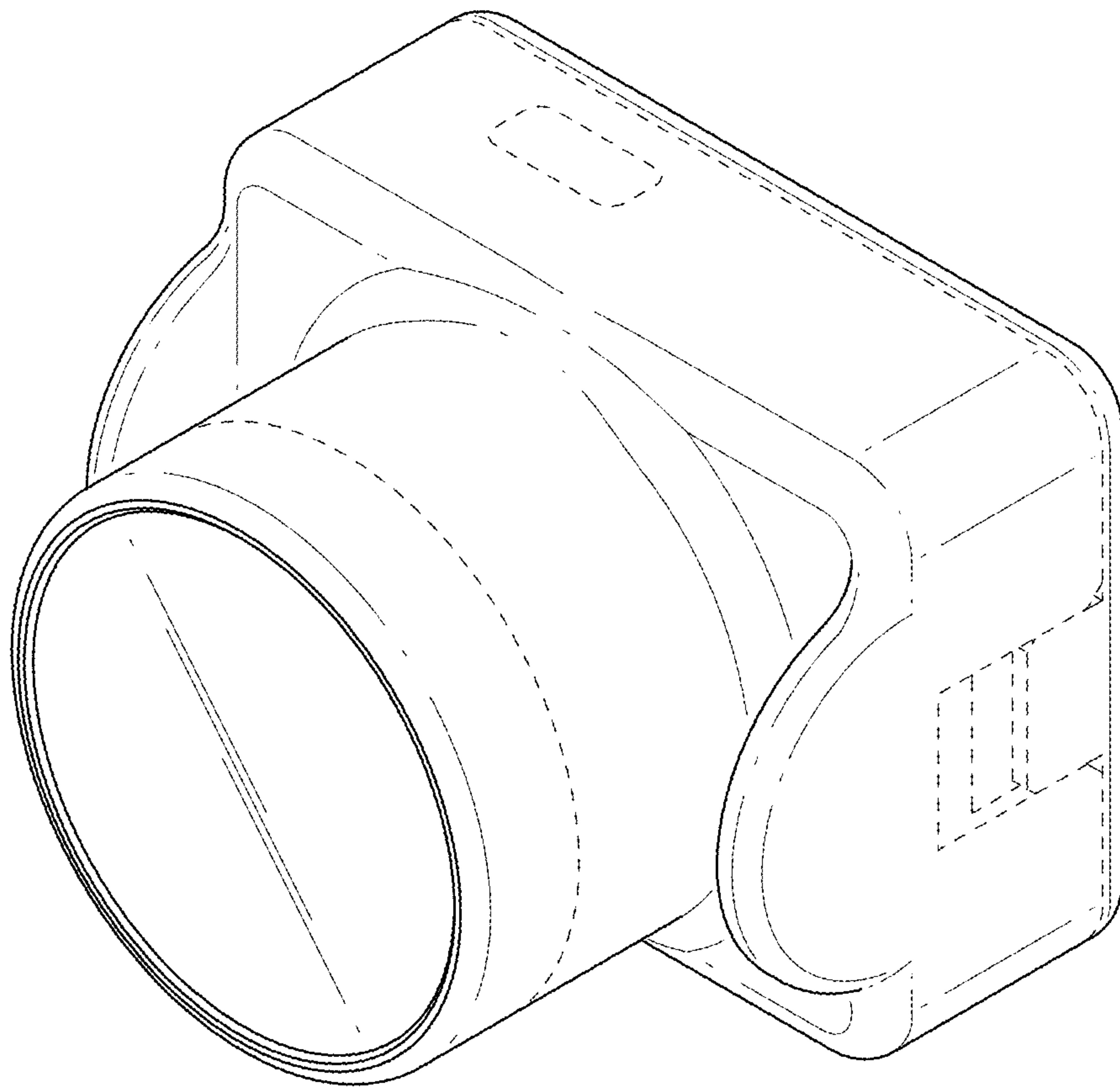
U.S. PATENT DOCUMENTS

2015/0122849 A1\* 5/2015 Jones ..... F16M 13/04  
224/181

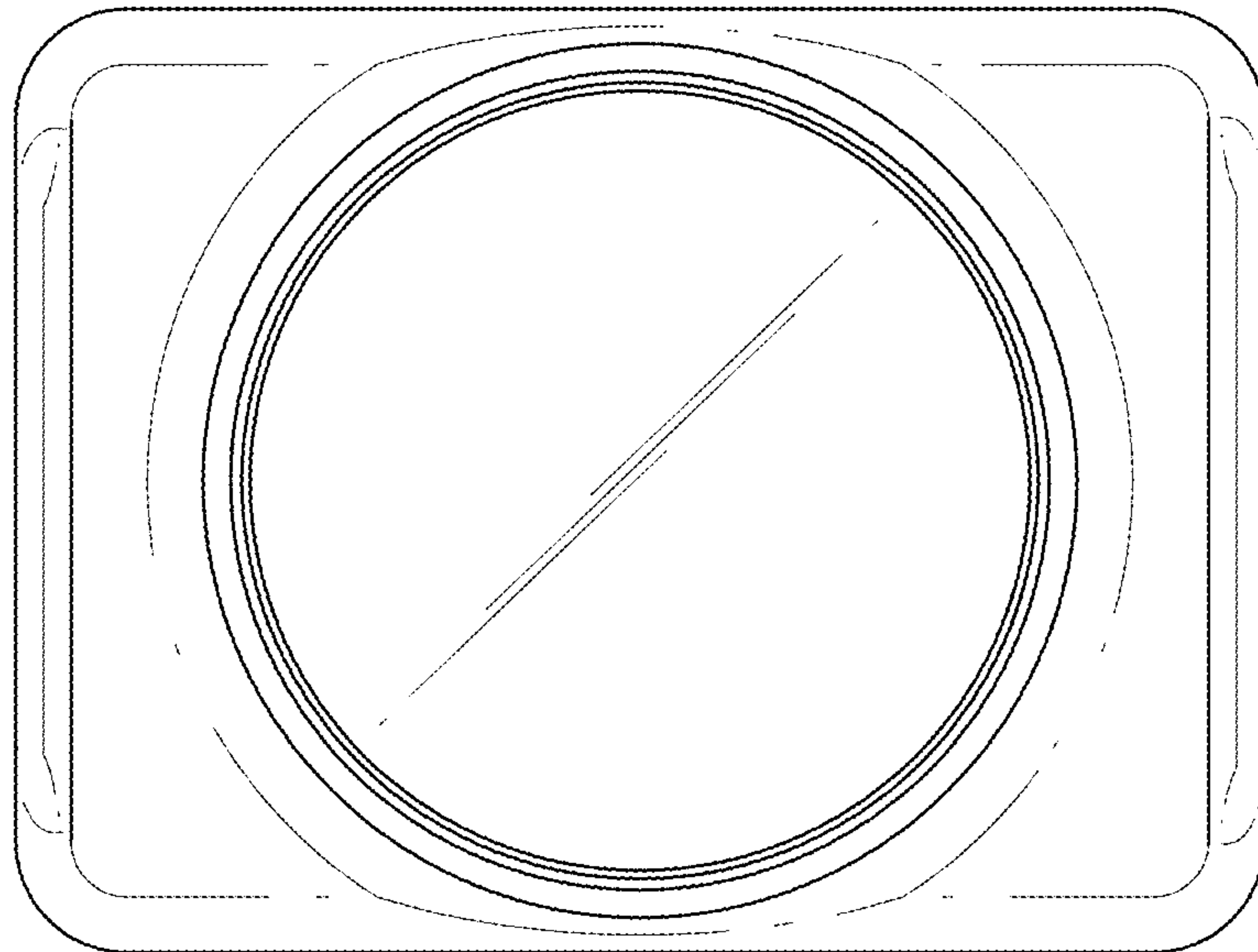
\* cited by examiner



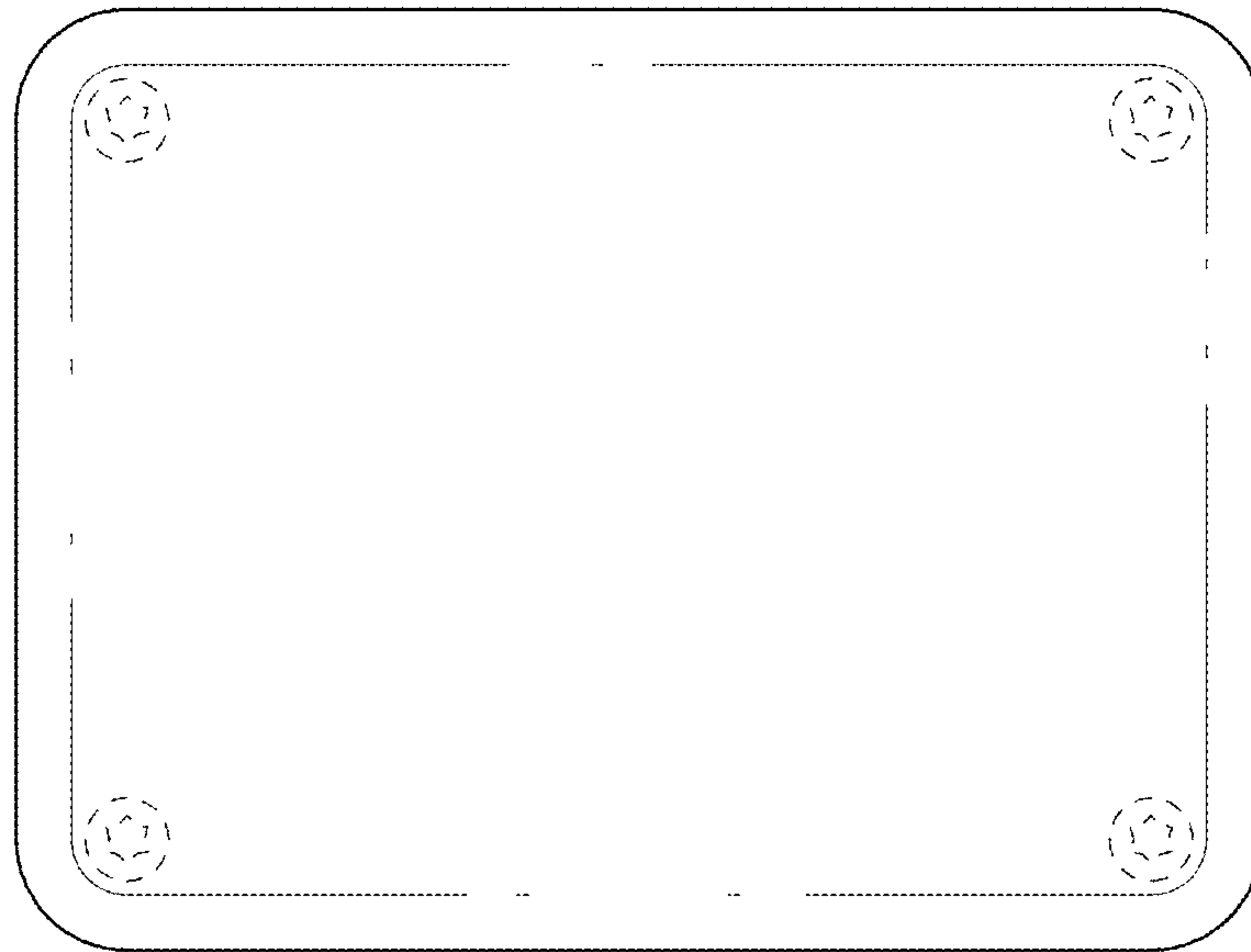
**FIG. 1**



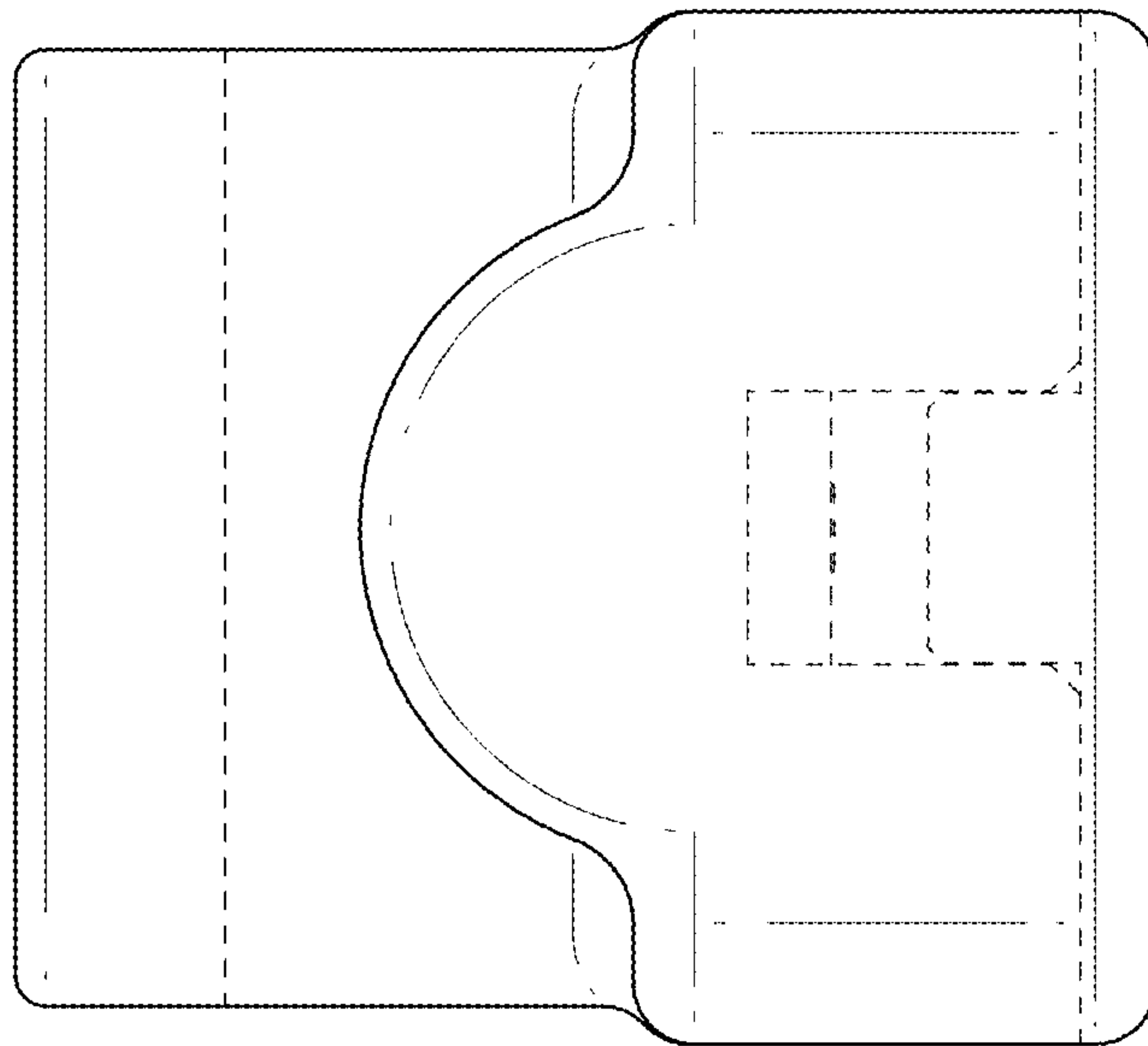
**FIG. 2**



**FIG. 3**

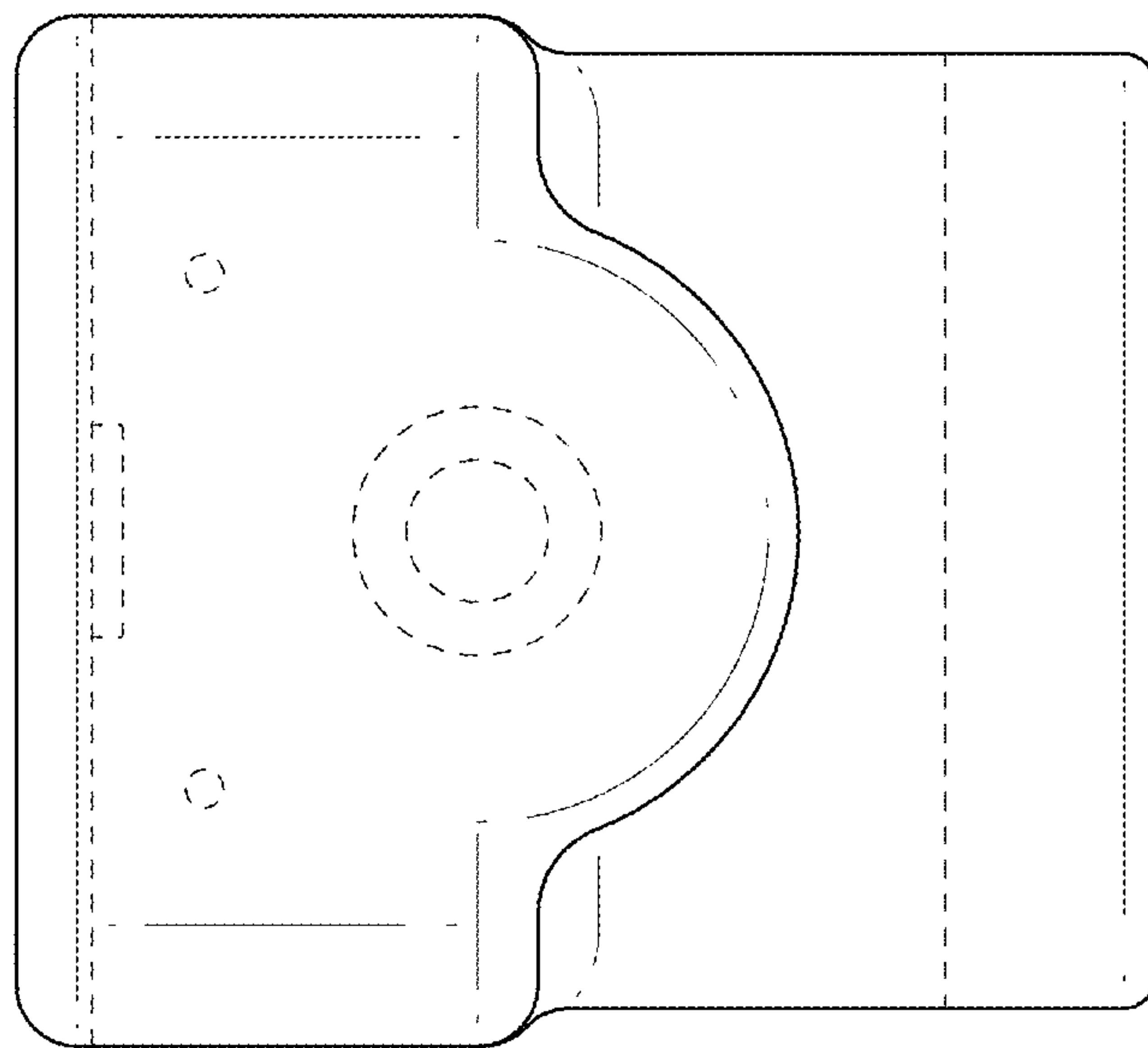


**FIG. 4**



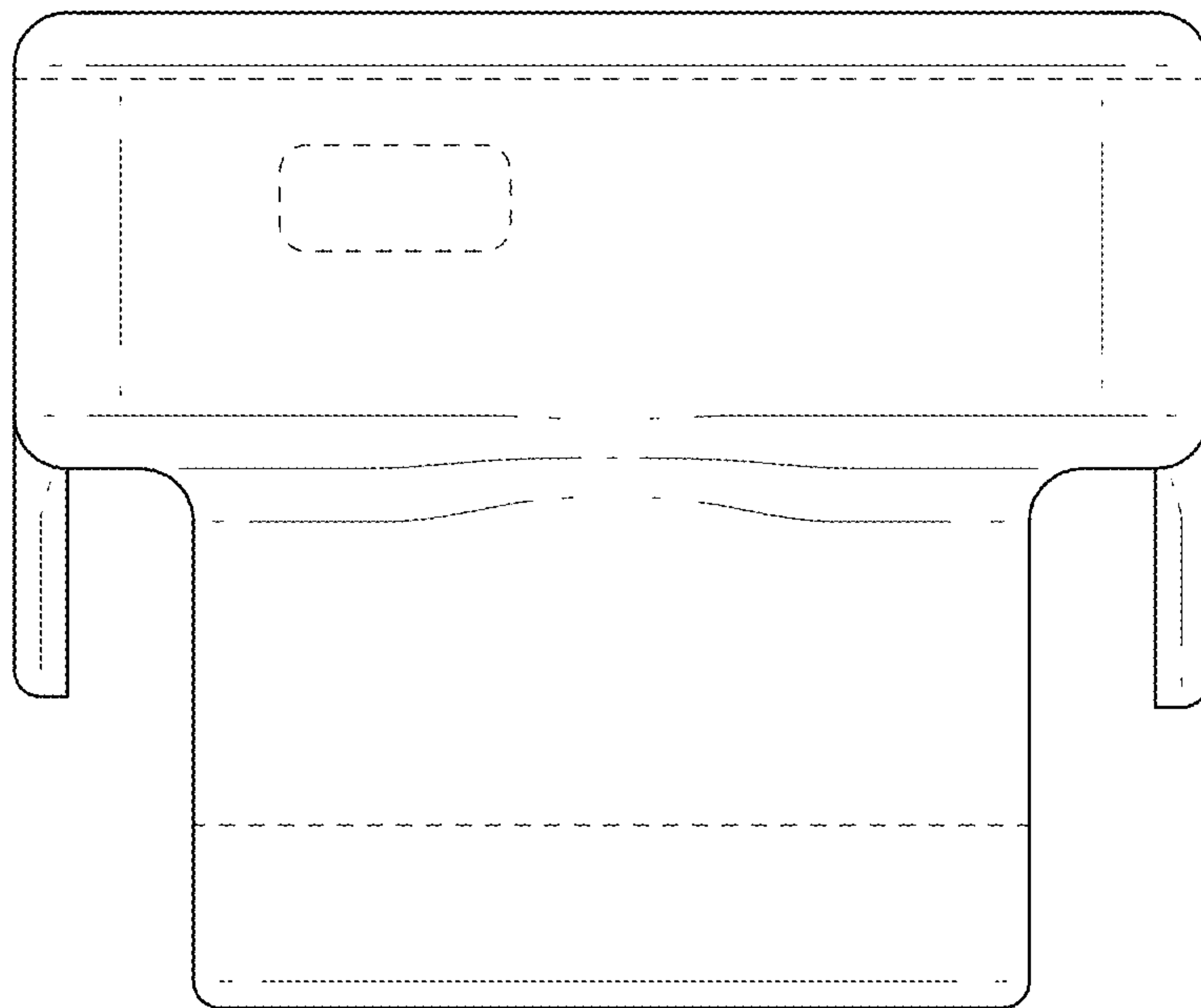
**FIG. 5**



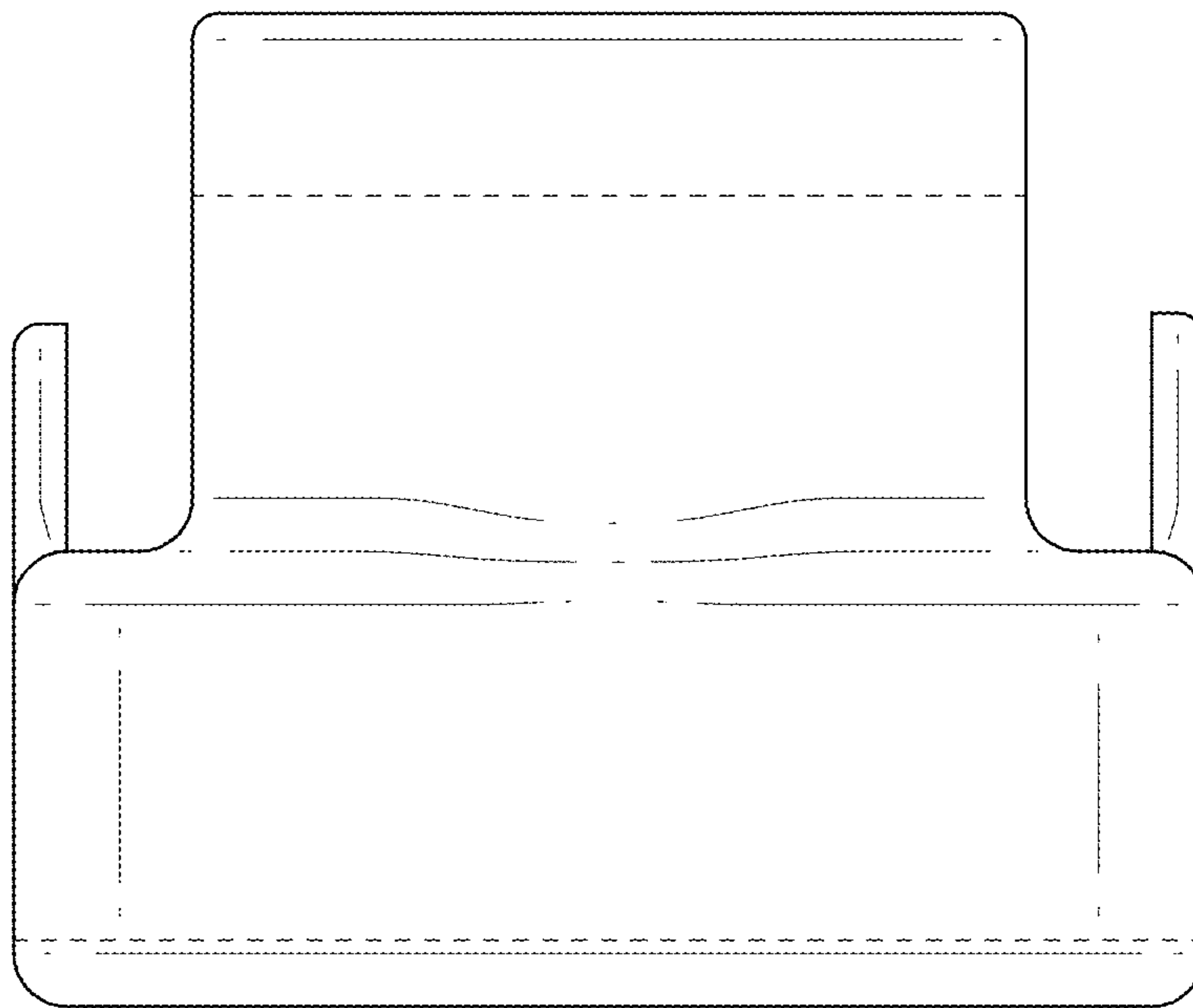


**FIG. 6**





**FIG. 7**



**FIG. 8**