



US00D780242S

(12) **United States Design Patent**
Hamayde

(10) **Patent No.:** **US D780,242 S**

(45) **Date of Patent:** **** *Feb. 28, 2017**

(54) **PERFORATING MACHINE**

(71) Applicant: **Vivid Laminating Technologies Limited**, Coalville (GB)

(72) Inventor: **Sébastien de la Hamayde**, Leicester (GB)

(73) Assignee: **VIVID LAMINATING TECHNOLOGIES LIMITED** (GB)

(*) Notice: This patent is subject to a terminal disclaimer.

(**) Term: **14 Years**

(21) Appl. No.: **29/512,296**

(22) Filed: **Dec. 18, 2014**

(51) **LOC (10) Cl.** **15-09**

(52) **U.S. Cl.**
USPC **D15/145**

(58) **Field of Classification Search**
USPC D15/122, 138, 145
See application file for complete search history.

(56) **References Cited**

U.S. PATENT DOCUMENTS

1,753,148	A *	4/1930	Head	234/75
1,982,453	A *	11/1934	Rix	234/61
2,302,944	A *	11/1942	Helbig	172/21
2,608,282	A *	8/1952	Firminger	400/135
2,748,863	A *	6/1956	Benton	83/171

2,775,297	A *	12/1956	Cunningham	234/58
2,816,609	A *	12/1957	Rossetto et al.	234/9
2,822,599	A *	2/1958	Webb	408/12
2,968,983	A *	1/1961	Cousino	83/356.2
3,214,795	A *	11/1965	Hannauer, Jr. et al.	425/294
3,681,964	A *	8/1972	Darling	72/204
3,698,222	A *	10/1972	Blake	72/129
4,333,790	A *	6/1982	Schaffron	156/510
5,007,356	A *	4/1991	Hiratsuka et al.	112/68
D407,751	S *	4/1999	Zimmermann	D19/72
5,921,175	A *	7/1999	Bates	101/32
6,418,827	B1 *	7/2002	Bussey et al.	83/304
7,278,498	B2 *	10/2007	Comacchio et al.	175/122
8,079,293	B2 *	12/2011	Kortuem et al.	83/155
8,438,960	B2 *	5/2013	Booms	83/322

* cited by examiner

Primary Examiner — Patricia Palasik

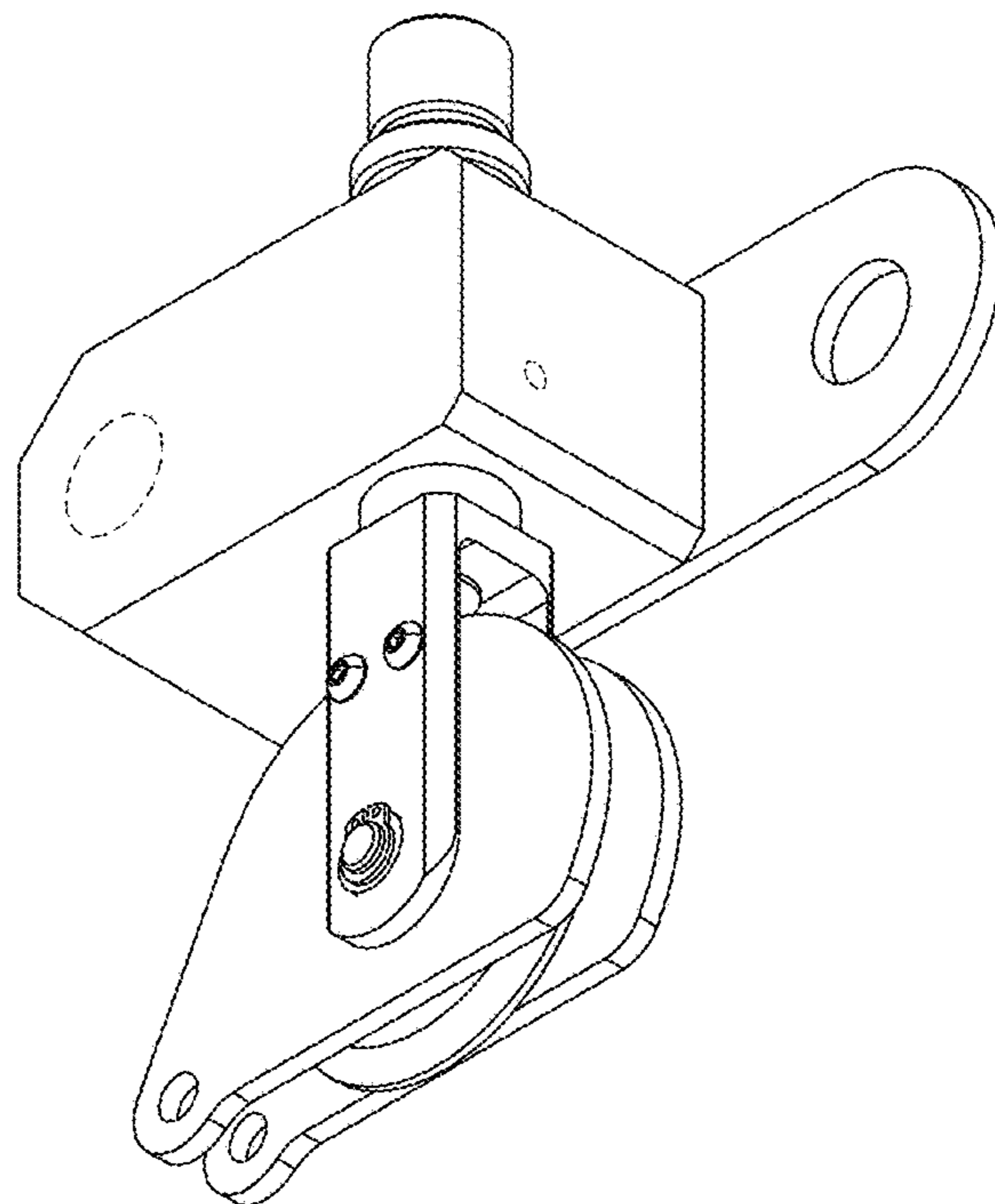
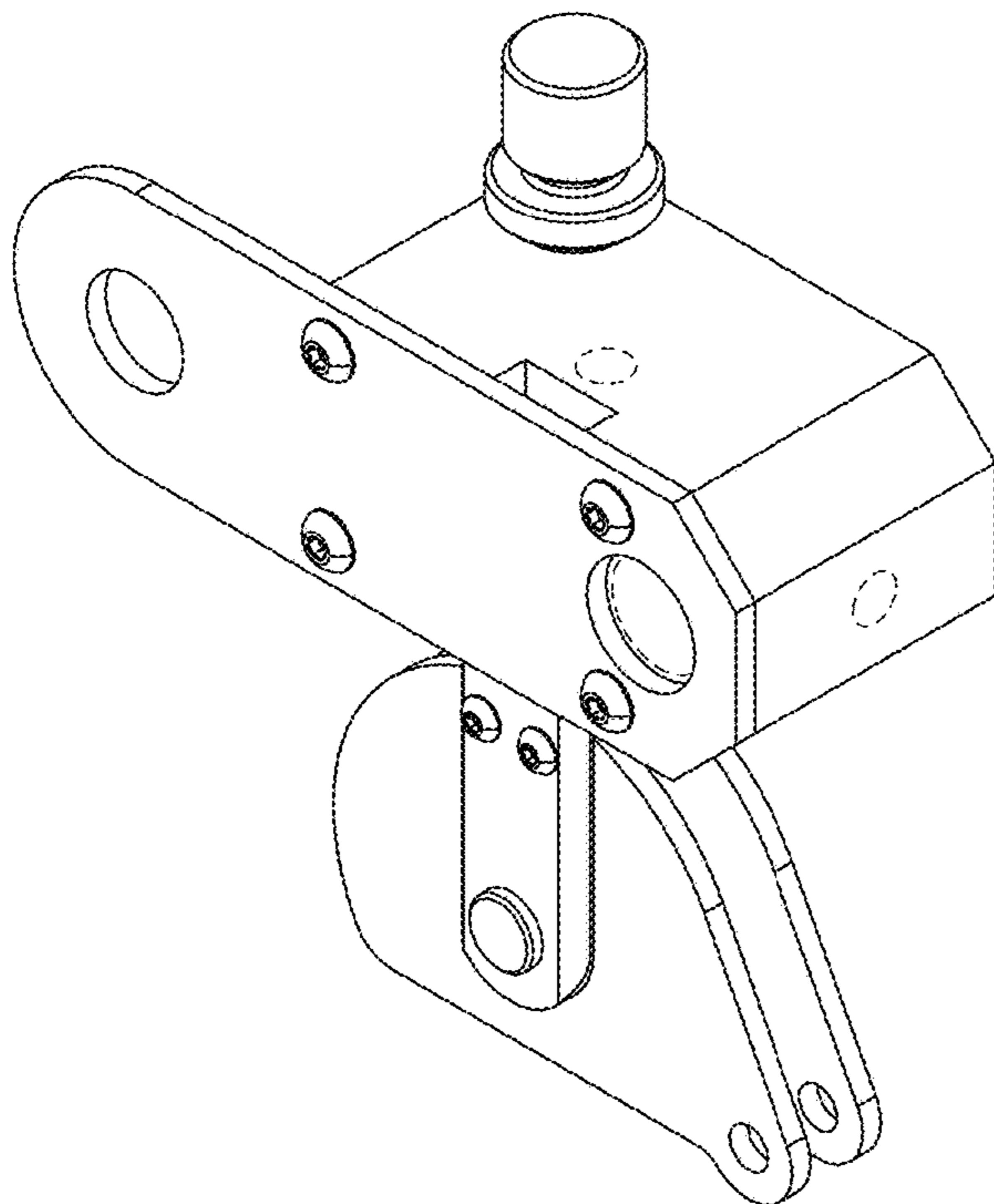
(57) **CLAIM**

The ornamental design for a perforating machine, as shown and described.

DESCRIPTION

FIG. 1 is a right side view of the perforating machine; FIG. 2 is a front view of the perforating machine; FIG. 3 is a top view of the perforating machine; FIG. 4 is a bottom view of the perforating machine; FIG. 5 is an upward-facing perspective view of the perforating machine; and, FIG. 6 is a right bottom-facing perspective view of the perforating machine.

1 Claim, 6 Drawing Sheets



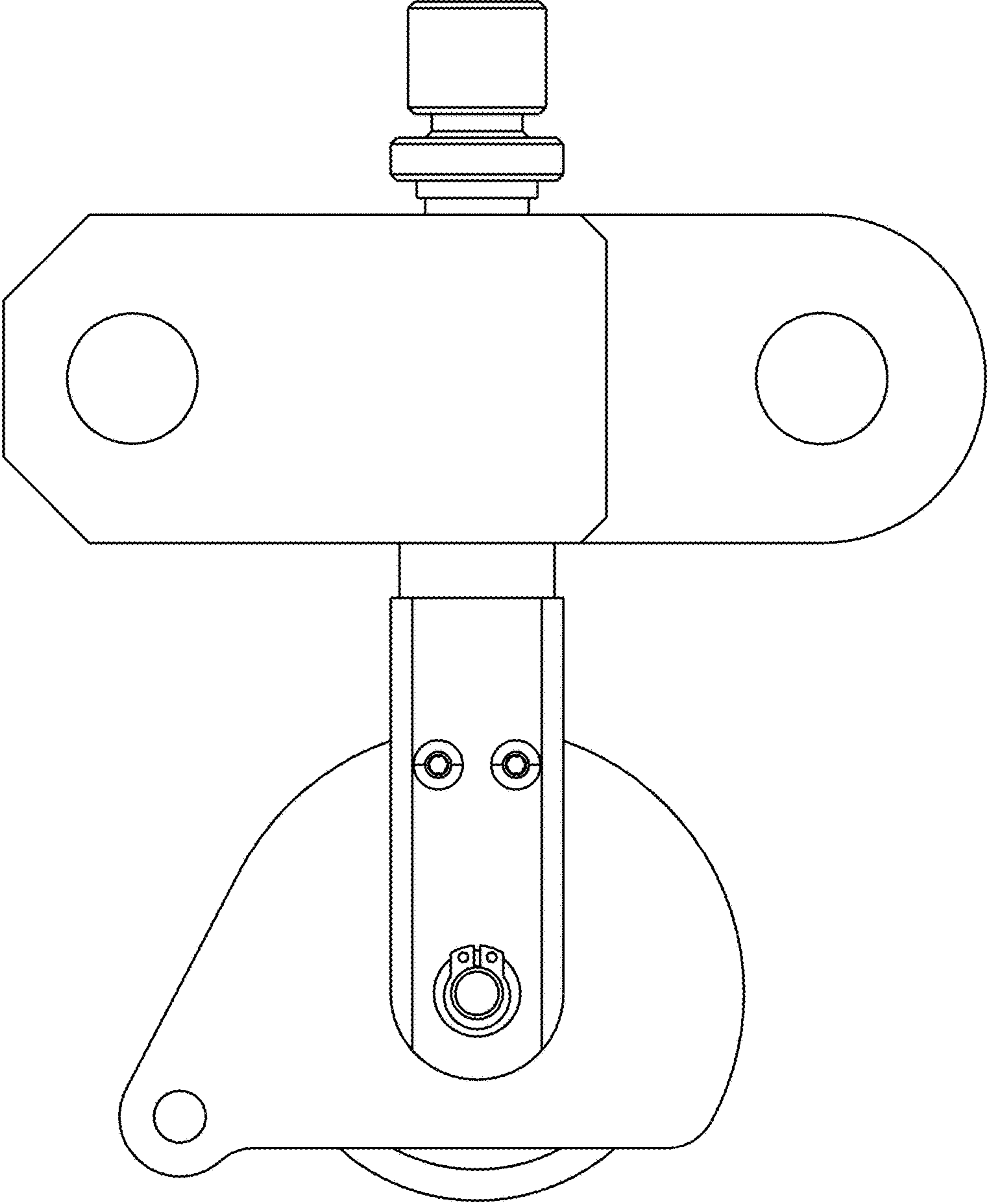


FIG 1

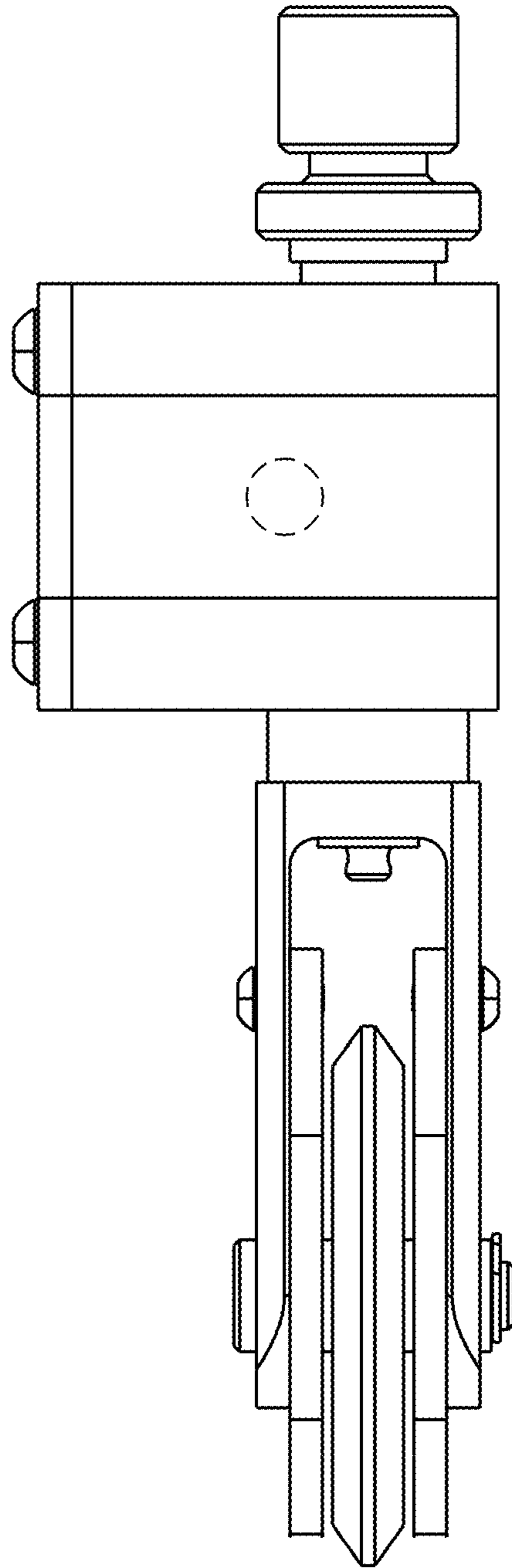


FIG 2

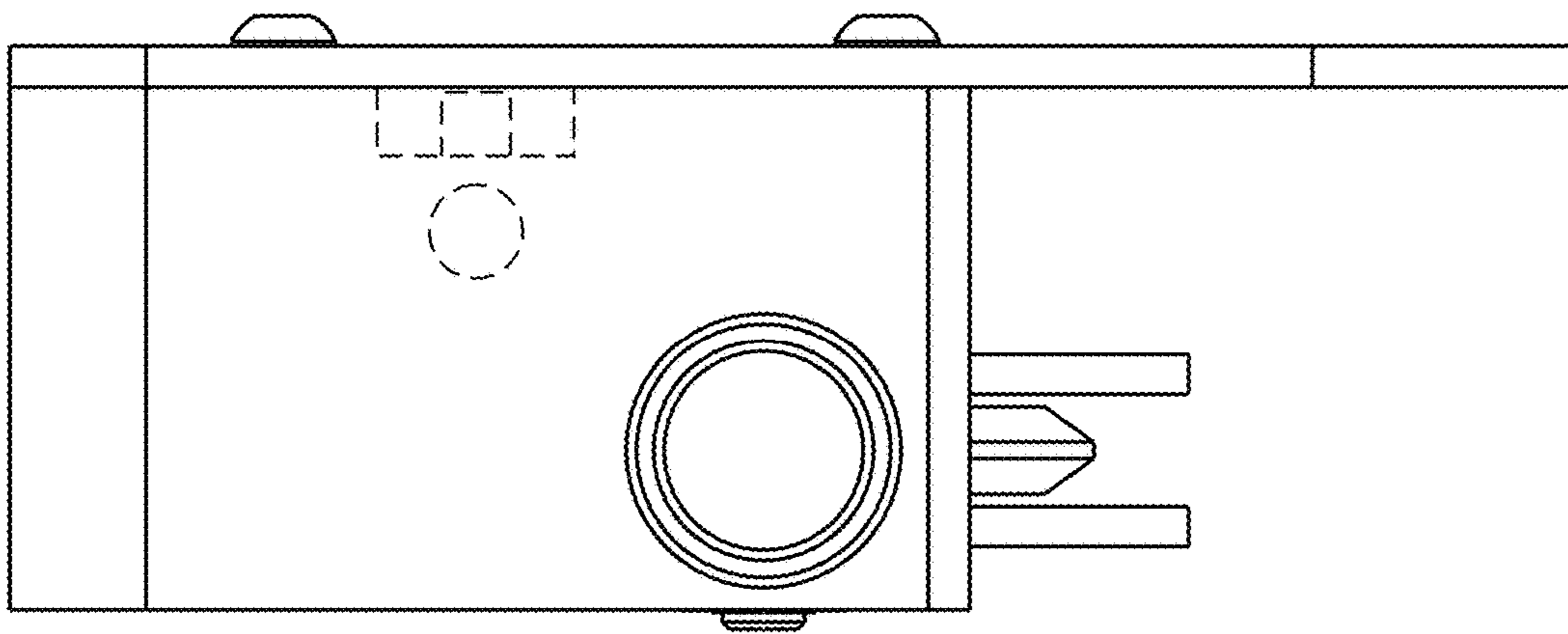


FIG 3

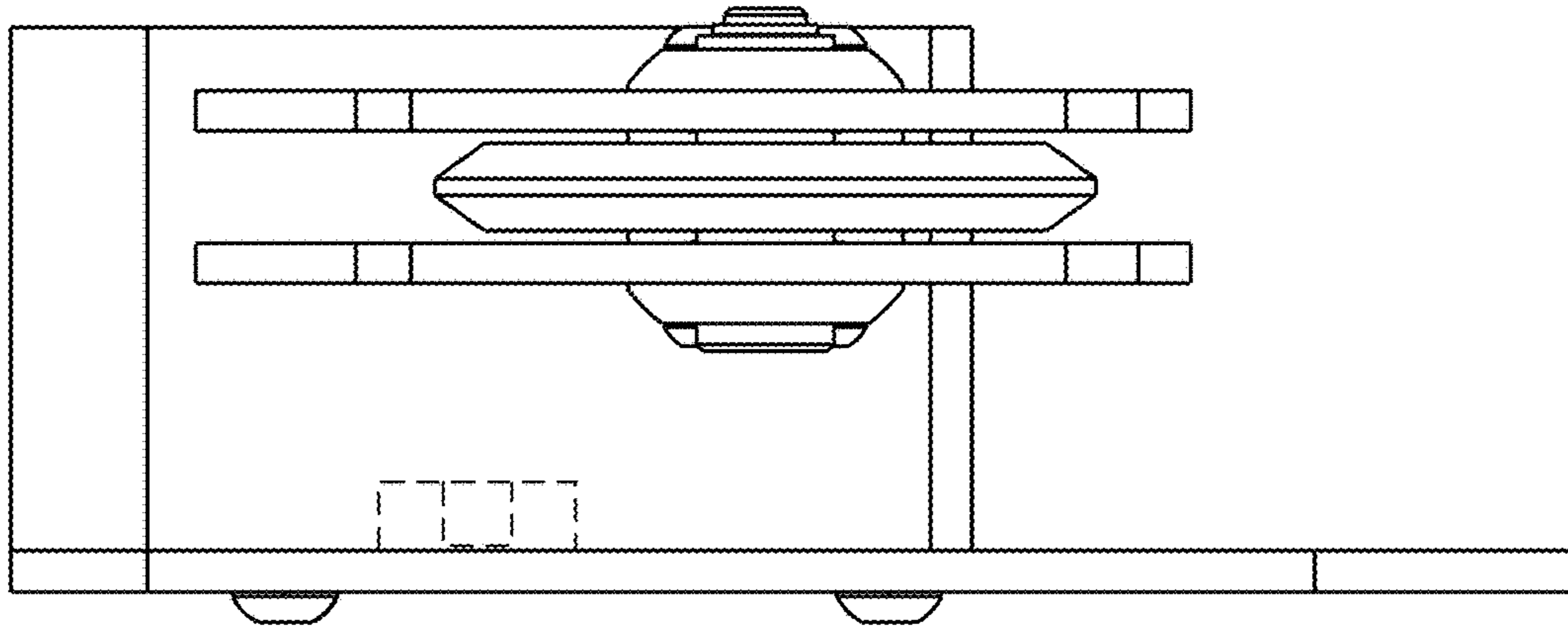


FIG 4

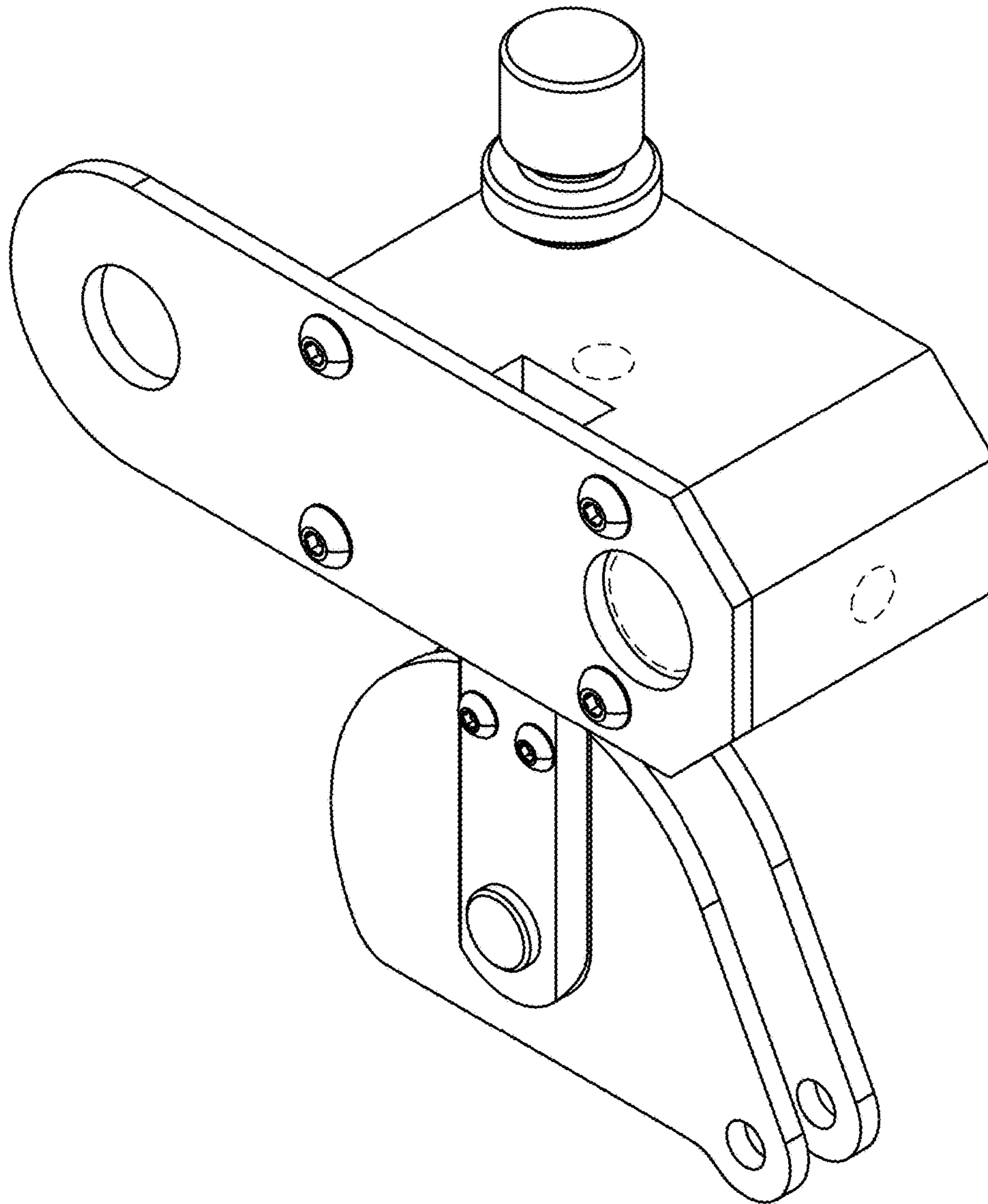


FIG 5

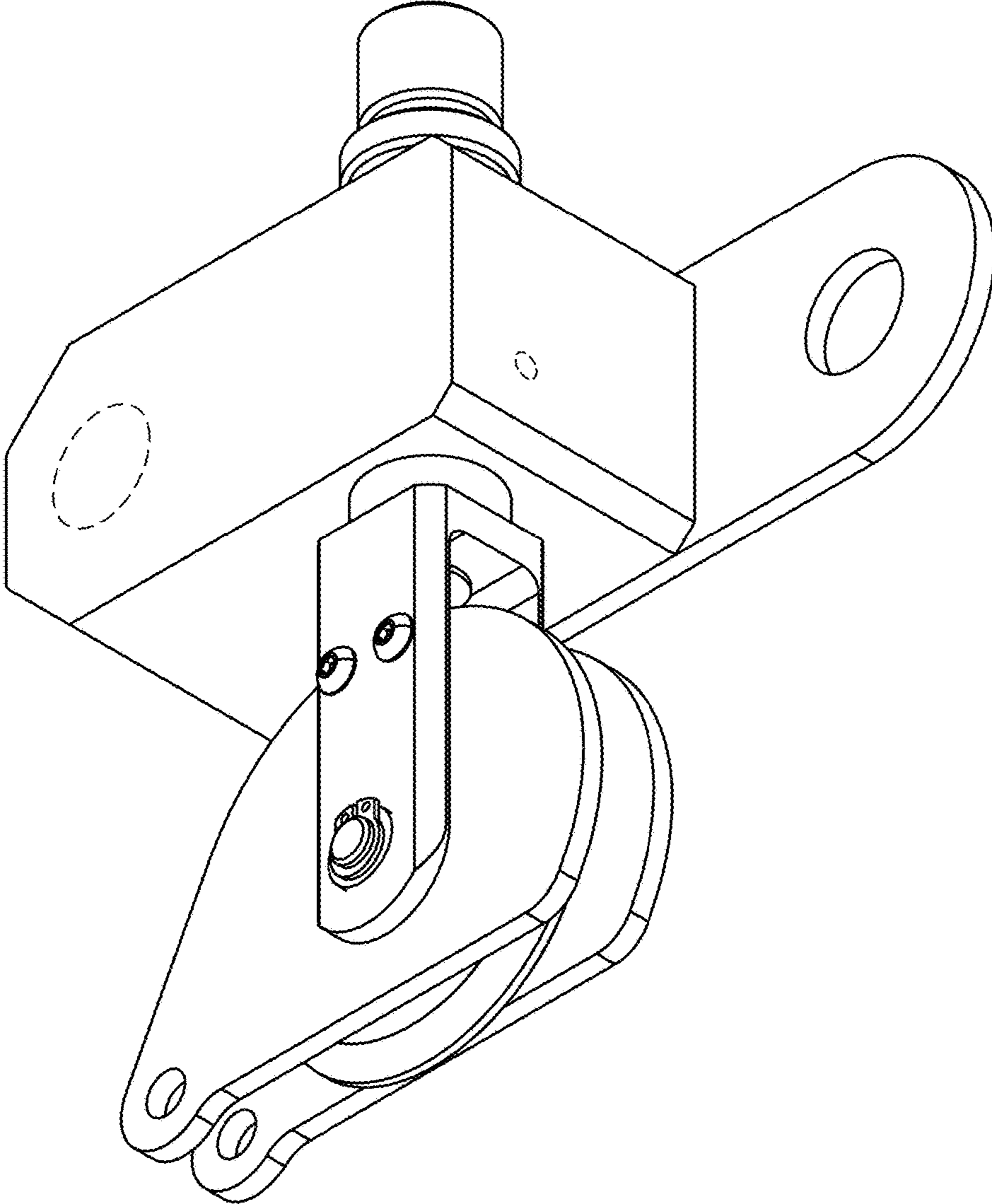


FIG 6