



US00D780241S

(12) **United States Design Patent**  
**Teraoka**

(10) **Patent No.:** **US D780,241 S**

(45) **Date of Patent:** **\*\* Feb. 28, 2017**

(54) **CONTROLLER FOR SOLDERING IRON**

(71) Applicant: **Hakko Corporation**, Naniwa-ku,  
Osaka-shi, Osaka (JP)

(72) Inventor: **Yoshitomo Teraoka**, Osaka (JP)

(73) Assignee: **HAKKO CORPORATION**, Osaka-shi,  
Osaka (JP)

(\*\*) Term: **15 Years**

(21) Appl. No.: **29/557,239**

(22) Filed: **Mar. 7, 2016**

(30) **Foreign Application Priority Data**

Nov. 27, 2015 (JP) ..... D2015-026448

(51) **LOC (10) Cl.** ..... **15-09**

(52) **U.S. Cl.**  
USPC ..... **D15/144.2**

(58) **Field of Classification Search**  
USPC ..... D8/29.1, 29.2, 30; D10/78; D14/126;  
D15/122, 144, 144.1, 144.2  
CPC ..... B23K 3/08; B23K 3/033; B23K 3/0369;  
G05D 23/2401  
See application file for complete search history.

(56) **References Cited**

**U.S. PATENT DOCUMENTS**

- 4,418,268 A \* 11/1983 Munshaw ..... B23K 3/027  
219/240
- D274,819 S \* 7/1984 Bouman ..... D15/144
- D274,882 S \* 7/1984 Rittmann ..... D15/144
- D398,016 S \* 9/1998 Neef ..... D15/144.2
- D415,435 S \* 10/1999 Yoshimura ..... D10/50
- D424,077 S \* 5/2000 Abed ..... D15/144
- D428,427 S \* 7/2000 Neef ..... D15/144.2

- D490,448 S \* 5/2004 Ishihara ..... D15/144
- D493,342 S \* 7/2004 Masaki ..... D13/123
- D508,930 S \* 8/2005 Crisler, III ..... D15/144
- D527,402 S \* 8/2006 Loch ..... D15/144.2
- D530,349 S \* 10/2006 Ishihara ..... D15/144.2
- D550,731 S \* 9/2007 Ishihara ..... D15/144.2
- D576,459 S \* 9/2008 Mochizuki ..... D8/30
- D590,853 S \* 4/2009 Yokoyama ..... D15/144.2
- D620,328 S \* 7/2010 Masaki ..... D8/30
- D623,206 S \* 9/2010 Mittmann ..... D15/144
- D656,525 S \* 3/2012 Mochizuki ..... D15/144.2
- D678,373 S \* 3/2013 Kita ..... D15/144.2
- D703,715 S \* 4/2014 Kita ..... D15/144

(Continued)

*Primary Examiner* — Patricia Palasik

(74) *Attorney, Agent, or Firm* — Squire Patton Boggs  
(US) LLP

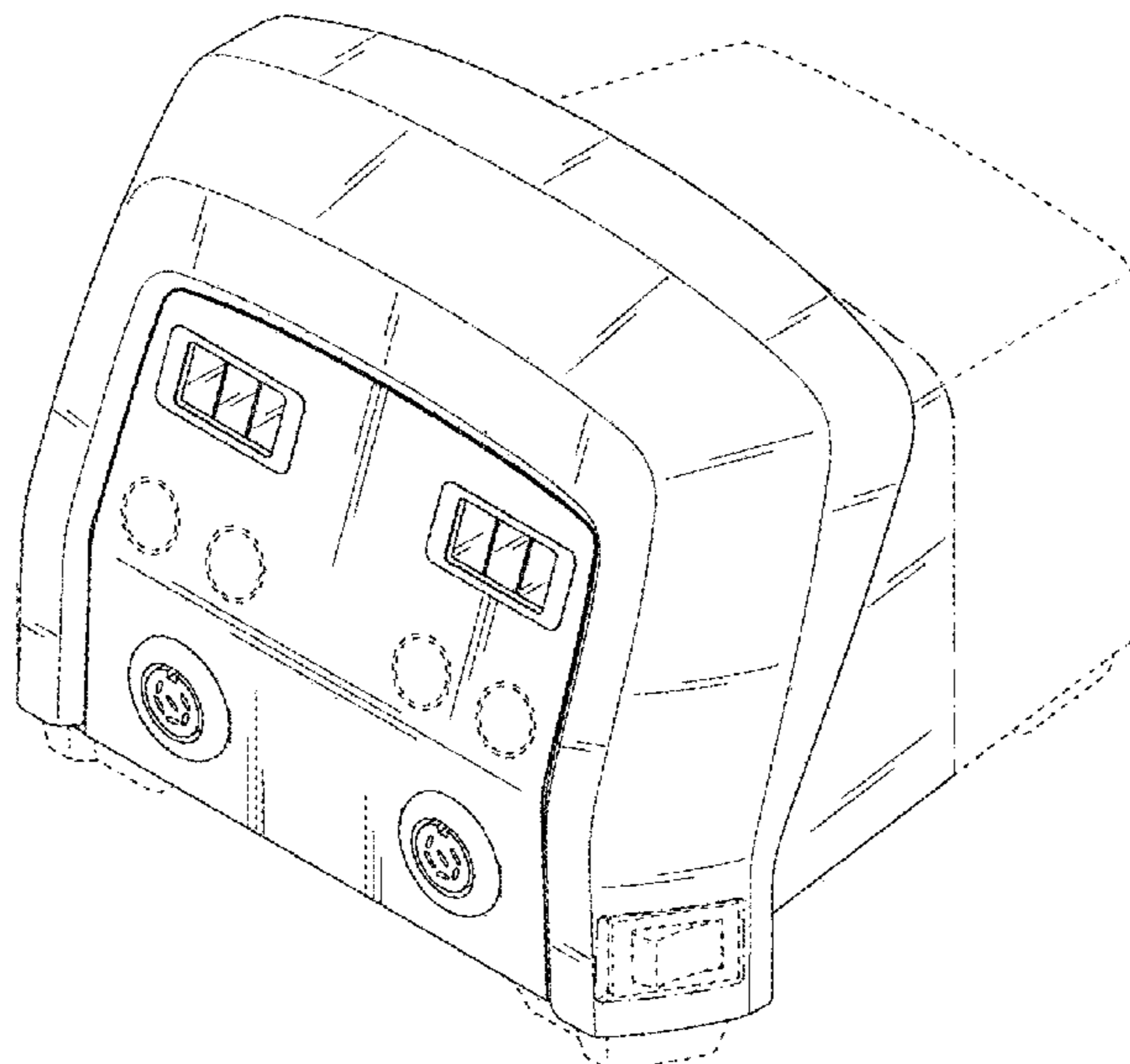
(57) **CLAIM**

The ornamental design for a controller for soldering iron, as shown and described.

**DESCRIPTION**

FIG. 1 is a first perspective view of a controller for soldering iron;  
 FIG. 2 is a second perspective view thereof;  
 FIG. 3 is a front view thereof;  
 FIG. 4 is a rear view thereof;  
 FIG. 5 is a left side view thereof;  
 FIG. 6 is a right side view thereof;  
 FIG. 7 is a top view thereof;  
 FIG. 8 is a bottom view thereof; and,  
 FIG. 9 is a cross-sectional view taken along line 9-9 in FIG. 3 thereof, in which the internal mechanism is omitted.  
 The broken lines in the drawings depict unclaimed environmental subject matter. The dash dot dash broken lines in the drawings depict the boundaries of the claimed design and form no part thereof.

**1 Claim, 9 Drawing Sheets**



(56)

**References Cited**

U.S. PATENT DOCUMENTS

D740,339 S \* 10/2015 Teraoka ..... D15/144.2  
D762,254 S \* 7/2016 Kita ..... D15/144.2  
D762,754 S \* 8/2016 Kita ..... D15/144.2  
2005/0263512 A1\* 12/2005 Fosbinder ..... B23K 9/1087  
219/132  
2015/0083707 A1\* 3/2015 Miyazaki ..... B23K 3/0353  
219/238  
2016/0175959 A1\* 6/2016 Mochizuki ..... B23K 1/0016  
228/20.5

\* cited by examiner

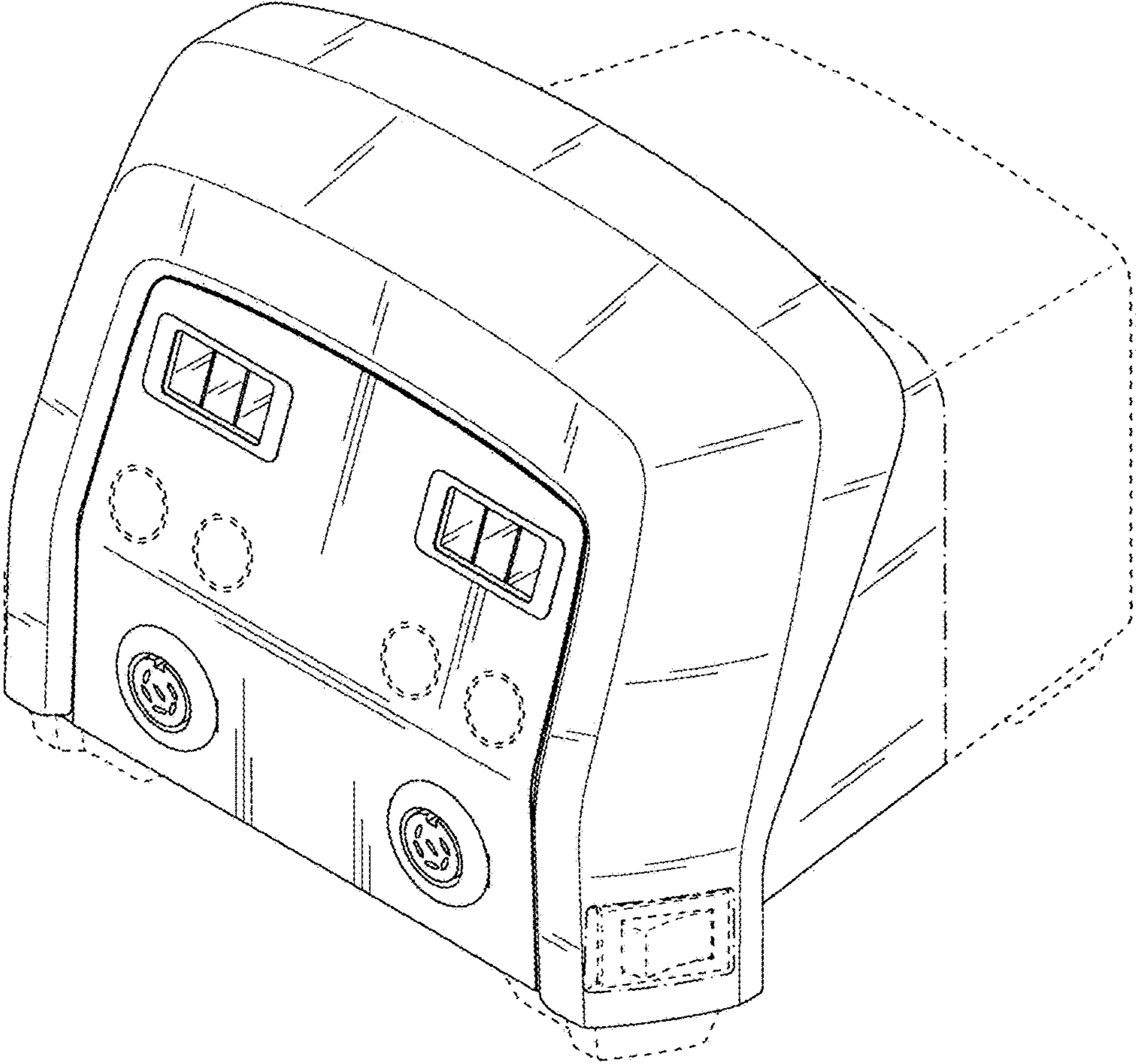


FIG.1

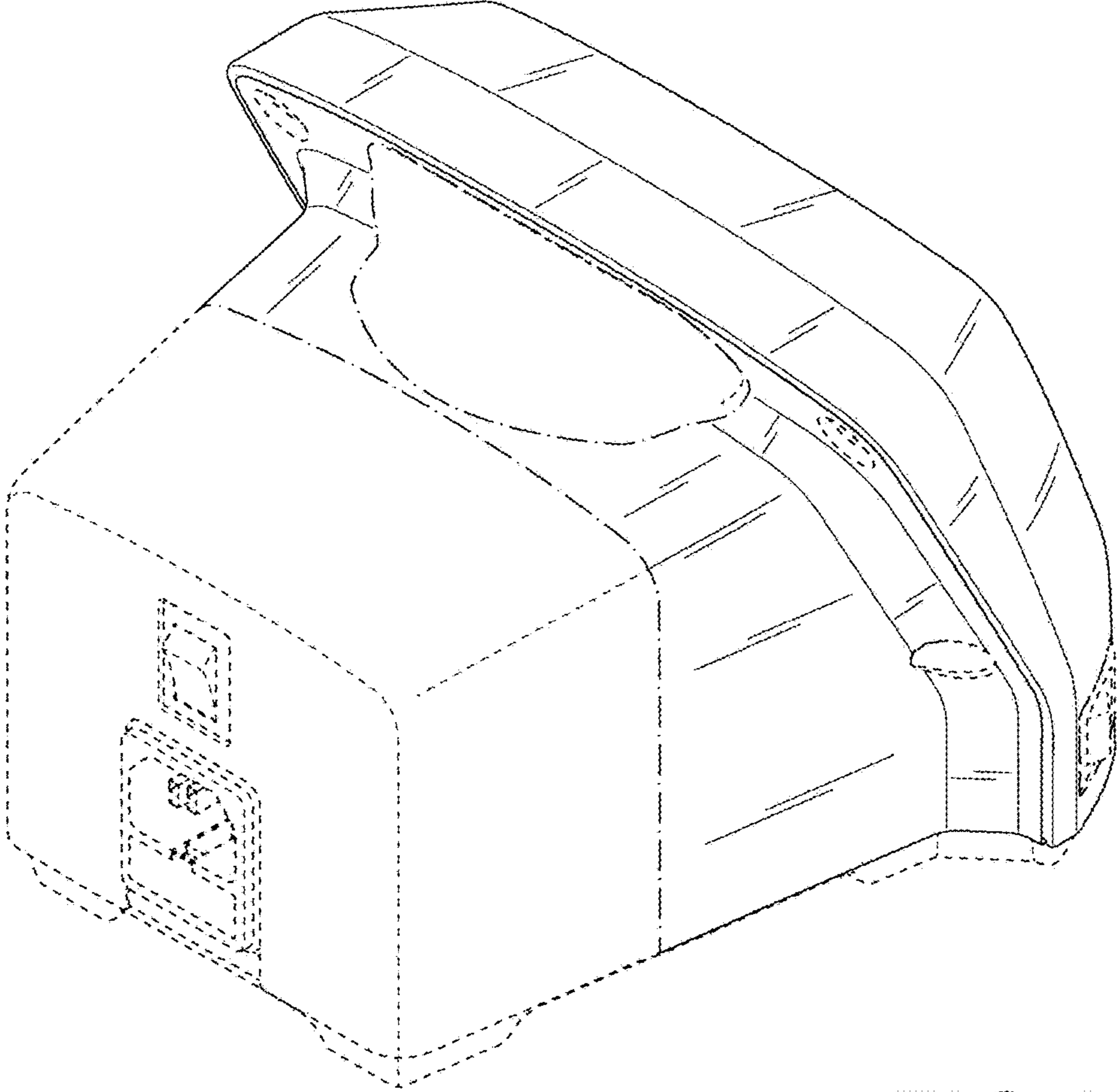


FIG.2

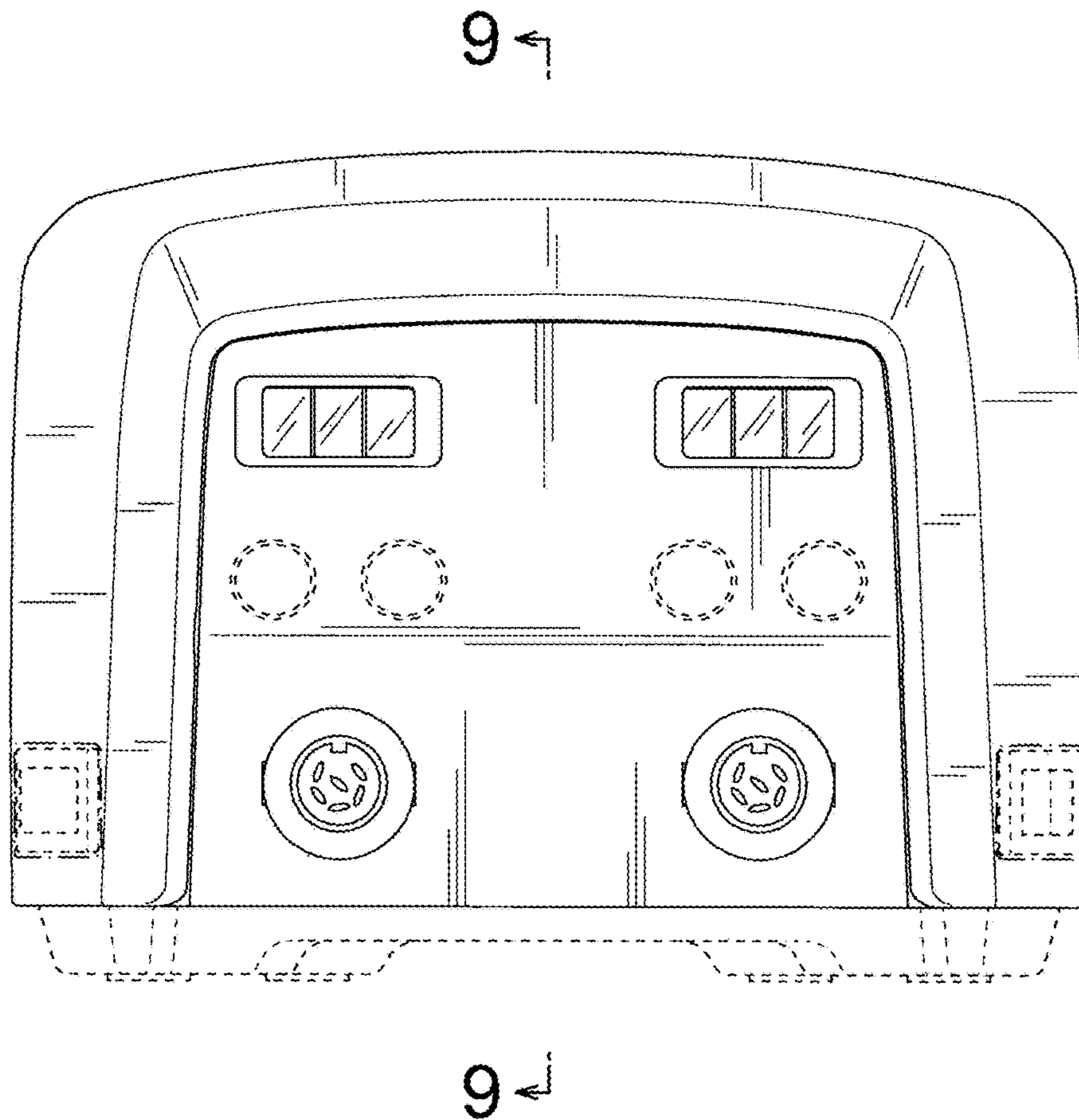


FIG.3

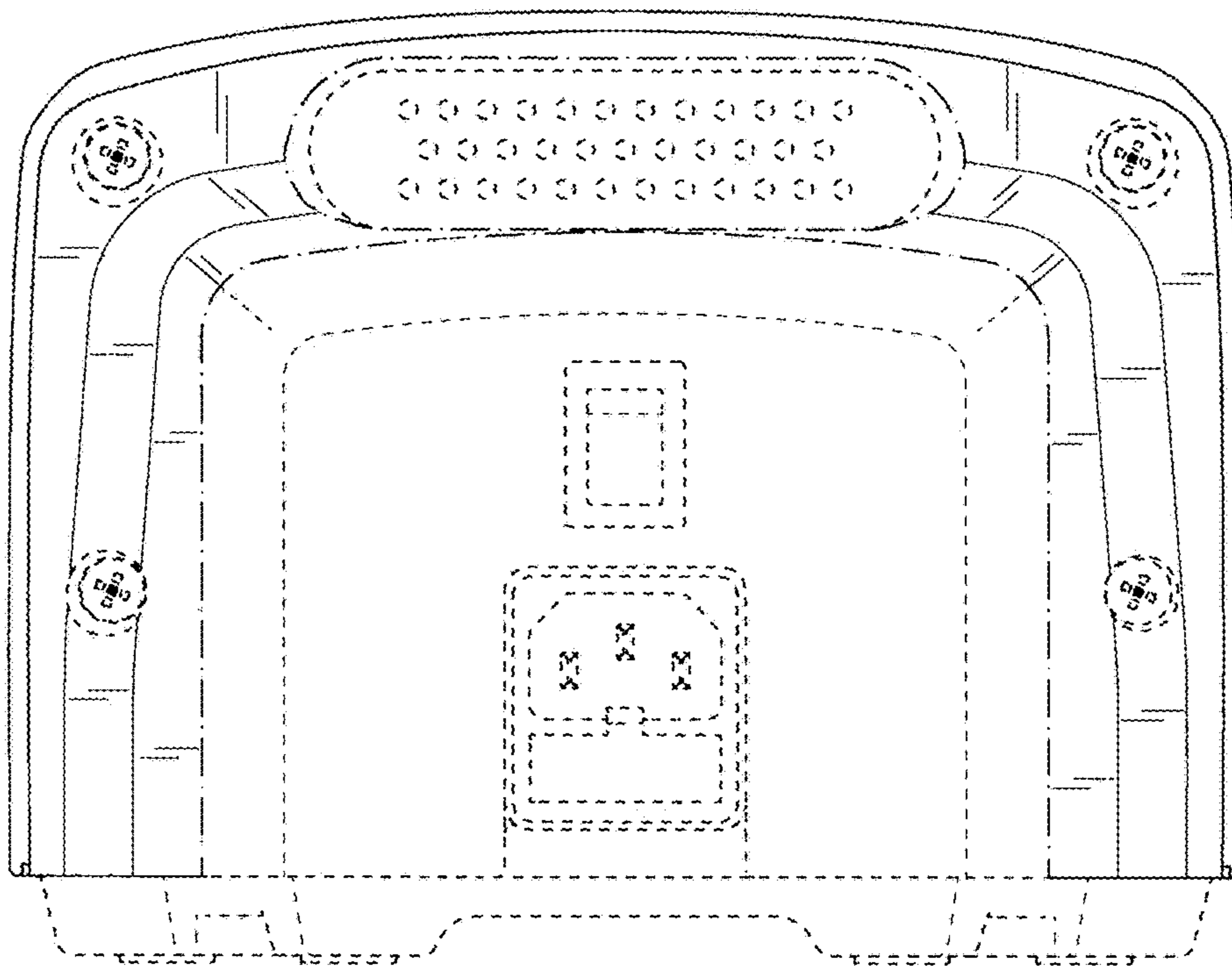


FIG.4

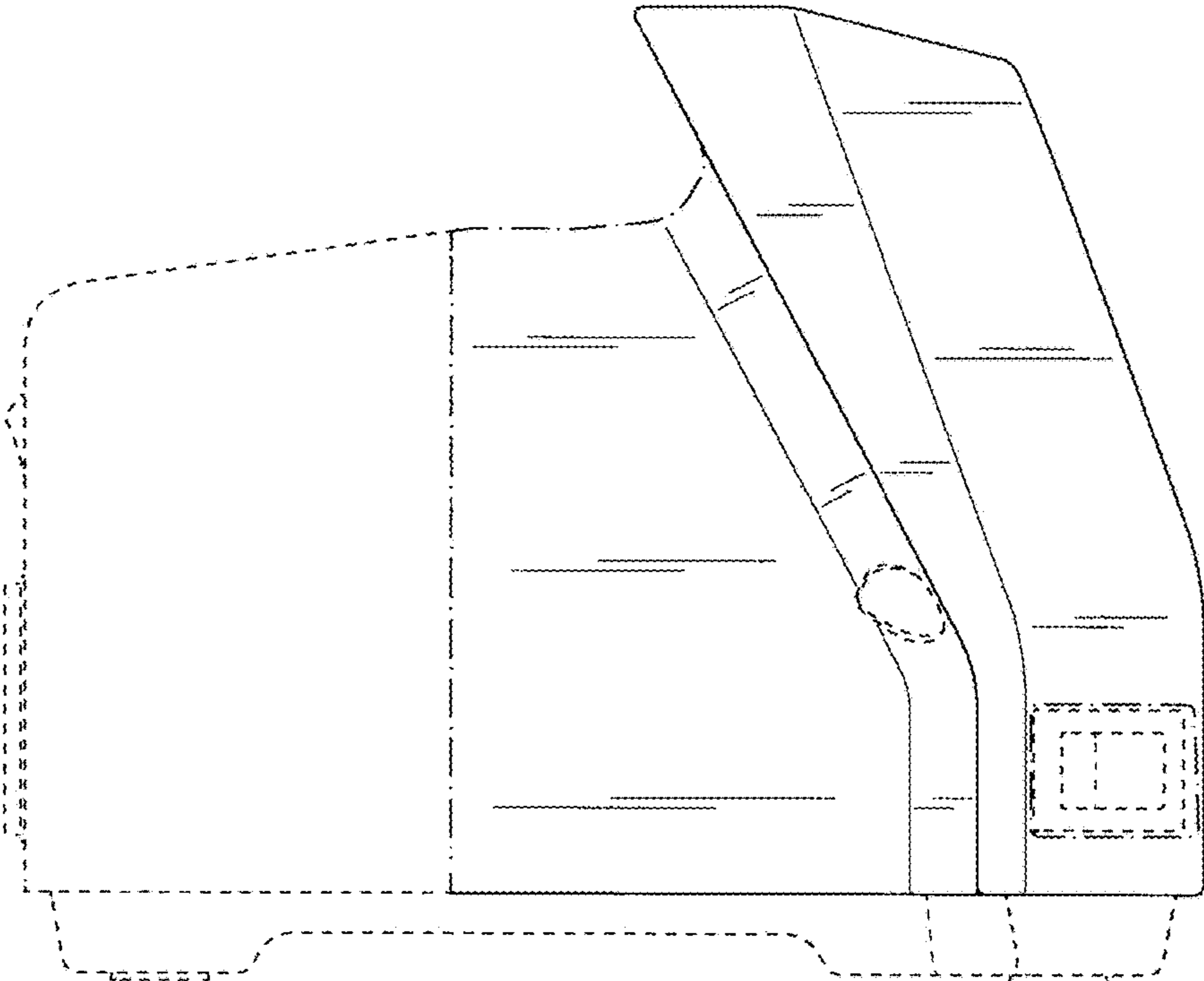


FIG. 5

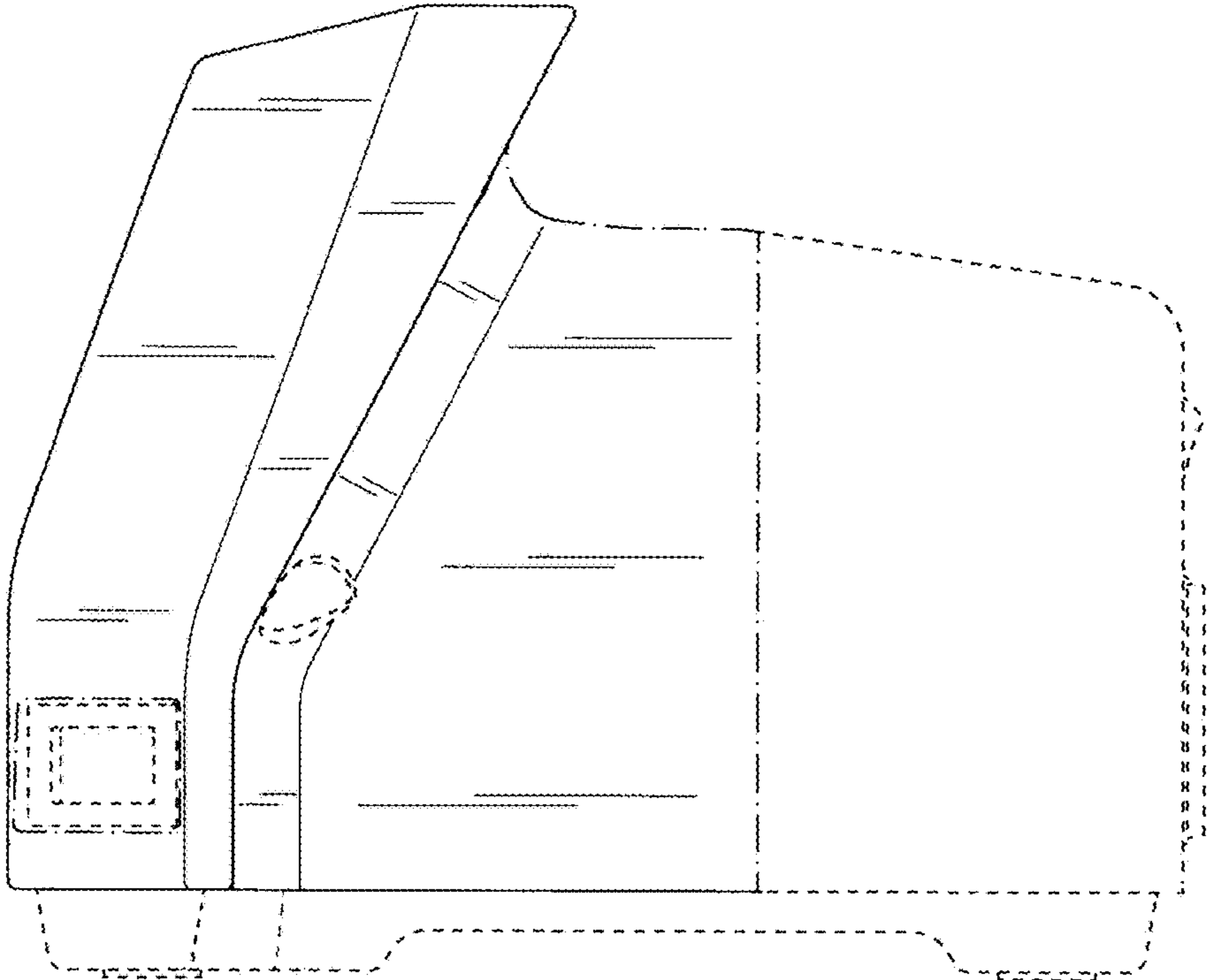


FIG.6



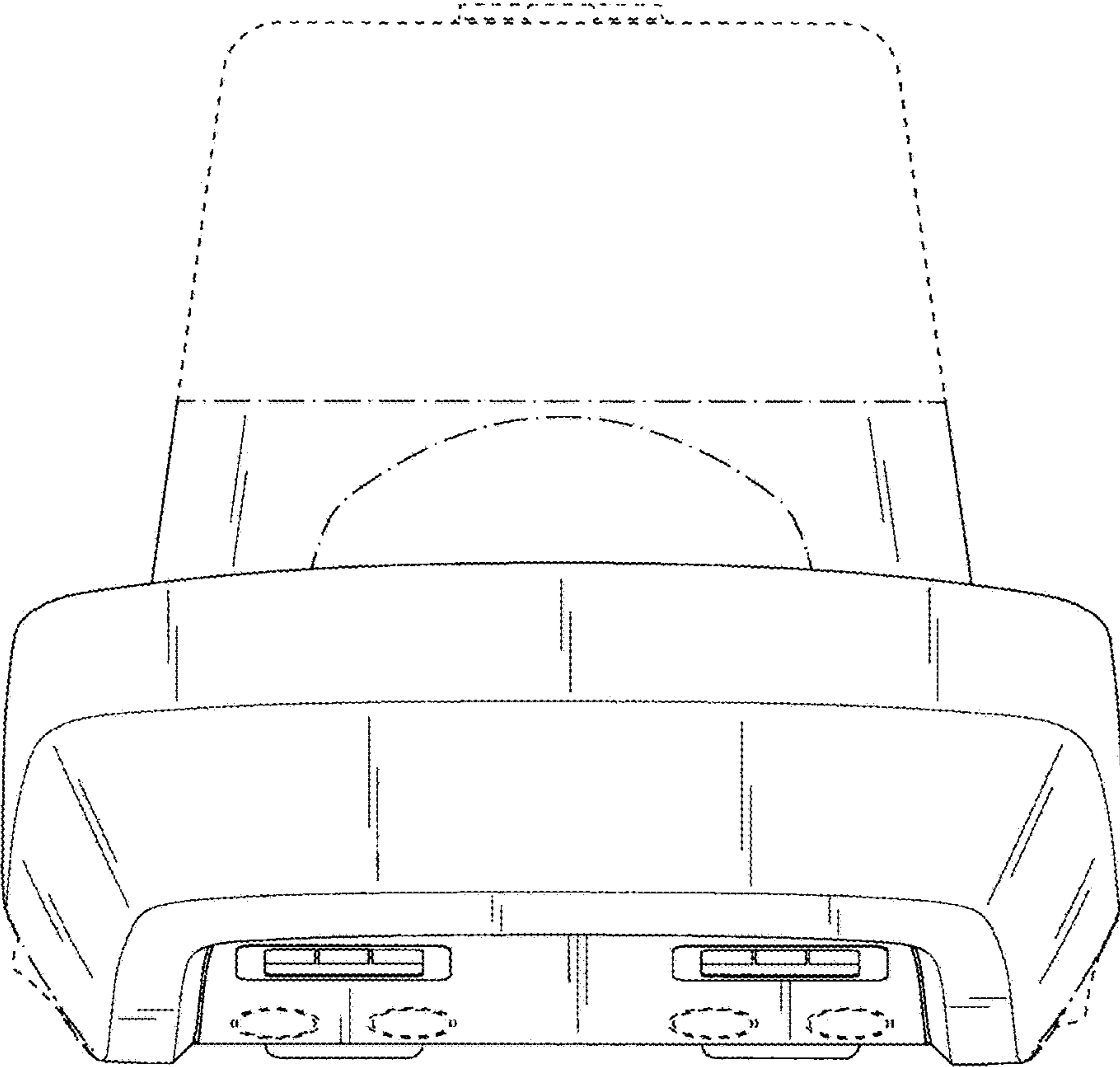


FIG.7

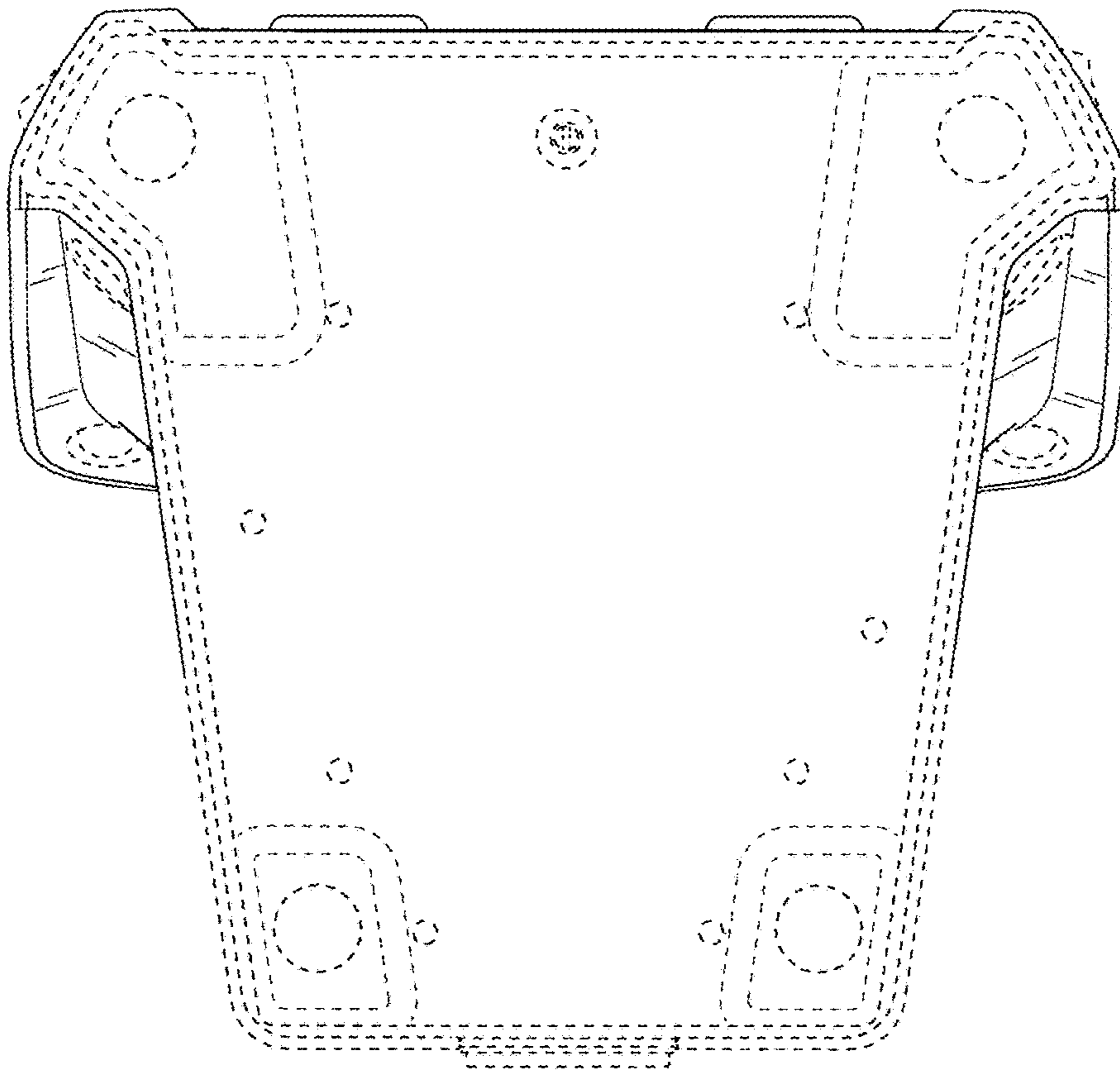


FIG.8

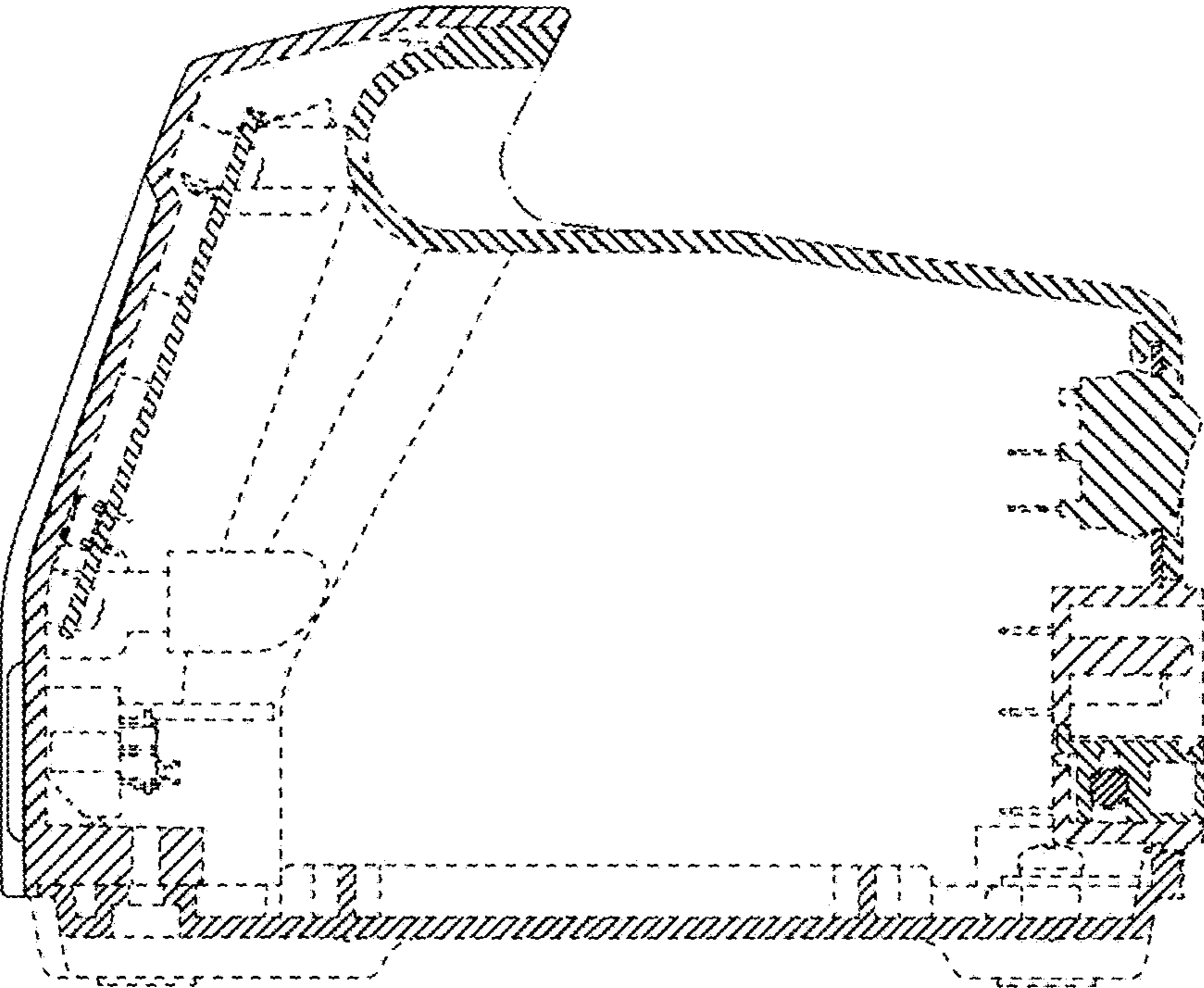


FIG. 9