



US00D780240S

(12) **United States Design Patent** (10) **Patent No.:** **US D780,240 S**
Burgler et al. (45) **Date of Patent:** **** Feb. 28, 2017**

(54) **WELDING MACHINE WITH CONTROL-DIAL AND DISPLAY**

(71) Applicant: **Leister Technologies AG**, Kagiswil (CH)
(72) Inventors: **Roger Burgler**, Ennetburgen (CH); **Haruka Shimazu**, Adligenswil (CH)
(73) Assignee: **Leister Technologies AG**, Kagiswil (CH)

(**) Term: **15 Years**

(21) Appl. No.: **29/553,568**
(22) Filed: **Feb. 3, 2016**
(30) **Foreign Application Priority Data**
Aug. 10, 2015 (EM) 002750950-0003
(51) **LOC (10) Cl.** **15-09**
(52) **U.S. Cl.**
USPC **D15/144**
(58) **Field of Classification Search**
USPC D8/29.1, 30; D15/144, 144.1, 144.2; 219/125.1, 130, 130.5, 132, 133, 241, 219/424, 606; 222/146.5, 152, 156, 222/189.06, 397; 228/8, 20
See application file for complete search history.

(56) **References Cited**
U.S. PATENT DOCUMENTS
6,596,972 B1 * 7/2003 Di Novo B23K 9/32 219/136
6,866,077 B2 * 3/2005 Zurmuhle B29C 65/10 156/391
D558,803 S * 1/2008 Gisler D15/144
7,427,726 B2 * 9/2008 Enyedy B23K 9/1336 219/136
D621,430 S * 8/2010 Christen D15/144
D642,604 S * 8/2011 Rohrer D15/144
D654,521 S * 2/2012 Flubacher D15/144

* cited by examiner

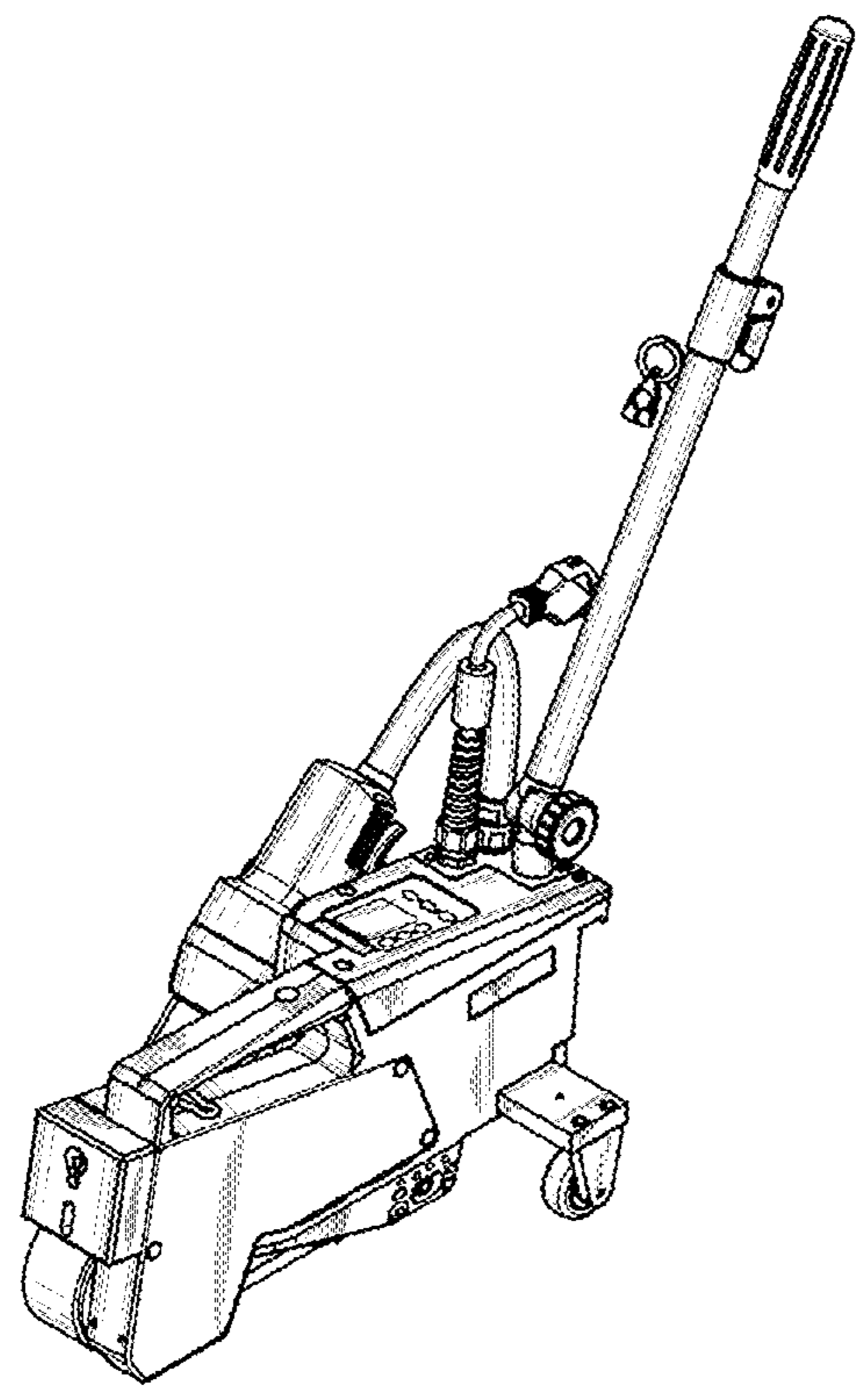
Primary Examiner — Patricia Palasik
(74) *Attorney, Agent, or Firm* — Charles H Jew

(57) **CLAIM**
The ornamental design for a welding machine with control dial and display, as shown and described.

DESCRIPTION

FIG. 1 is a front perspective view of a welding machine with control dial and display showing our new design;
FIG. 2 is a left side elevational view thereof;
FIG. 3 is a right side elevational view thereof;
FIG. 4 is a bottom plan view thereof;
FIG. 5 is a top plan view thereof;
FIG. 6 is a front elevational view thereof; and,
FIG. 7 is a rear elevational view thereof.

1 Claim, 4 Drawing Sheets



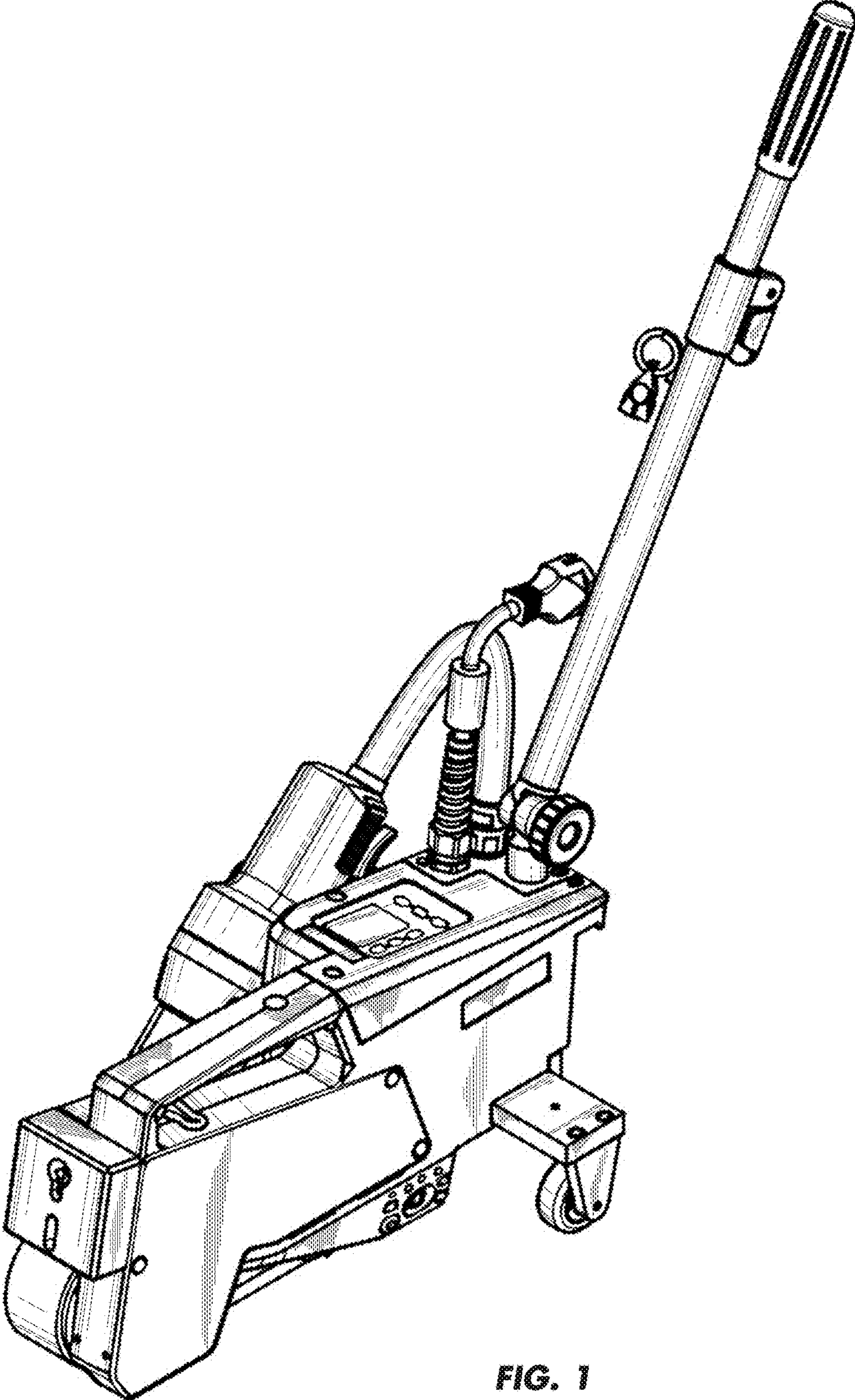


FIG. 1

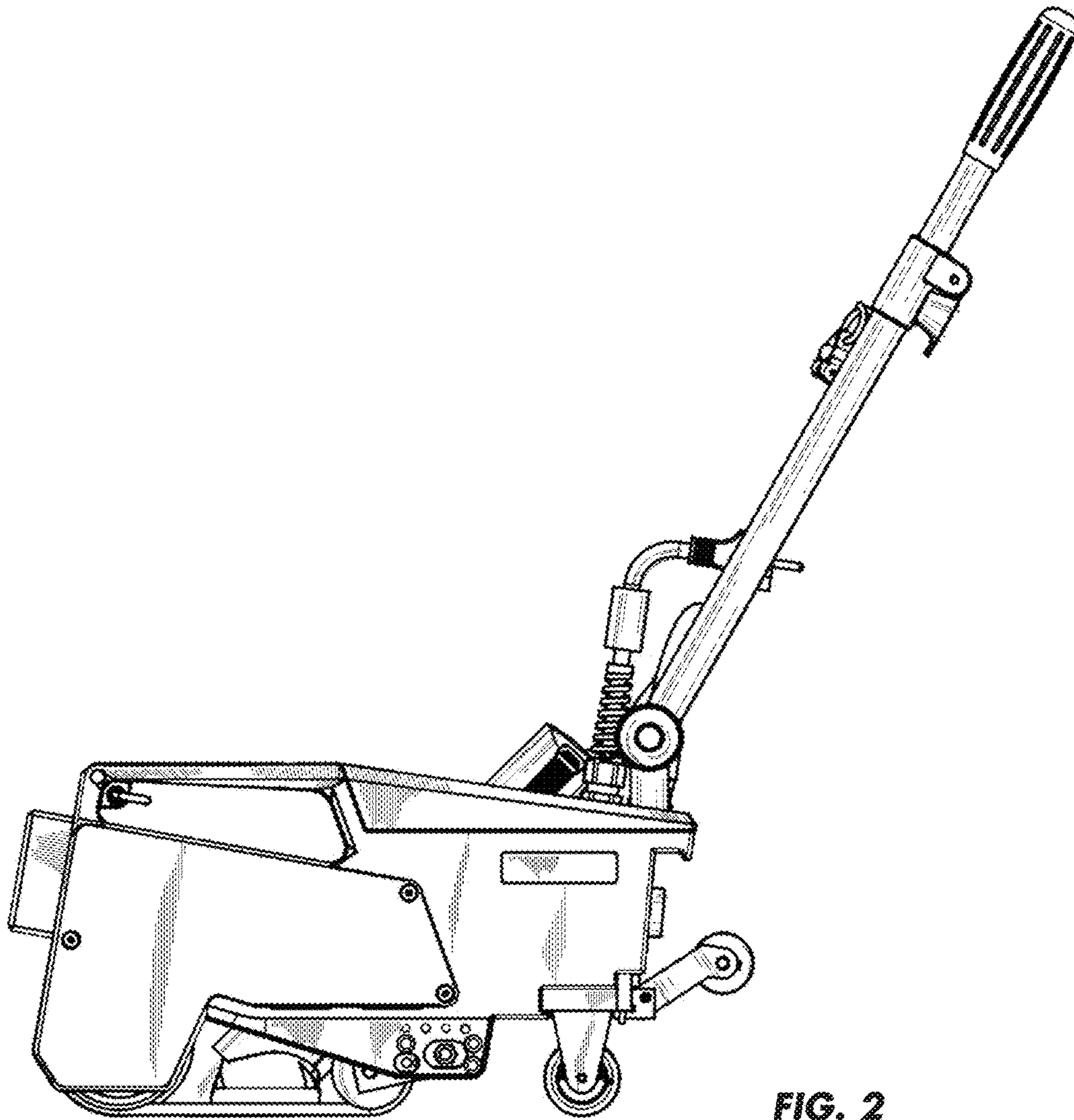


FIG. 2

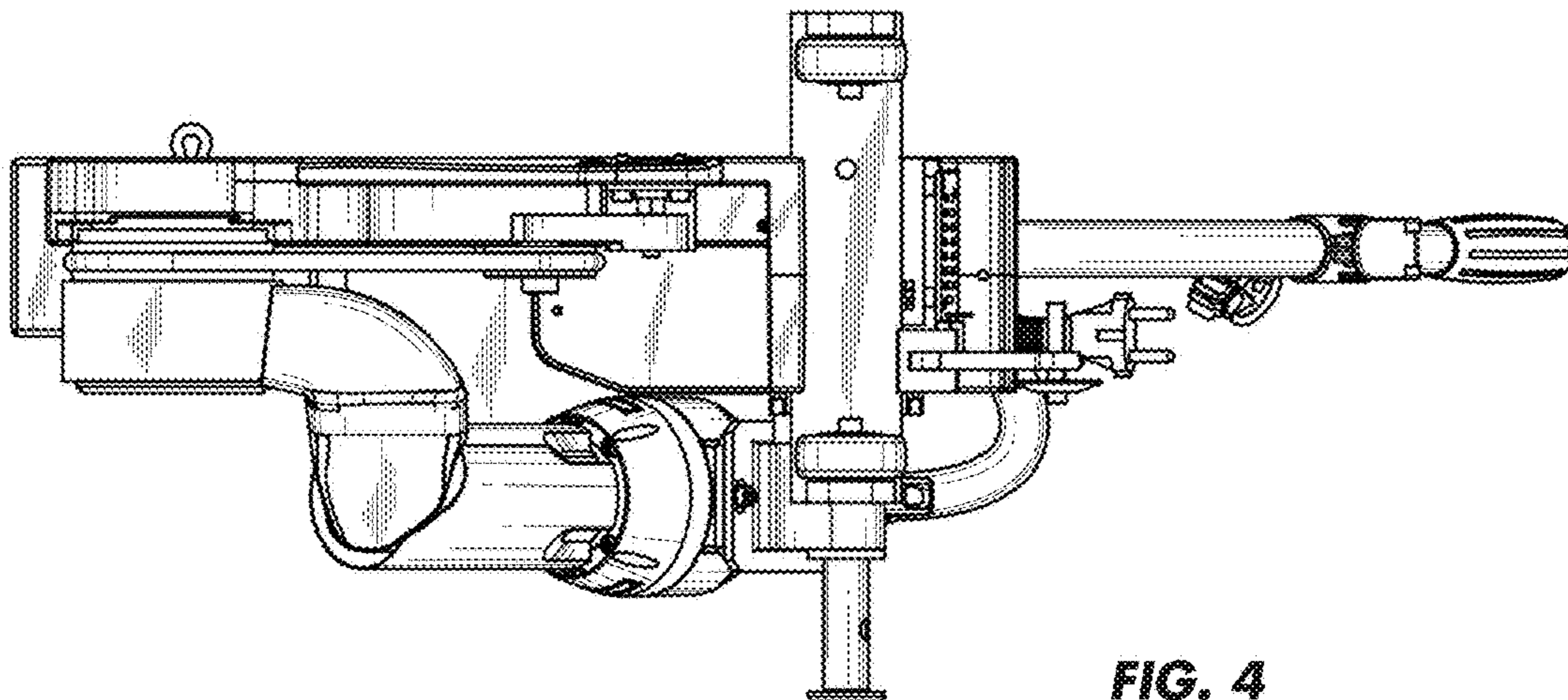


FIG. 4

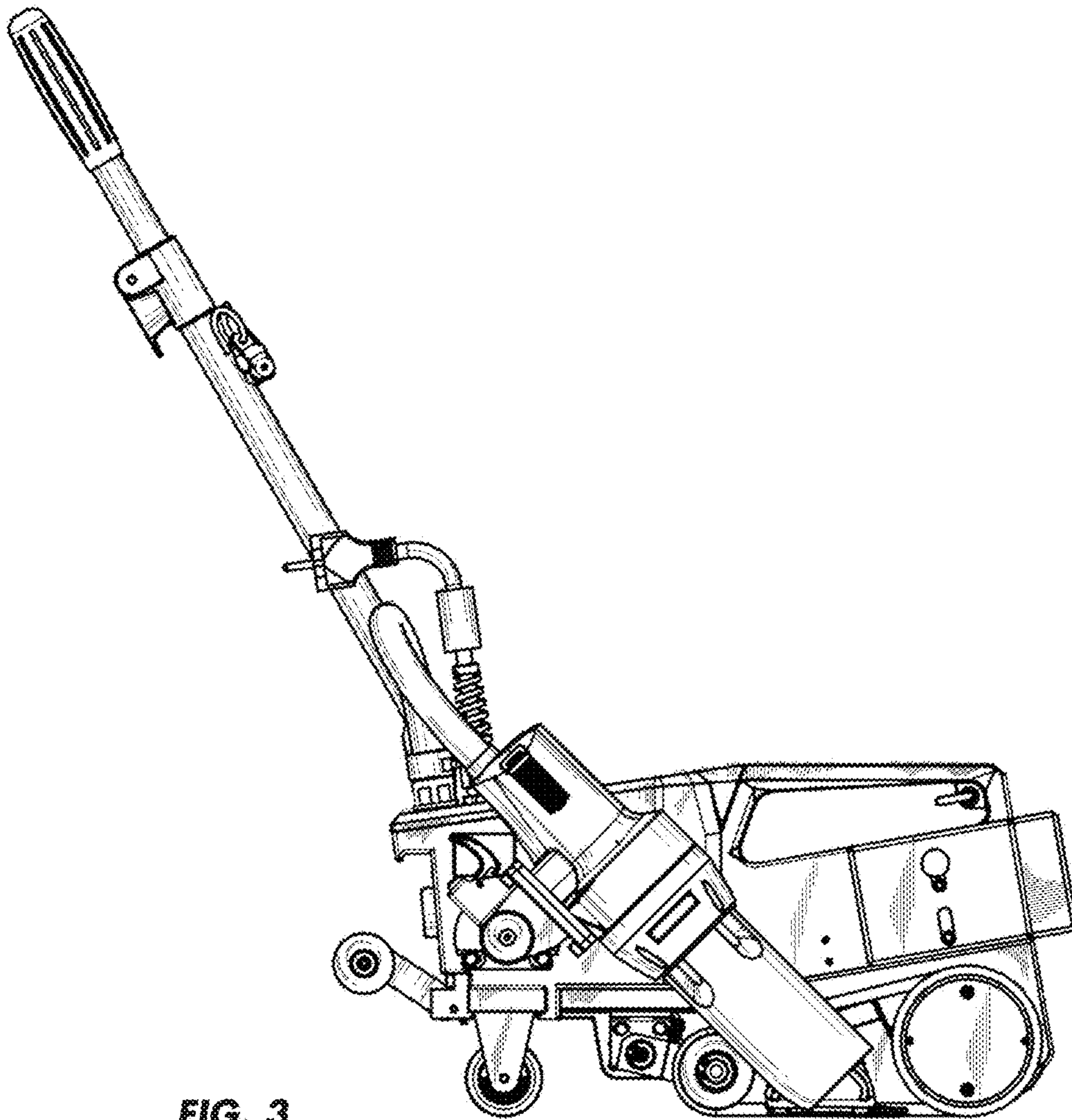


FIG. 3

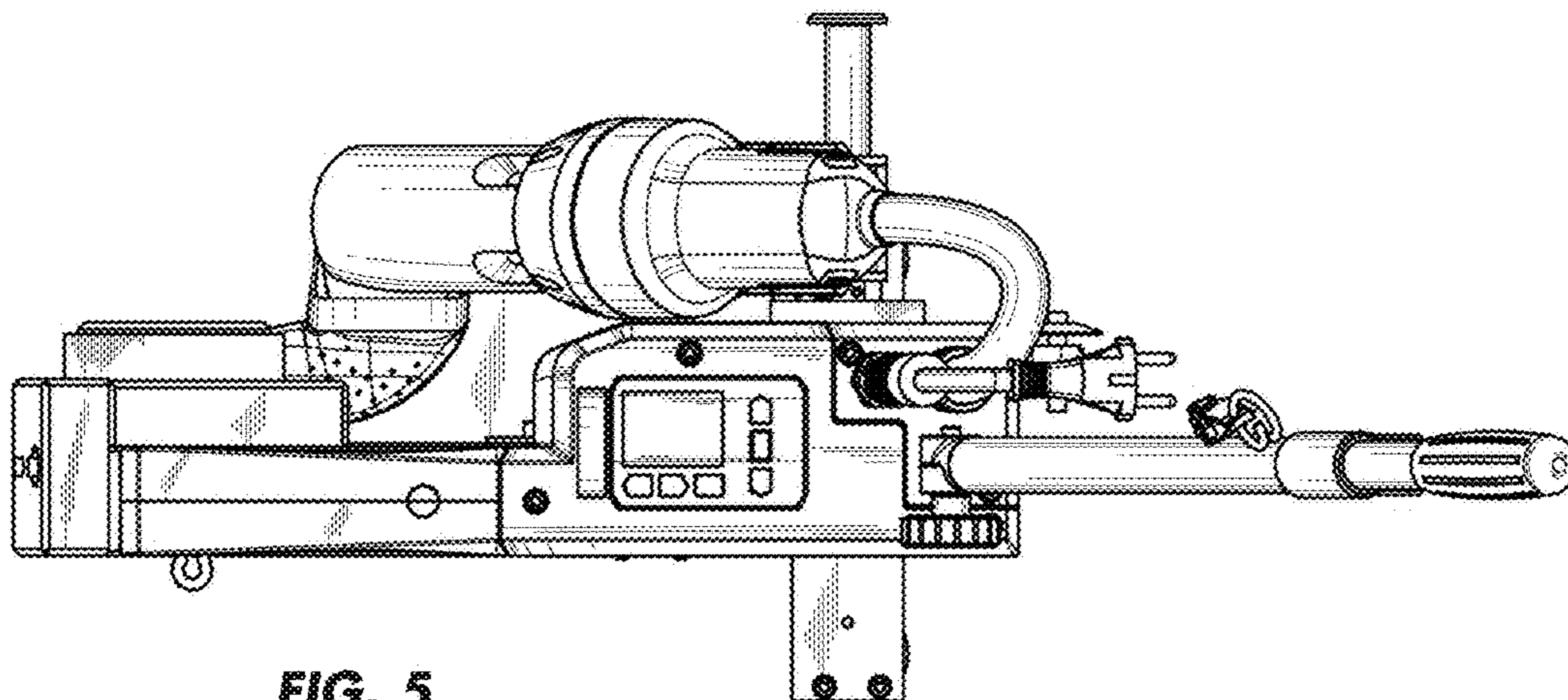


FIG. 5

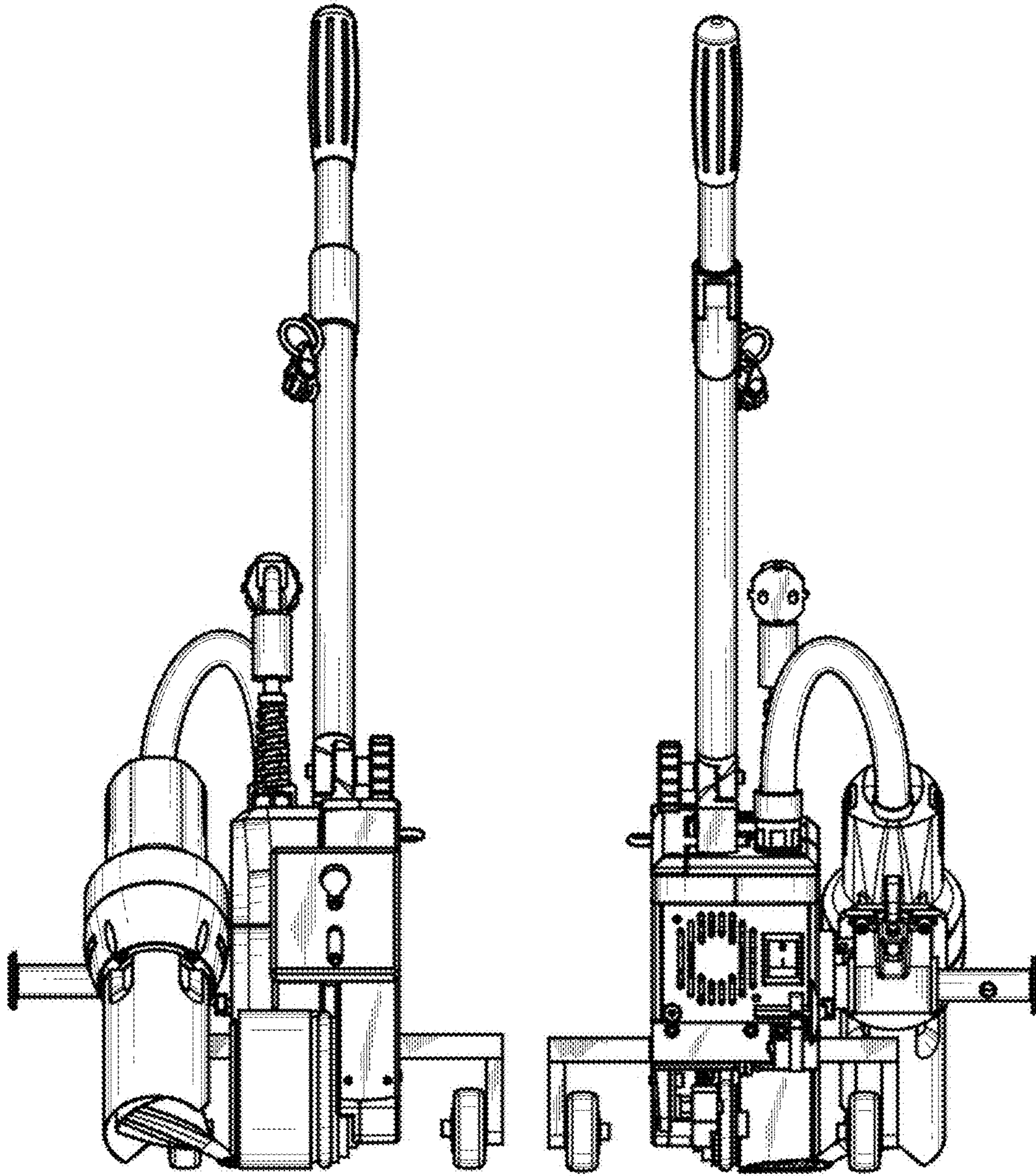


FIG. 6

FIG. 7