



US00D780239S

(12) **United States Design Patent** (10) **Patent No.:** **US D780,239 S**
Burgler et al. (45) **Date of Patent:** **** Feb. 28, 2017**

(54) **WELDING MACHINE WITH
 PUSH-BUTTONS AND DISPLAY**

(71) Applicant: **Leister Technologies AG**, Kagiswil
 (CH)

(72) Inventors: **Roger Burgler**, Ennetburgen (CH);
Haruka Shimazu, Adligenswil (CH)

(73) Assignee: **Leister Technologies AG**, Kagiswil
 (CH)

(**) Term: **15 Years**

(21) Appl. No.: **29/553,567**

(22) Filed: **Feb. 3, 2016**

(30) **Foreign Application Priority Data**

Aug. 10, 2015 (EM) 002750950-0001

(51) **LOC (10) Cl.** **15-09**

(52) **U.S. Cl.**
 USPC **D15/144**

(58) **Field of Classification Search**
 USPC D8/29.1, 30; D15/144, 144.1, 144.2;
 219/125.1, 130, 130.5, 132, 133, 241,
 219/424, 606; 222/146.5, 152, 156,
 222/189.06, 397; 228/8, 20

See application file for complete search history.

(56) **References Cited**

U.S. PATENT DOCUMENTS

6,596,972 B1 *	7/2003	Di Novo	B23K 9/32
				219/136
6,866,077 B2 *	3/2005	Zurmuhle	B29C 65/10
				156/391
D558,803 S *	1/2008	Gisler	D15/144
7,427,726 B2 *	9/2008	Enyedy	B23K 9/1336
				219/136
D621,430 S *	8/2010	Christen	D15/144
D642,604 S *	8/2011	Rohrer	D15/144
D654,521 S *	2/2012	Flubacher	D15/144

* cited by examiner

Primary Examiner — Patricia Palasik
 (74) *Attorney, Agent, or Firm* — Charles H. Jew

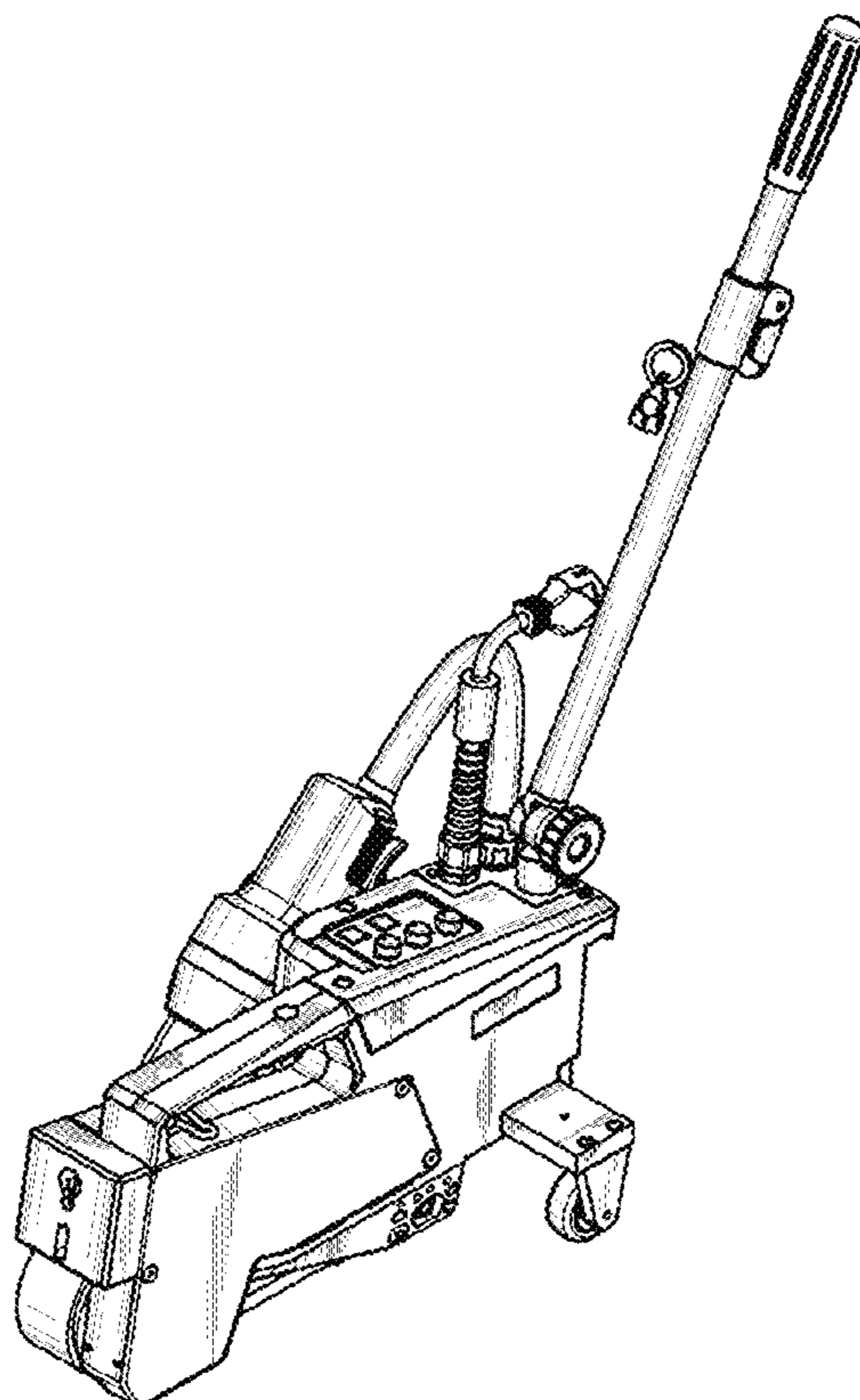
(57) **CLAIM**

The ornamental design for a welding machine with push-buttons and display, as shown and described.

DESCRIPTION

FIG. 1 is a front perspective view of a welding machine with push-buttons and display showing our new design;
 FIG. 2 is a left side elevational view thereof;
 FIG. 3 is a right side elevational view thereof;
 FIG. 4 is a bottom plan view thereof;
 FIG. 5 is a top plan view thereof;
 FIG. 6 is a front elevational view thereof; and,
 FIG. 7 is a rear elevational view thereof.

1 Claim, 4 Drawing Sheets



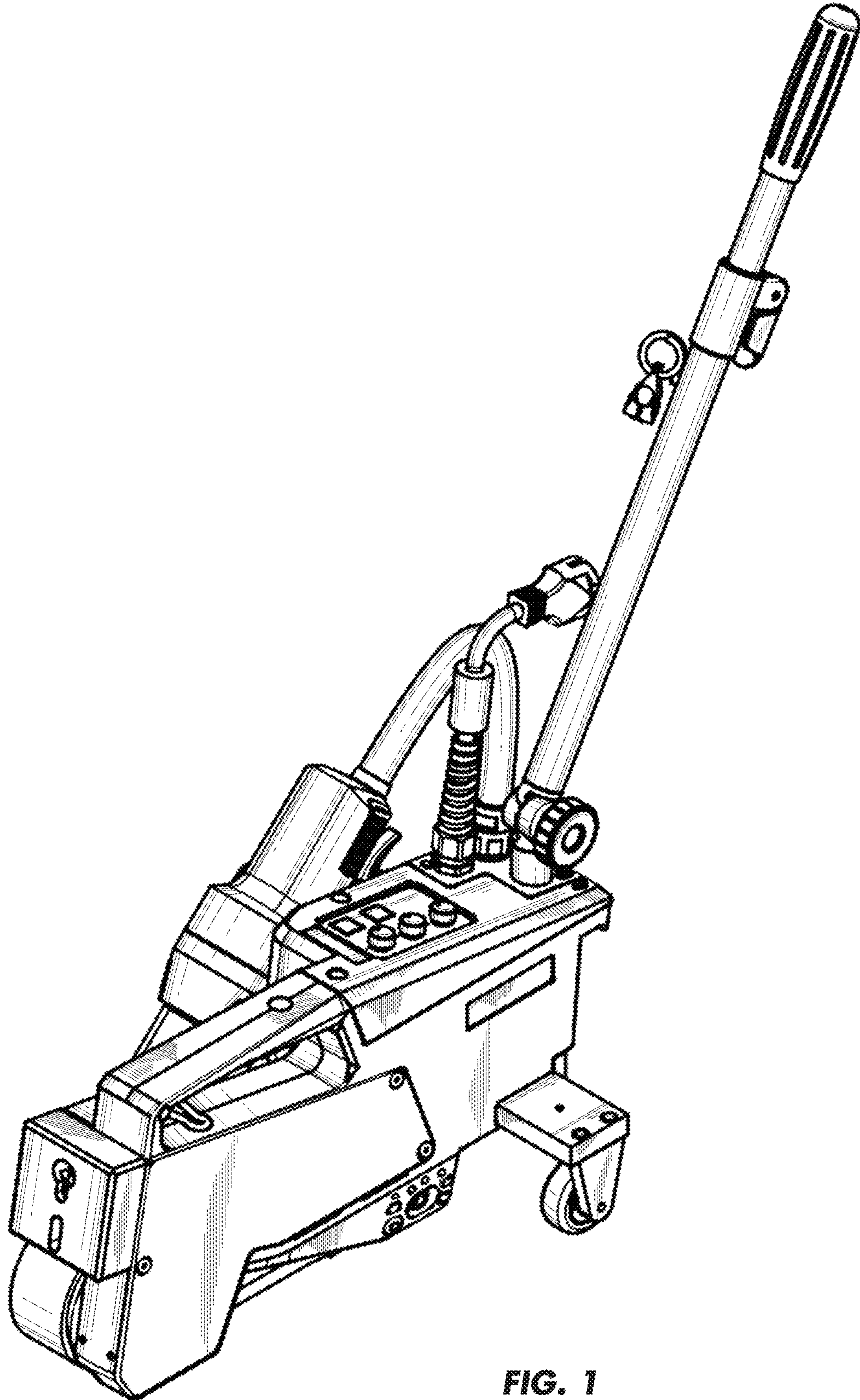


FIG. 1

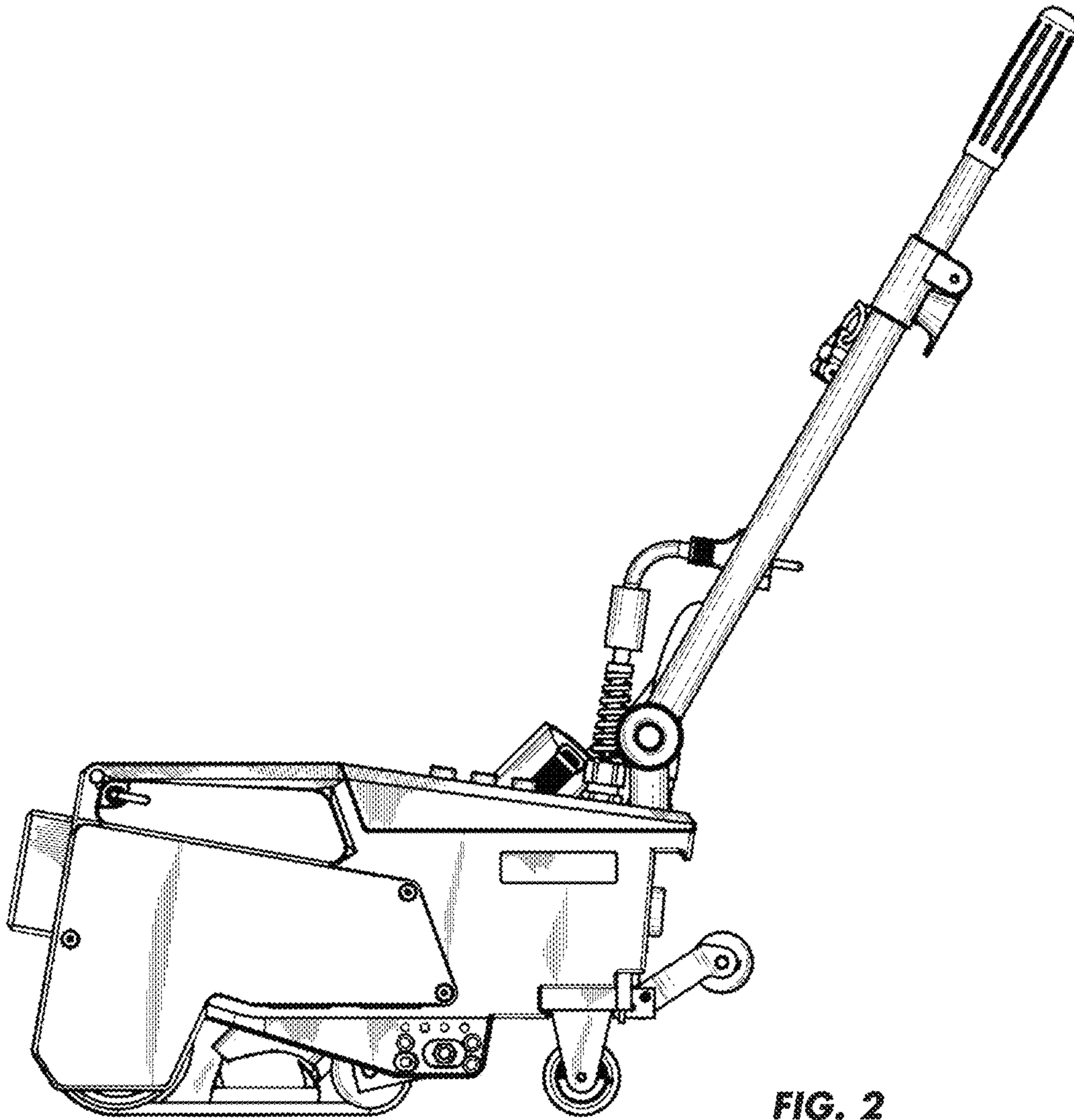


FIG. 2

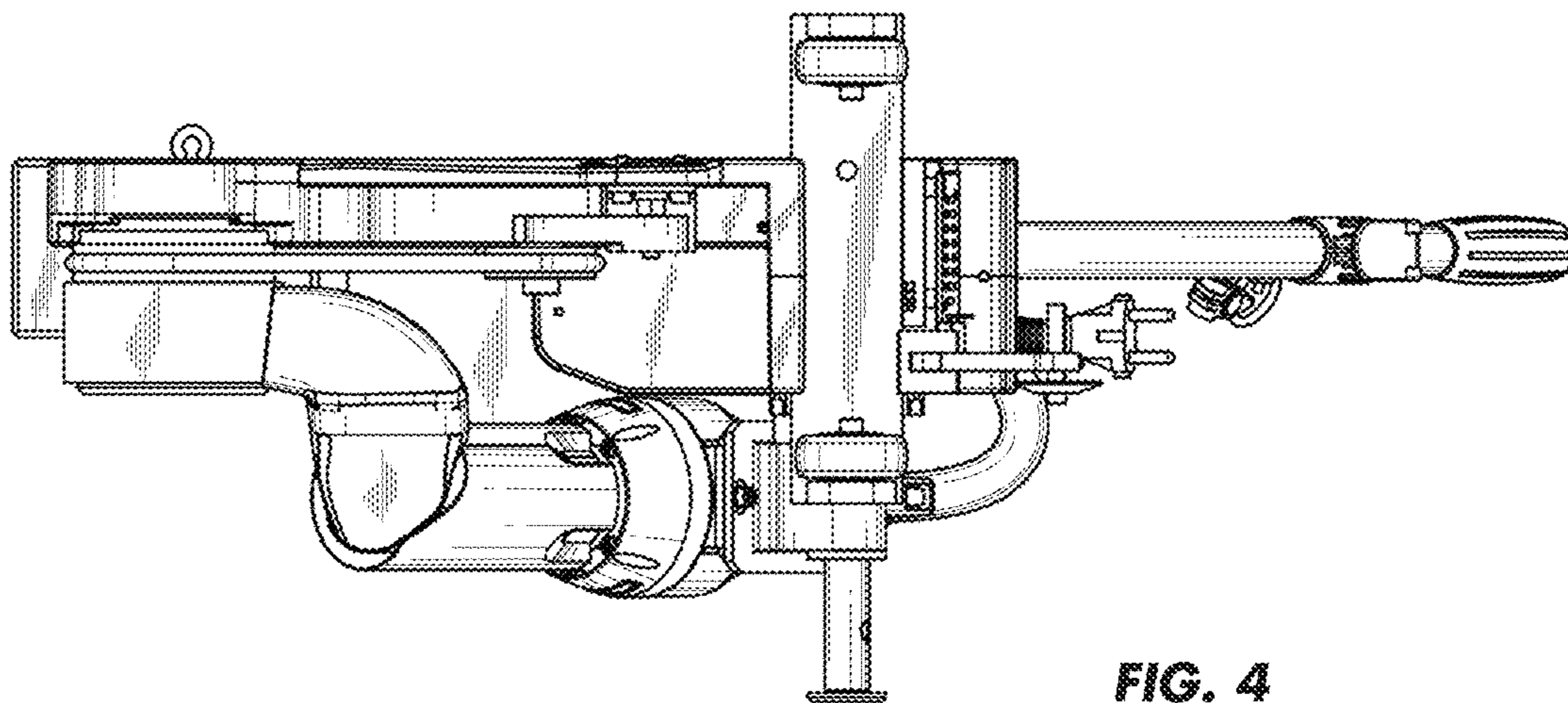


FIG. 4

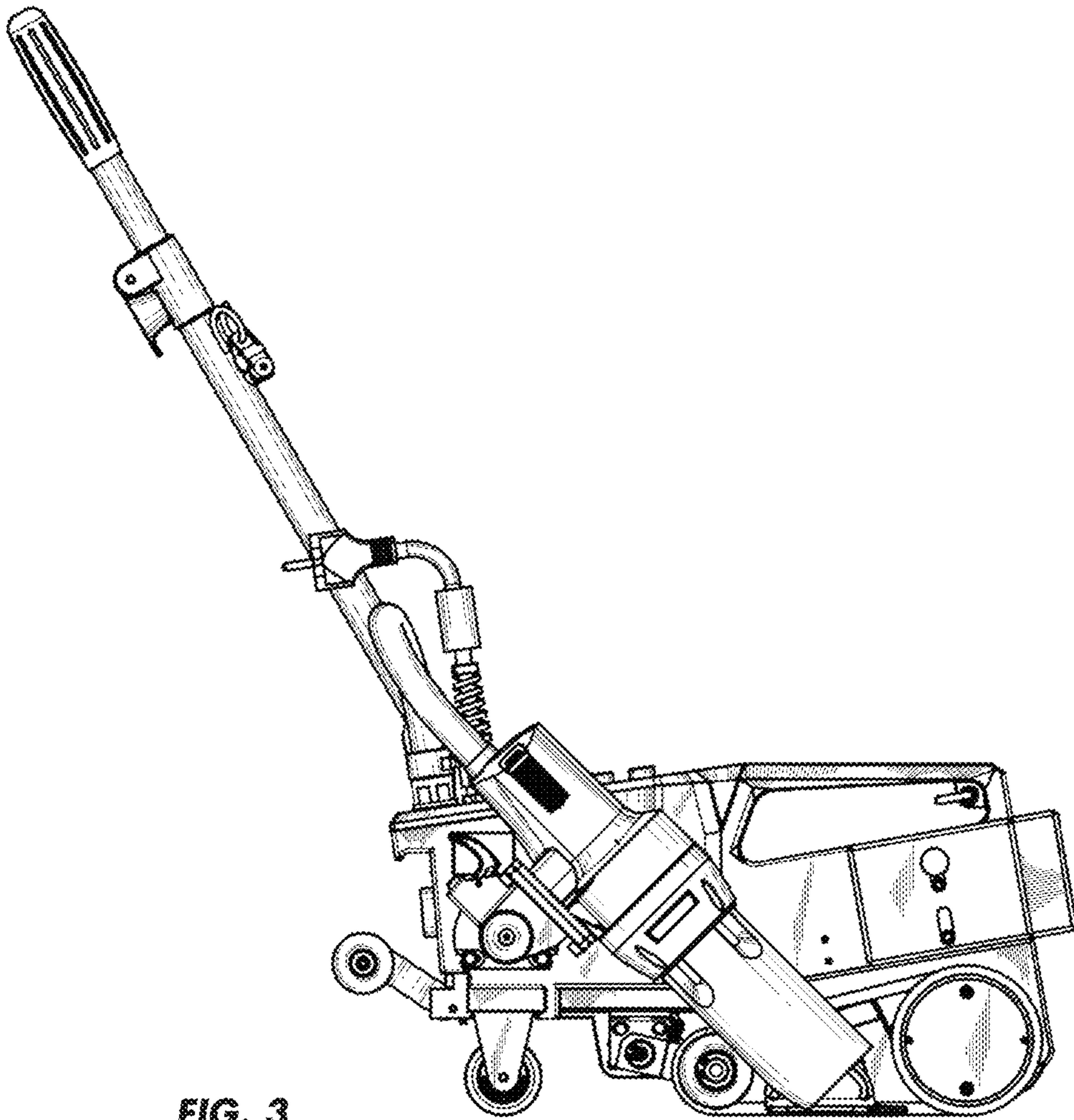


FIG. 3

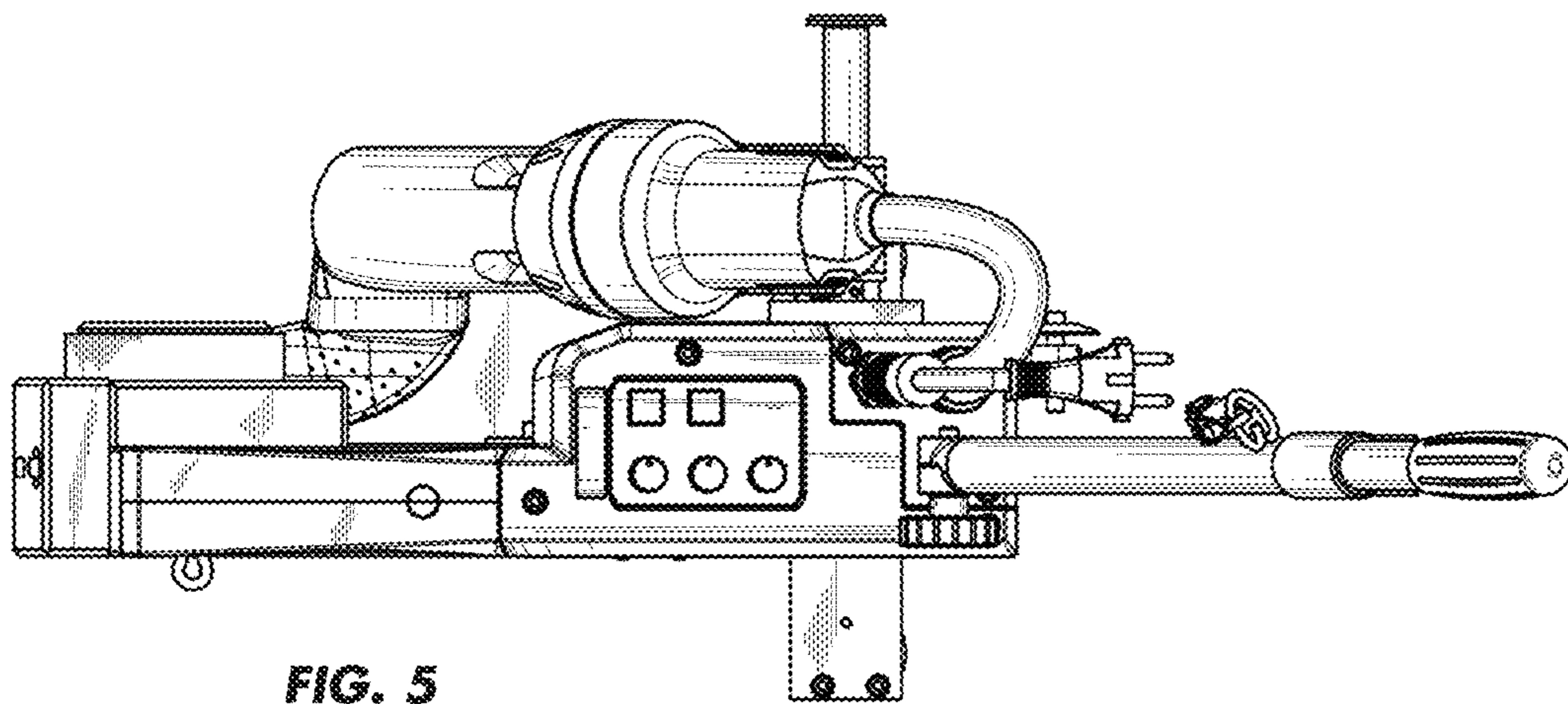


FIG. 5

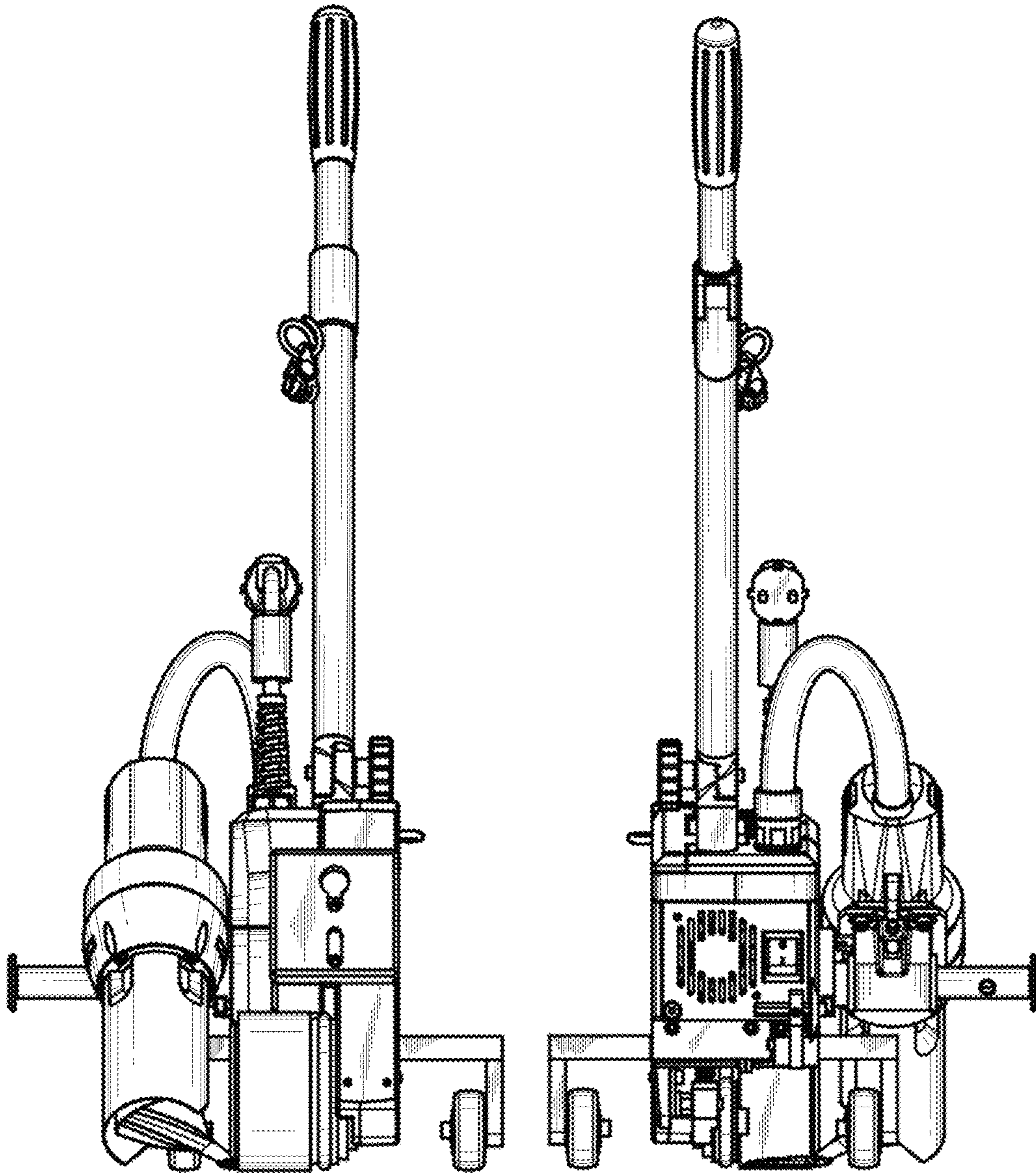


FIG. 6

FIG. 7