



US00D780238S

(12) **United States Design Patent**
Kato

(10) **Patent No.:** **US D780,238 S**
(45) **Date of Patent:** **** Feb. 28, 2017**

- (54) **POSITIONING TABLE**
- (71) Applicant: **Techno Dynamics Inc.**, Kikugawa-shi, Shizuoka (JP)
- (72) Inventor: **Toshinao Kato**, Kikugawa (JP)
- (73) Assignee: **Techno Dynamics Inc.**, Shizuoka (JP)
- (**) Term: **15 Years**
- (21) Appl. No.: **29/541,300**
- (22) Filed: **Oct. 2, 2015**
- (30) **Foreign Application Priority Data**

Apr. 3, 2015 (JP) 2015-007614

- (51) **LOC (10) Cl.** **15-09**
- (52) **U.S. Cl.**
USPC **D15/141; D15/138**
- (58) **Field of Classification Search**
USPC D15/138, 141, 143; 269/20, 70; 409/219
See application file for complete search history.

(56) **References Cited**

U.S. PATENT DOCUMENTS

- 2,874,599 A * 2/1959 Charlat B23Q 16/04
269/20
- 2,880,632 A * 4/1959 Charlat B23Q 1/621
269/70
- 3,143,791 A * 8/1964 Lanahan H05K 13/0015
248/430
- 3,240,085 A * 3/1966 Eppler B23Q 1/28
269/74
- 3,376,764 A * 4/1968 Schardt B23Q 1/38
248/346.01
- 3,638,933 A * 2/1972 Burnette B23Q 1/267
108/137

- 3,788,632 A * 1/1974 Lukas B23Q 16/04
269/20
- 4,013,280 A * 3/1977 Chitayat F16C 29/041
248/913
- 4,068,577 A * 1/1978 Murphy B30B 15/30
100/224
- 4,200,424 A * 4/1980 Gerkey F22B 37/00
104/47
- 4,271,471 A * 6/1981 Castner G05B 19/414
165/76
- 4,378,709 A * 4/1983 Chitayat F16H 19/025
108/143
- D269,786 S * 7/1983 Ostling D15/143
- 4,392,642 A * 7/1983 Chitayat B23Q 1/385
250/442.11
- 4,505,464 A * 3/1985 Chitayat B23Q 1/015
269/21

(Continued)

Primary Examiner — Patricia Palasik

(74) *Attorney, Agent, or Firm* — Harness, Dickey & Pierce, P.L.C.

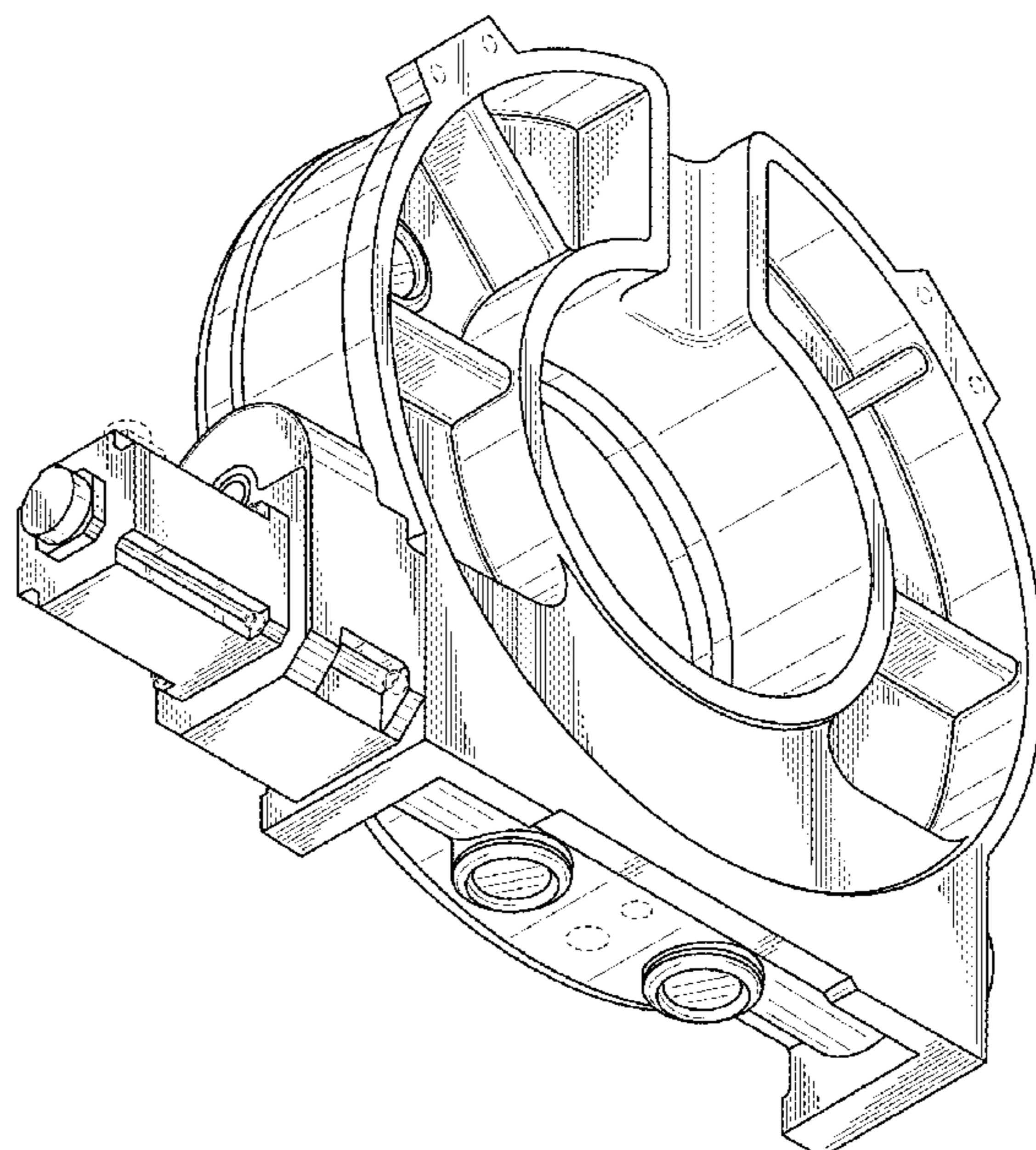
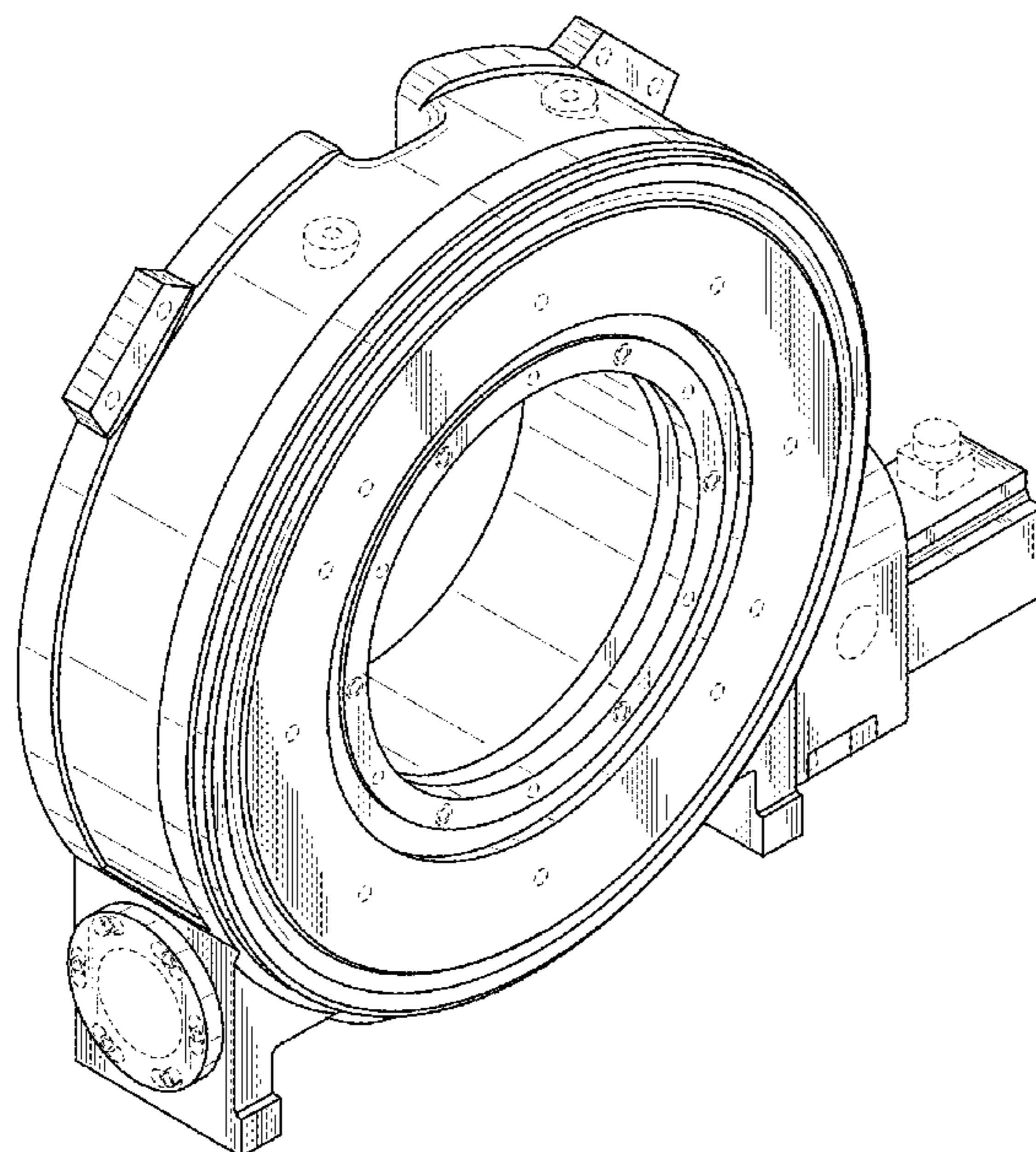
(57) **CLAIM**

The ornamental design for a positioning table, as shown and described.

DESCRIPTION

FIG. 1 is a perspective view of a positioning table showing my new design as viewed from the front, plan and left side; FIG. 2 is a perspective view as viewed from the rear, bottom and right side thereof; FIG. 3 is a front view thereof; FIG. 4 is a rear view thereof; FIG. 5 is a plan view thereof; FIG. 6 is a bottom view thereof; FIG. 7 is a left side view thereof; and, FIG. 8 is a right side view thereof.

1 Claim, 8 Drawing Sheets



(56)

References Cited

U.S. PATENT DOCUMENTS

4,560,911 A * 12/1985 Chitayat G05D 3/20
 310/12.06
 4,571,799 A * 2/1986 Chitayat B23Q 1/385
 108/137
 4,590,380 A * 5/1986 Tamaki H01J 37/20
 250/442.11
 4,610,442 A * 9/1986 Oku B23Q 1/4866
 269/73
 4,763,886 A * 8/1988 Takei B23Q 5/40
 269/73
 D297,942 S * 10/1988 Somarakis D15/143
 5,013,016 A * 5/1991 Kato B23Q 1/25
 269/73
 5,123,174 A * 6/1992 Noguchi G01B 5/0004
 248/913
 5,217,214 A * 6/1993 Takei G12B 5/00
 269/73
 D337,336 S * 7/1993 Losdahl D15/143
 D357,030 S * 4/1995 McKenna D15/143
 D367,069 S * 2/1996 Thom, Jr. D15/143
 5,704,601 A * 1/1998 Mangelsen B23Q 16/026
 269/329
 D427,217 S * 6/2000 Ostling D15/143
 6,168,668 B1 * 1/2001 Yudovsky H01L 21/68
 118/715
 D446,230 S * 8/2001 Olsson D15/143
 D503,941 S * 4/2005 Andersen D15/131
 6,948,720 B1 * 9/2005 Carlson B23Q 16/025
 269/63
 8,505,137 B1 * 8/2013 Gaines, Jr. A61B 6/0457
 108/147

* cited by examiner

FIG. 1

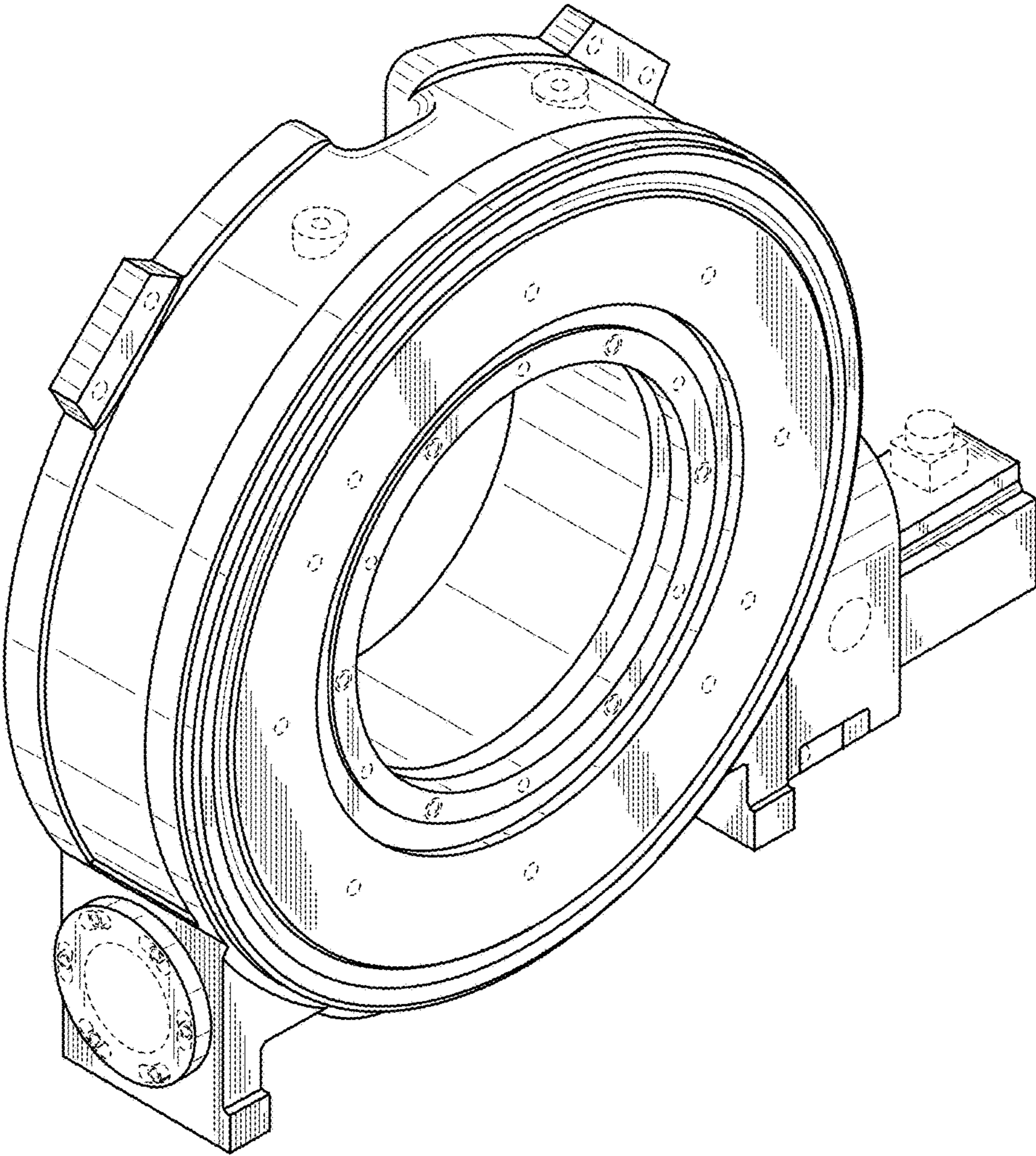


FIG. 2

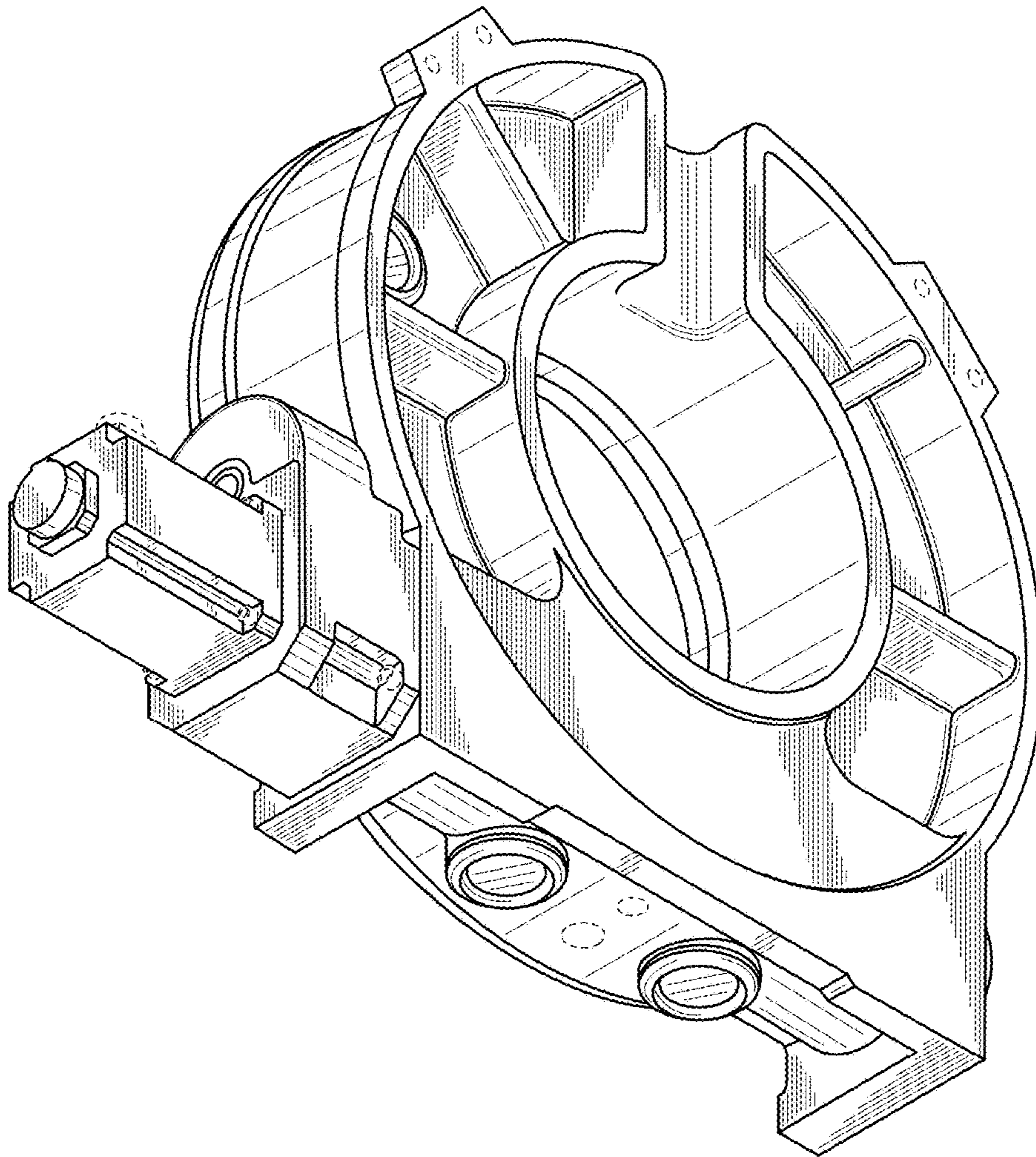


FIG. 3

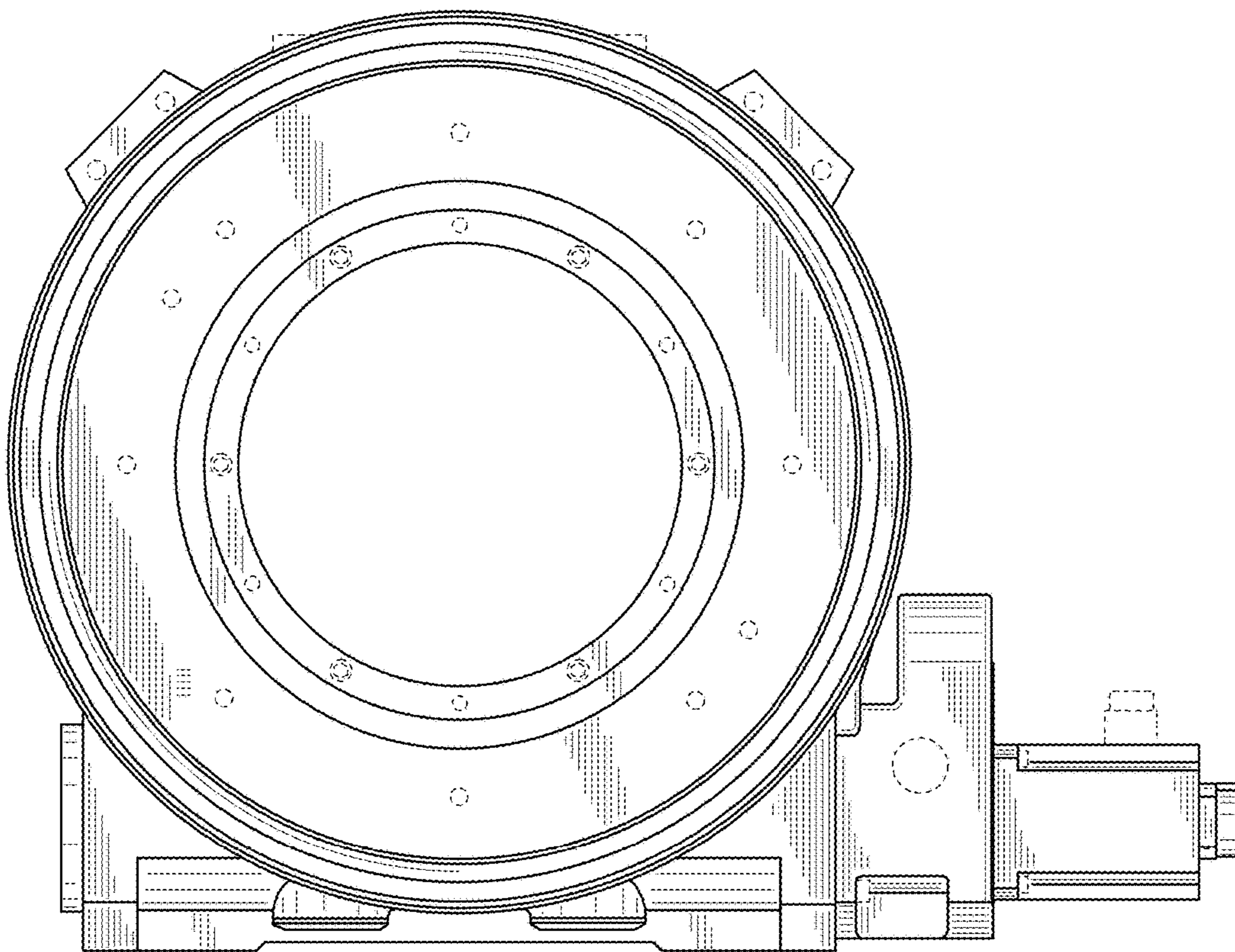


FIG. 4

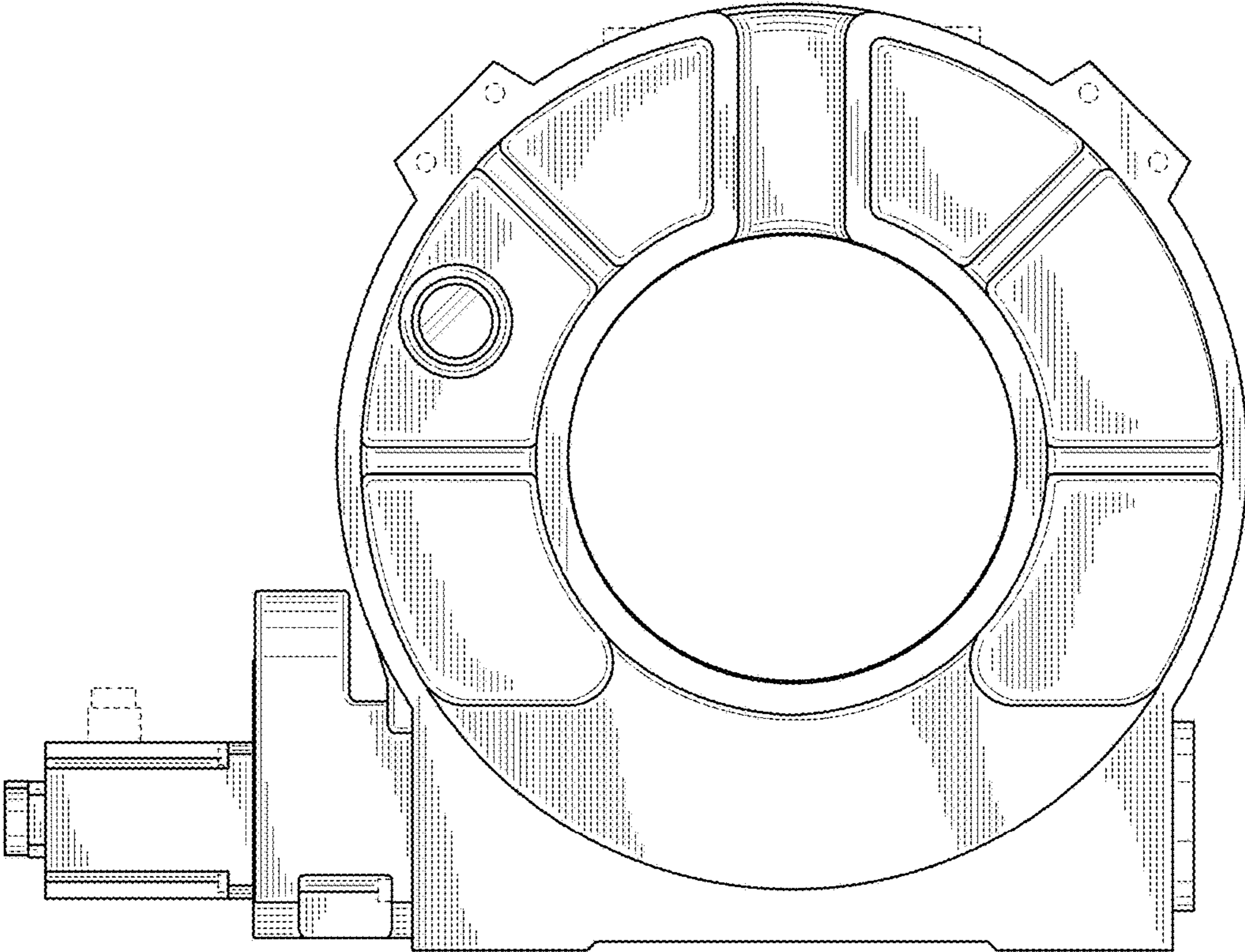


FIG. 5

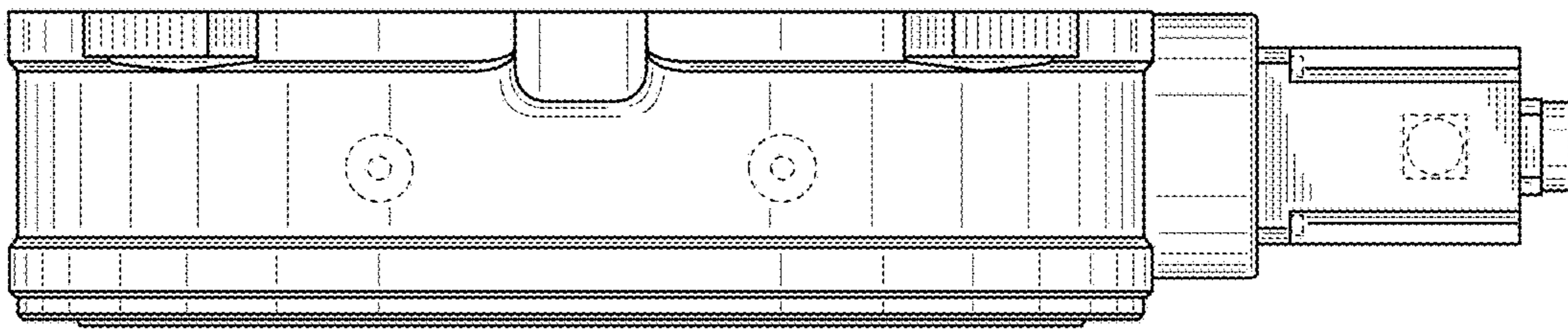


FIG. 6

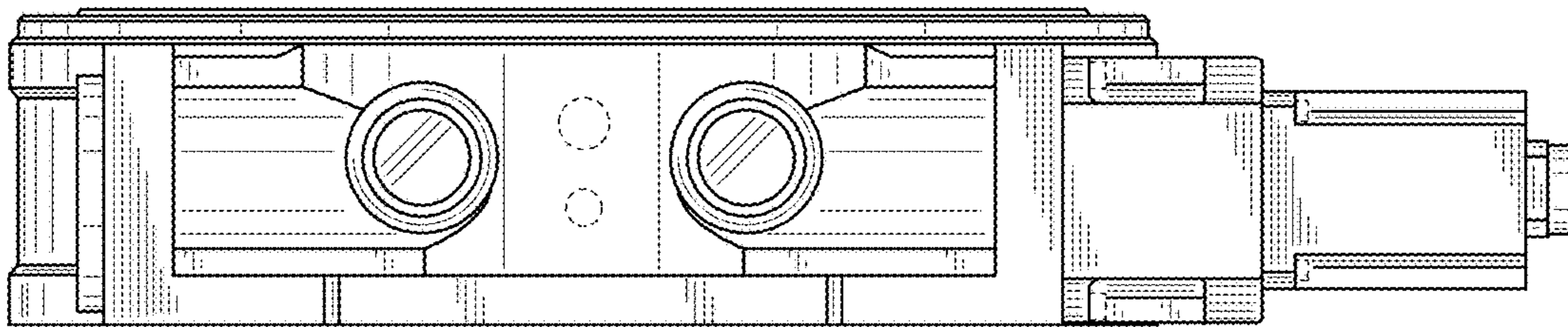


FIG. 7

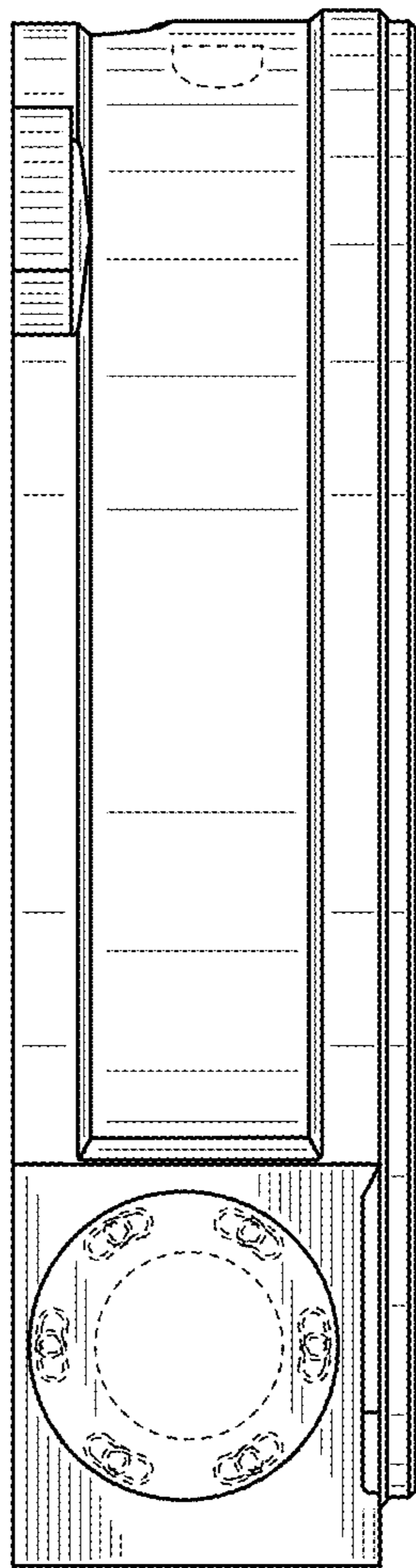


FIG. 8

