



US00D780236S

(12) **United States Design Patent**
Burke et al.

(10) **Patent No.:** **US D780,236 S**
(45) **Date of Patent:** **** Feb. 28, 2017**

(54) **PLURAL STORAGE BIN AND BIN CARRIER ASSEMBLY FOR REFRIGERATED APPLIANCE**

4,979,262 A 12/1990 Lautenschlager
5,090,820 A 2/1992 Lautenschlager
(Continued)

(71) Applicant: **Whirlpool Corporation**, Benton Harbor, MI (US)

FOREIGN PATENT DOCUMENTS

(72) Inventors: **Julia B. Burke**, St. Joseph, MI (US); **Ronald E. Haltmeyer**, Swisher, IA (US); **Anant Ravindra Karanjikar**, Pune (IN); **Dean Alan Martin**, Solon, IA (US)

CN 2881472 3/2007
JP 3419988 4/2003
(Continued)

(73) Assignee: **Whirlpool Corporation**, Benton Harbor, MI (US)

Primary Examiner — Daniel Bui
Assistant Examiner — Khawaja Anwar

(**) Term: **14 Years**

(57) **CLAIM**

(21) Appl. No.: **29/485,258**

We claim the ornamental design for a plural storage bin and bin carrier assembly for refrigerated appliance, substantially as shown and described.

(22) Filed: **Mar. 18, 2014**

Related U.S. Application Data

(63) Continuation of application No. 13/833,463, filed on Mar. 15, 2013, now abandoned.

DESCRIPTION

(51) **LOC (10) Cl.** **15-07**

FIG. 1 is a perspective view of a plural storage bin and bin carrier assembly for refrigerated appliance, showing our new design;

(52) **U.S. Cl.**

USPC **D15/89**

FIG. 2 is another perspective view thereof;

(58) **Field of Classification Search**

USPC D15/79-91

CPC F25D 23/028; F25D 23/02; F25D 25/025;

F25D 23/00; F25D 2323/021; F25D

11/00; F25D 2323/024; F25D

23/04; F25D 29/00; F25D 25/02; F25D

25/024; F25D 27/005; F25D 23/12; F25D

29/005; F25D 17/042; F25D 2325/021

See application file for complete search history.

FIG. 3 is a front elevation view thereof;

FIG. 4 is a rear elevation view thereof;

FIG. 5 is a right side elevation view thereof;

FIG. 6 is a left side elevation view thereof;

FIG. 7 is a top plan view thereof;

FIG. 8 is a bottom plan view thereof; and,

FIG. 9 is another perspective view thereof, shown in an alternate configuration.

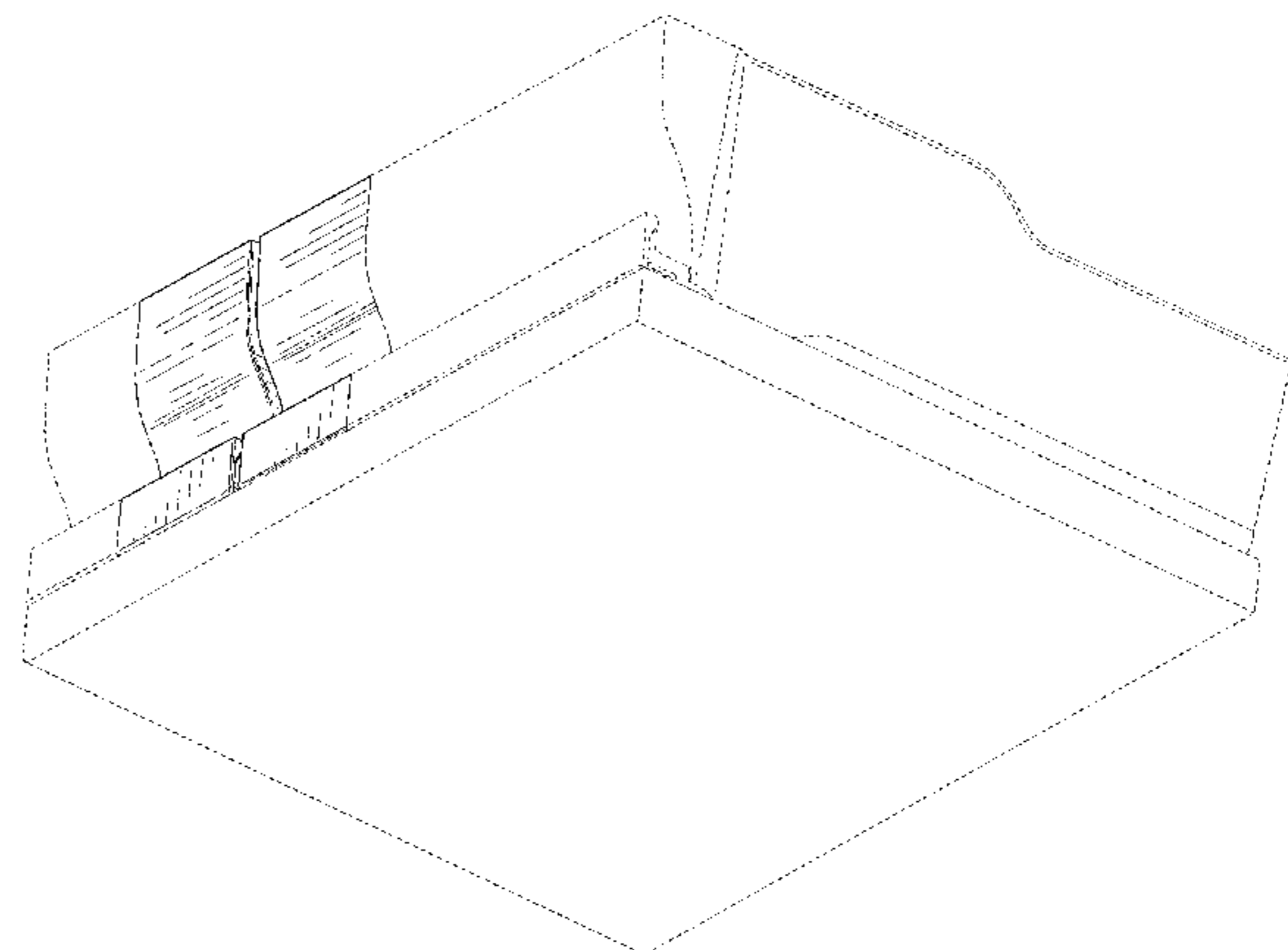
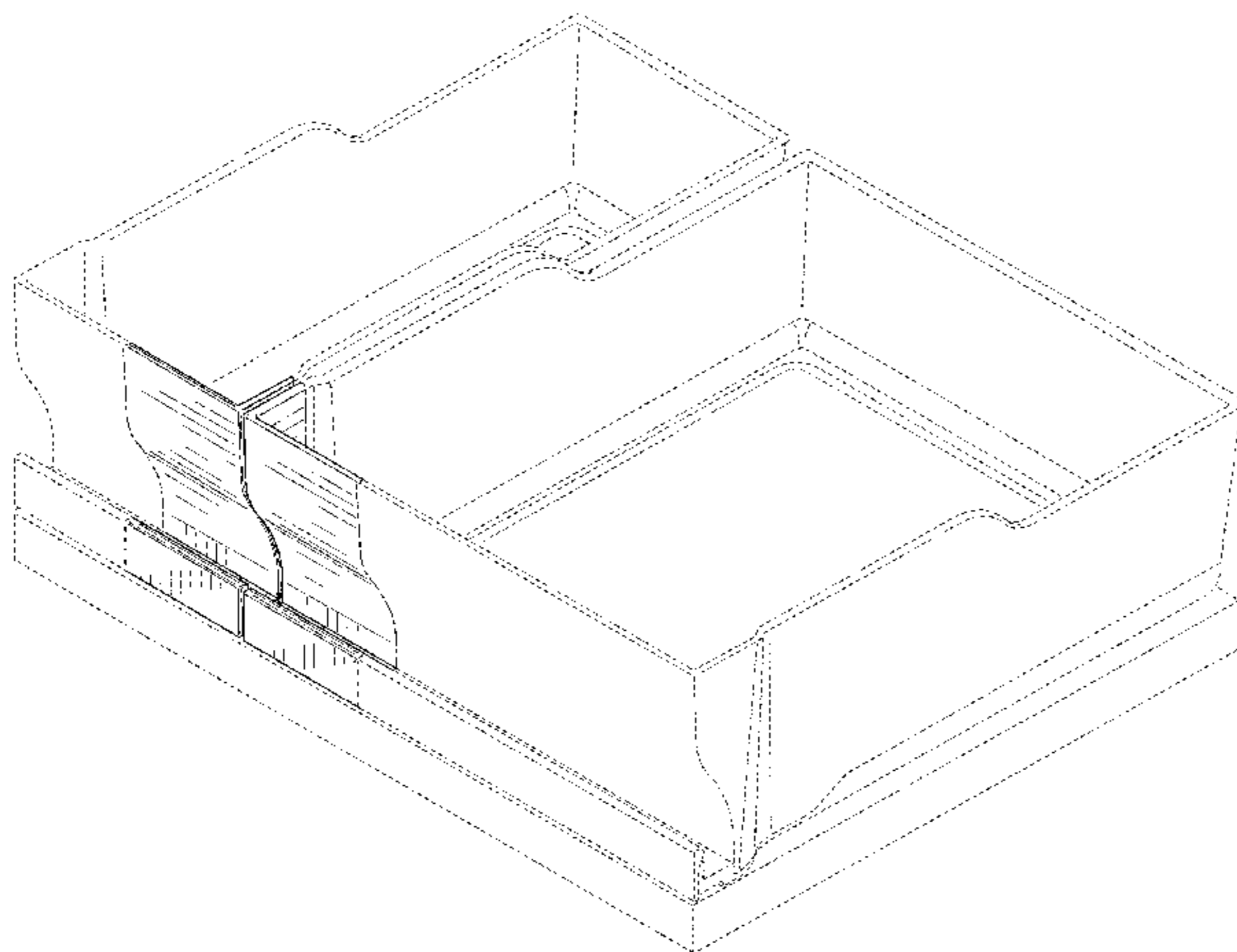
The dot-dash broken lines immediately adjacent shaded areas represent the bounds of the claimed design while all other broken lines are included for the purpose of illustrating the unclaimed portions of the article; the broken lines form no part of the claimed design.

(56) **References Cited**

U.S. PATENT DOCUMENTS

3,301,610 A 1/1967 Packett
4,834,557 A 5/1989 Dreinhoff

1 Claim, 7 Drawing Sheets



(56)

References Cited

U.S. PATENT DOCUMENTS

D515,114 S *	2/2006	Grobleben	D15/89
D676,468 S *	2/2013	Lee et al.	D15/89
D694,289 S *	11/2013	Hottmann et al.	D15/89
D695,796 S *	12/2013	Lee et al.	D15/89
D710,406 S *	8/2014	Seo et al.	D15/89
D723,593 S *	3/2015	Ryu et al.	D15/89

FOREIGN PATENT DOCUMENTS

JP	2008121976		5/2008
KR	2003021799 A		3/2003
KR	2003023801 A		3/2003
KR	100430216		4/2004
KR	1020040064564		7/2004
KR	2009106233 A		10/2009
KR	2010018234 A		2/2010
KR	1020100023474		3/2010
KR	101028583 B1		9/2010
KR	100998369		11/2010
KR	101013683		1/2011

* cited by examiner

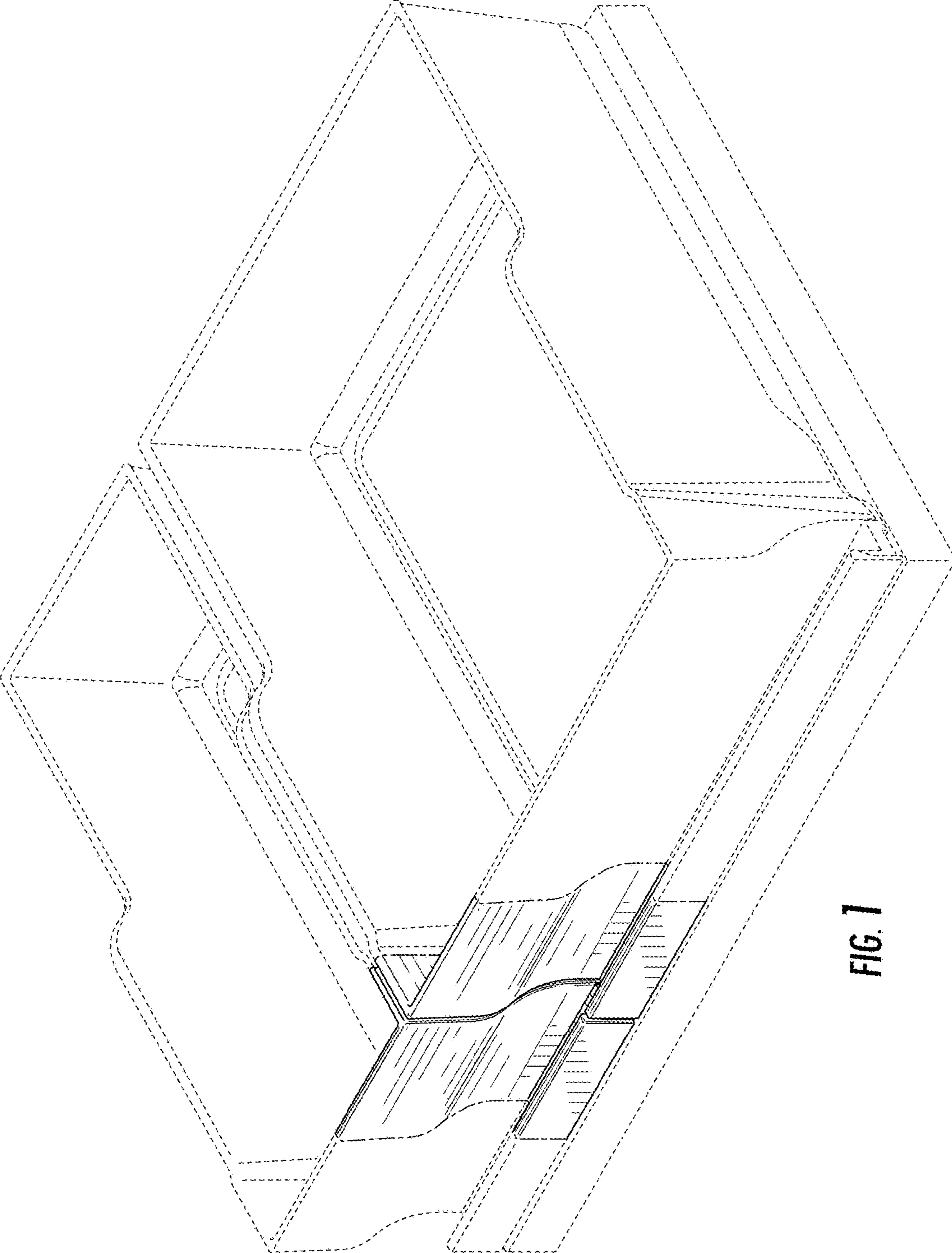


FIG. 1

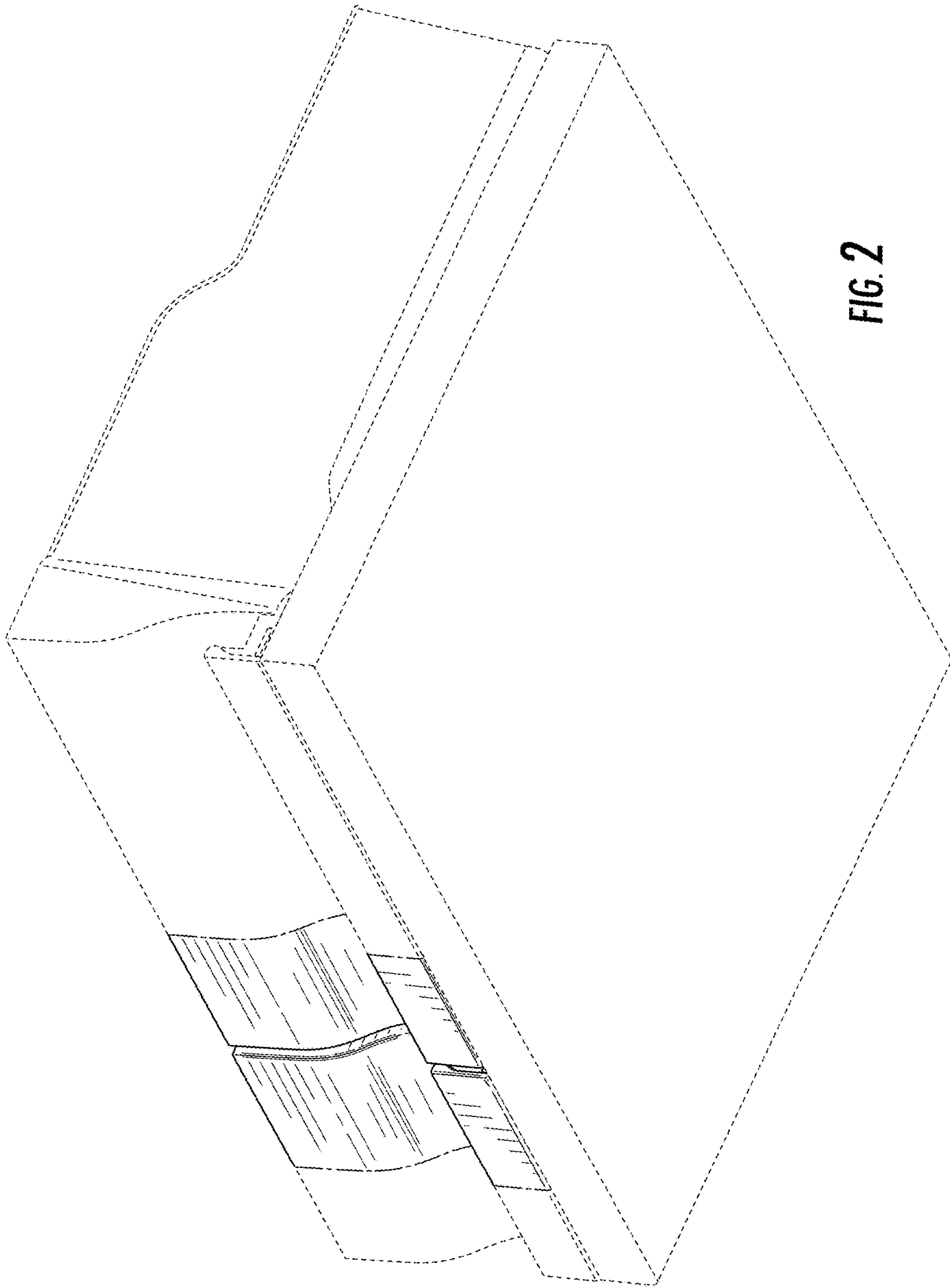


FIG. 2

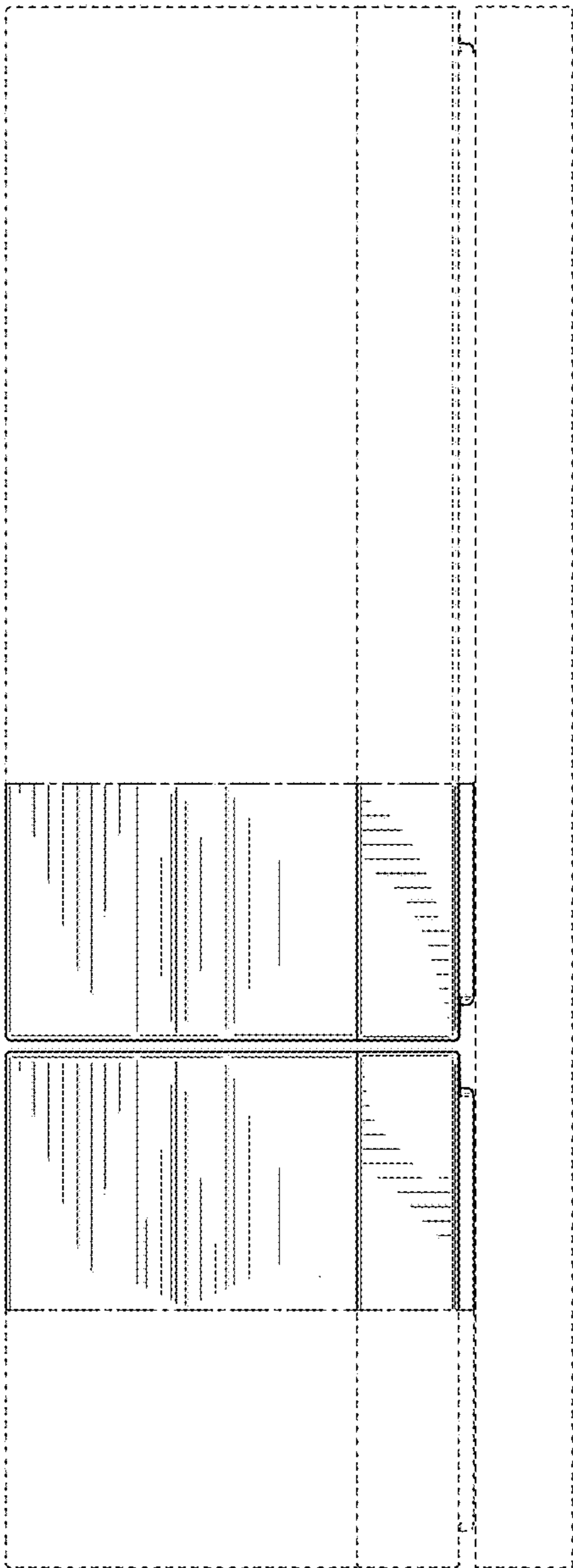


FIG. 3

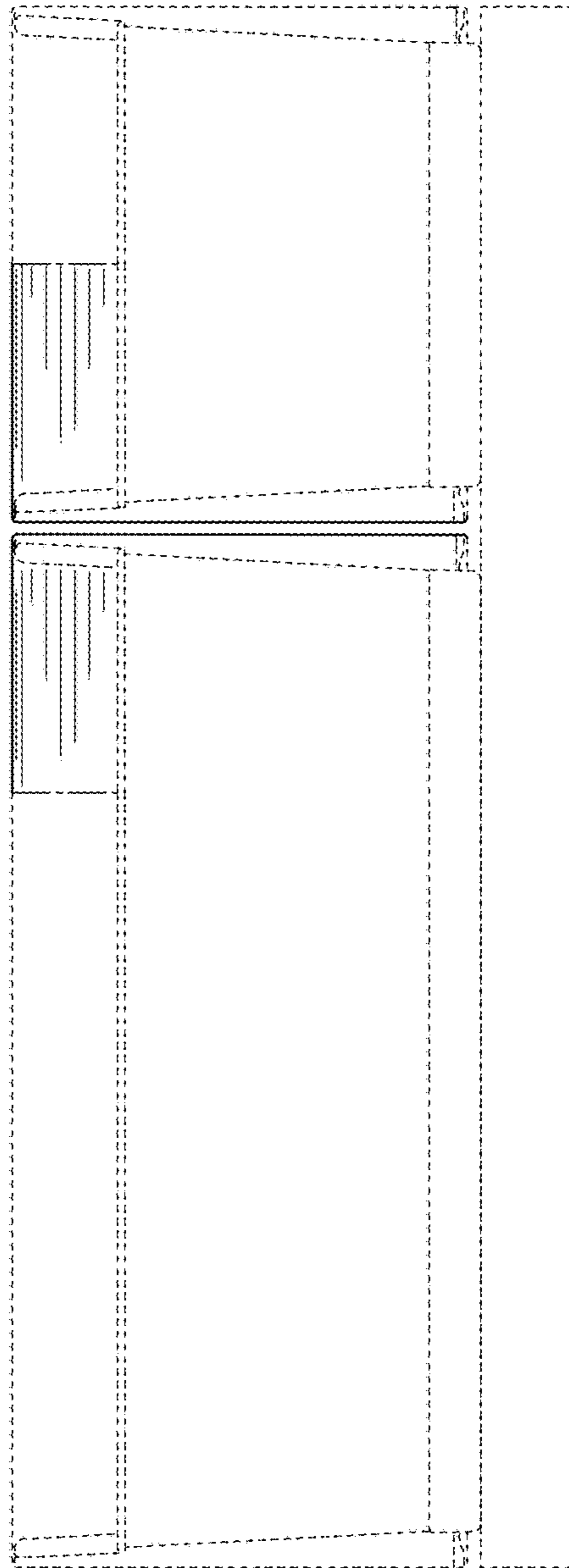


FIG. 4

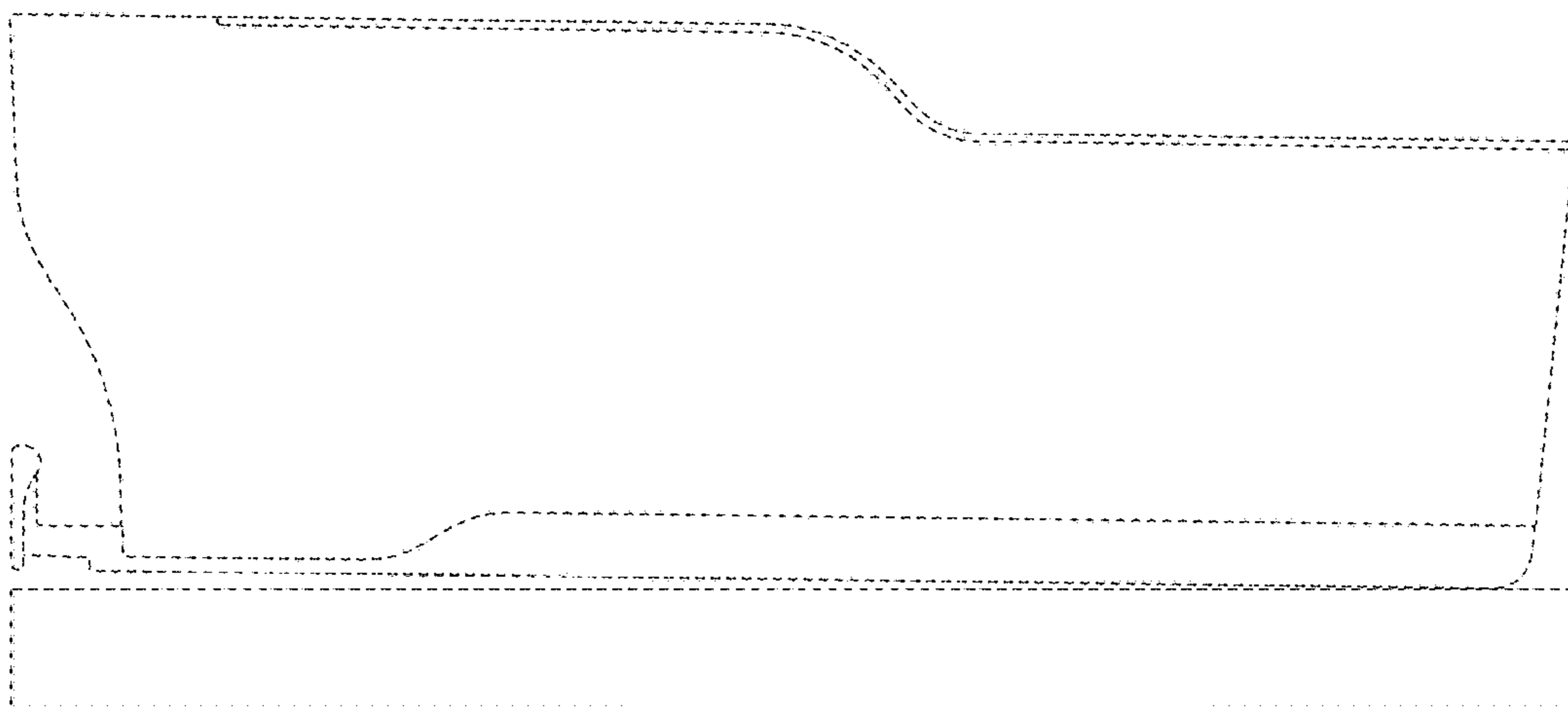


FIG. 5

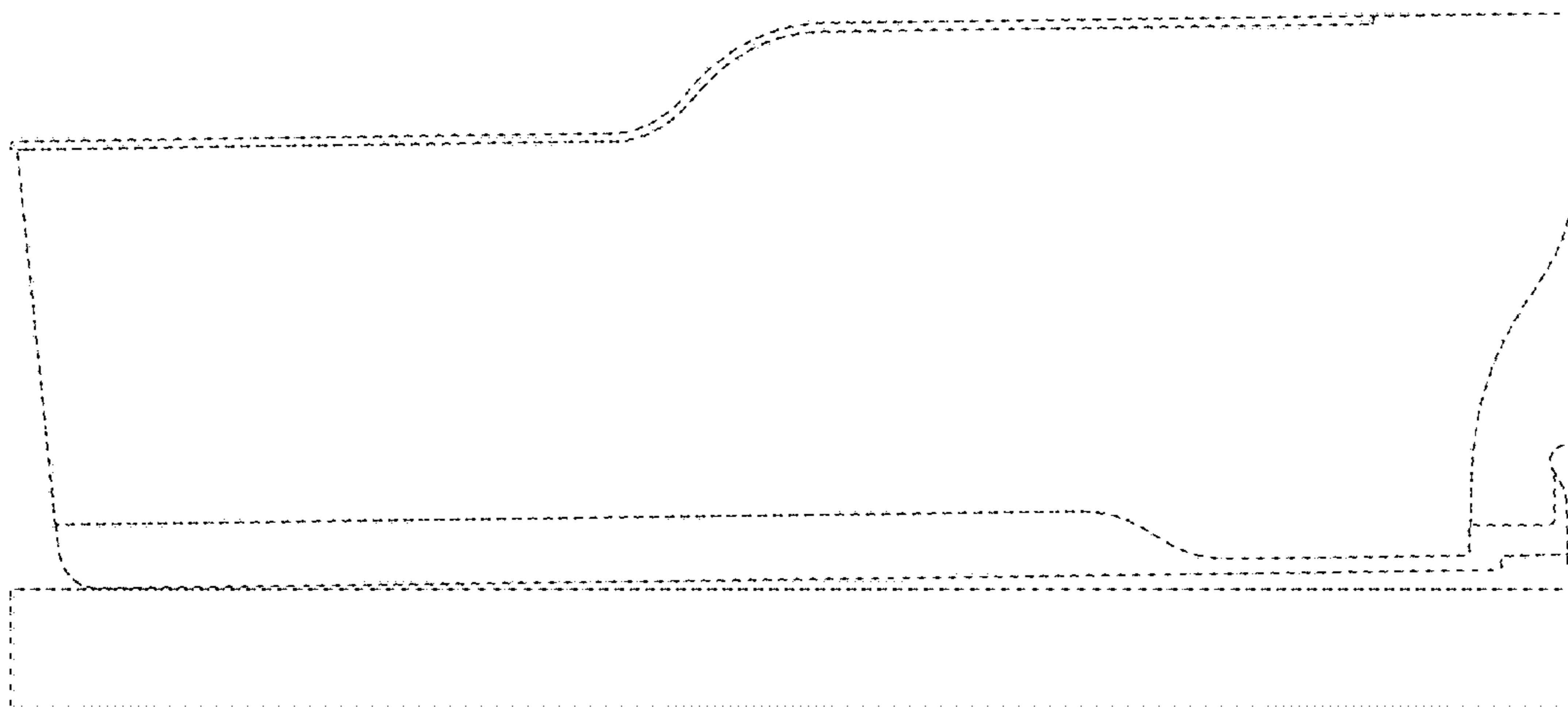


FIG. 6

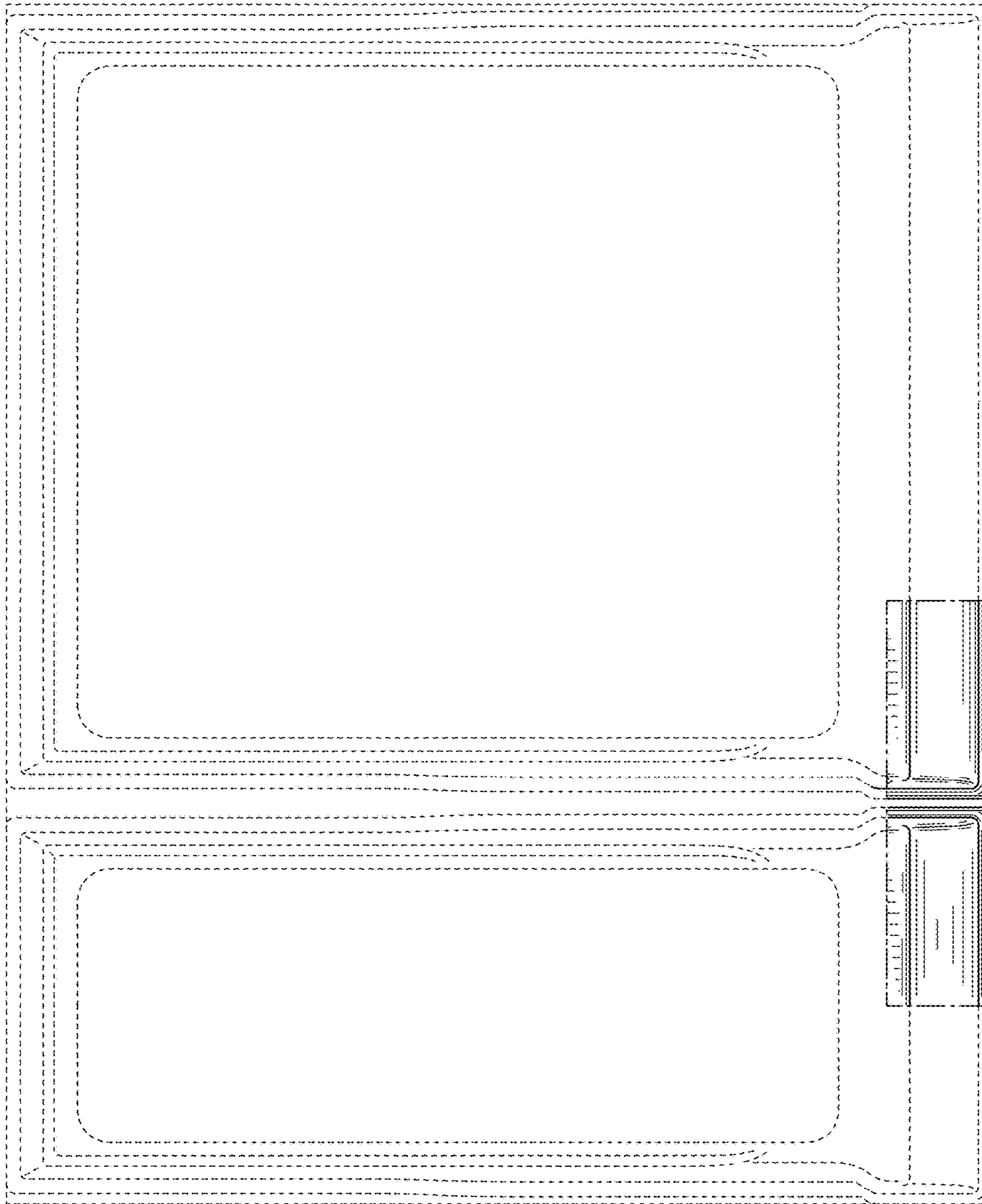


FIG. 7

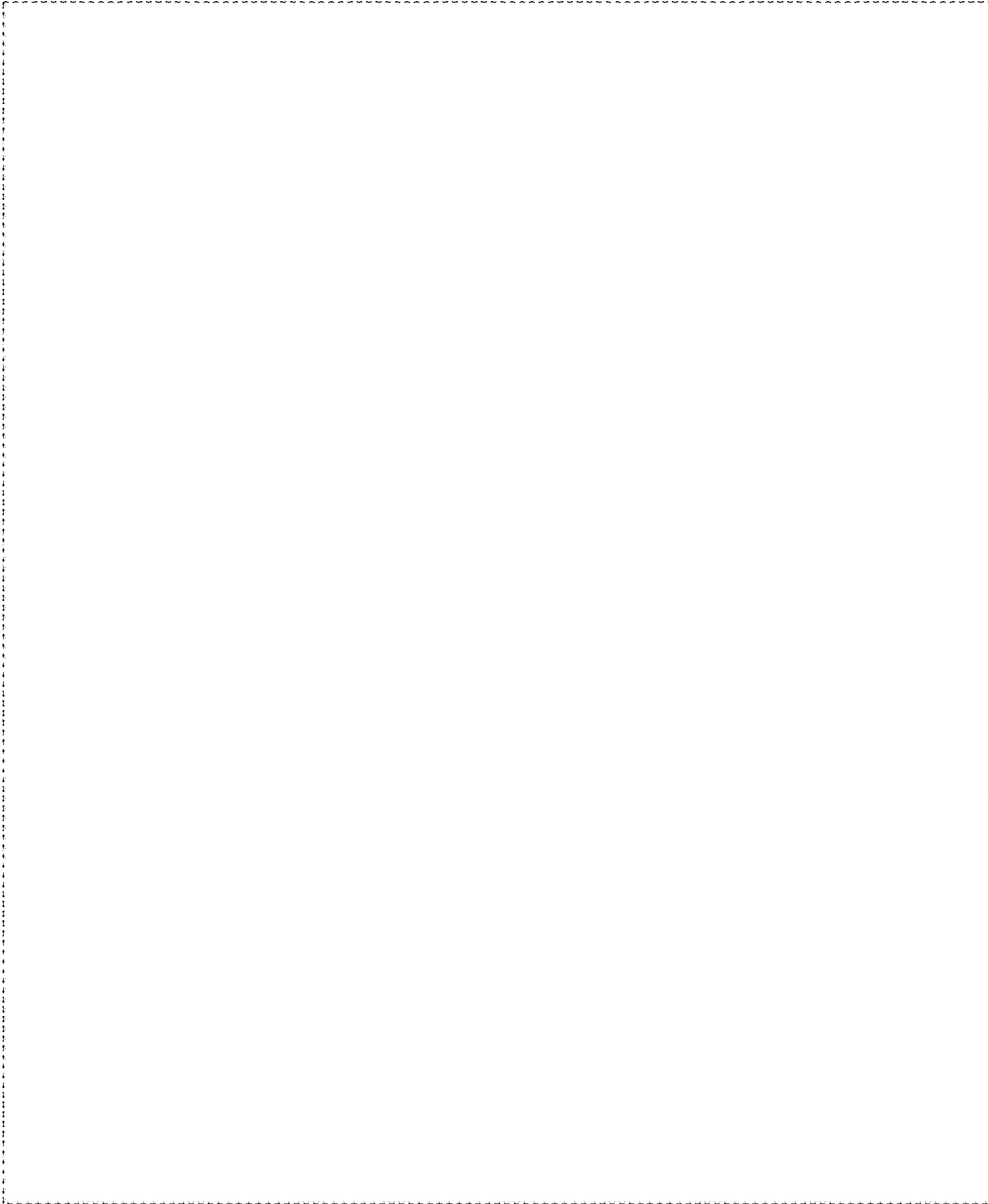


FIG. 8

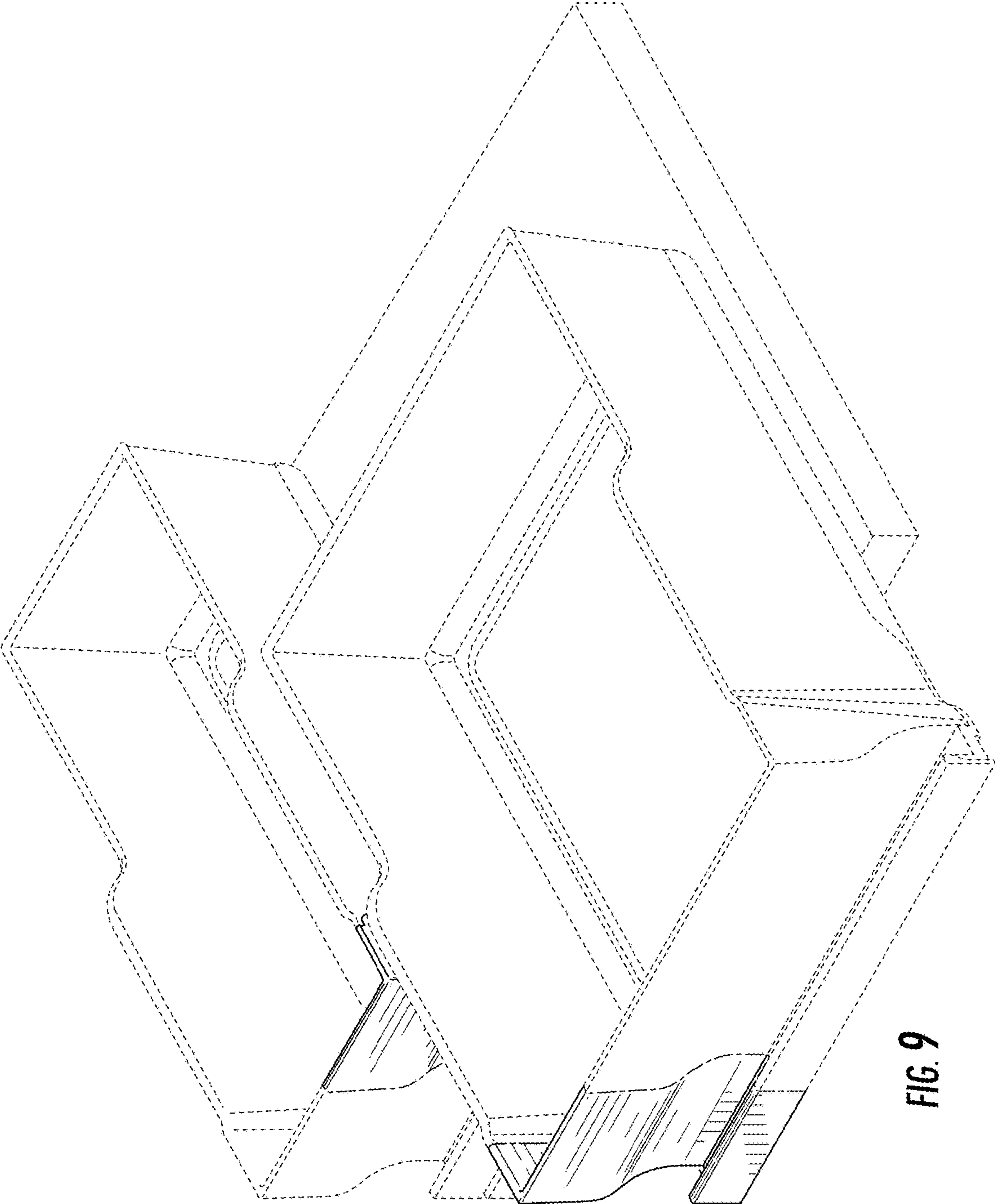


FIG. 9