



US00D780235S

(12) **United States Design Patent** (10) **Patent No.:** **US D780,235 S**
Kim (45) **Date of Patent:** **** Feb. 28, 2017**

(54) **OPERATOR CAB FOR CONSTRUCTION EQUIPMENT**

(71) Applicant: **VOLVO CONSTRUCTION EQUIPMENT AB**, Eskilstuna (SE)

(72) Inventor: **Kangtae Kim**, Changwon-si (KR)

(73) Assignee: **Volvo Construction Equipment AB**, Eskilstuna (SE)

(**) Term: **15 Years**

(21) Appl. No.: **29/548,699**

(22) Filed: **Dec. 16, 2015**

(30) **Foreign Application Priority Data**

Jun. 25, 2015 (EM) 002725994-0001

(51) **LOC (10) Cl.** **15-03**

(52) **U.S. Cl.**
USPC **D15/30**

(58) **Field of Classification Search**
USPC D15/28, 30, 31, 22-26; D34/37;
180/89.11, 89.12, 89.13, 89.19, 900
CPC B66C 13/54; E02F 9/16; E02F 9/163;
E02F 9/06; B62D 33/0617; B62D
49/00-49/085; B62D 33/06-33/073; B60J
7/00; B60J 1/004; B60J 1/02; B60J 1/04;
B60J 5/0487

See application file for complete search history.

(56) **References Cited**

U.S. PATENT DOCUMENTS

4,082,343 A * 4/1978 Hurt, II B62D 33/0604
180/89.12
D267,648 S * 1/1983 Baconet D15/30
D438,878 S * 3/2001 Brandenburg, III D15/30
D446,225 S * 8/2001 Brandenburg, III D15/30

D453,023 S * 1/2002 Kaneko D15/21
D455,763 S * 4/2002 Brandenburg, III D15/28
D637,630 S * 5/2011 Yamamoto D15/30
D642,205 S * 7/2011 Yamamoto D15/30
D660,880 S * 5/2012 Laugurette D15/30
D660,881 S * 5/2012 Bohme D15/30
D671,566 S * 11/2012 Fang D15/30
D678,360 S * 3/2013 Kozai D15/30
D684,607 S * 6/2013 Hagura D15/30
D687,868 S * 8/2013 Watson D15/30
D720,370 S * 12/2014 Carter D15/30
D725,156 S * 3/2015 Saari D15/21
D726,780 S * 4/2015 Saari D15/21
D733,192 S * 6/2015 Saari D15/21
D749,148 S * 2/2016 Darekar D15/30
D751,123 S * 3/2016 Kazakoff D15/30
D762,248 S * 7/2016 Steinhardt D15/30
2009/0026803 A1 * 1/2009 Yano B60J 1/04
296/190.1

FOREIGN PATENT DOCUMENTS

KR 30-0485738 4/2008

* cited by examiner

Primary Examiner — Mark Goodwin

(74) *Attorney, Agent, or Firm* — Tucker Ellis LLP

(57) **CLAIM**

The ornamental design for an operator cab for construction equipment, as shown and described.

DESCRIPTION

FIG. 1 is a perspective view of an operator cab for construction equipment showing my new design.

FIG. 2 is a front view thereof.

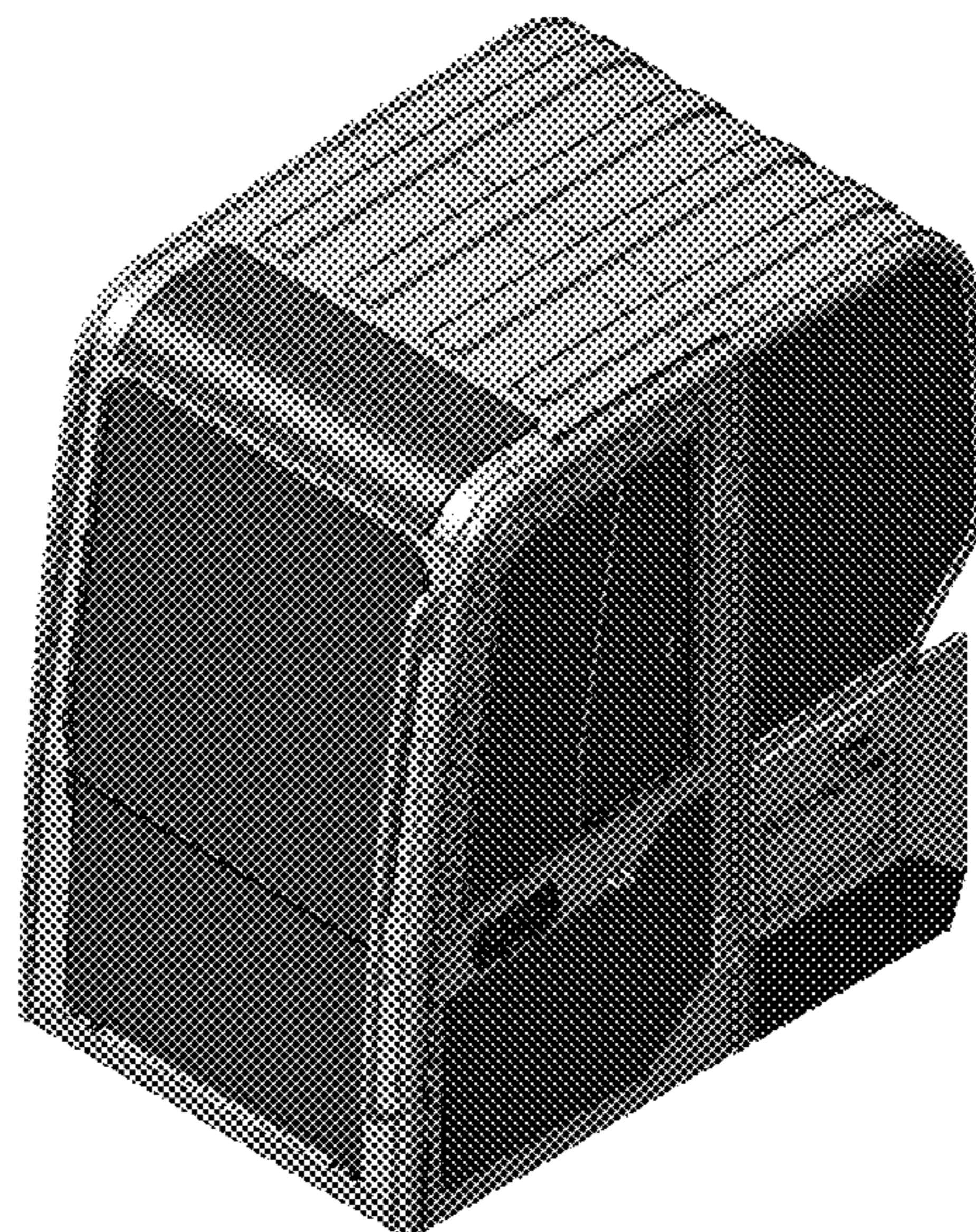
FIG. 3 is a rear view thereof.

FIG. 4 is a right side view thereof.

FIG. 5 is a left side view thereof; and,

FIG. 6 is a top view thereof.

1 Claim, 6 Drawing Sheets



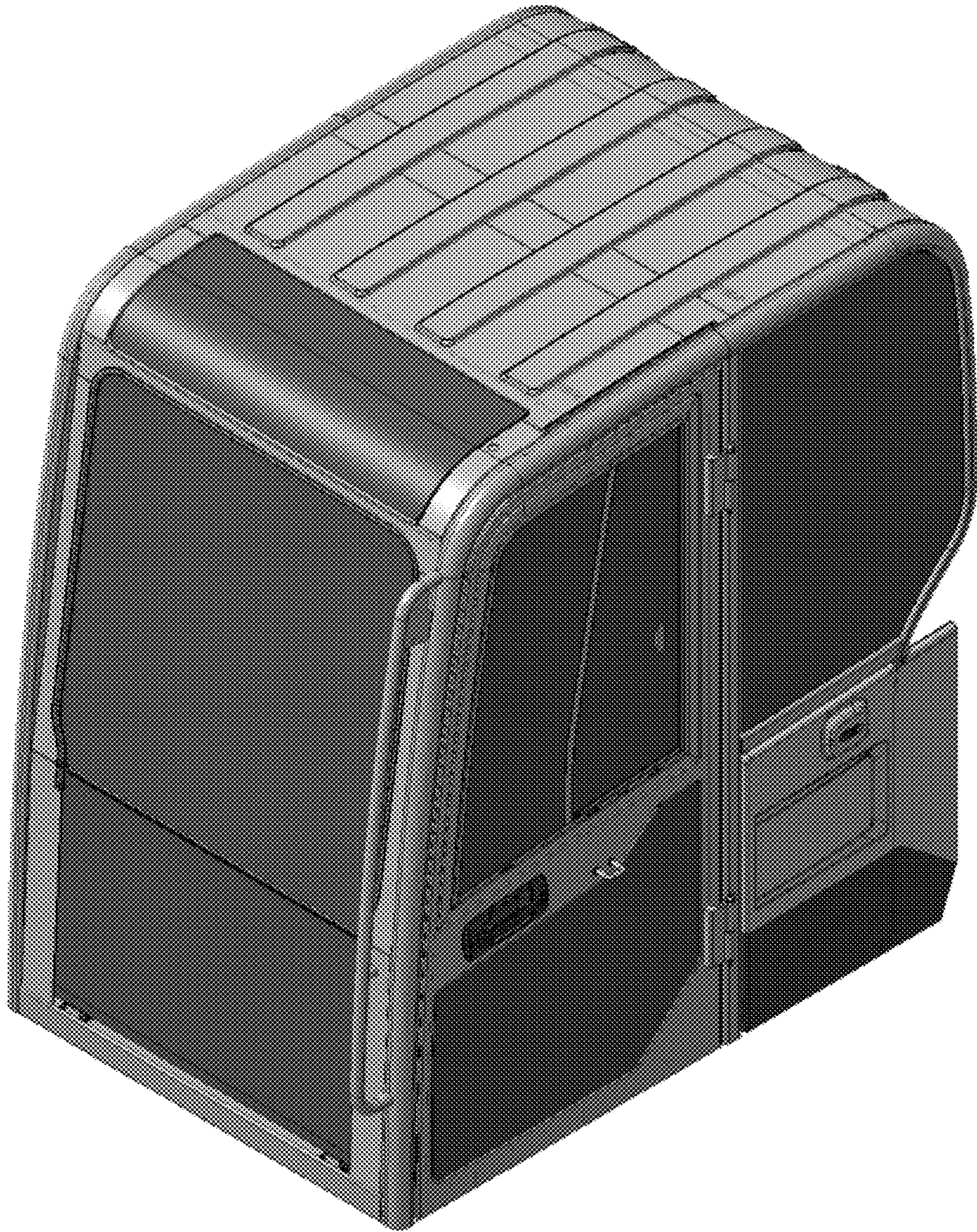


FIG. 1

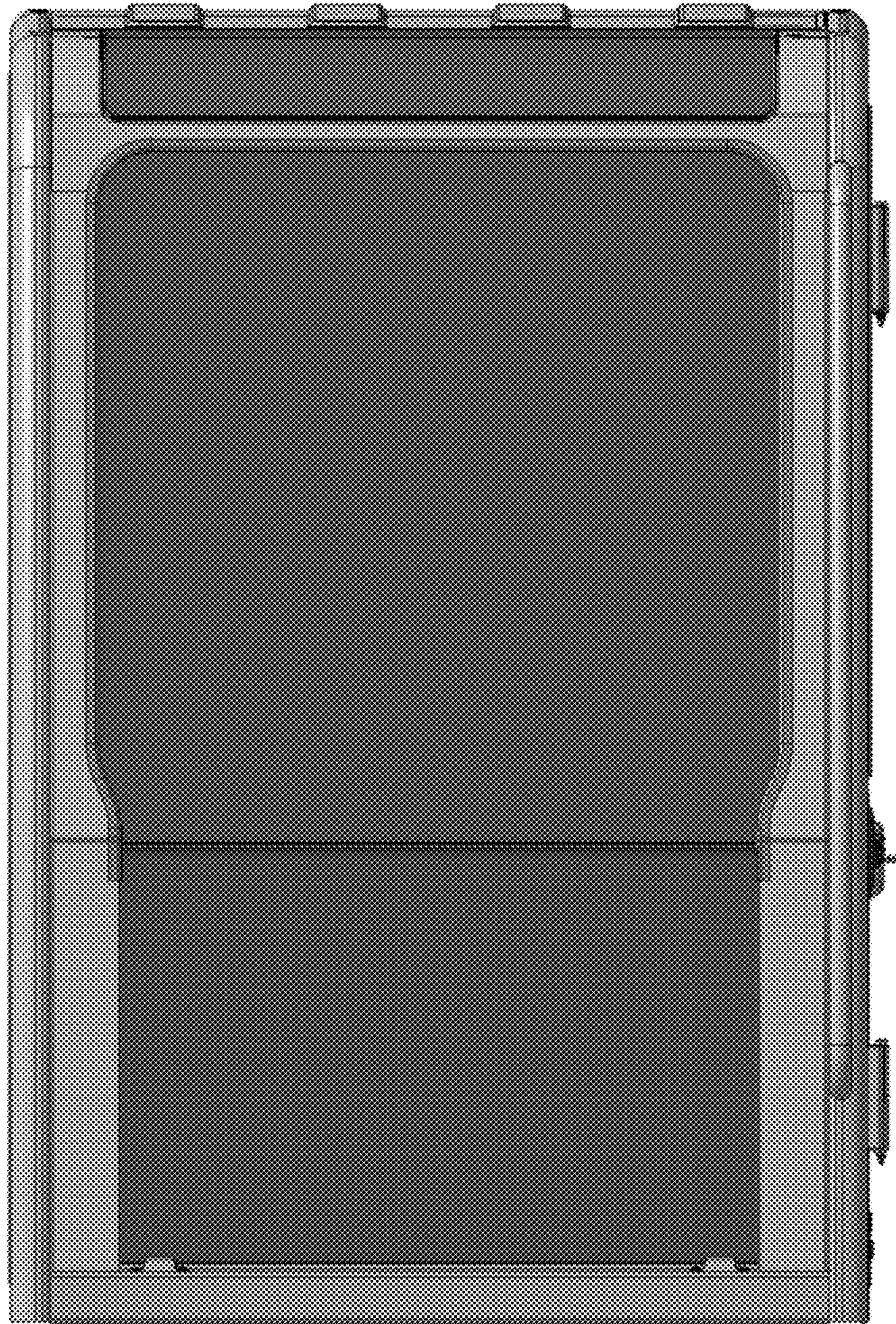


FIG. 2

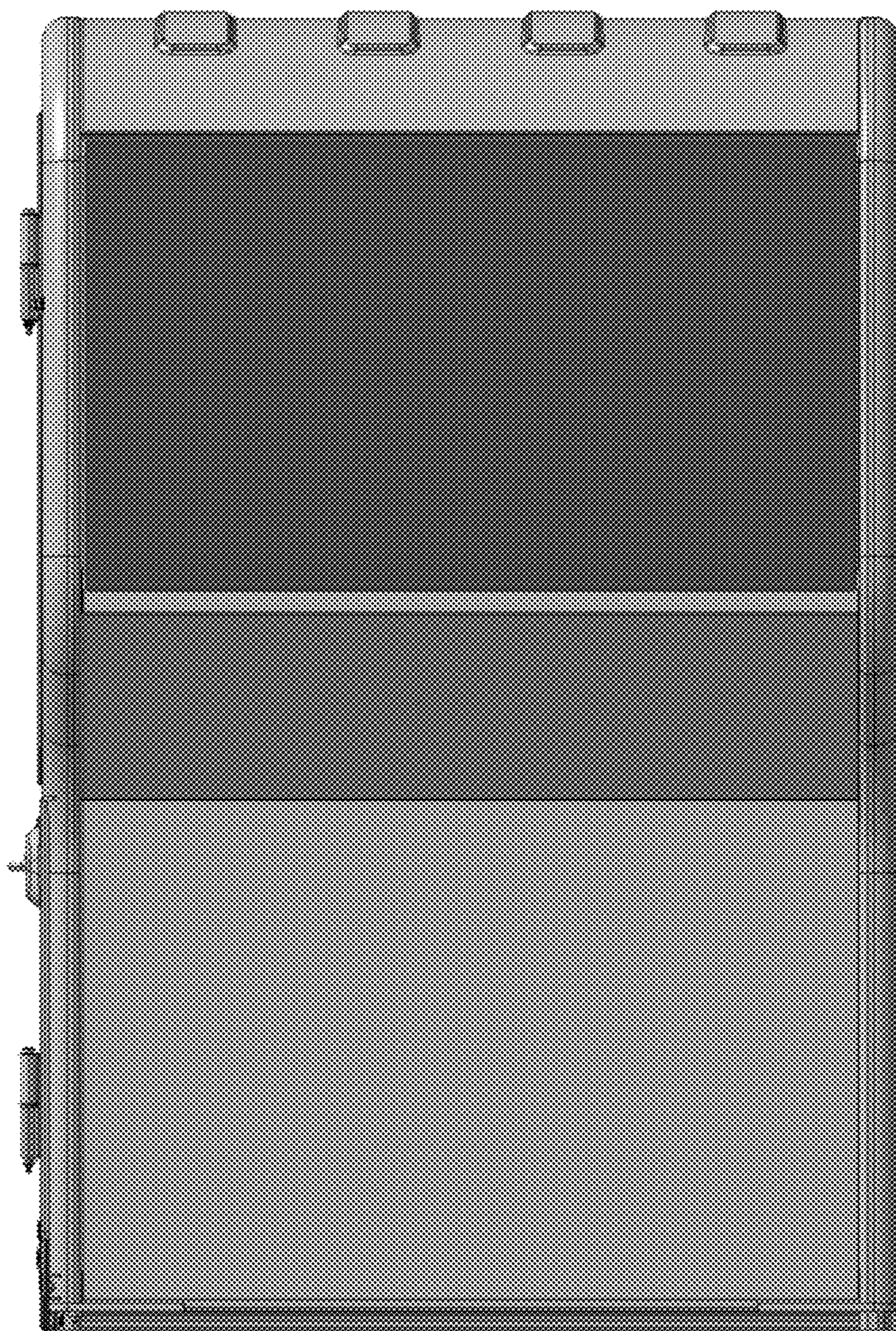


FIG. 3



FIG. 4

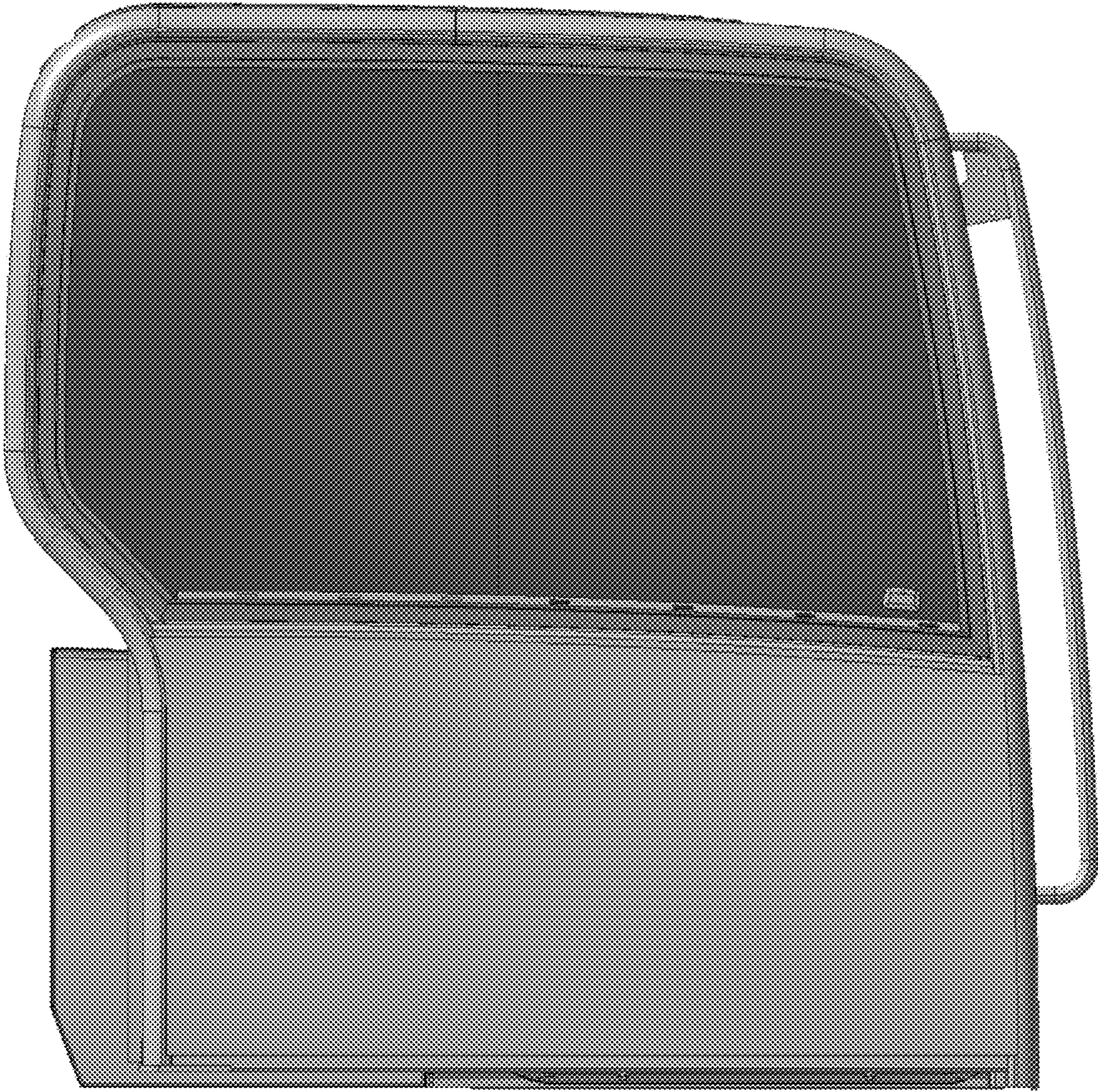


FIG. 5

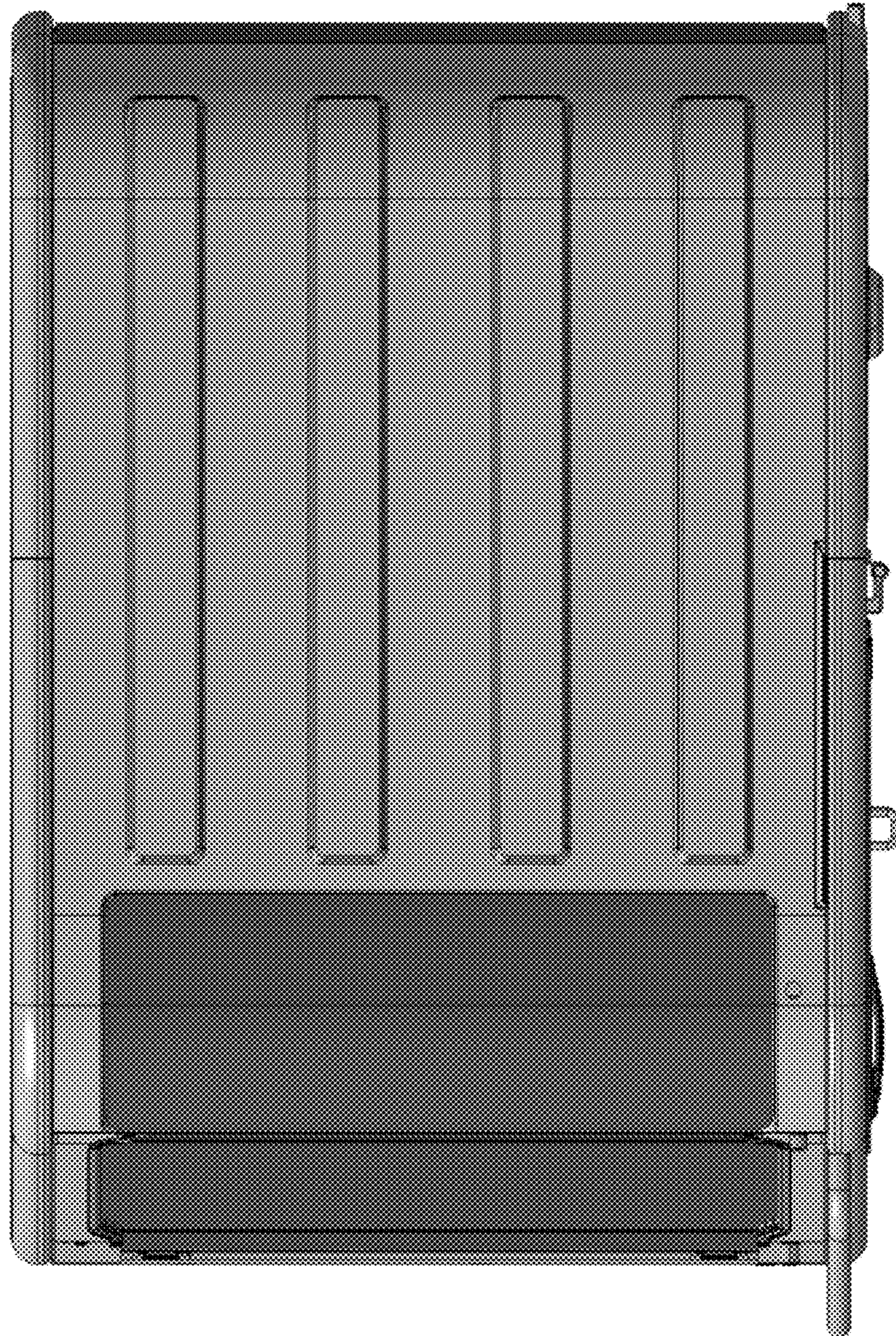


FIG. 6