



US00D780230S

(12) **United States Design Patent**
Kinzenbaw et al.

(10) **Patent No.:** **US D780,230 S**
(45) **Date of Patent:** **** Feb. 28, 2017**

(54) **SADDLE FERTILIZER TANK HOLDER**

(71) Applicant: **Kinze Manufacturing, Inc.,**
Williamsburg, IA (US)

(72) Inventors: **Jon Kinzenbaw**, Williamsburg, IA
(US); **Robert Blackwell**, Coralville, IA
(US); **Riley Lind**, North Liberty, IA
(US)

(73) Assignee: **Kinze Manufacturing, Inc.,**
Williamsburg, IA (US)

(**) Term: **14 Years**

(21) Appl. No.: **29/524,228**

(22) Filed: **Apr. 17, 2015**

(51) **LOC (10) Cl.** **15-03**

(52) **U.S. Cl.**
USPC **D15/27**

(58) **Field of Classification Search**
USPC D15/10, 11, 27-29, 13, 17, 21, 32, 33;
172/579, 311, 568, 612, 468, 637, 662,
172/684.5, 689, 551, 576, 565, 455, 518,
172/527, 567, 586, 142, 152, 154, 181,
172/196, 442, 440, 441, 314, 548, 454,
172/583, 140, 776, 22, 145-147, 175,
172/669, 452, 2-11
CPC A01B 49/02; A01B 49/027; A01B 23/00;
A01B 23/04; A01B 21/083; A01B 21/00;
A01B 21/08

See application file for complete search history.

(56) **References Cited**

U.S. PATENT DOCUMENTS

D28,747 S * 5/1898 Davis et al. D15/33
D28,814 S * 6/1898 Sharp D15/33
D140,591 S * 3/1945 Hollmann et al. 37/97
D156,362 S * 12/1949 Mork D15/33
D201,756 S * 7/1965 Abbott D15/33
D237,528 S * 11/1975 Fisher et al. 172/776

D237,529 S * 11/1975 Fisher et al. 172/776
D251,562 S * 4/1979 Hansen D15/11
D267,320 S * 12/1982 Symonds 171/71
4,463,811 A * 8/1984 Winter A01B 69/004
172/26
D281,881 S * 12/1985 Swartzendruber D15/11
D284,669 S * 7/1986 Clark D15/28
5,038,981 A * 8/1991 McDaniel B60R 9/06
224/512
5,046,664 A * 9/1991 van der Lely A01C 17/005
239/661
5,517,932 A * 5/1996 Ott A01C 5/068
111/166
D476,999 S * 7/2003 Truan D15/28
6,752,328 B2 * 6/2004 Sauls A01C 7/08
239/175
6,802,441 B1 * 10/2004 DuRant B60R 9/065
224/513
D527,028 S * 8/2006 Ford D12/162

(Continued)

Primary Examiner — Mark Goodwin

(74) *Attorney, Agent, or Firm* — McKee, Voorhees &
Sease, PLC

(57) **CLAIM**

We claim the ornamental design for a saddle fertilizer tank holder, as shown and described.

DESCRIPTION

FIG. 1 is a perspective view of a saddler fertilizer tank holder.

FIG. 2 is a top plan view of the saddle fertilizer tank holder.

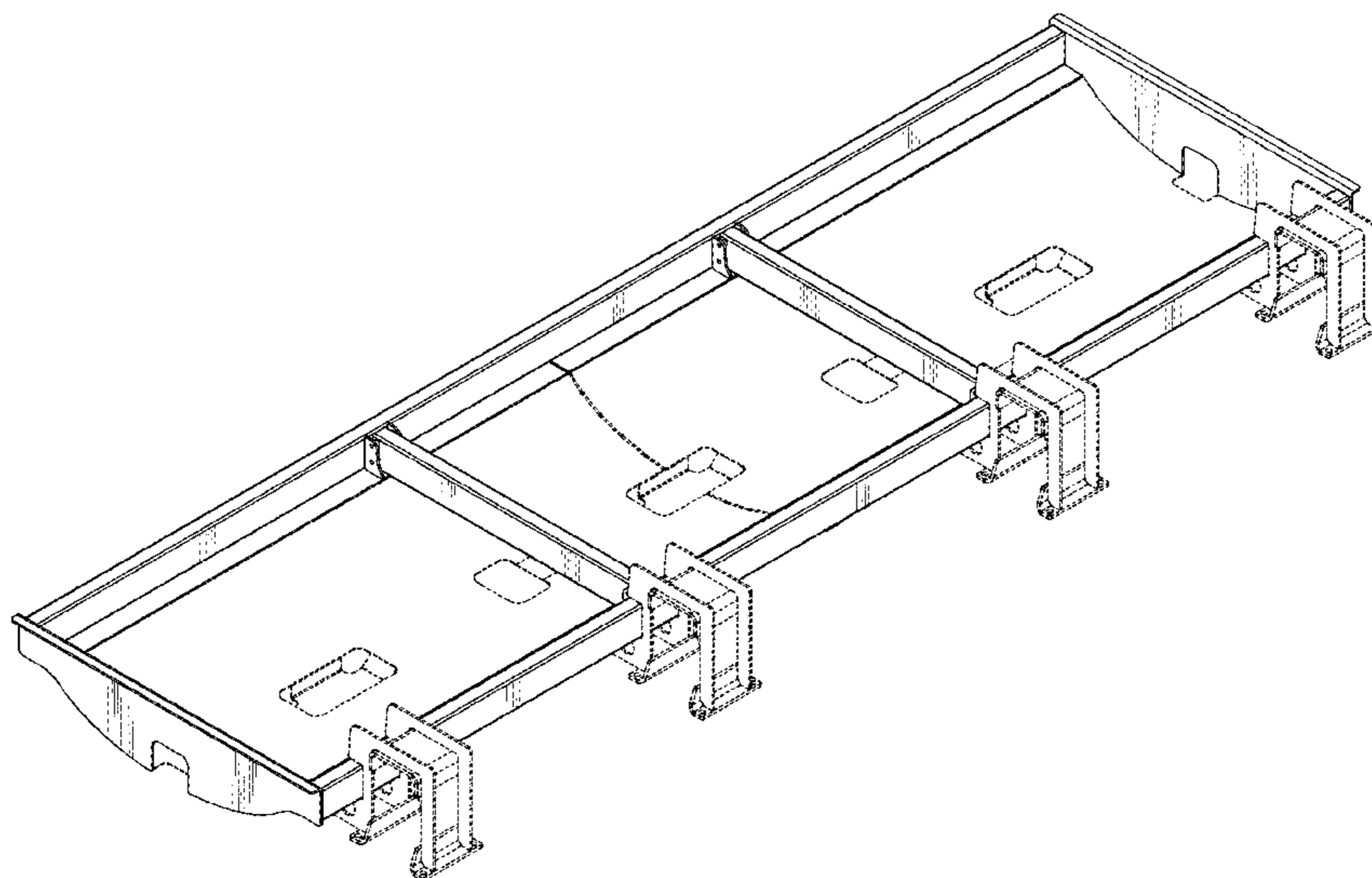
FIG. 3 is a bottom plan view of the saddle fertilizer tank holder; and,

FIG. 4 is a front elevation view of the saddle fertilizer tank holder.

Any portion of the claim not shown in the drawings or described in the specification forms no part of the claimed design.

The subject matter shown in broken lines in the drawings are unclaimed features of the article in which the claimed design is embodied.

1 Claim, 4 Drawing Sheets



(56)

References Cited

U.S. PATENT DOCUMENTS

7,237,495 B2 * 7/2007 Harnetiaux A01C 7/046
111/174
D552,630 S * 10/2007 Garrison D15/27
D662,523 S * 6/2012 Goentzel D15/124
D668,687 S * 10/2012 Kromminga D15/11
D668,692 S * 10/2012 Noon D15/28
8,863,857 B2 * 10/2014 Bassett A01C 5/06
111/136
8,910,581 B2 * 12/2014 Bassett A01C 23/022
111/121
9,241,438 B2 * 1/2016 Bassett A01B 49/027
9,271,437 B2 * 3/2016 Martin A01C 7/006
D759,729 S * 6/2016 Harnetiaux D15/11
D760,299 S * 6/2016 Achten D15/11
2003/0226867 A1 * 12/2003 Knizner B60R 9/06
224/521

* cited by examiner

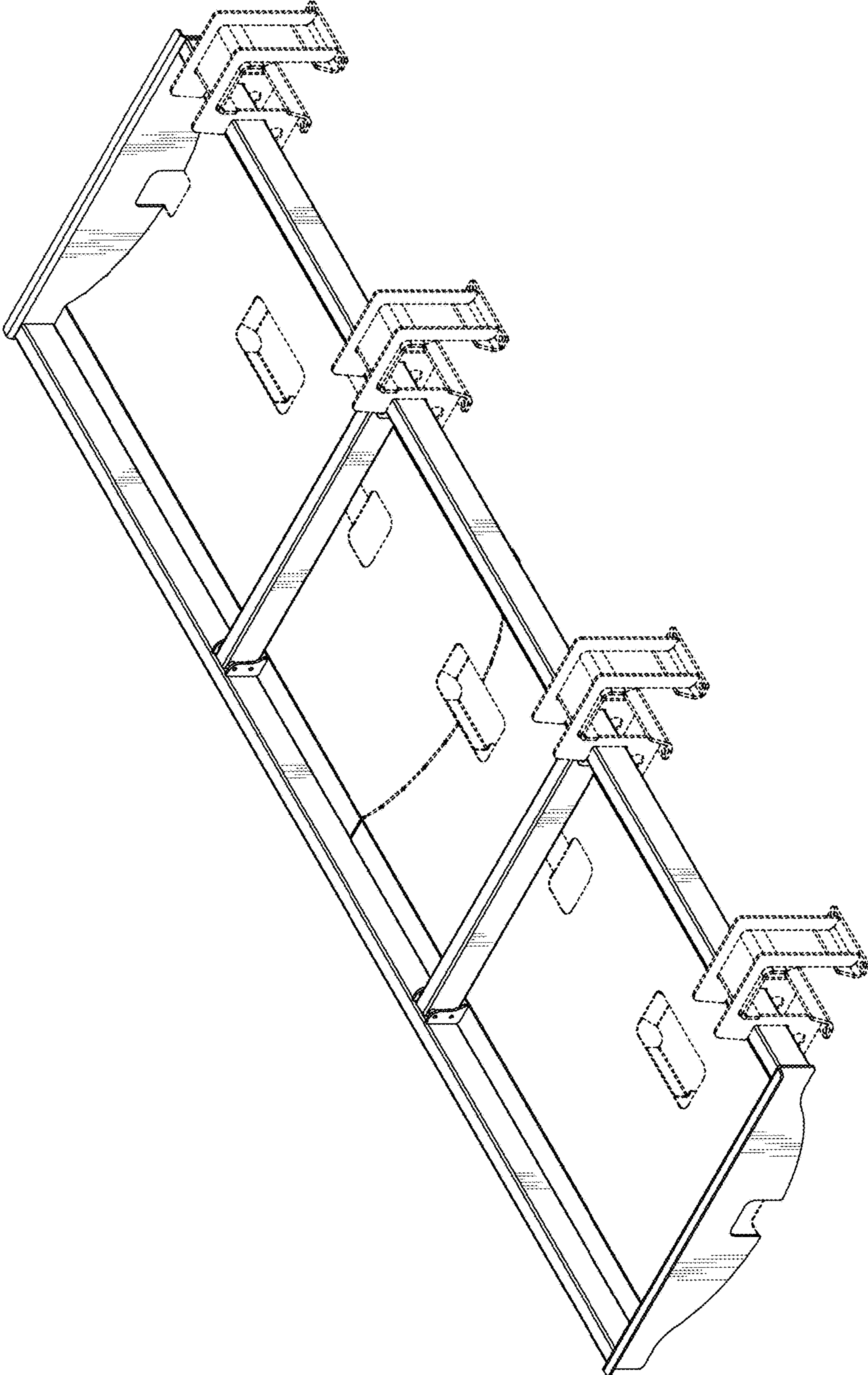


Fig. 1

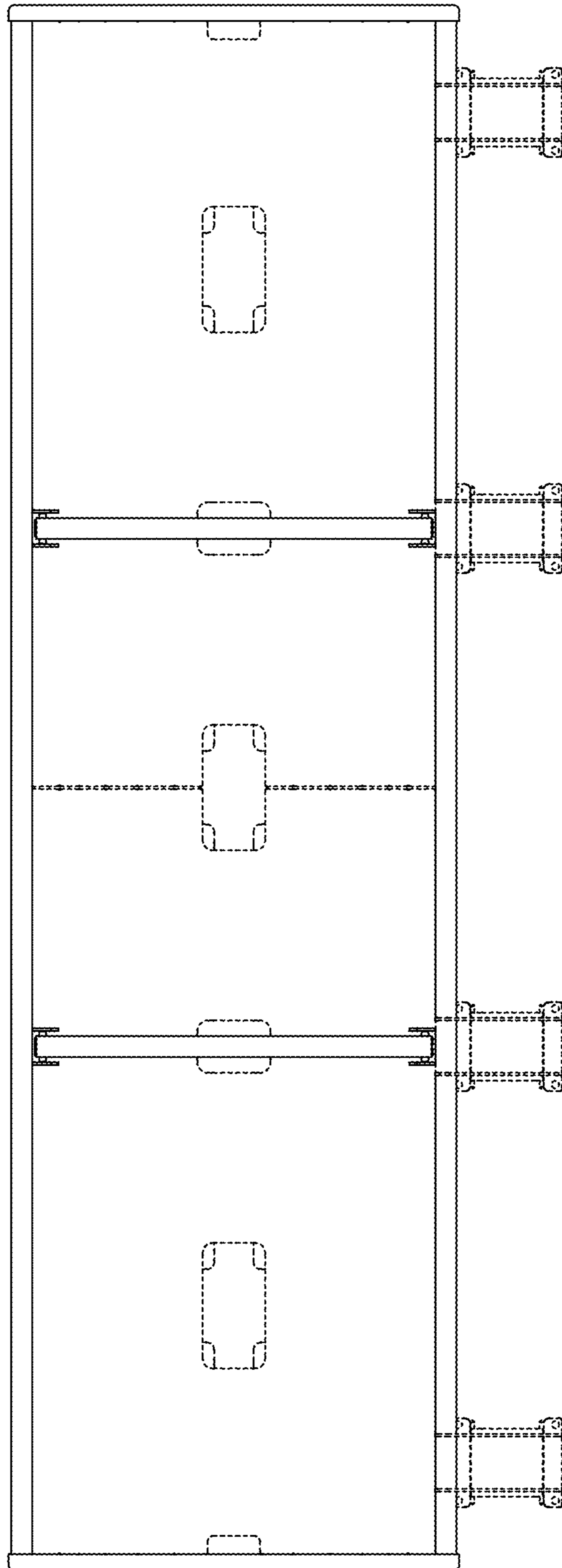


Fig. 2

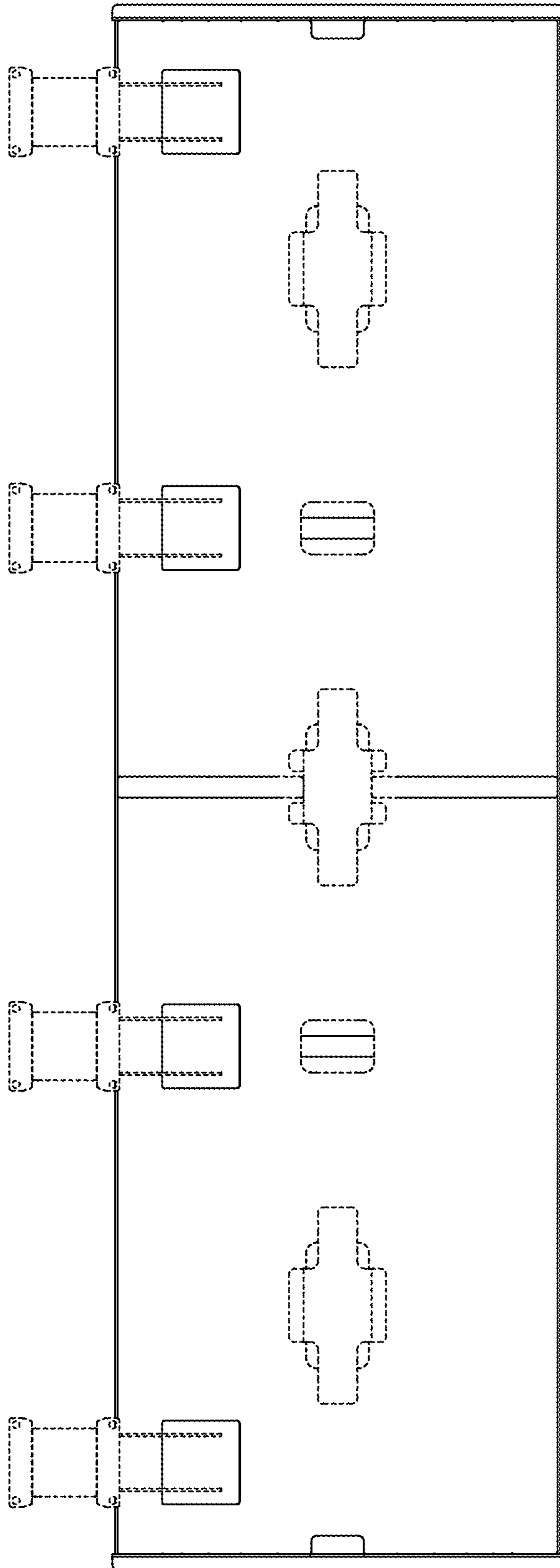


Fig. 3

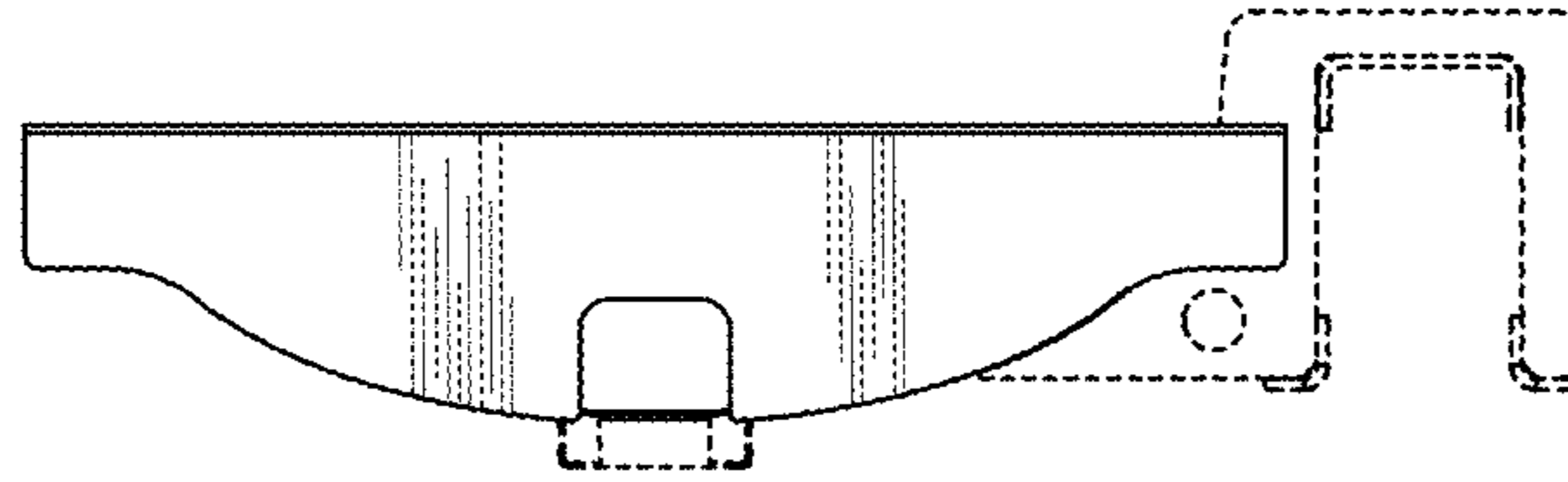


Fig. 4