



US00D780229S

(12) **United States Design Patent** (10) **Patent No.:** **US D780,229 S**
Kudo et al. (45) **Date of Patent:** **** Feb. 28, 2017**

(54) **FLUID PRESSURE CYLINDER**

D378,680 S * 4/1997 Ikumi D15/7
D380,217 S * 6/1997 Jermeay D15/5
D408,420 S * 4/1999 Buter D15/7

(71) Applicant: **SMC CORPORATION**, Tokyo (JP)

(Continued)

(72) Inventors: **Masayuki Kudo**, Tsukubamirai (JP);
Eiko Miyasato, Tsukubamirai (JP); **Yuu Mizutani**, Tsukubamirai (JP)

FOREIGN PATENT DOCUMENTS

(73) Assignee: **SMC CORPORATION**, Tokyo (JP)

JP D1200380 S 3/2004
JP D1260587 S 1/2006

(**) Term: **15 Years**

Primary Examiner — Ralf Seifert

(21) Appl. No.: **29/557,078**

(74) *Attorney, Agent, or Firm* — Birch, Stewart, Kolasch & Birch, LLP

(22) Filed: **Mar. 4, 2016**

(57) **CLAIM**

The ornamental design for a fluid pressure cylinder, as shown.

Related U.S. Application Data

DESCRIPTION

(62) Division of application No. 29/504,181, filed on Oct. 2, 2014, now Pat. No. Des. 757,120.

FIG. 1 is a top, front and left-side perspective view of a fluid pressure cylinder showing a first embodiment of our new design;

(51) **LOC (10) Cl.** **15-02**

FIG. 2 is a front view thereof;

(52) **U.S. Cl.**

FIG. 3 is a rear view thereof;

USPC **D15/7**

FIG. 4 is a top plan view thereof;

(58) **Field of Classification Search**

FIG. 5 is a bottom plan view thereof;

USPC D15/7-9, 143; D23/231, 232, 225;
417/60, 235, 265, 321, 355, 358, 363,
417/359, 410.1, 415-416, 405, 900;
60/408, 412; 184/26-37; 415/140-147;
123/495, 509

FIG. 6 is a left side view thereof;

CPC F02M 37/04; F02M 31/14; F04D 29/4286

FIG. 7 is a right side view thereof;

See application file for complete search history.

FIG. 8 is a top, front and left-side perspective view of a fluid pressure cylinder showing a second embodiment of our new design;

(56) **References Cited**

FIG. 9 is a front view of FIG. 8;

U.S. PATENT DOCUMENTS

D295,753 S * 5/1988 LaBair D15/7
D301,583 S * 6/1989 Herner D15/7
4,856,415 A 8/1989 Noda
D303,393 S * 9/1989 Stoll D15/7
D370,683 S * 6/1996 Stahlman D15/7
D378,214 S * 2/1997 Ikumi D15/143

FIG. 10 is a rear view of FIG. 8;

FIG. 11 is a top plan view of FIG. 8;

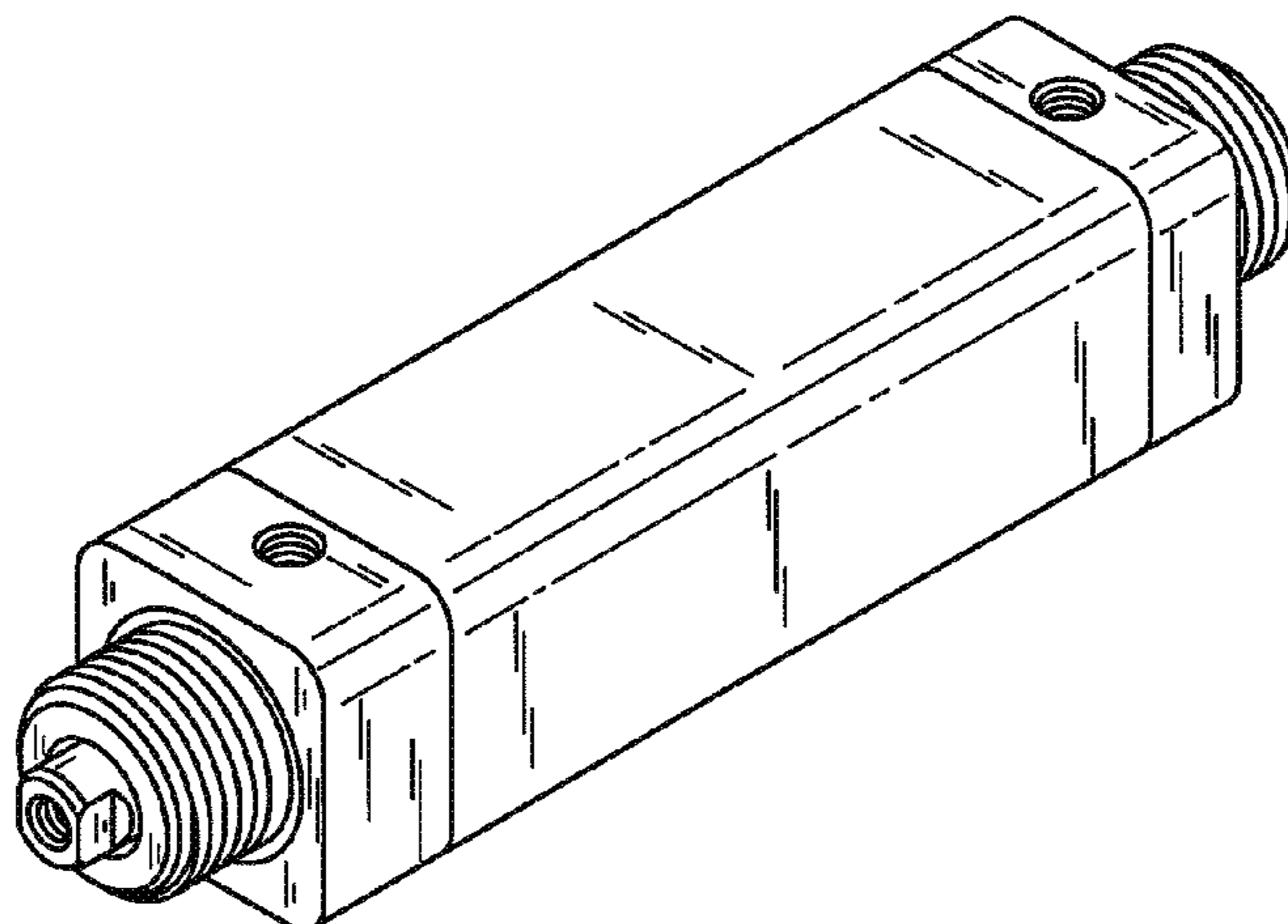
FIG. 12 is a bottom plan view of FIG. 8;

FIG. 13 is a left side view of FIG. 8; and,

FIG. 14 is a right side view of FIG. 8.

The broken lines are included for the purpose of illustrating portions of the fluid pressure cylinder that form no part of the claimed design.

1 Claim, 14 Drawing Sheets



(56)

References Cited

U.S. PATENT DOCUMENTS

D417,457	S	*	12/1999	Asahara	D15/7
D420,683	S	*	2/2000	Suzuki	D15/7
D428,617	S	*	7/2000	Hariwara	D15/7
D643,855	S	*	8/2011	Taniguchi	D15/7
D643,856	S	*	8/2011	Taniguchi	D15/7
D669,097	S	*	10/2012	Hariwara	D15/7
D669,098	S	*	10/2012	Hariwara	D15/7
D682,901	S	*	5/2013	Peschel	D15/143
D699,759	S	*	2/2014	Peschel	D15/7
D699,760	S	*	2/2014	Peschel	D15/7
D699,761	S	*	2/2014	Peschel	D15/7
D702,261	S	*	4/2014	Landers	D15/7
D730,407	S	*	5/2015	Mauchle	D15/7
D757,120	S	*	5/2016	Kudo	D15/7
D760,805	S	*	7/2016	Monden	D15/7

* cited by examiner

FIG. 1

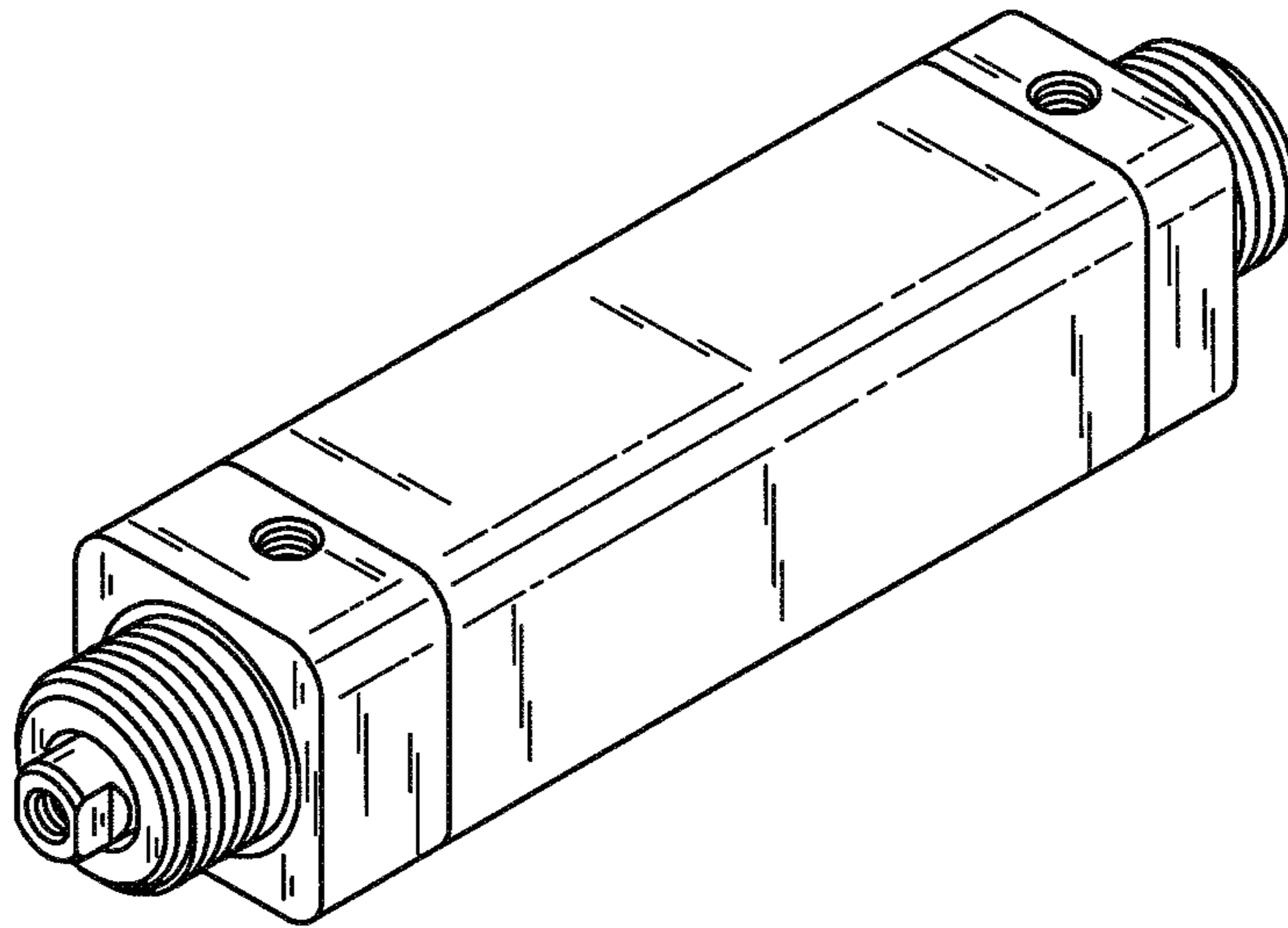


FIG. 2

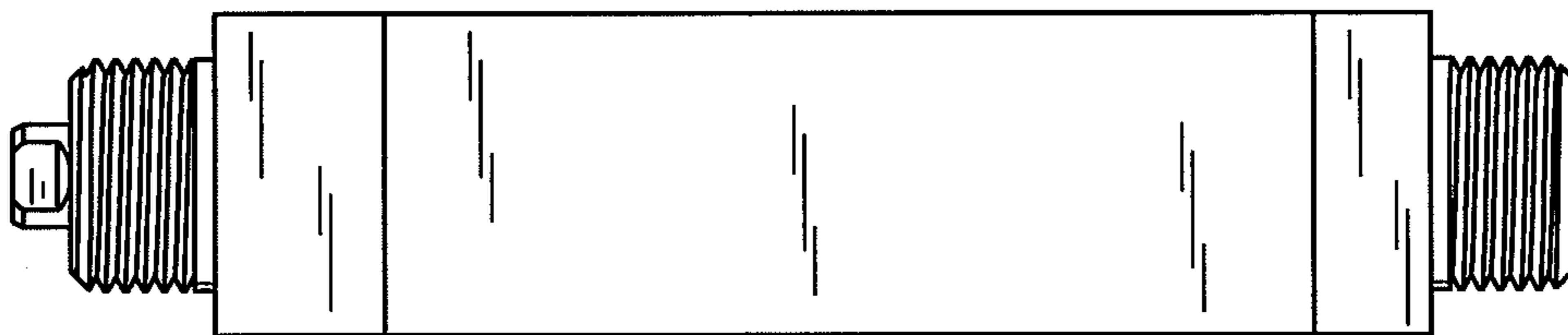


FIG. 3

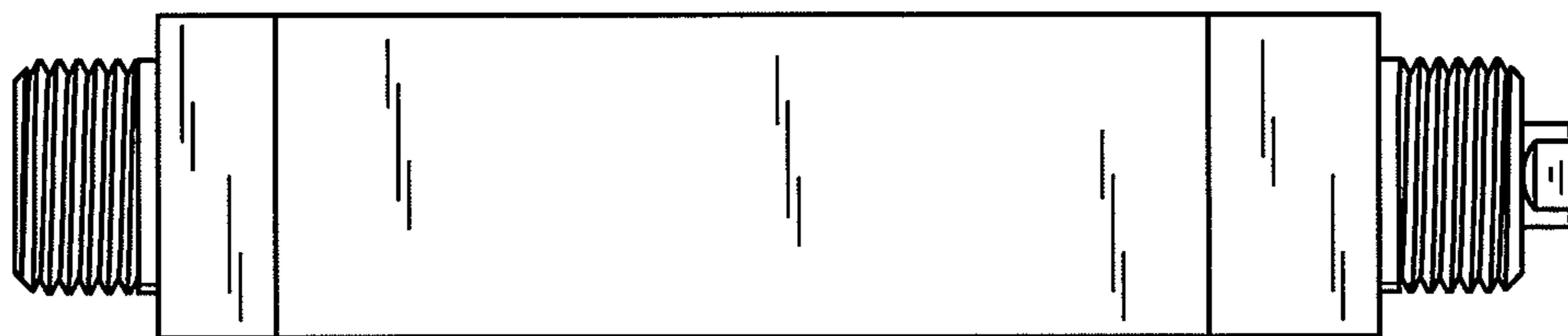


FIG. 4

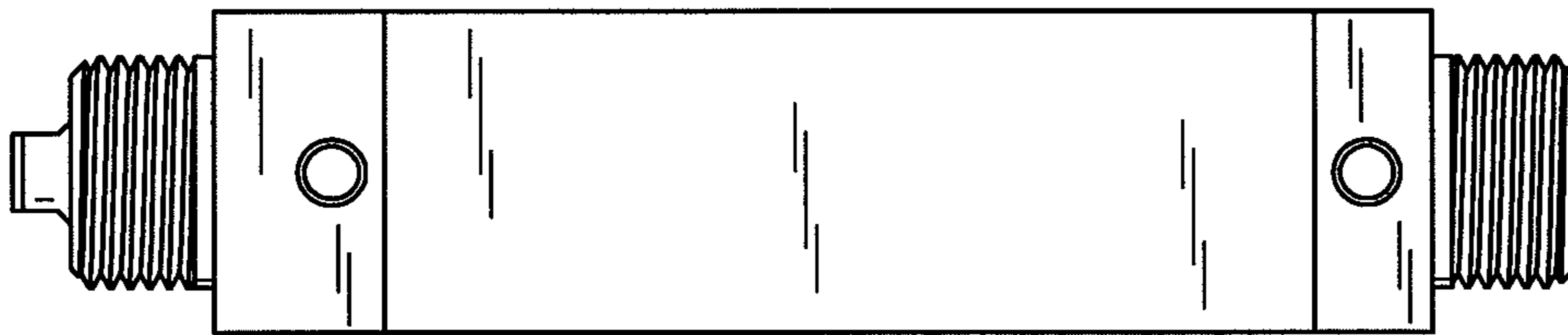


FIG. 5

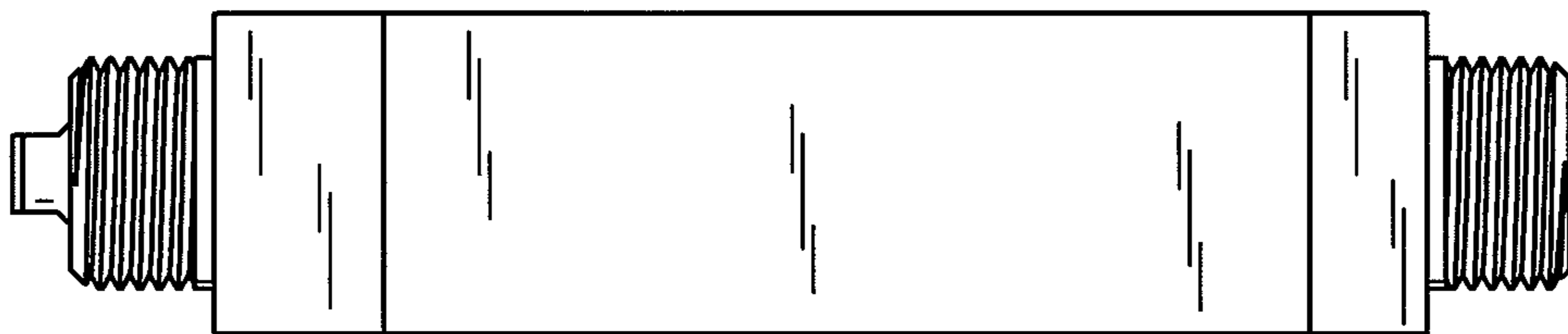


FIG. 6

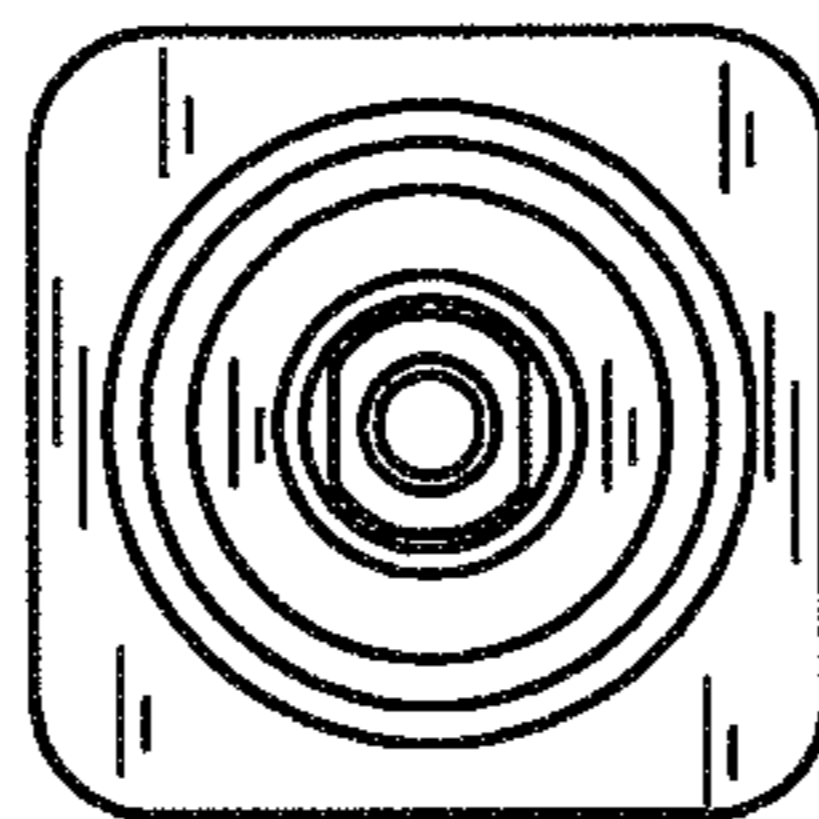


FIG. 7

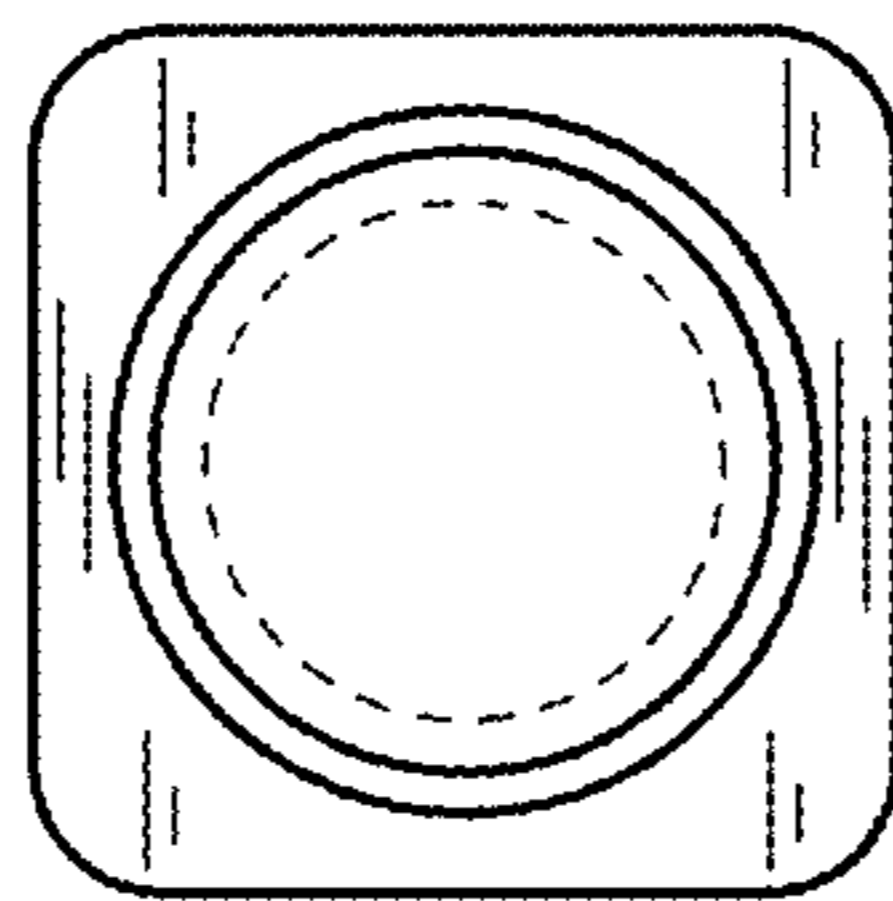


FIG. 8

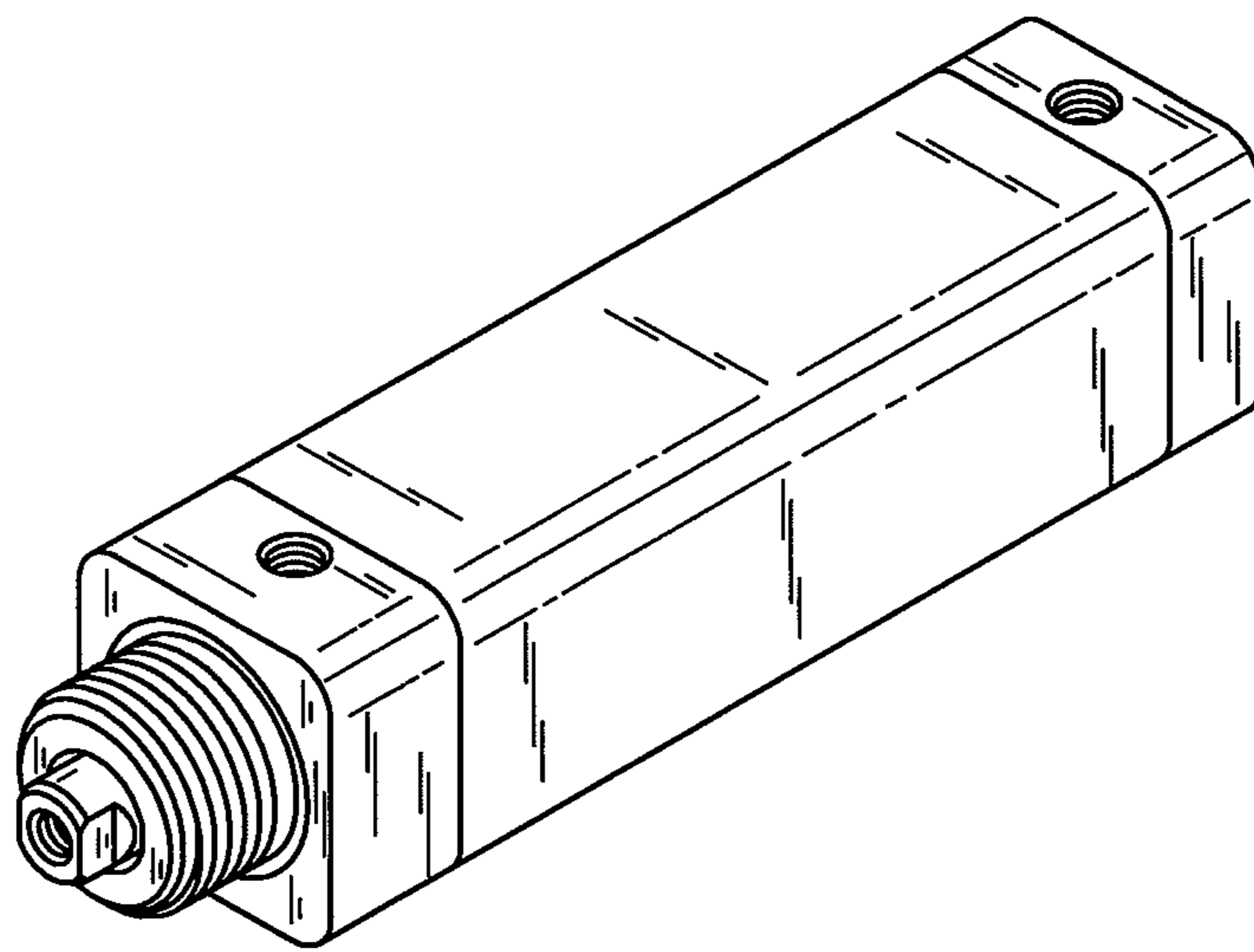


FIG. 9

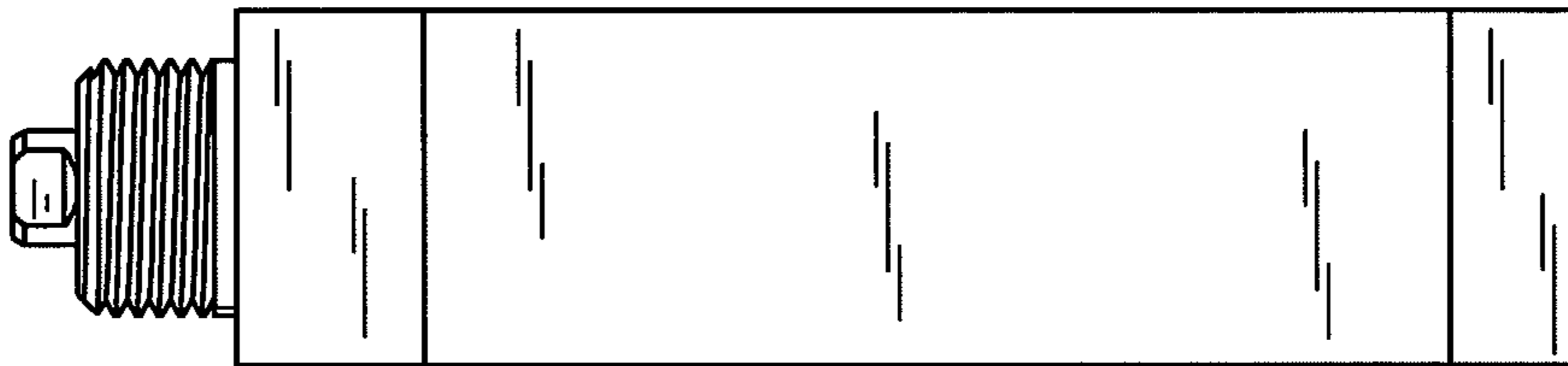


FIG. 10

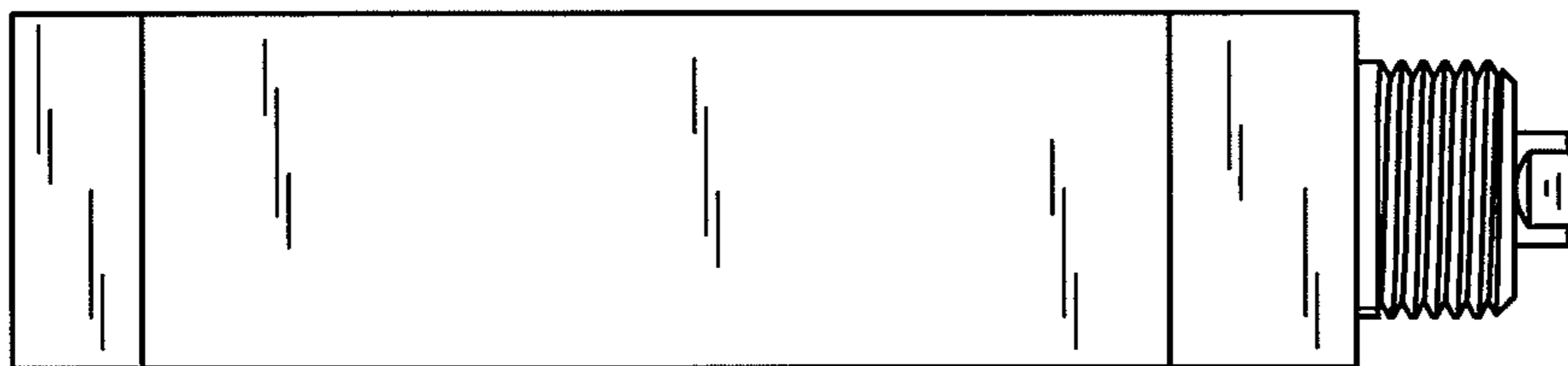


FIG. 11

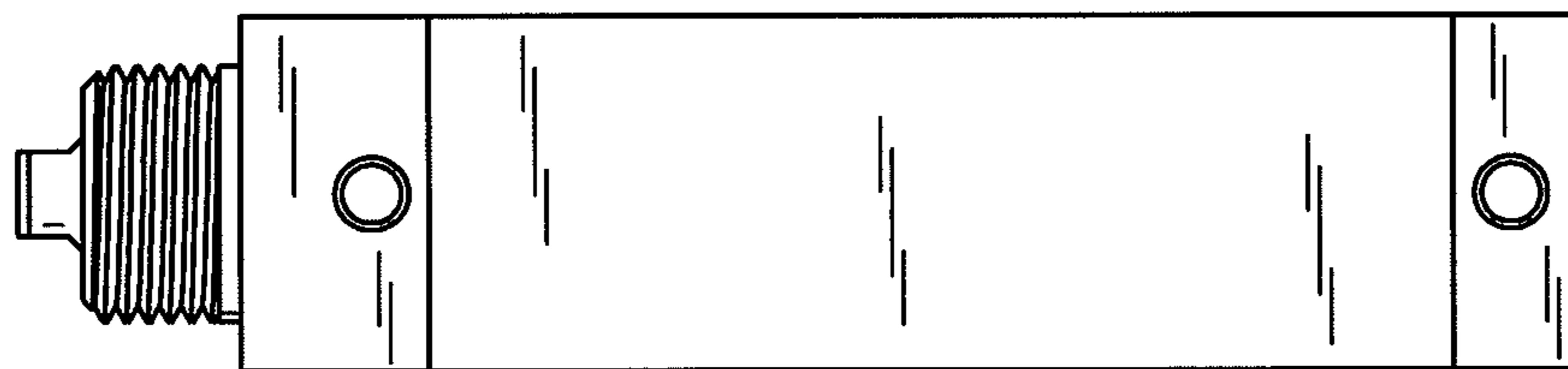


FIG. 12

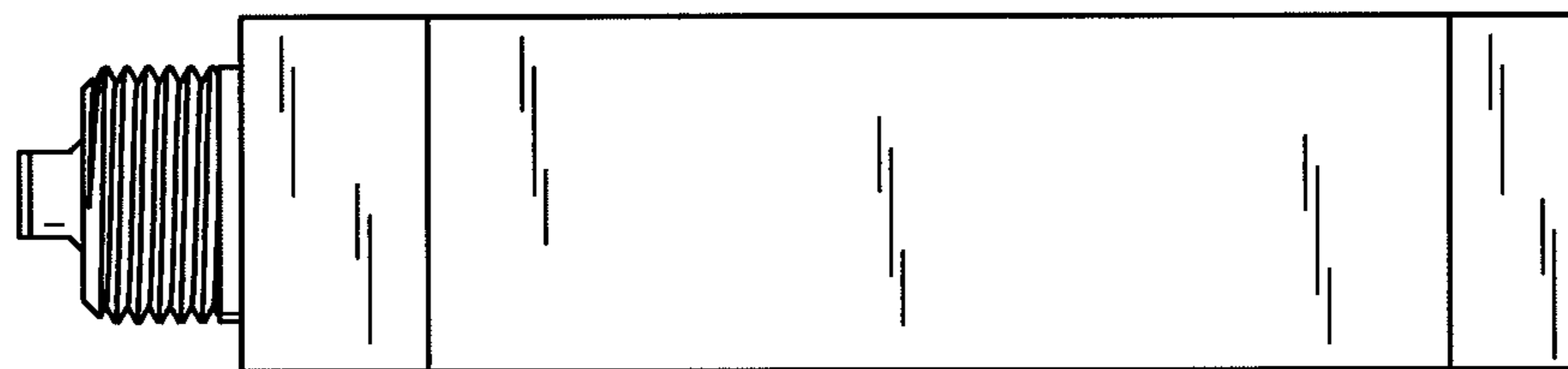


FIG. 13

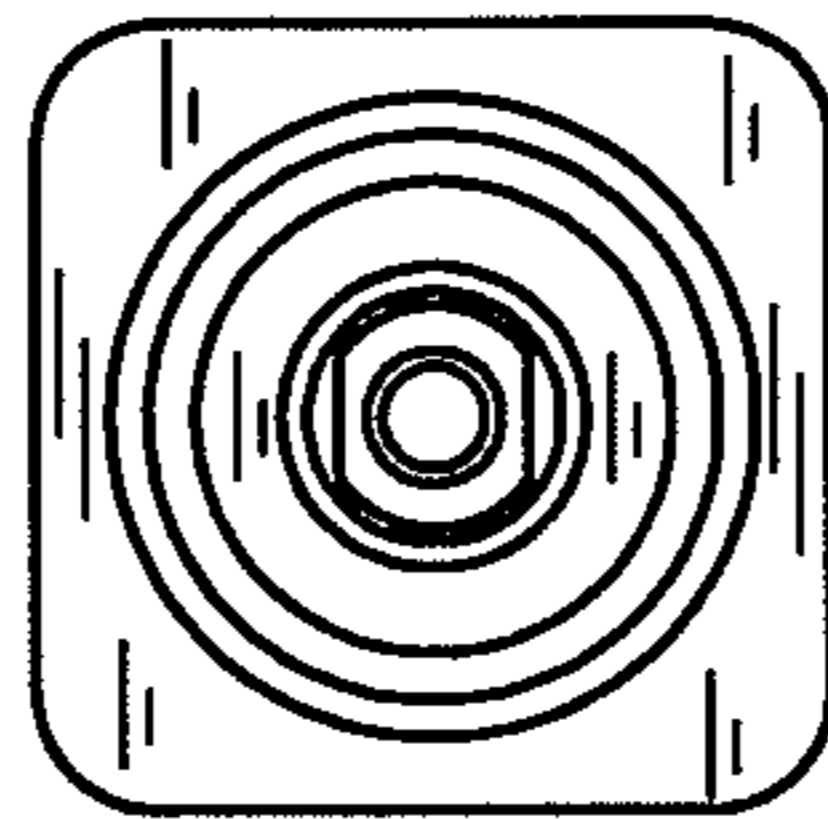


FIG. 14

